



US00D550793S

(12) **United States Design Patent**
Rogers et al.

(10) **Patent No.:** **US D550,793 S**
(45) **Date of Patent:** **** Sep. 11, 2007**

(54) **WEIGHTLIFTING RACK**

(75) Inventors: **Orley David Rogers**, Sanford, MI (US); **John Steven York, Jr.**, Midland, MI (US); **Kenneth Edward Staten**, Clare, MI (US); **Zachary Jason Loucks**, Mount Pleasant, MI (US); **Timothy John Hockemeyer**, Midland, MI (US)

(73) Assignee: **Rogers Athletic Company**, Clare, MI (US)

(**) Term: **14 Years**

(21) Appl. No.: **29/251,303**

(22) Filed: **Jan. 5, 2006**

(51) **LOC (8) Cl.** **21-02**

(52) **U.S. Cl.** **D21/694**

(58) **Field of Classification Search** D21/662,
D21/674, 675, 676, 694, 686, 690, 691; 482/95,
482/96, 97, 104, 129, 130, 136, 137, 138,
482/133, 98, 142

See application file for complete search history.

(56) **References Cited**

U.S. PATENT DOCUMENTS

4,750,739	A *	6/1988	Lange	482/104
4,861,024	A	8/1989	Lee		
5,184,992	A *	2/1993	Banks	482/104
5,215,510	A	6/1993	Baran		
D358,623	S *	5/1995	Macasieb	D21/691

5,669,859	A *	9/1997	Liggett et al.	482/94
D408,480	S *	4/1999	Haugo	D21/691
D444,827	S	7/2001	Mobley		
D454,930	S *	3/2002	Novak	D21/686
6,605,023	B1	8/2003	Mobley		
6,623,407	B2	9/2003	Novak et al.		
6,623,409	B1 *	9/2003	Abelbeck	482/104
6,669,607	B2	12/2003	Slawinski et al.		
6,746,379	B1 *	6/2004	Brawner	482/104
6,926,649	B2 *	8/2005	Slawinski	482/104

* cited by examiner

Primary Examiner—Phillip Hyder

(74) *Attorney, Agent, or Firm*—Carlson, Gaskey & Olds

(57) **CLAIM**

We claim the ornamental design for the weightlifting rack, as shown and described.

DESCRIPTION

FIG. 1 is a perspective view of the invention.

FIG. 2 is an enlarged perspective view of a fragment of the weightlifting rack.

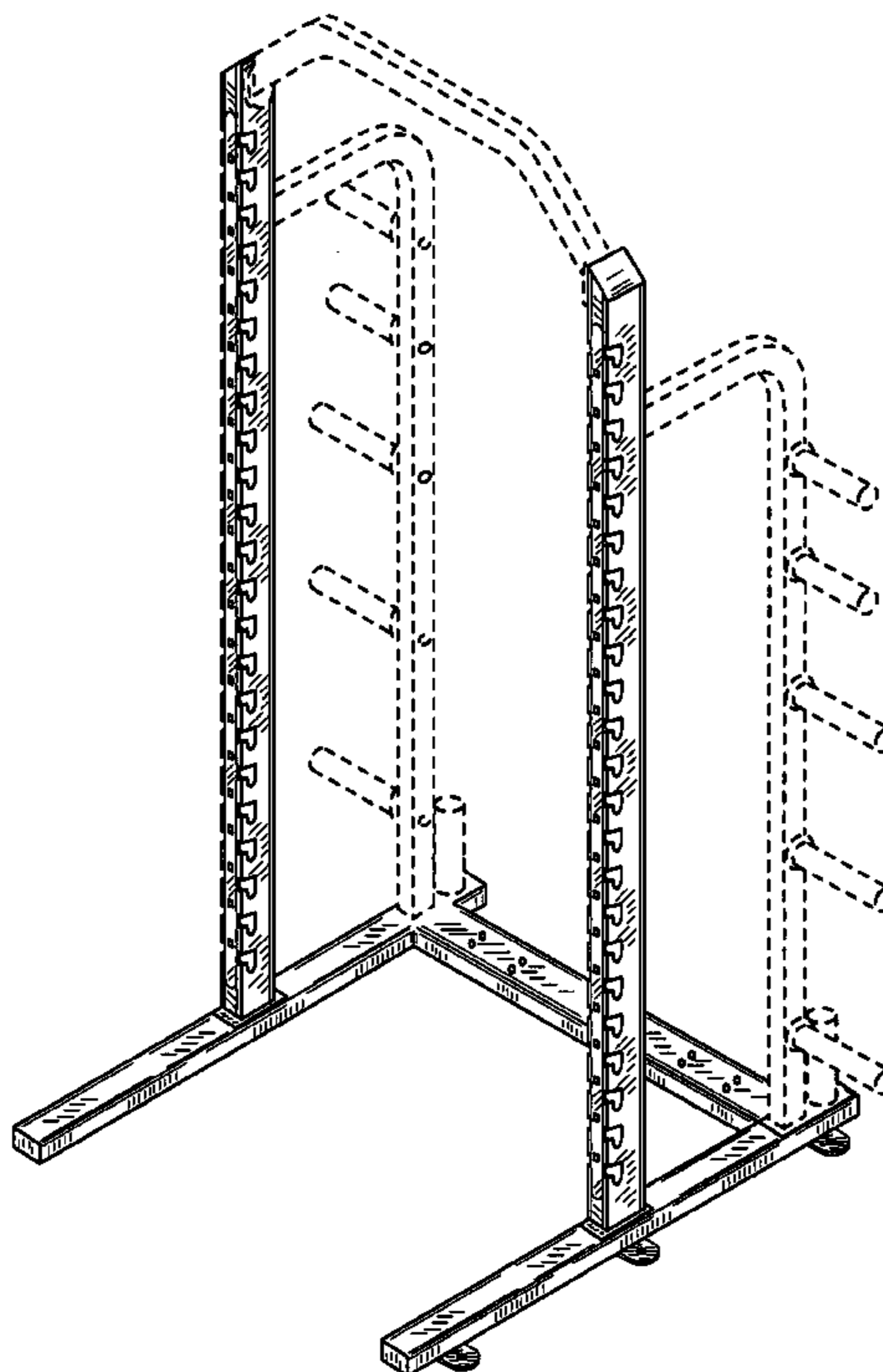
FIG. 3 is a side view of the invention.

FIG. 4 is a top view of the invention; and,

FIG. 5 is a front view of the invention.

The broken line portions of the weightlifting rack are included for the purpose of illustrating environmental structure and form no part of the claimed design.

1 Claim, 5 Drawing Sheets



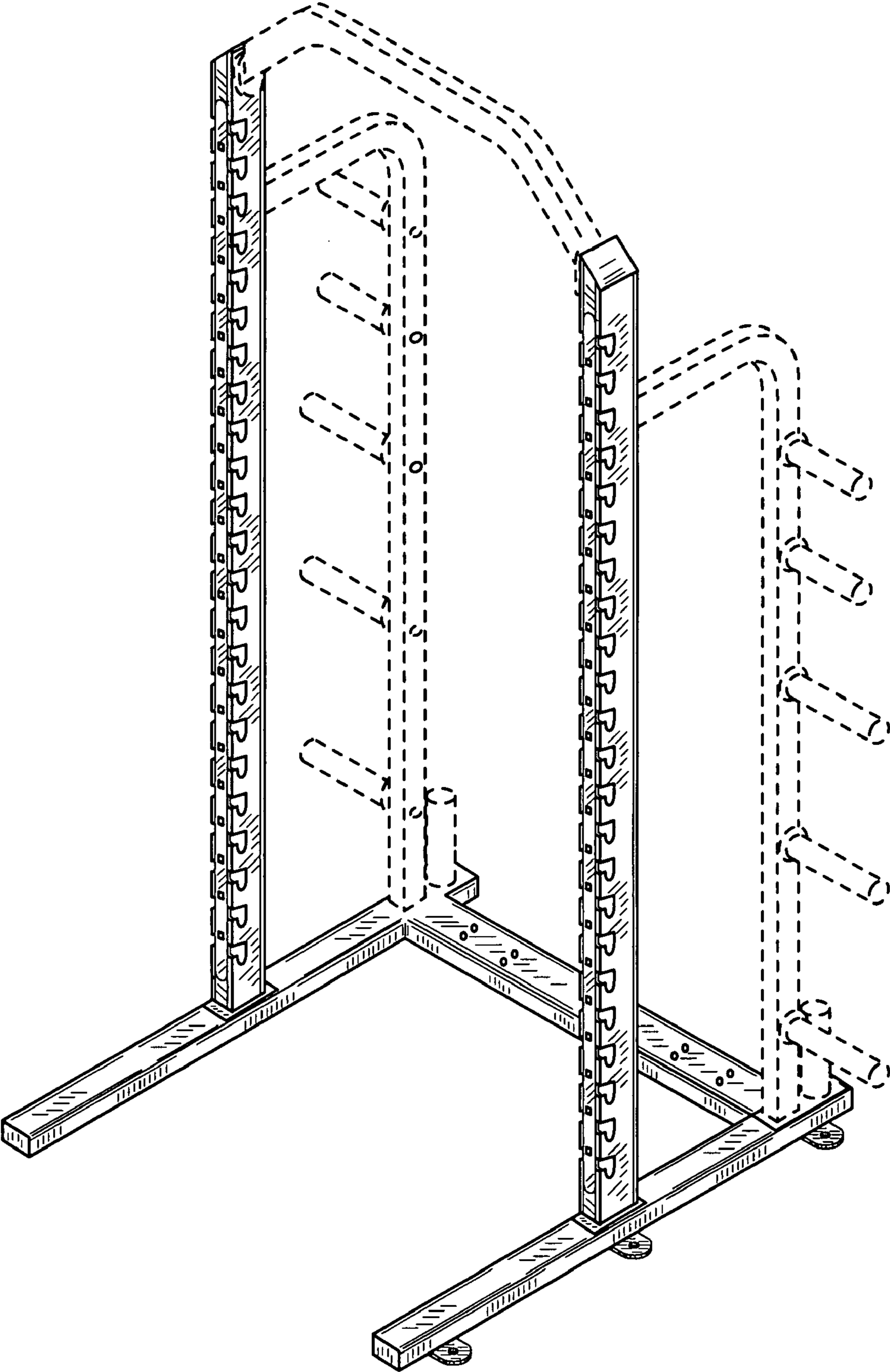


FIG. 1

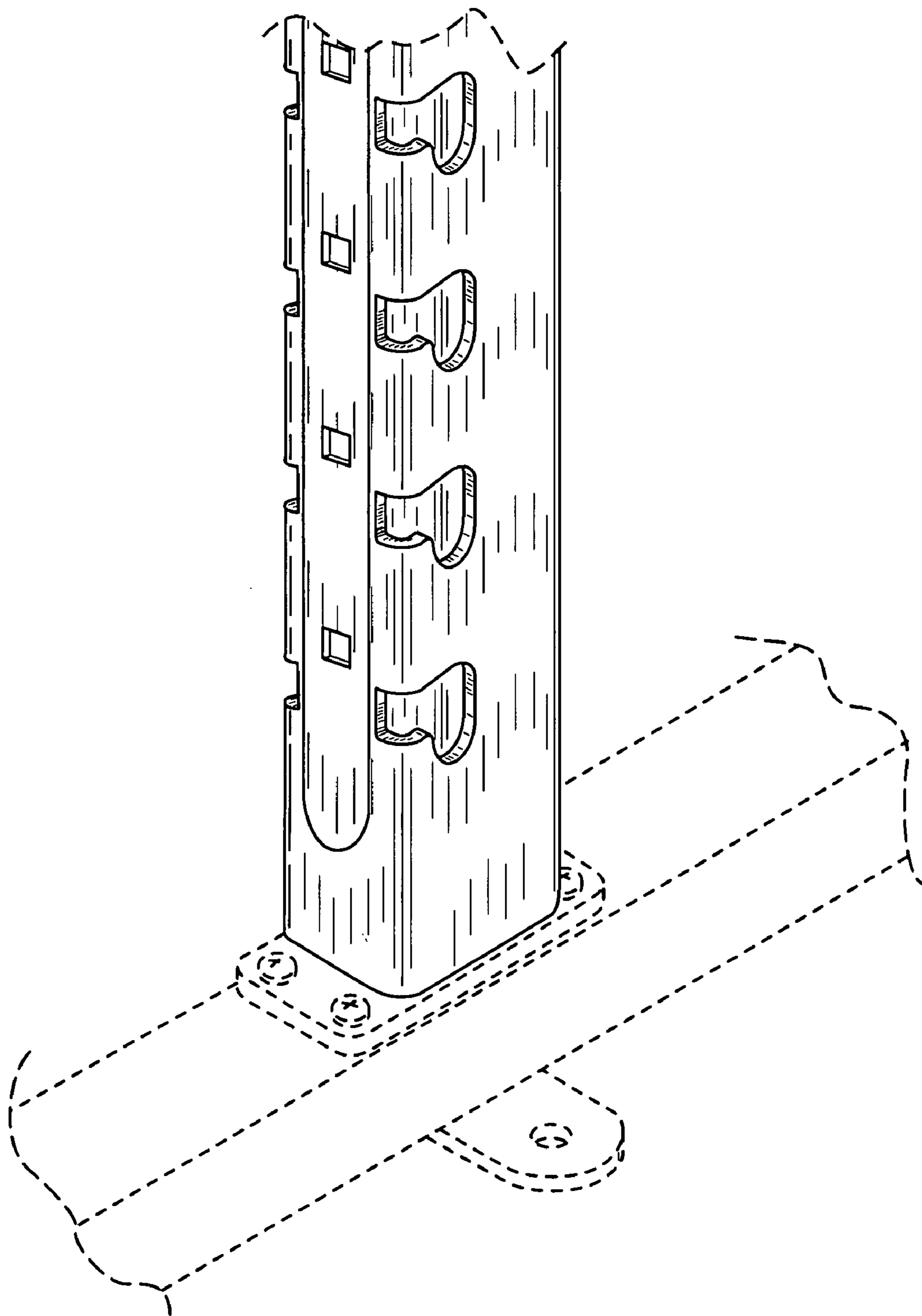


FIG. 2

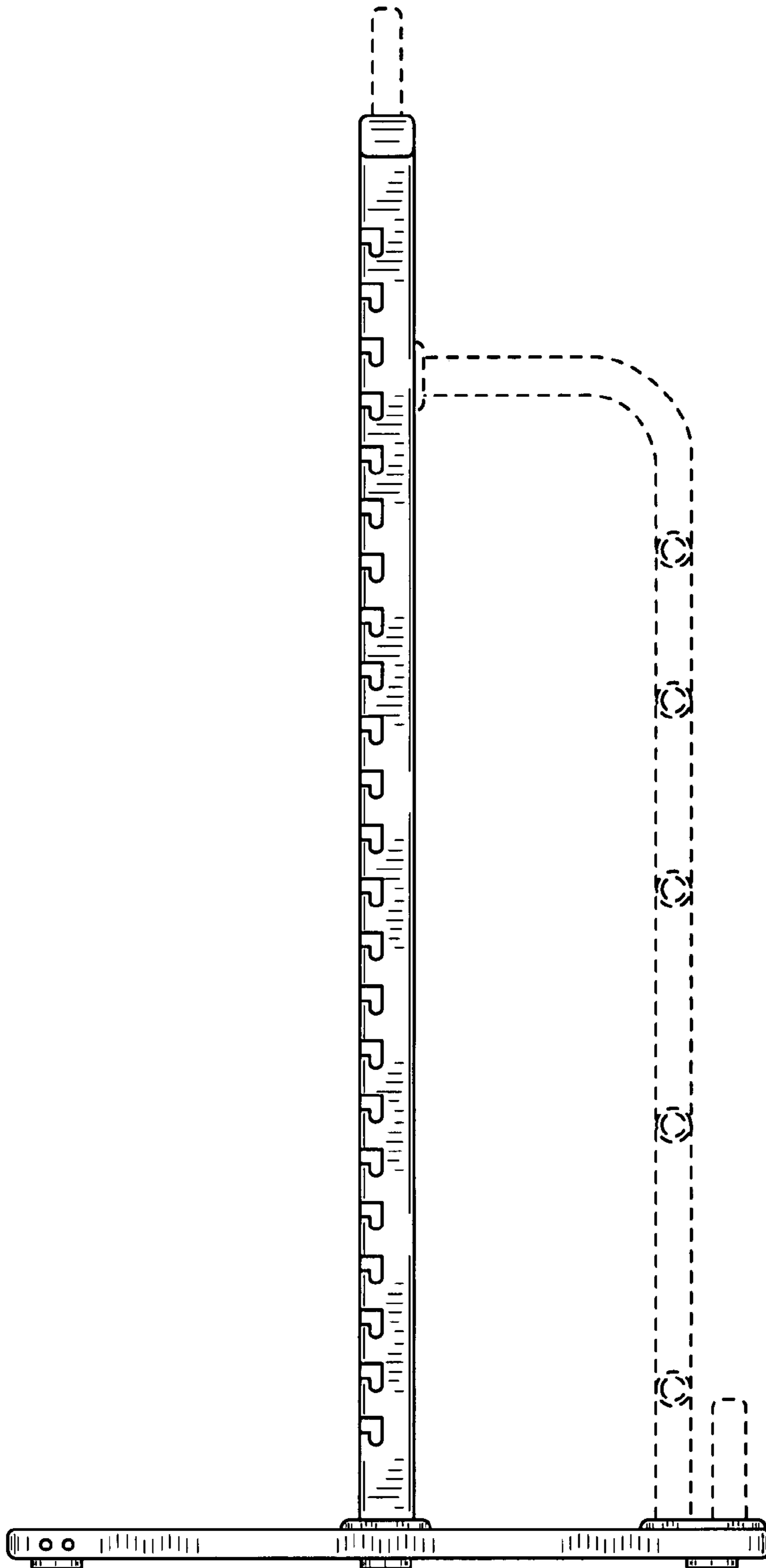


FIG. 3

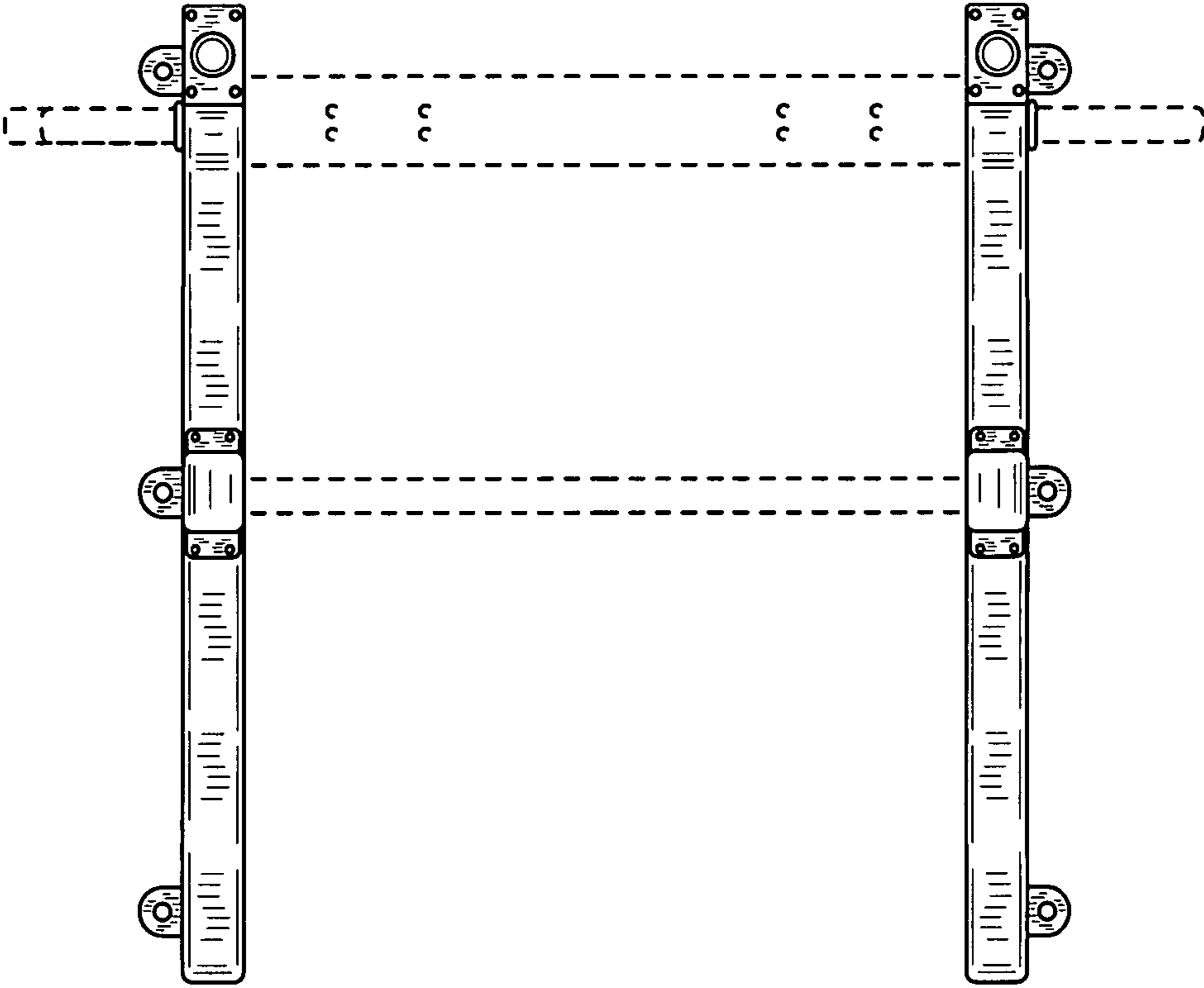


FIG. 4

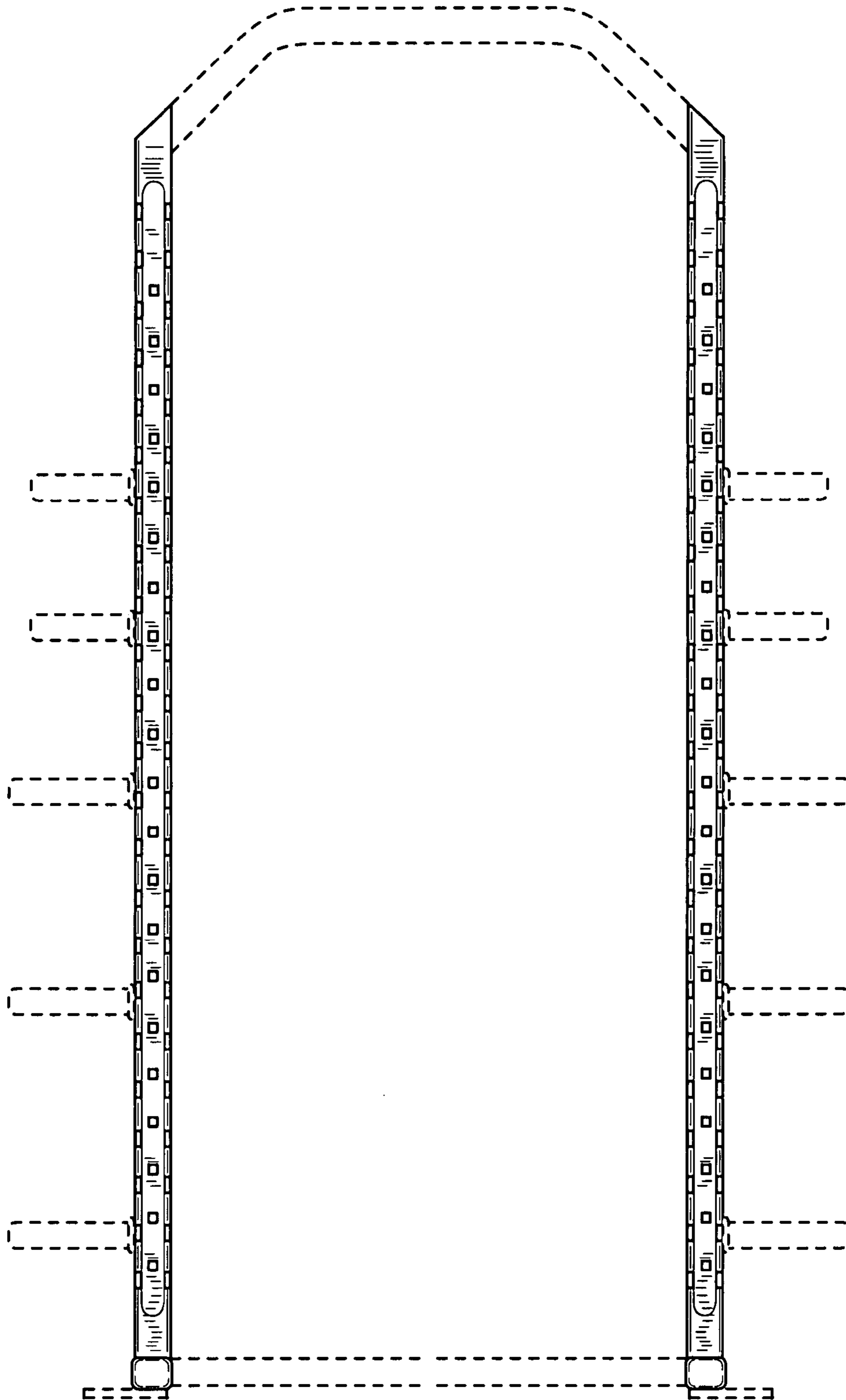


FIG. 5