



US00D550790S

(12) **United States Design Patent**
Staten

(10) **Patent No.:** **US D550,790 S**

(45) **Date of Patent:** **** Sep. 11, 2007**

(54) **PAD FOR AN EXERCISE APPARATUS**

(75) Inventor: **Kenneth Edward Staten**, Clare, MI
(US)

(73) Assignee: **Rogers Athletic Company**, Clare, MI
(US)

(**) Term: **14 Years**

(21) Appl. No.: **29/251,248**

(22) Filed: **Jan. 5, 2006**

(51) **LOC (8) Cl.** **21-02**

(52) **U.S. Cl.** **D21/694**

(58) **Field of Classification Search** D21/662,
D21/674, 675, 676, 694, 686, 690, 695; 482/95,
482/96, 97, 104, 129, 130, 136, 137, 138,
482/133, 98, 142; D24/183; D6/502, 349,
D6/355, 352

See application file for complete search history.

(56) **References Cited**

U.S. PATENT DOCUMENTS

4,861,024	A	8/1989	Lee	
4,898,381	A *	2/1990	Gordon	482/103
5,215,510	A	6/1993	Baran	
5,669,859	A	9/1997	Liggett et al.	
6,244,999	B1 *	6/2001	Alessandri	482/142
D444,827	S	7/2001	Mobley	
6,309,327	B1 *	10/2001	Hallberg	482/83

6,422,980	B1 *	7/2002	Simonson	482/99
6,475,127	B1 *	11/2002	Koenig	482/142
6,605,023	B1	8/2003	Mobley	
6,623,407	B2	9/2003	Novak et al.	
6,623,409	B1	9/2003	Abelbeck	
6,669,607	B2	12/2003	Slawinski et al.	
6,685,601	B1 *	2/2004	Knapp	482/104

* cited by examiner

Primary Examiner—Philip S. Hyder

(74) *Attorney, Agent, or Firm*—Carlson, Gaskey & Olds

(57) **CLAIM**

I claim the ornamental design for the pad for an exercise apparatus, as shown and described.

DESCRIPTION

FIG. 1 is a perspective view of a pad for an exercise apparatus showing my new design;

FIG. 2 is a rear view of the pad for an exercise apparatus;

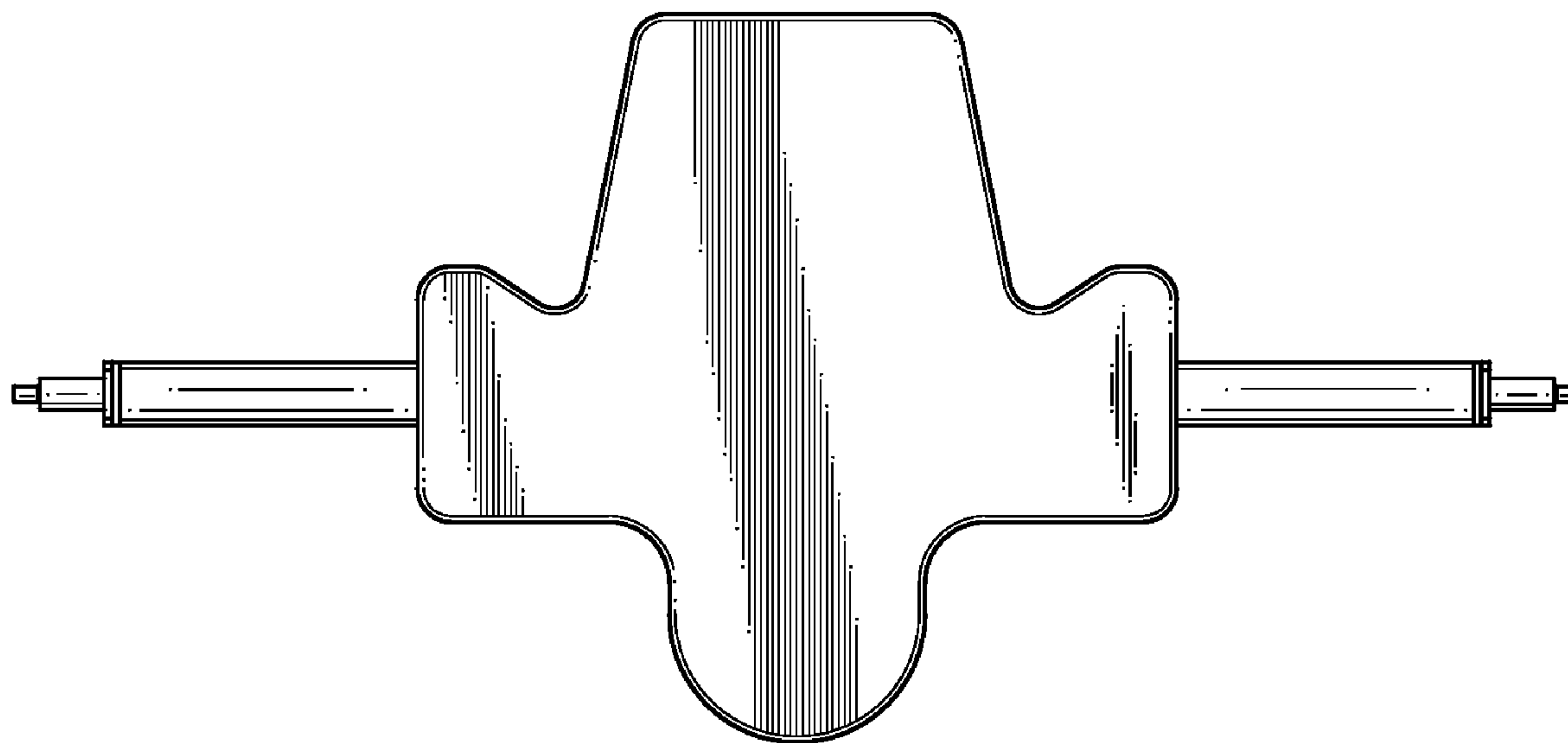
FIG. 3 is a top view of the pad for an exercise apparatus;

FIG. 4 is a front view of the pad for an exercise apparatus; and,

FIG. 5 is a side view of the pad for an exercise apparatus.

The broken line showing of the exercise apparatus in FIG. 1 is included for the purpose of illustrating environmental structure and forms no part of the claimed design.

1 Claim, 2 Drawing Sheets



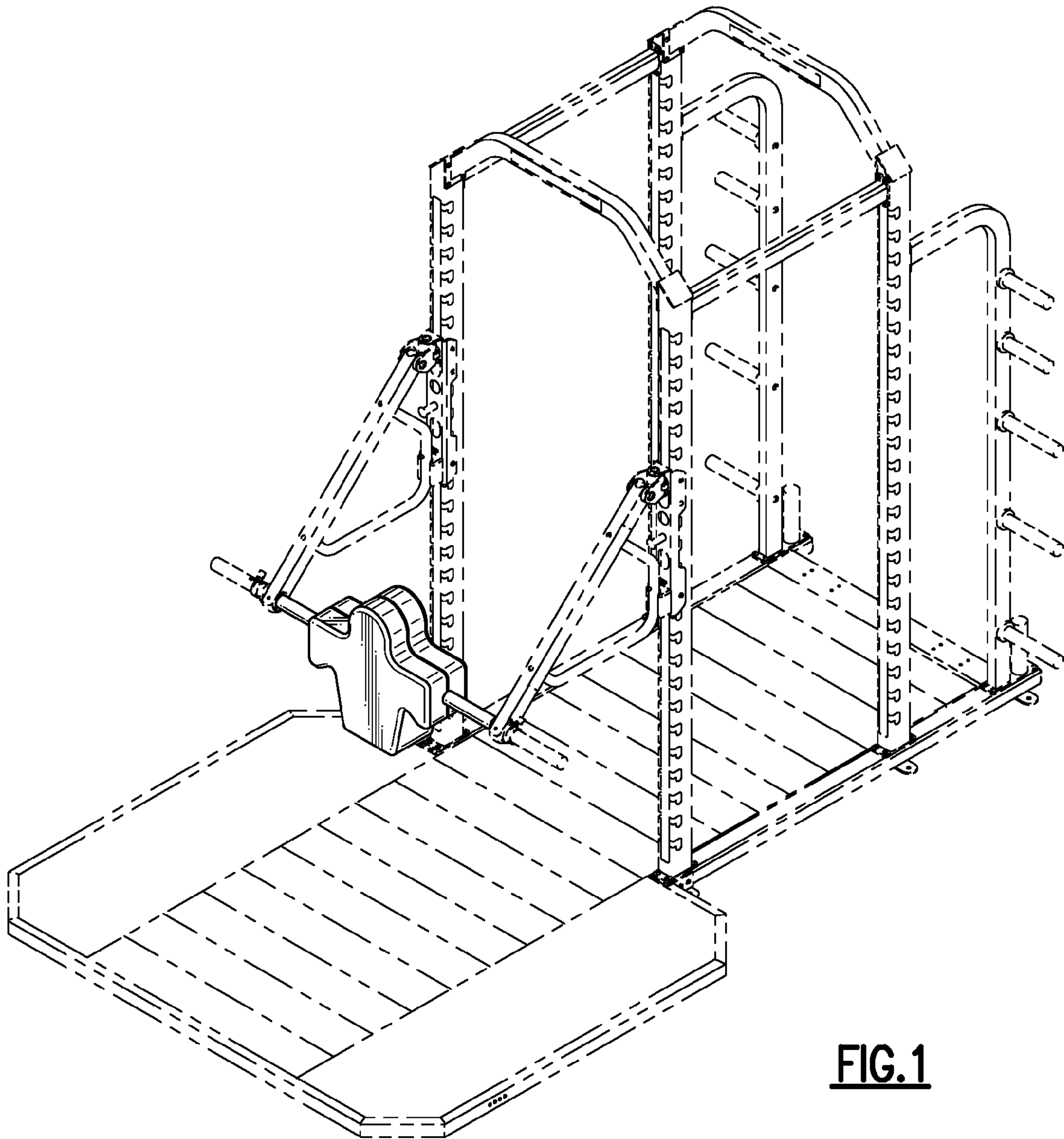


FIG. 1

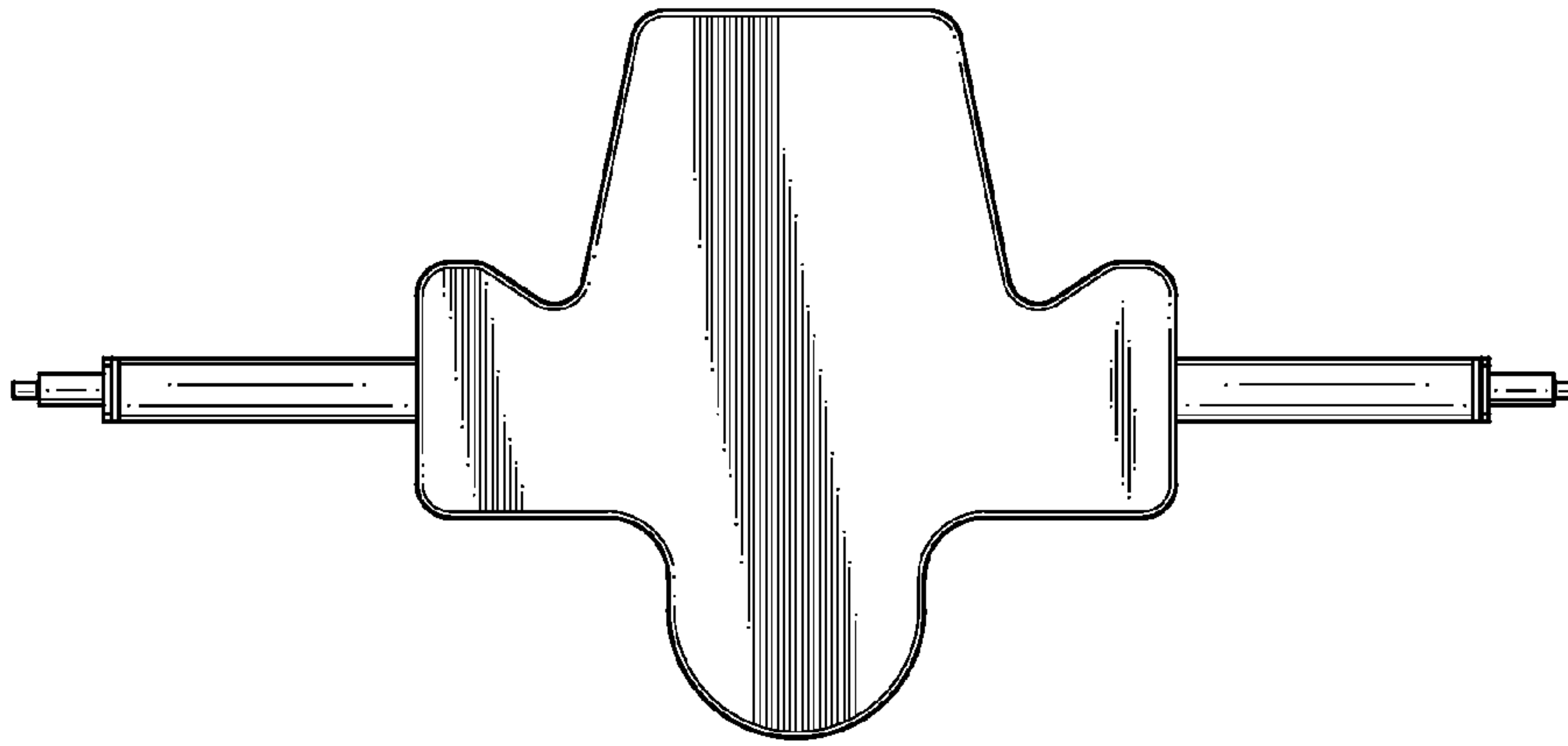


FIG.2

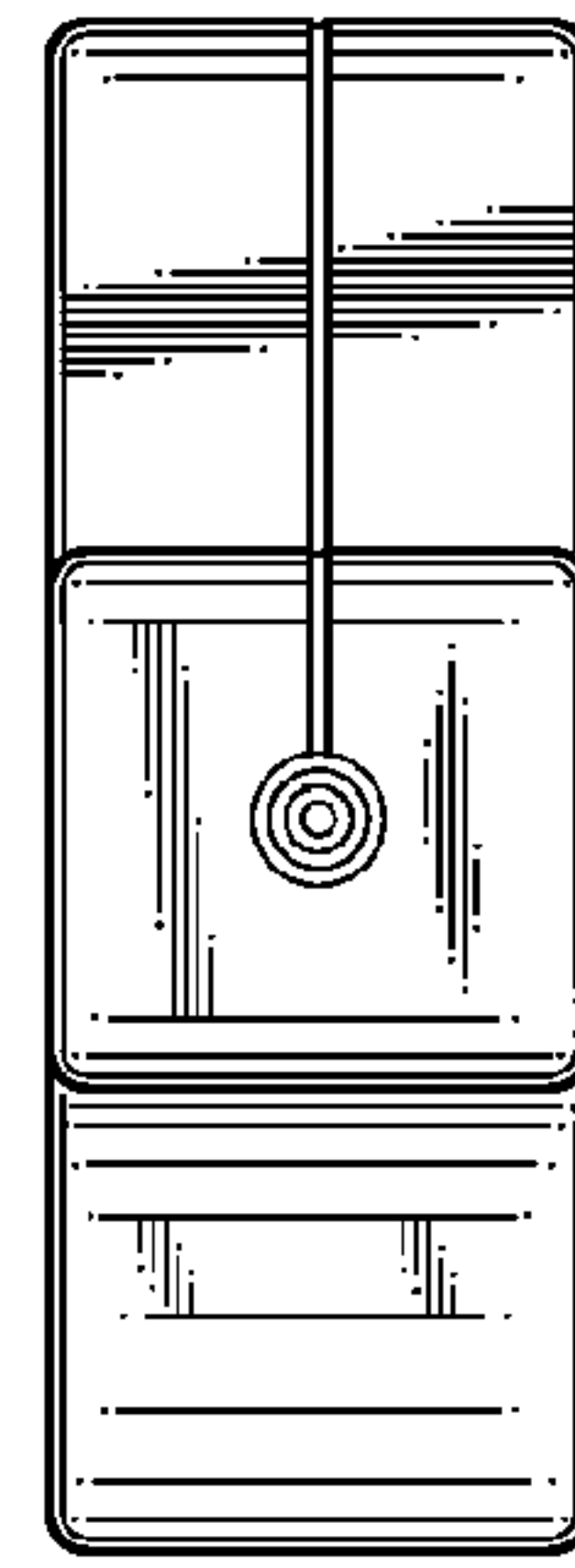


FIG.5

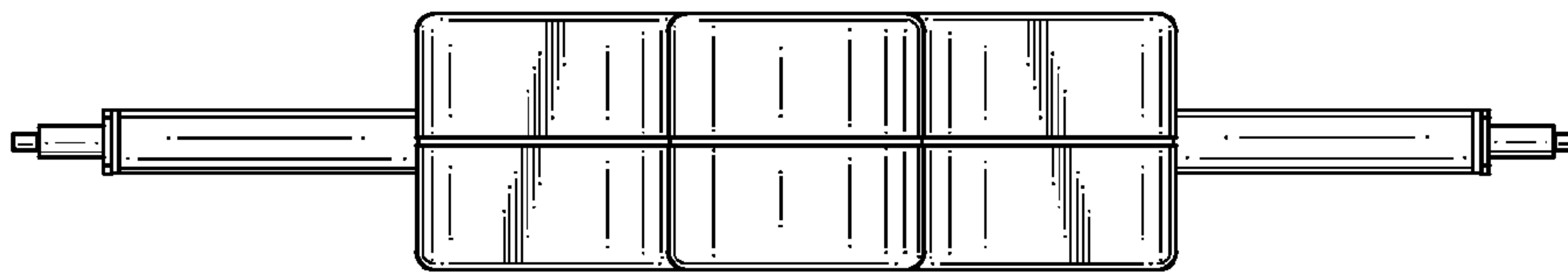


FIG.3

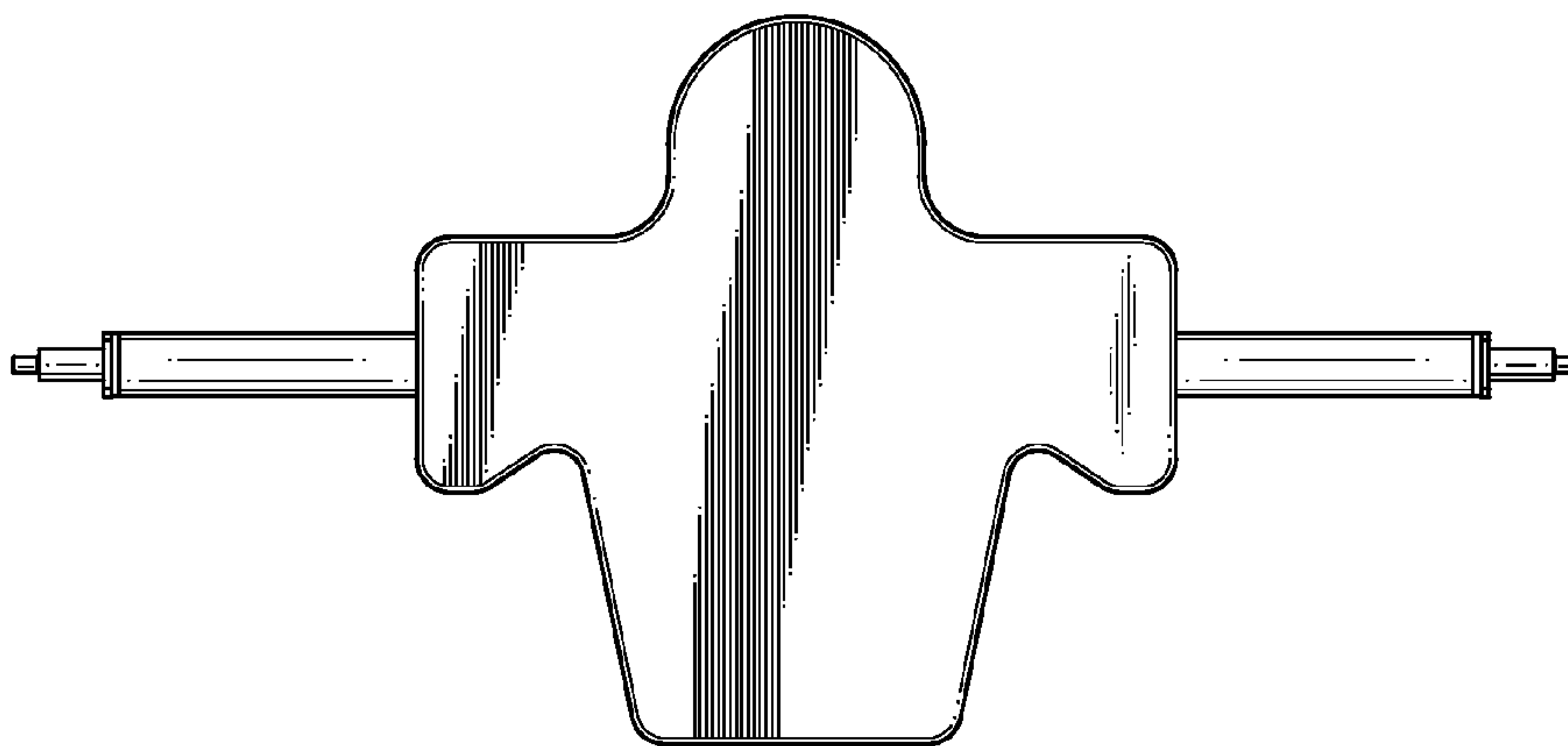


FIG.4