



US00D550785S

(12) **United States Design Patent**
Glickman et al.

(10) **Patent No.:** **US D550,785 S**

(45) **Date of Patent:** **** Sep. 11, 2007**

(54) **CONSTRUCTION TOY COMPONENT**

(75) Inventors: **Joel Glickman**, Jupiter, FL (US);
Matthias F. W. Doepner, Harleysville,
PA (US)

(73) Assignee: **K'NEX Limited Partnership Group**,
Hatfield, PA (US)

(**) Term: **14 Years**

(21) Appl. No.: **29/272,128**

(22) Filed: **Feb. 1, 2007**

(51) **LOC (8) Cl.** **21-01**

(52) **U.S. Cl.** **D21/505**

(58) **Field of Classification Search** D21/484-505;
D25/113-118; 446/69, 85, 101-128
See application file for complete search history.

(56) **References Cited**

U.S. PATENT DOCUMENTS

3,570,170	A *	3/1971	Yoshihiro	446/128
D311,939	S *	11/1990	Andersen	D21/505
D326,874	S *	6/1992	Dideriksen et al.	D21/486
D350,165	S	8/1994	Refsing		
D426,588	S *	6/2000	Glickman	D21/503

OTHER PUBLICATIONS

PEERON.COM, <http://www.peeron.com/inv/parts/41668?img=1375>, Admitted Prior Art, ("undated").

* cited by examiner

Primary Examiner—Holly H. Baynham

Assistant Examiner—Cynthia M. Chin

(74) *Attorney, Agent, or Firm*—Schweitzer Cornman Gross & Bondell LLP

(57) **CLAIM**

The ornamental design for a construction toy component, as shown and described.

DESCRIPTION

FIG. 1 is a perspective view of a first embodiment of a construction toy component;

FIG. 2 is a top plan view of the construction toy component of FIG. 1;

FIG. 3 is a side elevation view of the construction toy component of FIG. 1;

FIG. 4 is an opposite side elevation view of the construction toy component of FIG. 1;

FIG. 5 is a rear elevation view of the construction toy component of FIG. 1;

FIG. 6 is a front elevation view of the construction toy component of FIG. 1;

FIG. 7 is a perspective view of a second embodiment of a construction toy component;

FIG. 8 is a top plan view of the construction toy component of FIG. 7;

FIG. 9 is a side elevation view of the construction toy component of FIG. 7;

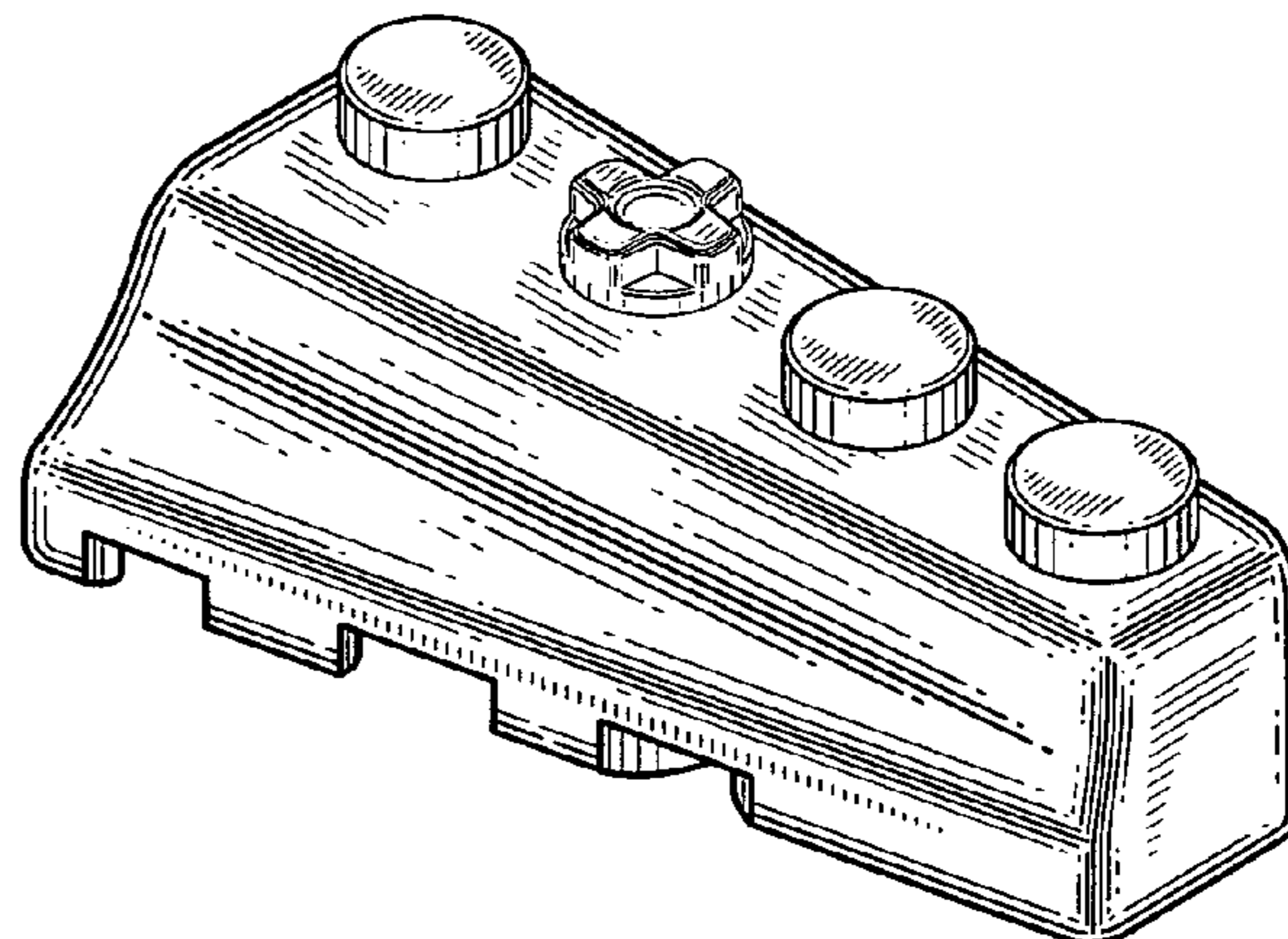
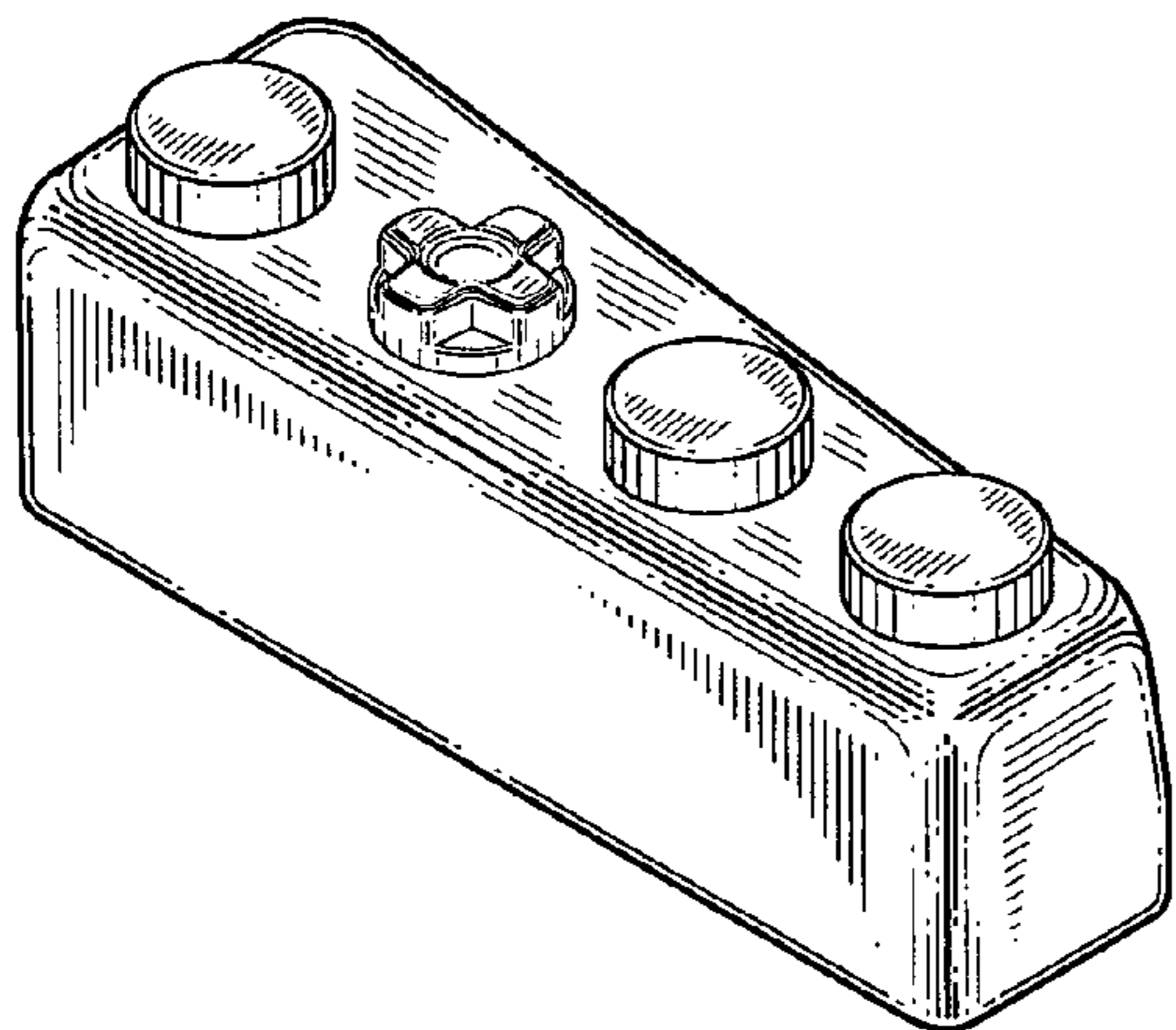
FIG. 10 is an opposite side elevation view of the construction toy component of FIG. 7;

FIG. 11 is a rear elevation view of the construction toy component of FIG. 7; and,

FIG. 12 is a front elevation view of the construction toy component of FIG. 7.

The bottom of the construction toy component forms no part of the claimed design.

1 Claim, 6 Drawing Sheets



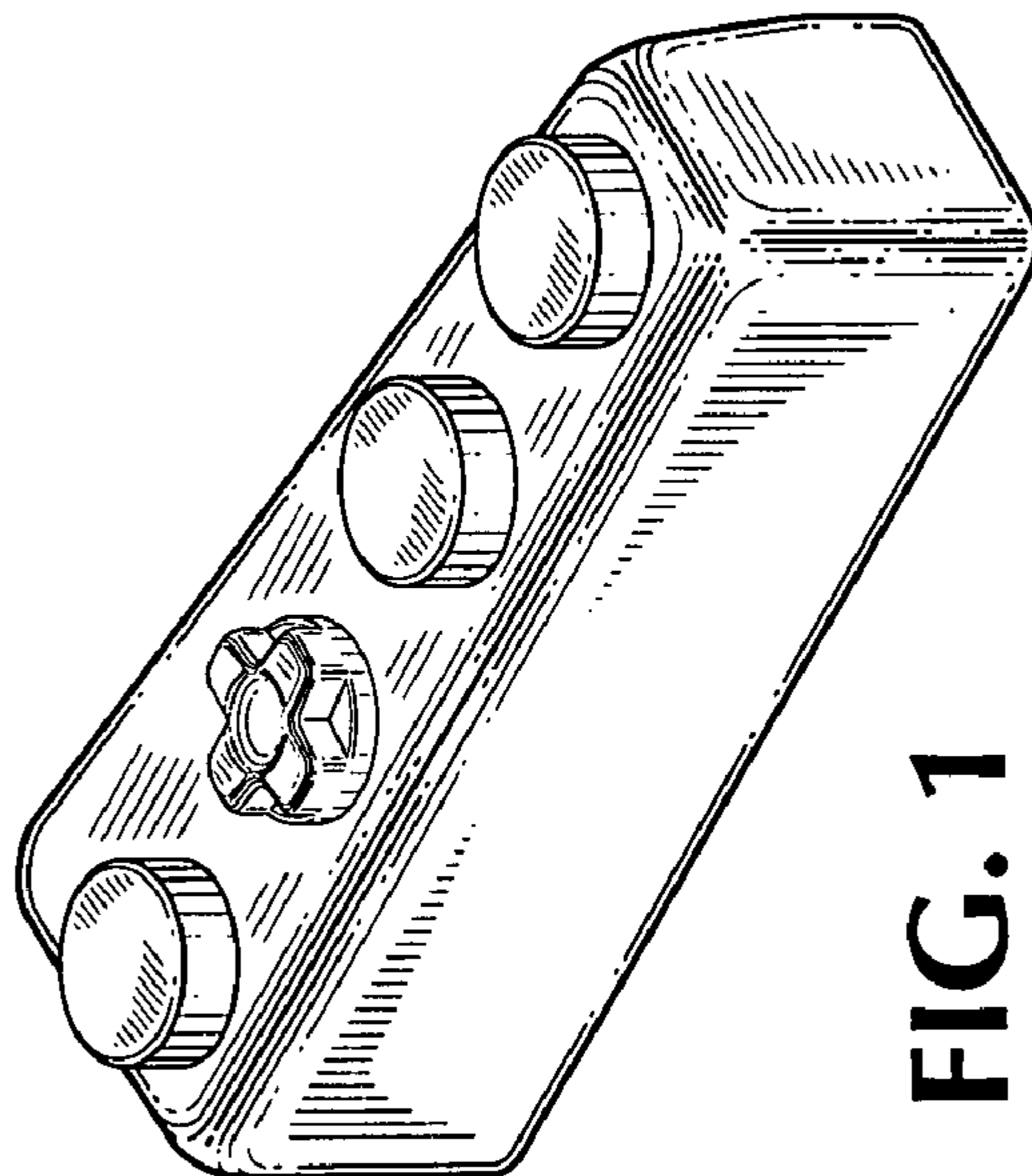


FIG. 1

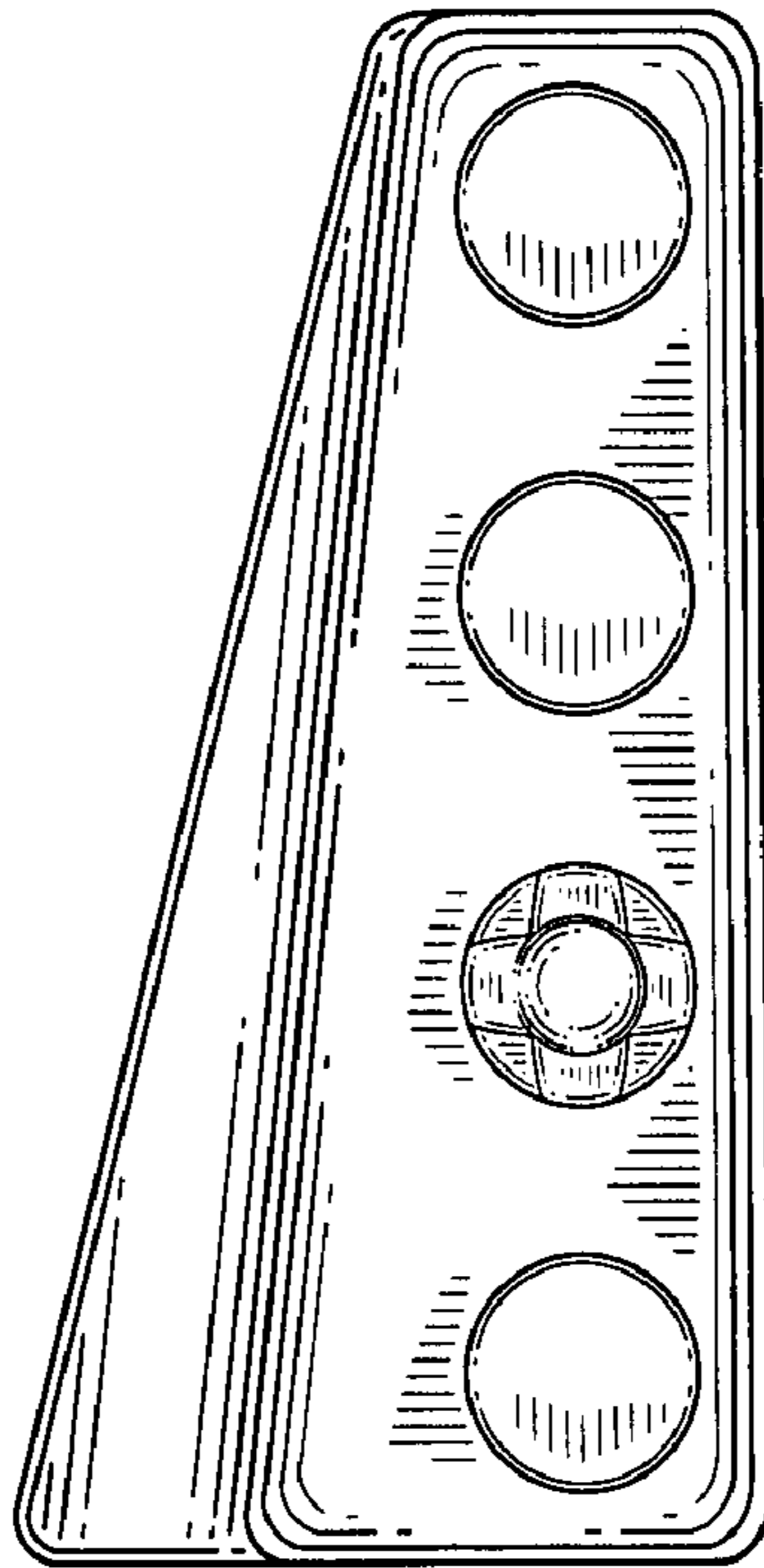


FIG. 2

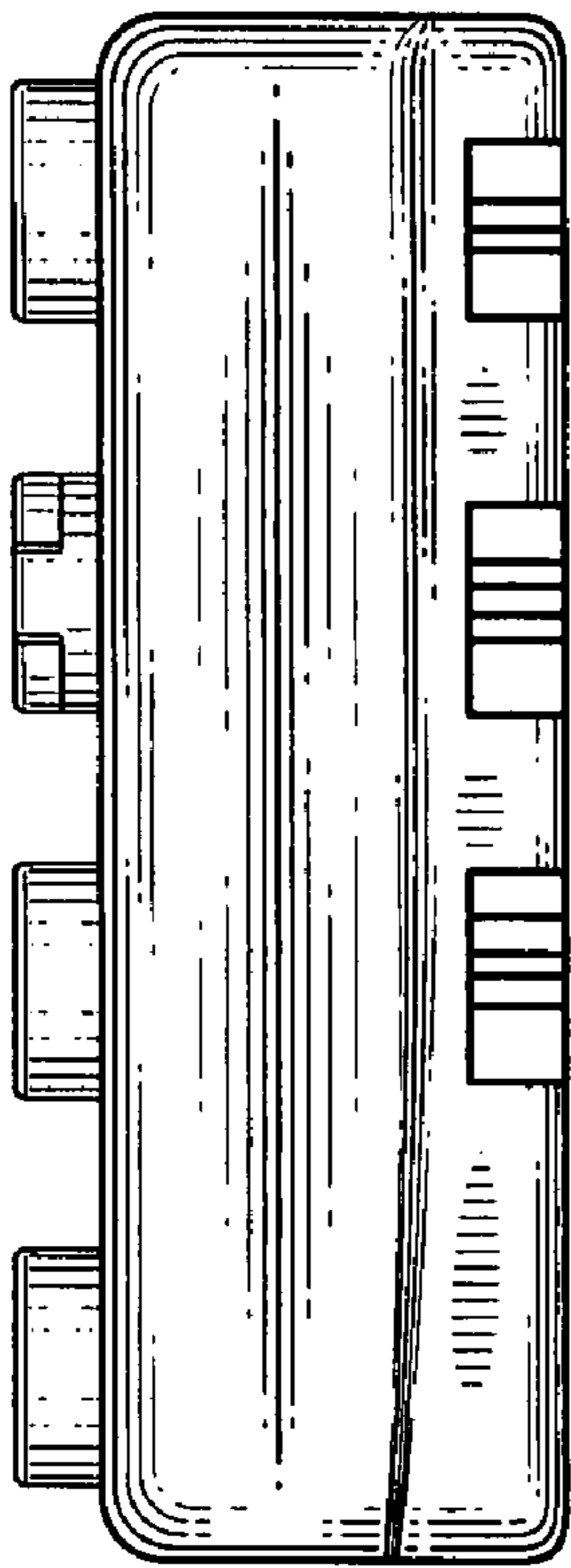


FIG. 3

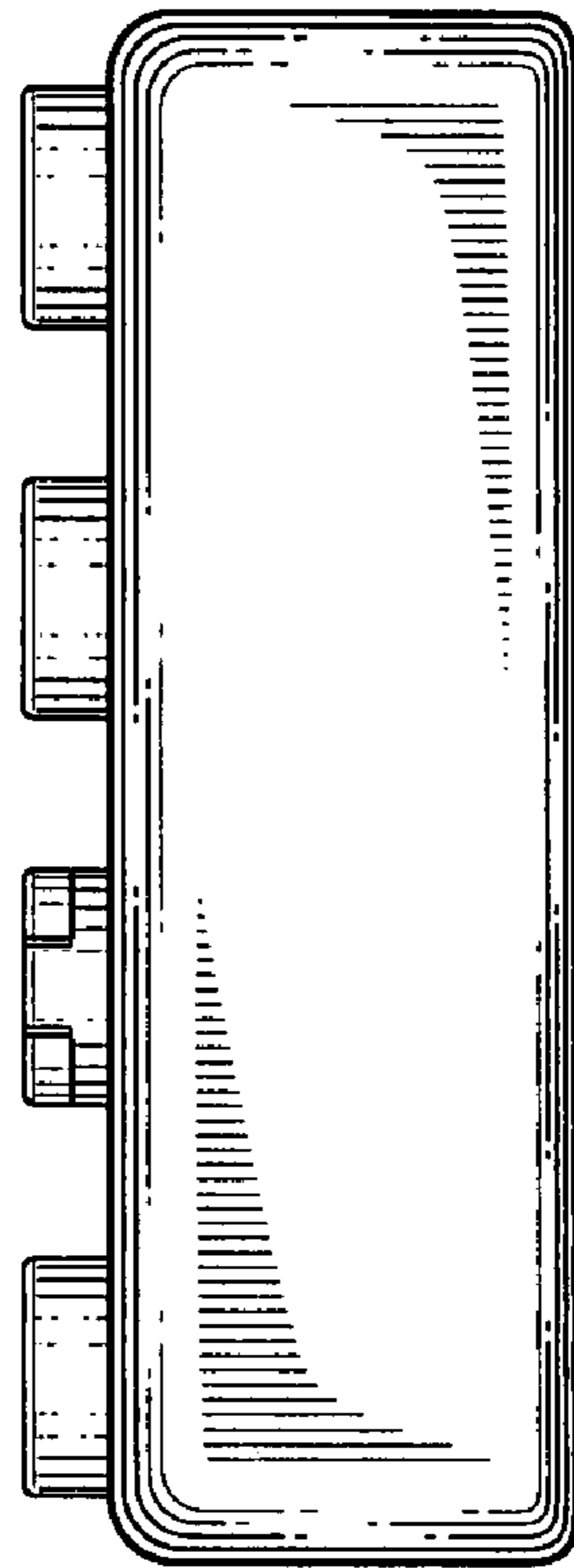


FIG. 4

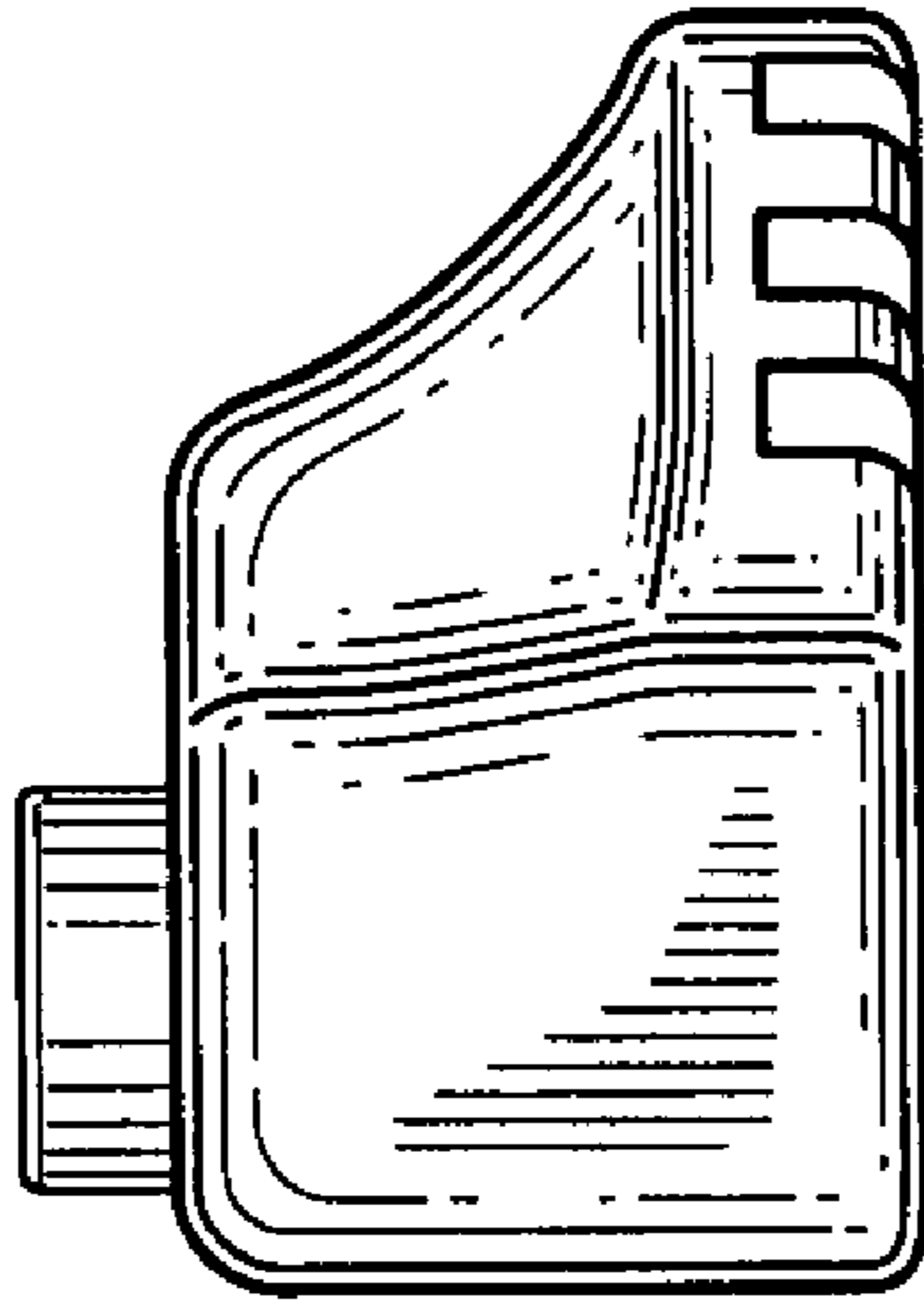


FIG. 6

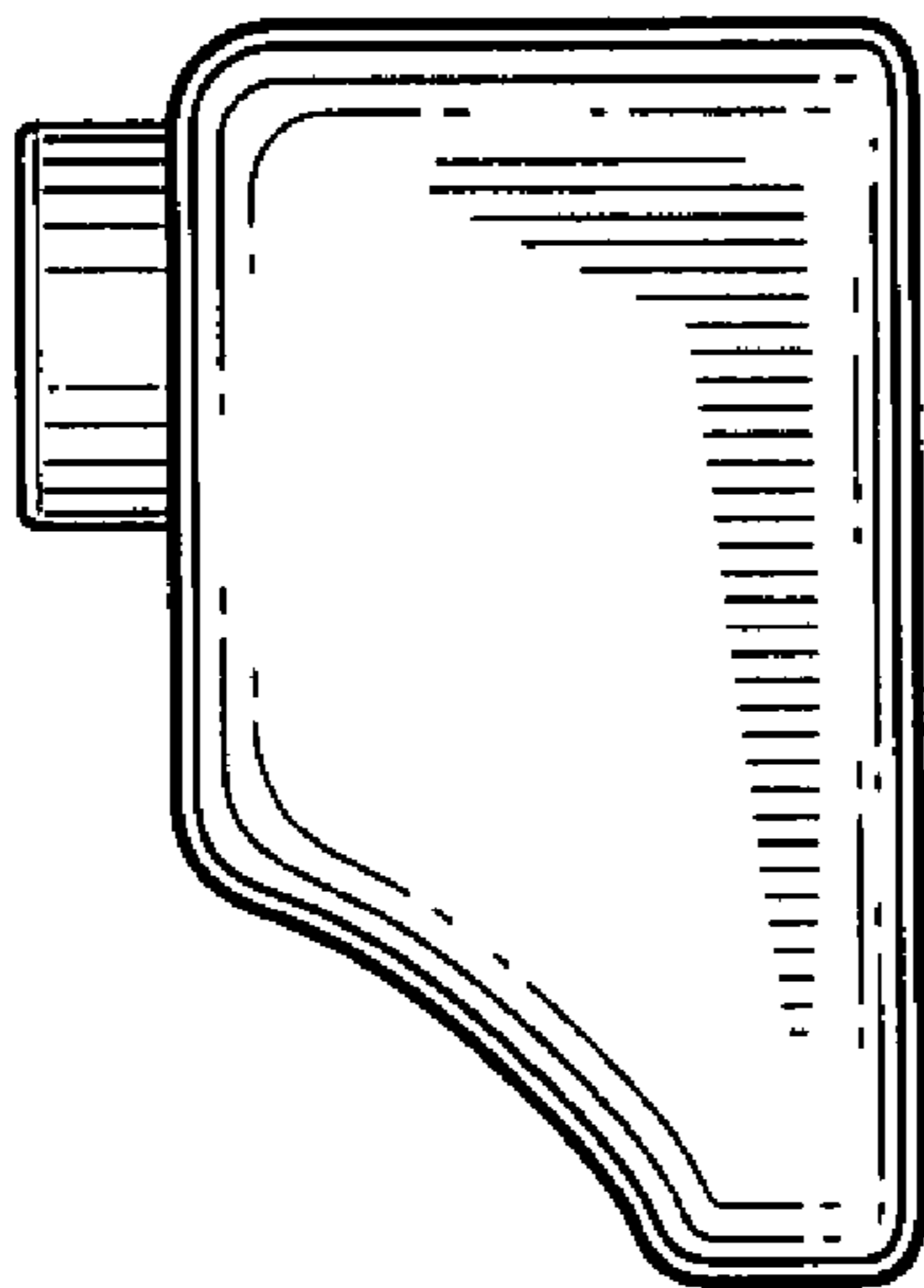


FIG. 5

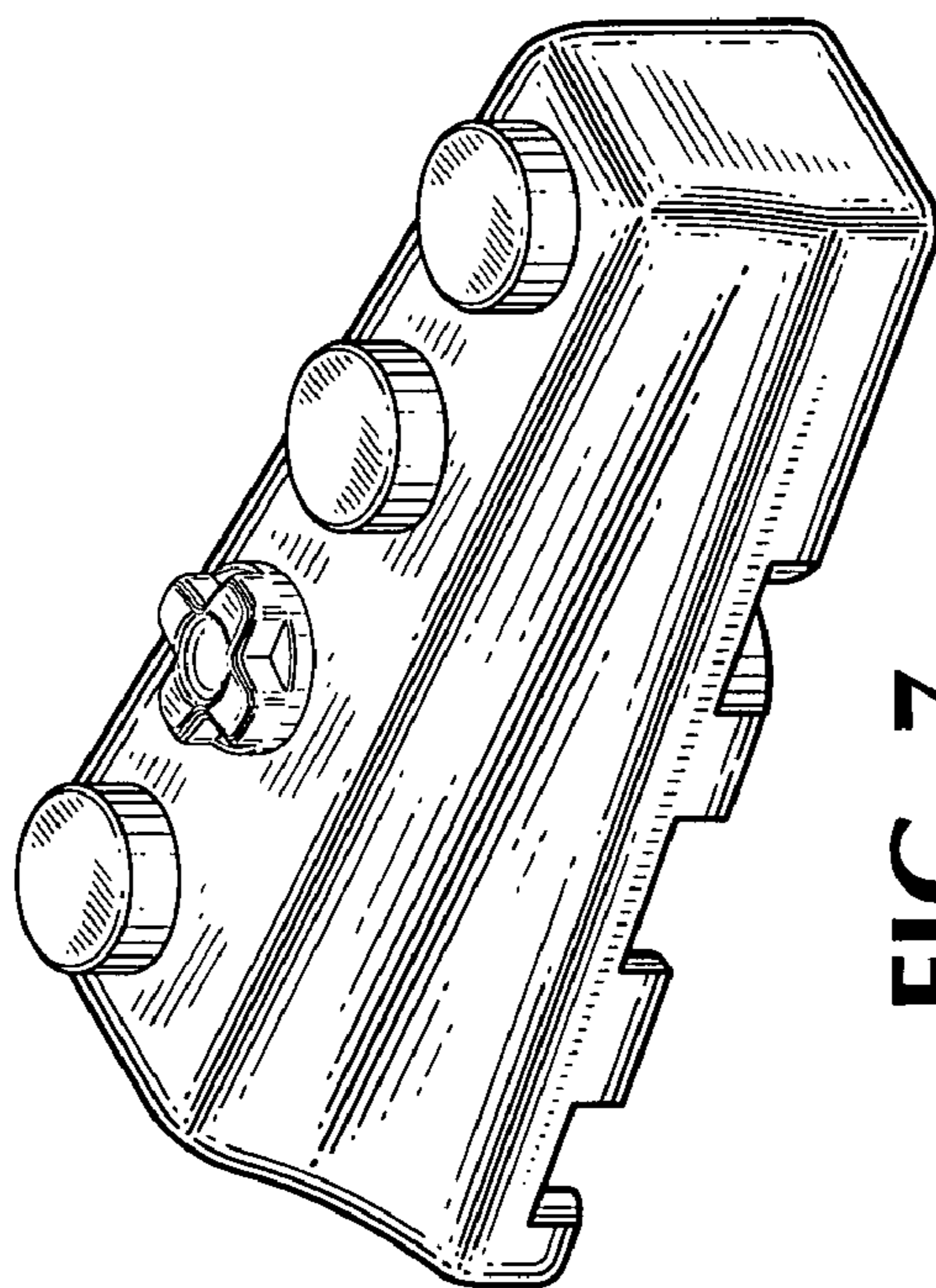


FIG. 7

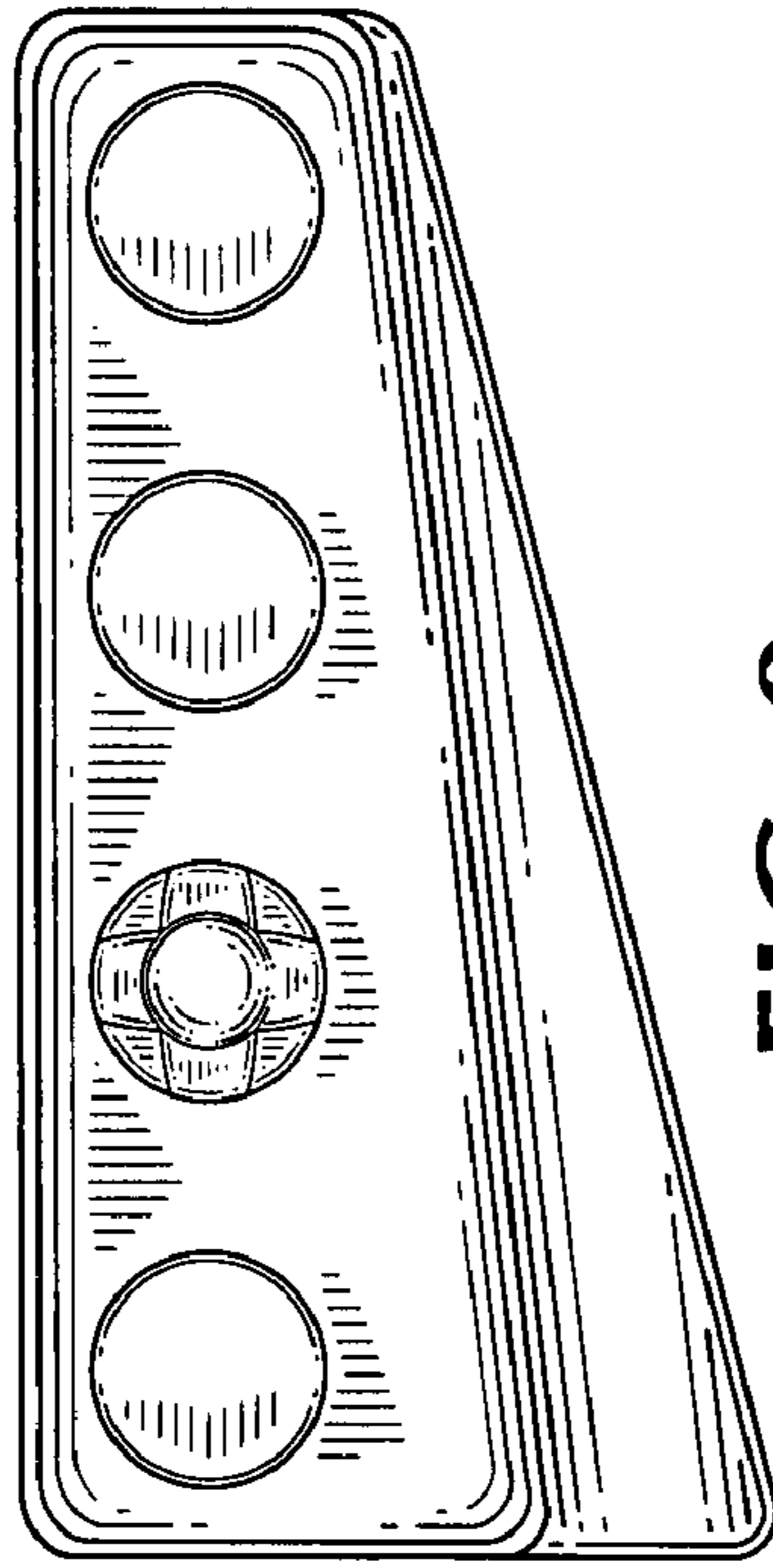


FIG. 8

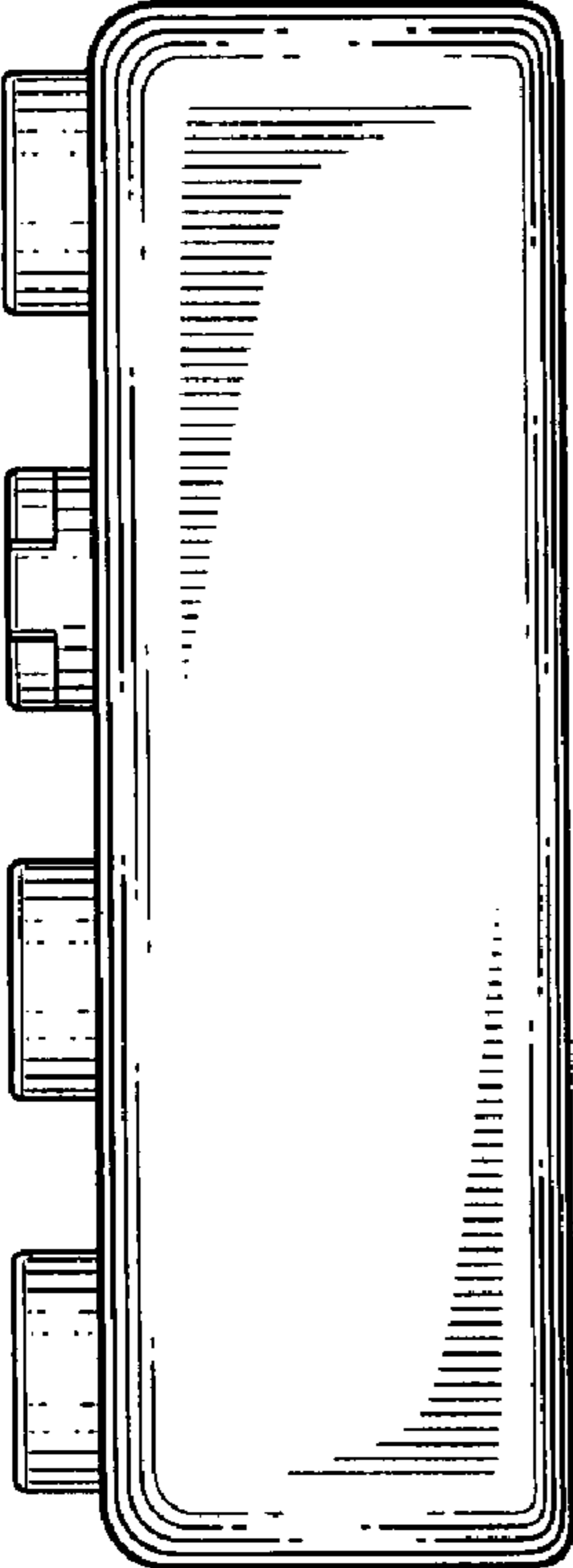


FIG. 9

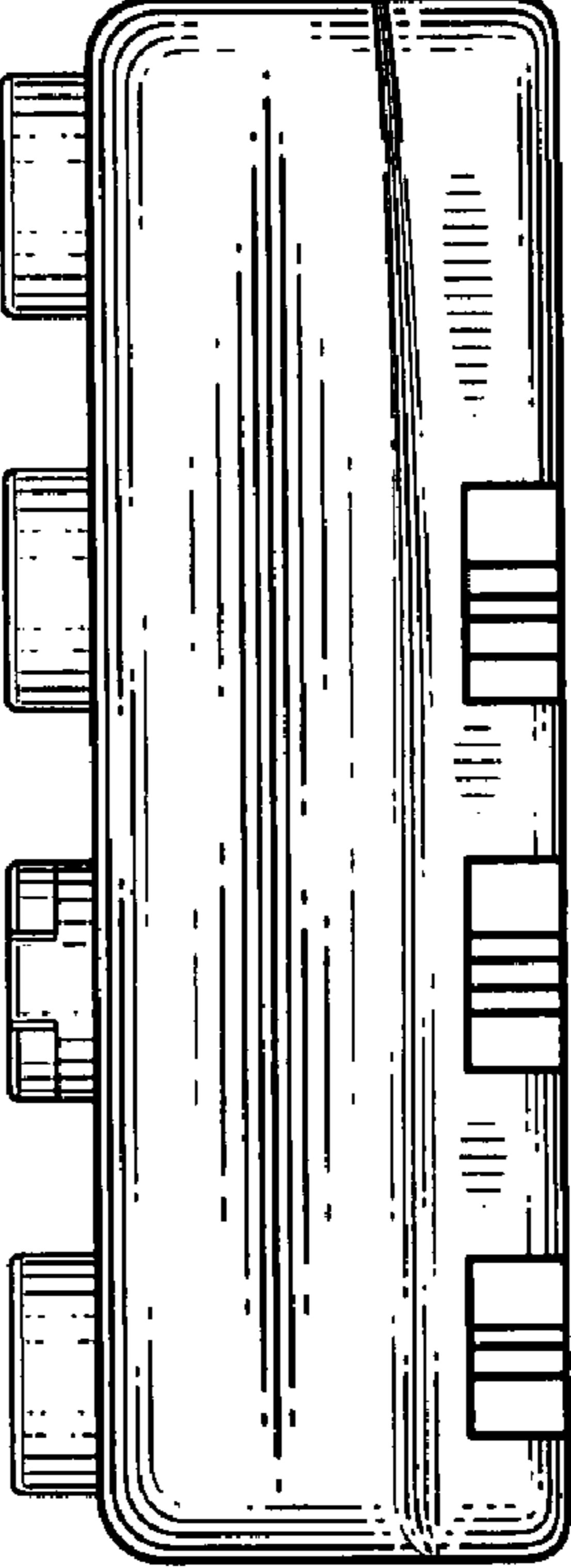


FIG. 10

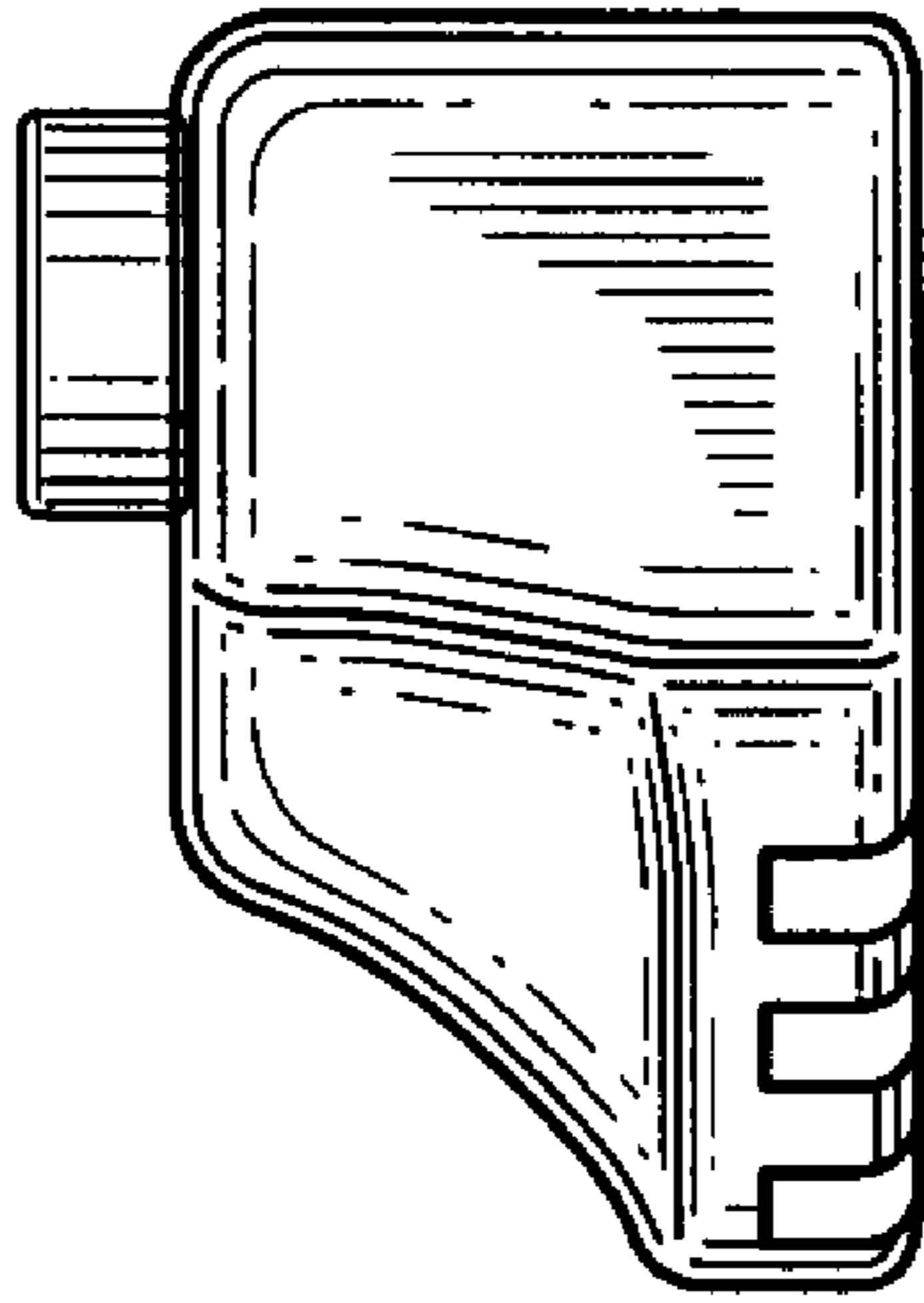


FIG. 11

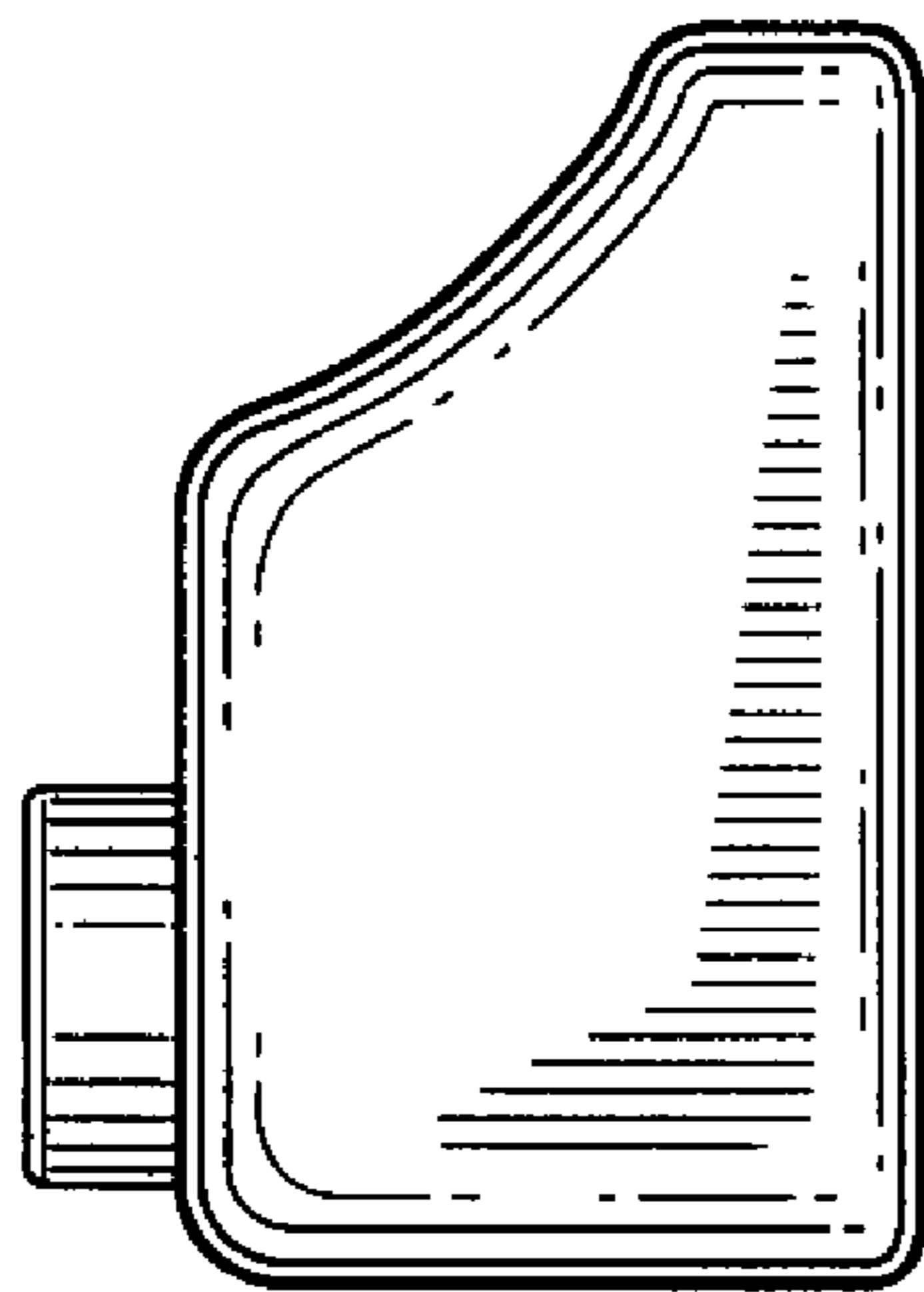


FIG. 12