



US00D550784S

(12) **United States Design Patent**
Glickman et al.

(10) **Patent No.:** **US D550,784 S**

(45) **Date of Patent:** **** Sep. 11, 2007**

(54) **CONSTRUCTION TOY COMPONENT**

(75) Inventors: **Joel Glickman**, Jupiter, FL (US);
Matthias F. W. Doepner, Harleysville,
PA (US)

(73) Assignee: **K'NEX Limited Partnership Group**,
Hatfield, PA (US)

(**) Term: **14 Years**

(21) Appl. No.: **29/272,102**

(22) Filed: **Feb. 1, 2007**

(51) **LOC (8) Cl.** **21-01**

(52) **U.S. Cl.** **D21/505**

(58) **Field of Classification Search** D21/484-505;
D25/113-118; 446/69, 85, 101-128
See application file for complete search history.

(56) **References Cited**

U.S. PATENT DOCUMENTS

3,034,254 A	5/1962	Christiansen	
D312,105 S	11/1990	Olsen et al.	
D313,437 S *	1/1991	Andersen	D21/505
D318,077 S	7/1991	Larsen et al.	
D318,696 S *	7/1991	Hoyer et al.	D21/503
D330,056 S	10/1992	Pagel	
D415,539 S *	10/1999	Rudy	D21/505

OTHER PUBLICATIONS

PEERON.COM, <http://www.peeron.com/inv/parts/30363?img=19654>, Admitted Prior Art, ("undated").

PEERON.COM, <http://www.peeron.com/cgi-bin/invcgis/inv/sets/7150-1?withpics=yes>, Admitted Prior Art, ("undated").

* cited by examiner

Primary Examiner—Holly H. Baynham

Assistant Examiner—Cynthia M. Chin

(74) *Attorney, Agent, or Firm*—Schweitzer Cornman Gross & Bondell LLP

(57) **CLAIM**

The ornamental design for a construction toy component, as shown and described.

DESCRIPTION

FIG. 1 is a top perspective view of a construction toy component;

FIG. 2 is a front elevation view of the construction toy component of FIG. 1;

FIG. 3 is a side elevation view of the construction toy component of FIG. 1;

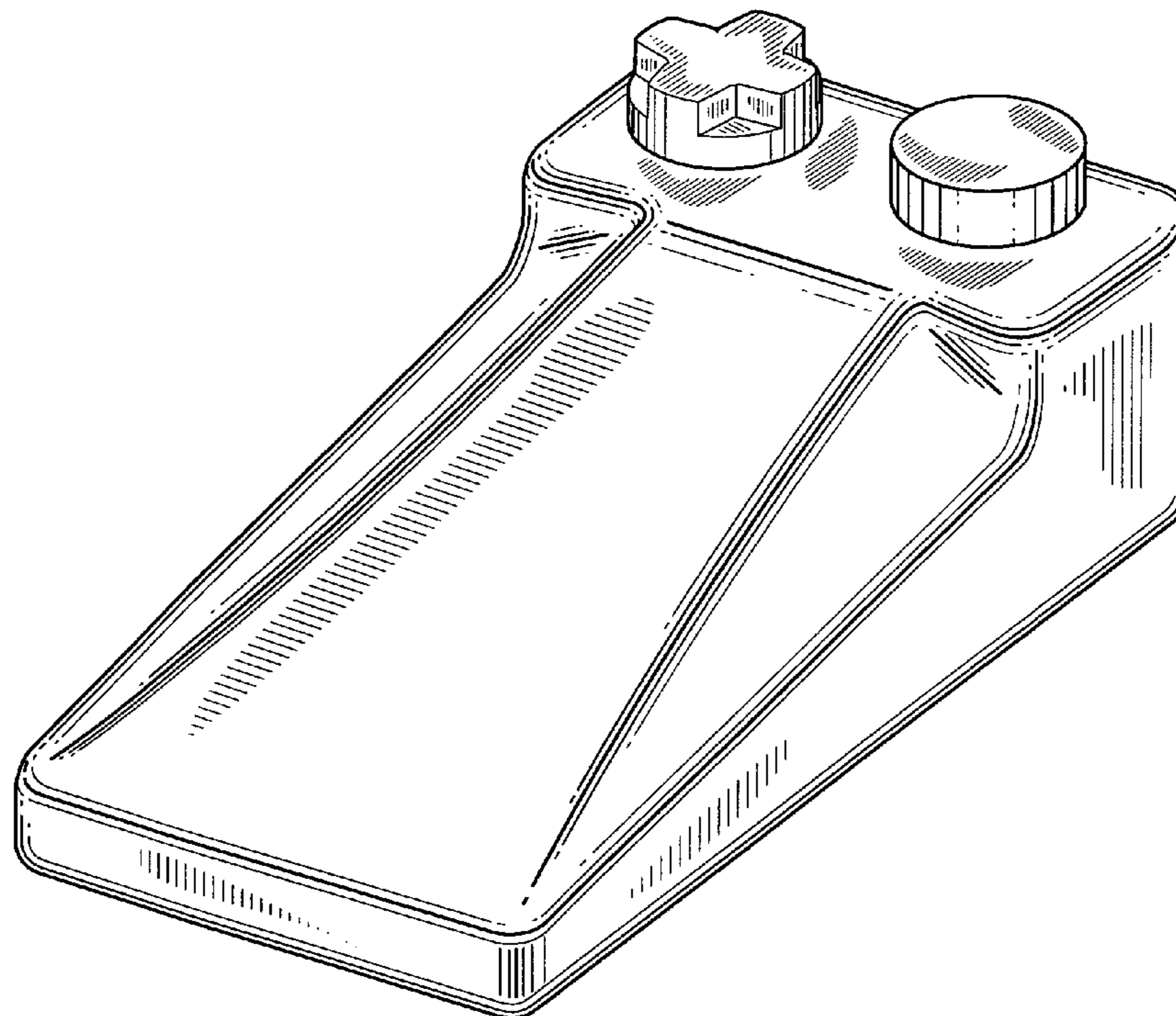
FIG. 4 is a rear elevation view of the construction toy component of FIG. 1;

FIG. 5 is an opposite side elevation view of the construction toy component of FIG. 1; and,

FIG. 6 is a top plan view of the construction toy component of FIG. 1.

The bottom of the construction toy component forms no part of the claimed design.

1 Claim, 3 Drawing Sheets



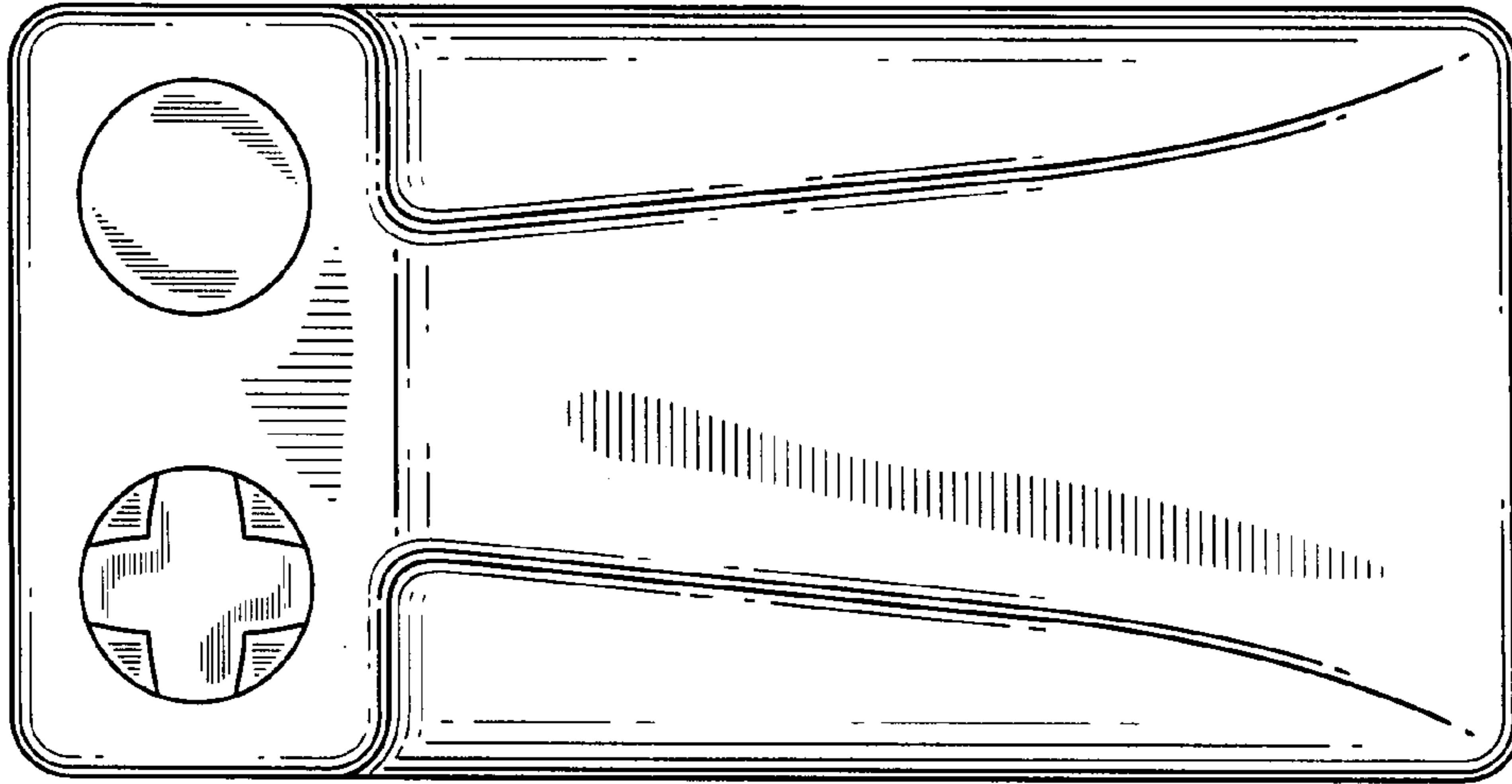


FIG. 6

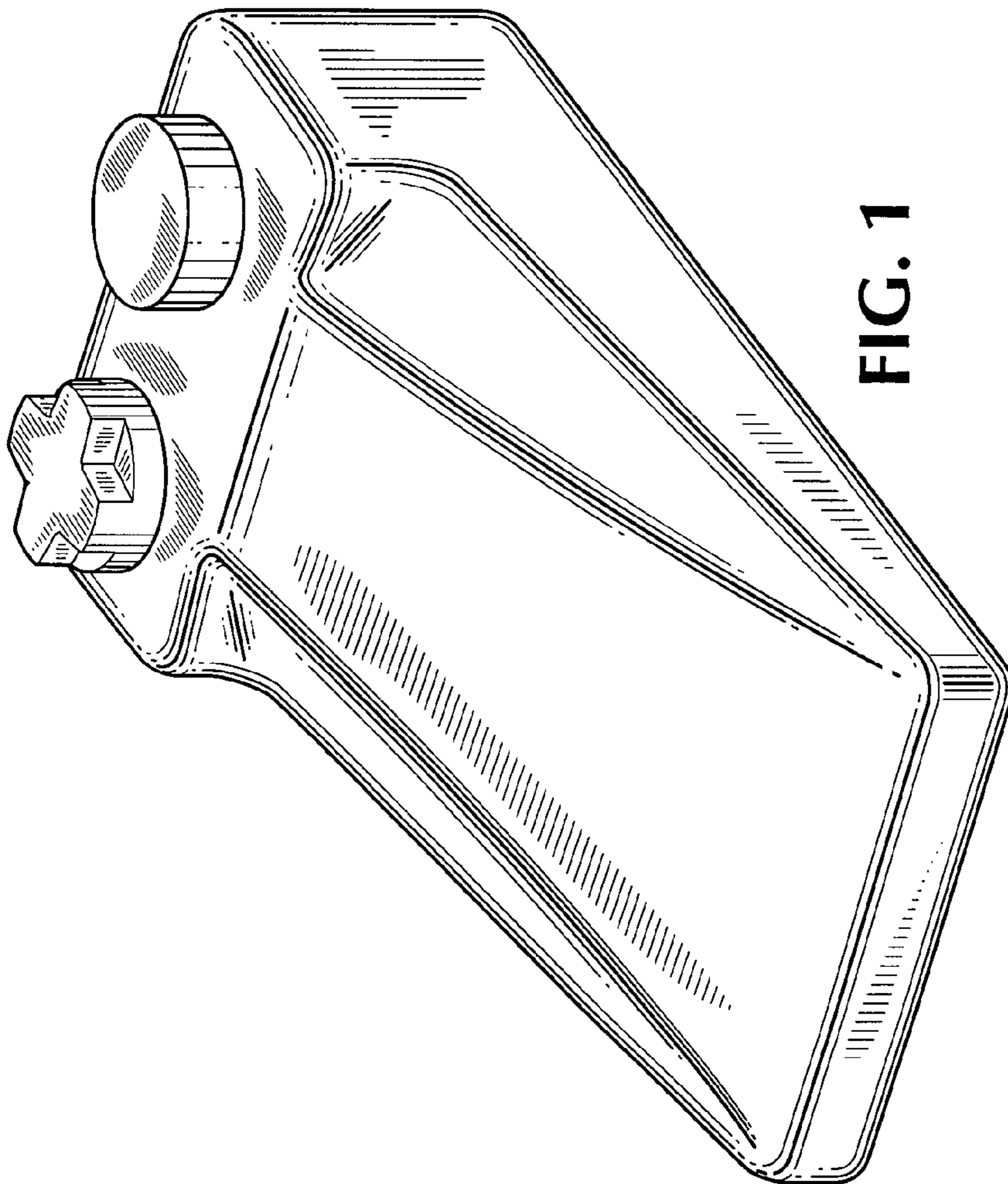


FIG. 1

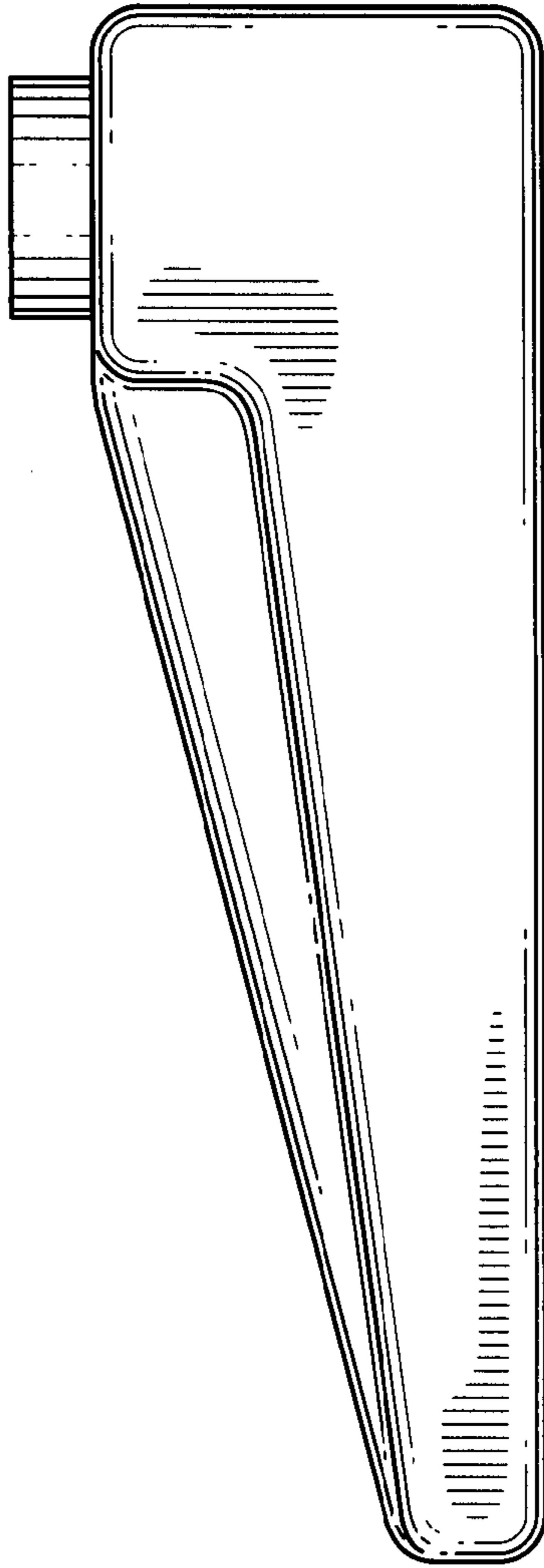


FIG. 3

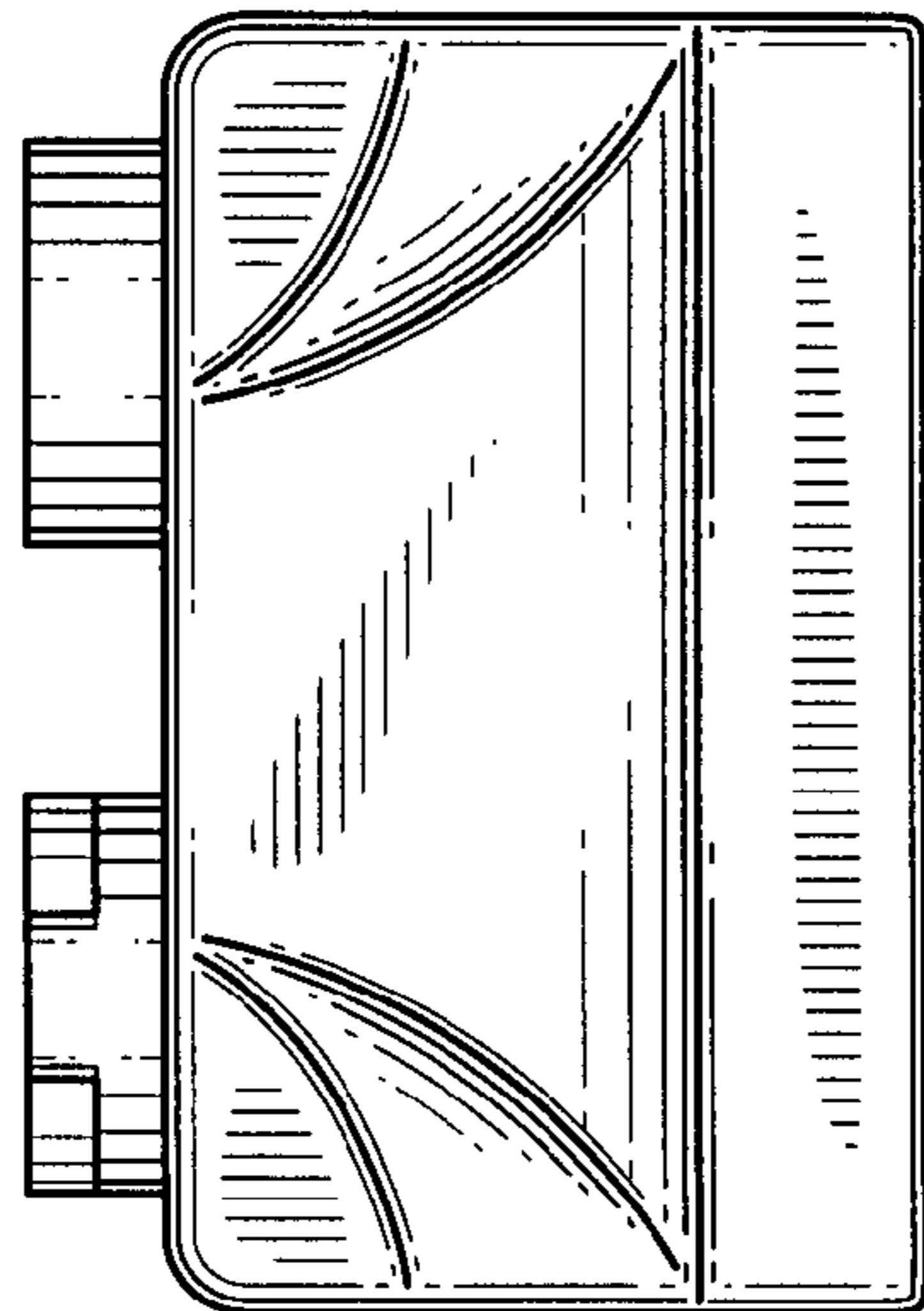


FIG. 2

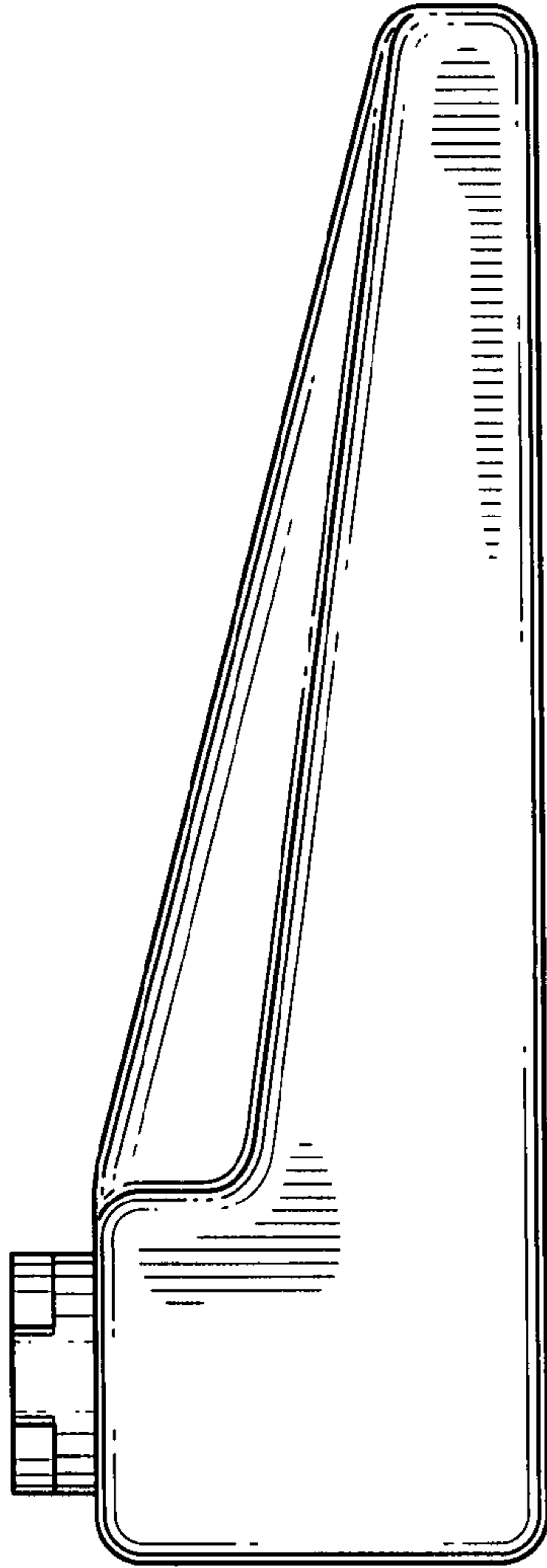


FIG. 4

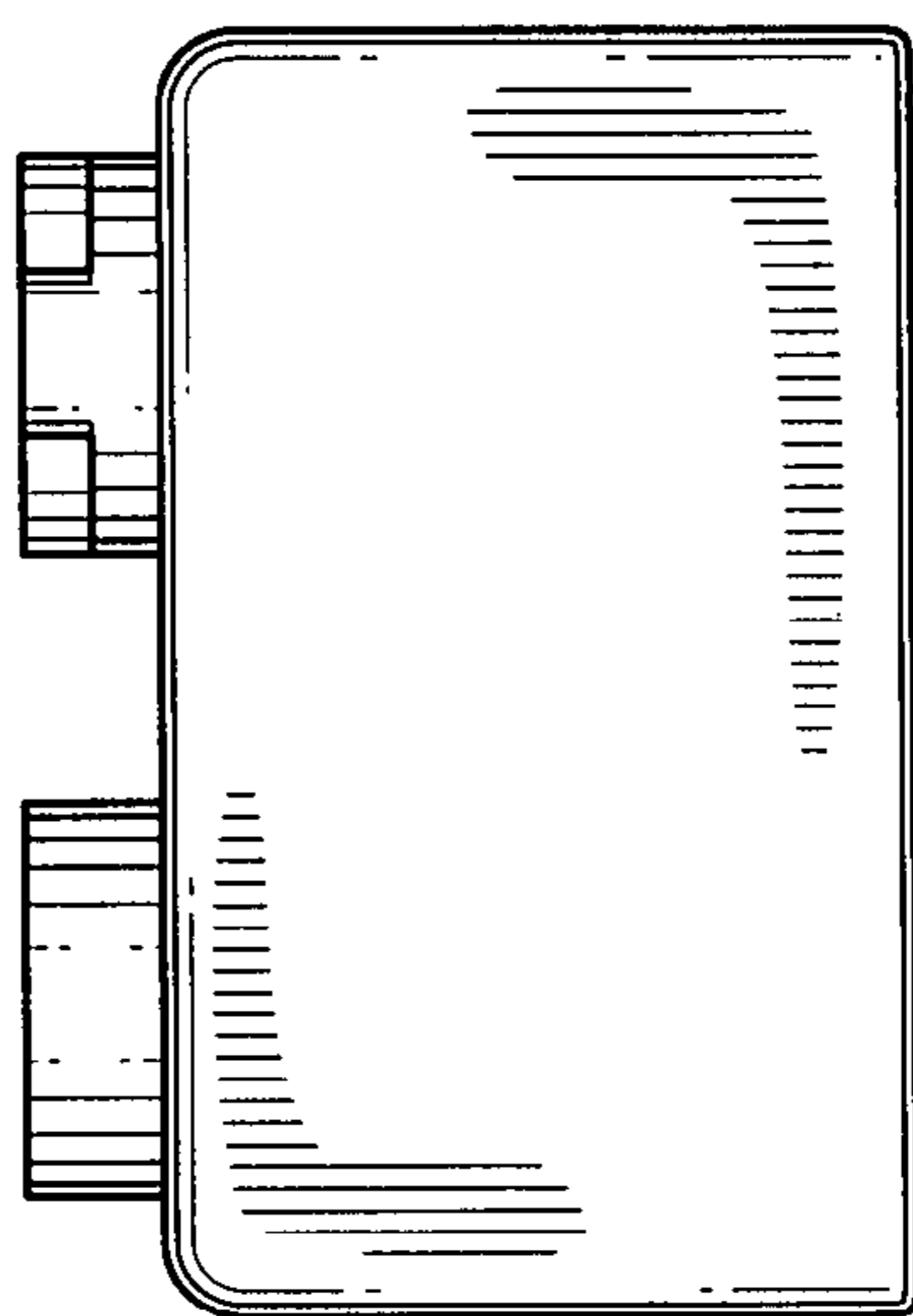


FIG. 5