

US00D550783S

(12) **United States Design Patent**  
**Glickman**

(10) **Patent No.:** **US D550,783 S**

(45) **Date of Patent:** **\*\* Sep. 11, 2007**

(54) **CONSTRUCTION TOY COMPONENT**

D410,708 S \* 6/1999 Toft ..... D21/503

(75) Inventor: **Joel Glickman**, Jupiter, FL (US)

\* cited by examiner

(73) Assignee: **K'NEX Limited Partnership Group**,  
Hatfield, PA (US)

*Primary Examiner*—Holly H. Baynham

*Assistant Examiner*—Cynthia M. Chin

(74) *Attorney, Agent, or Firm*—Schweitzer Cornman Gross  
& Bondell LLP

(\*\*) Term: **14 Years**

(21) Appl. No.: **29/271,485**

(57) **CLAIM**

(22) Filed: **Jan. 19, 2007**

The ornamental design for a construction toy component, as shown and described.

(51) **LOC (8) Cl.** ..... **21-01**

(52) **U.S. Cl.** ..... **D21/488; D21/503**

(58) **Field of Classification Search** ..... D21/484–505,  
D21/563, 779; D25/113–118; 446/69, 85,  
446/101–128; D8/382

See application file for complete search history.

**DESCRIPTION**

FIG. 1 is a perspective view from the front;

FIG. 2 is a front elevation view, the rear view being identical;

FIG. 3 is a first side elevation view, the second side being identical; and,

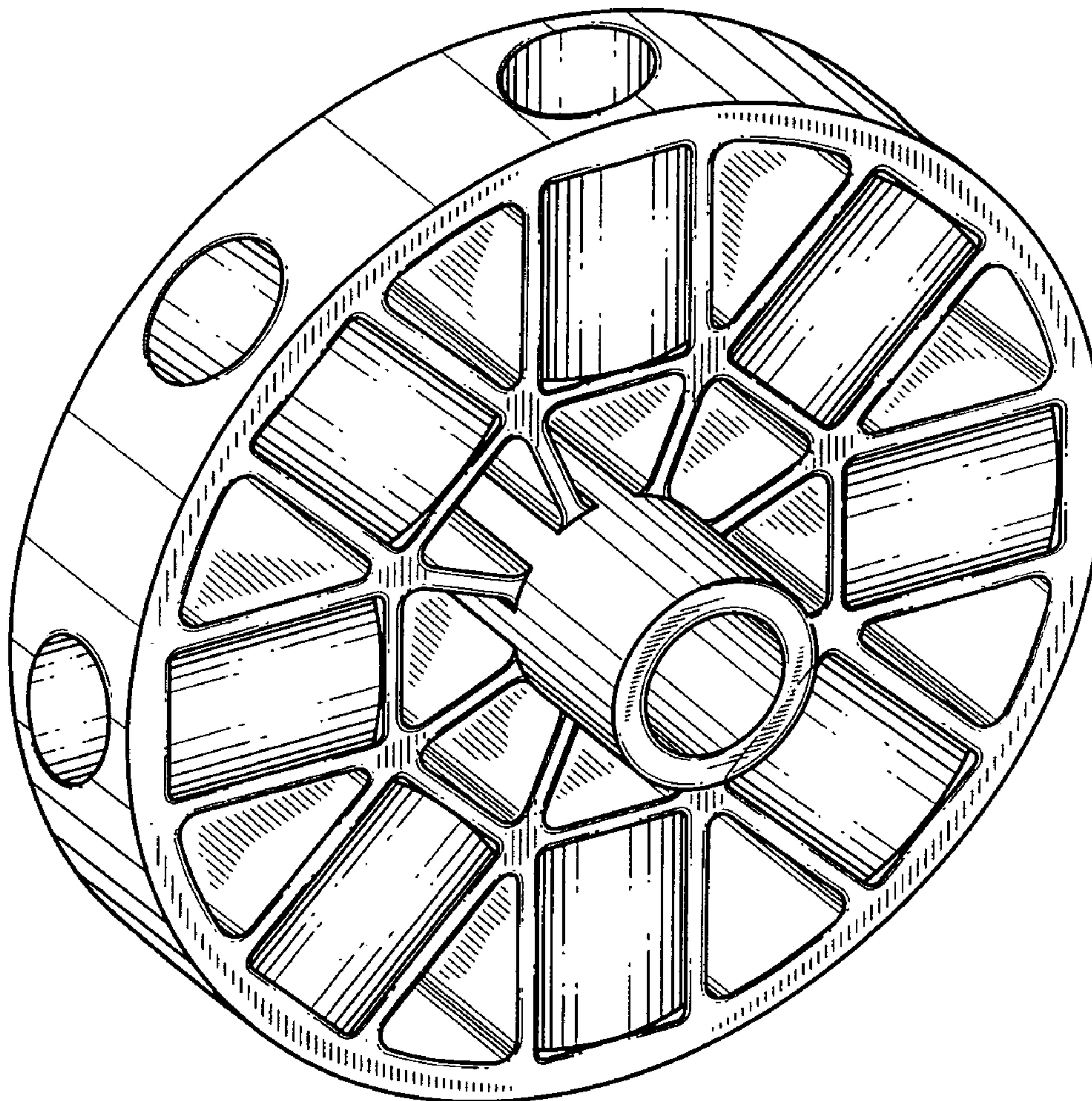
FIG. 4 is a top plan view, the bottom view being identical.

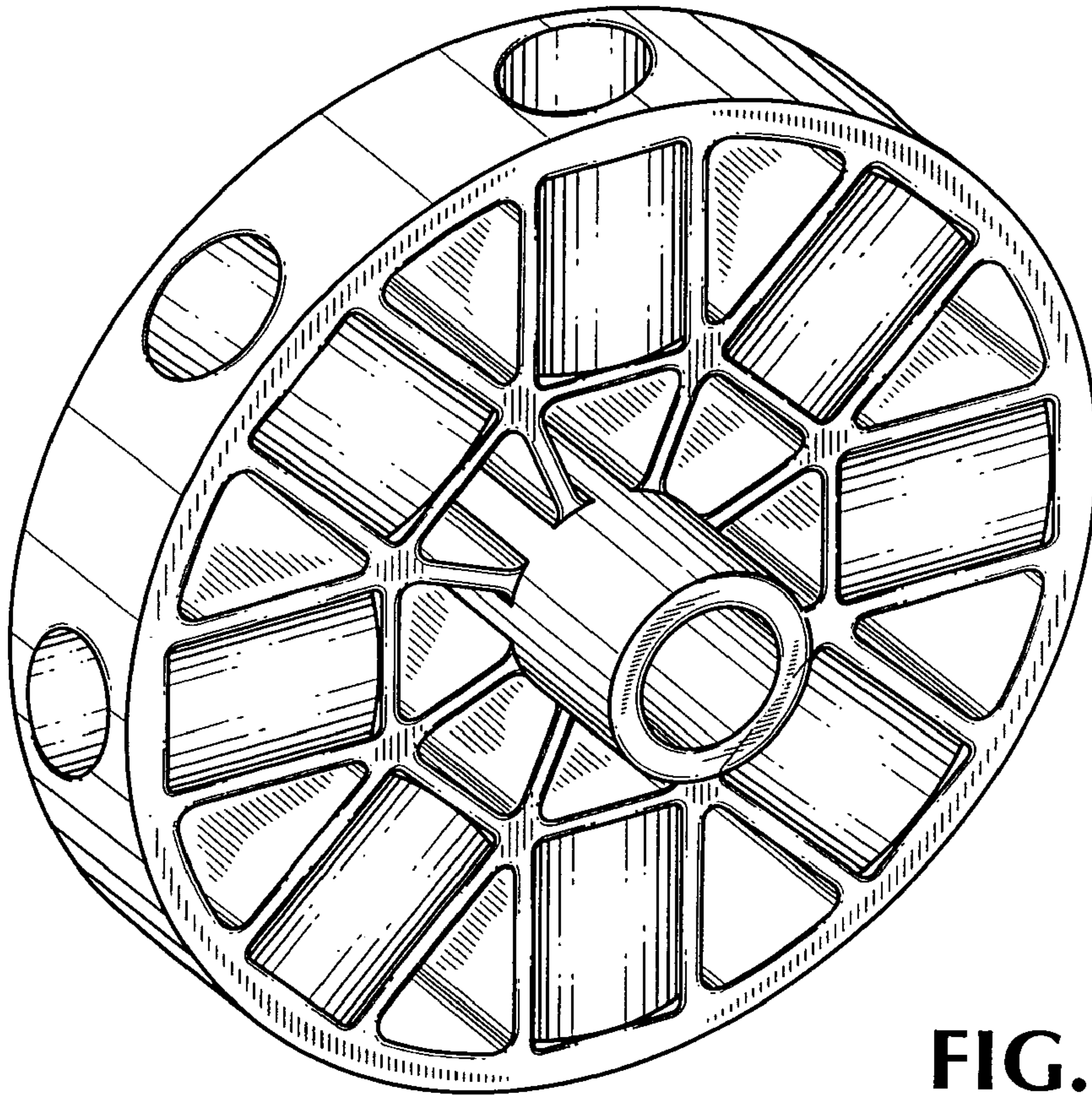
(56) **References Cited**

**U.S. PATENT DOCUMENTS**

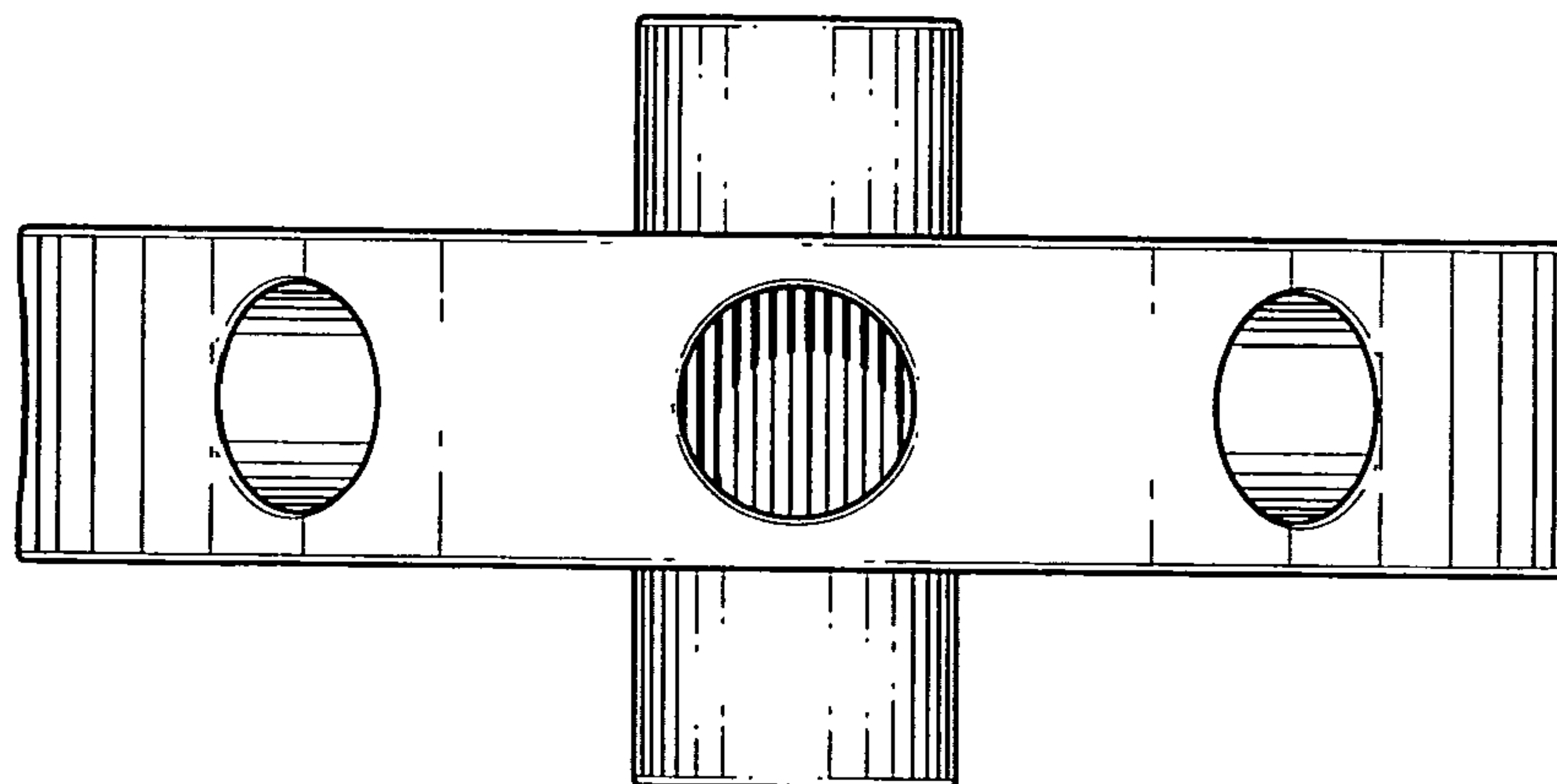
2,042,007 A \* 5/1936 Kennedy ..... 446/121

**1 Claim, 2 Drawing Sheets**



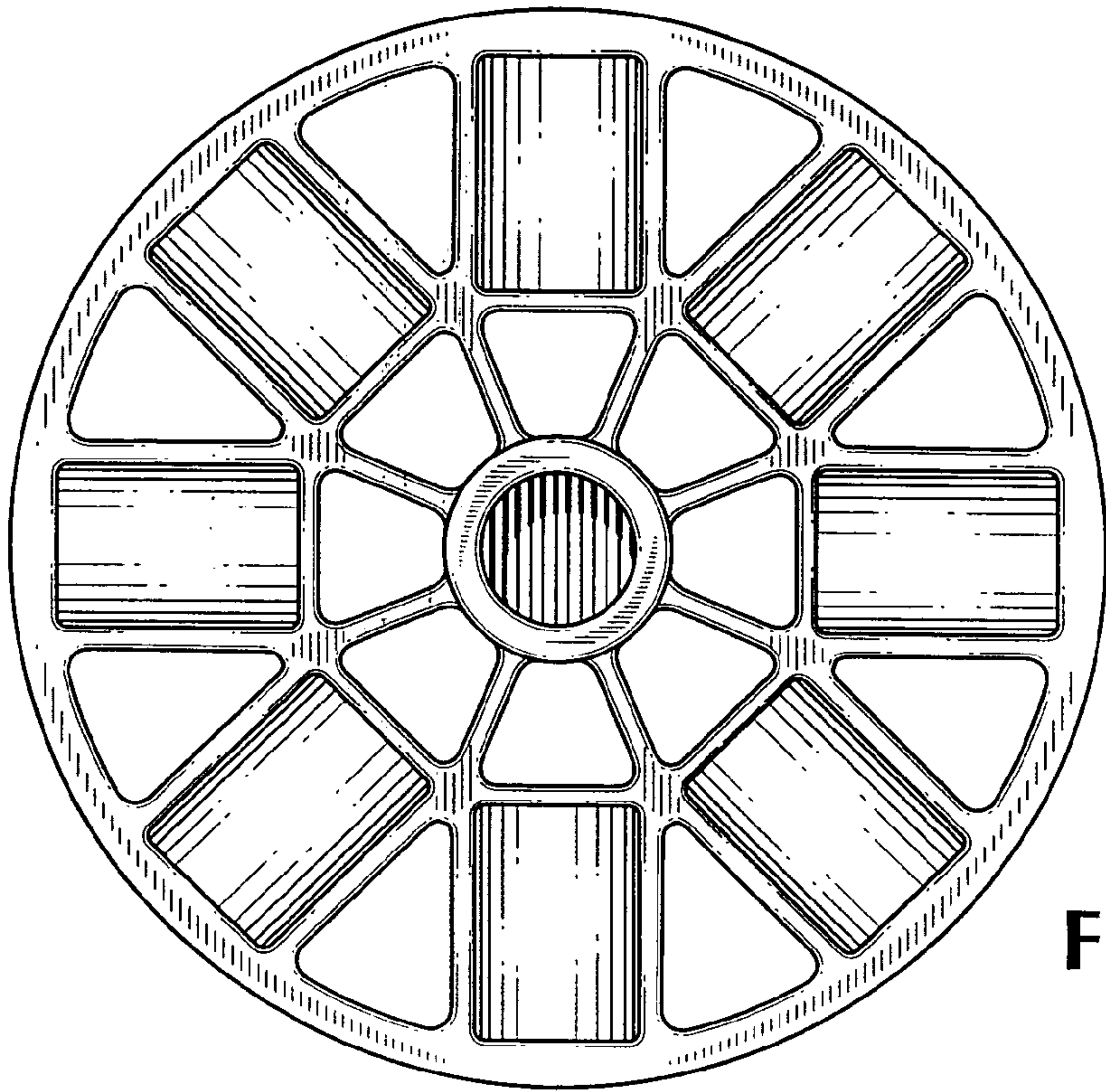


**FIG. 1**

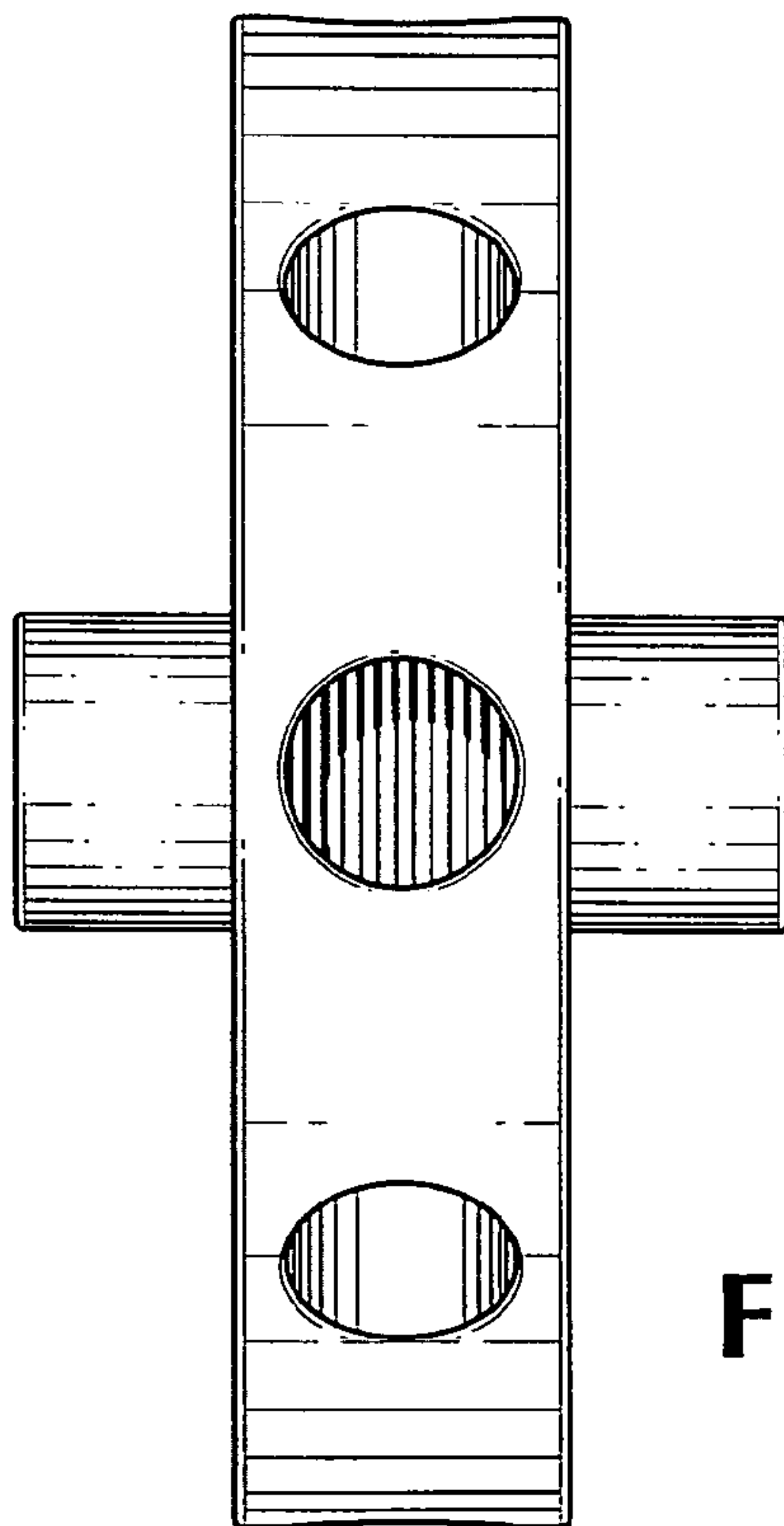


**FIG. 4**





**FIG. 2**



**FIG. 3**