



US00D550782S

(12) **United States Design Patent**
Glickman et al.

(10) **Patent No.:** **US D550,782 S**

(45) **Date of Patent:** **** Sep. 11, 2007**

(54) **CONSTRUCTION TOY COMPONENT**

(75) Inventors: **Joel Glickman**, Jupiter, FL (US);
Matthias F. W. Doepner, Harleysville,
PA (US)

(73) Assignee: **K'NEX Limited Partnership Group**,
Hatfield, PA (US)

(**) Term: **14 Years**

(21) Appl. No.: **29/267,628**

(22) Filed: **Oct. 18, 2006**

(51) **LOC (8) Cl.** **21-01**

(52) **U.S. Cl.** **D21/487**

(58) **Field of Classification Search** D21/484-505;
D25/113-118; 446/69, 85, 101-128
See application file for complete search history.

(56) **References Cited**

U.S. PATENT DOCUMENTS

2,683,329 A * 7/1954 Kobler 446/122
D208,789 S * 10/1967 Kuha D21/503
3,469,339 A * 9/1969 Thomas 446/122

* cited by examiner

Primary Examiner—Holly H. Baynham

Assistant Examiner—Cynthia M. Chin

(74) *Attorney, Agent, or Firm*—Schweitzer Cornman Gross
& Bondell LLP

(57) **CLAIM**

The ornamental design for a construction toy component, as
shown and described.

DESCRIPTION

FIG. 1 is a perspective view of a construction toy compo-
nent;

FIG. 2 is a front elevation view of the construction toy
component of FIG. 1;

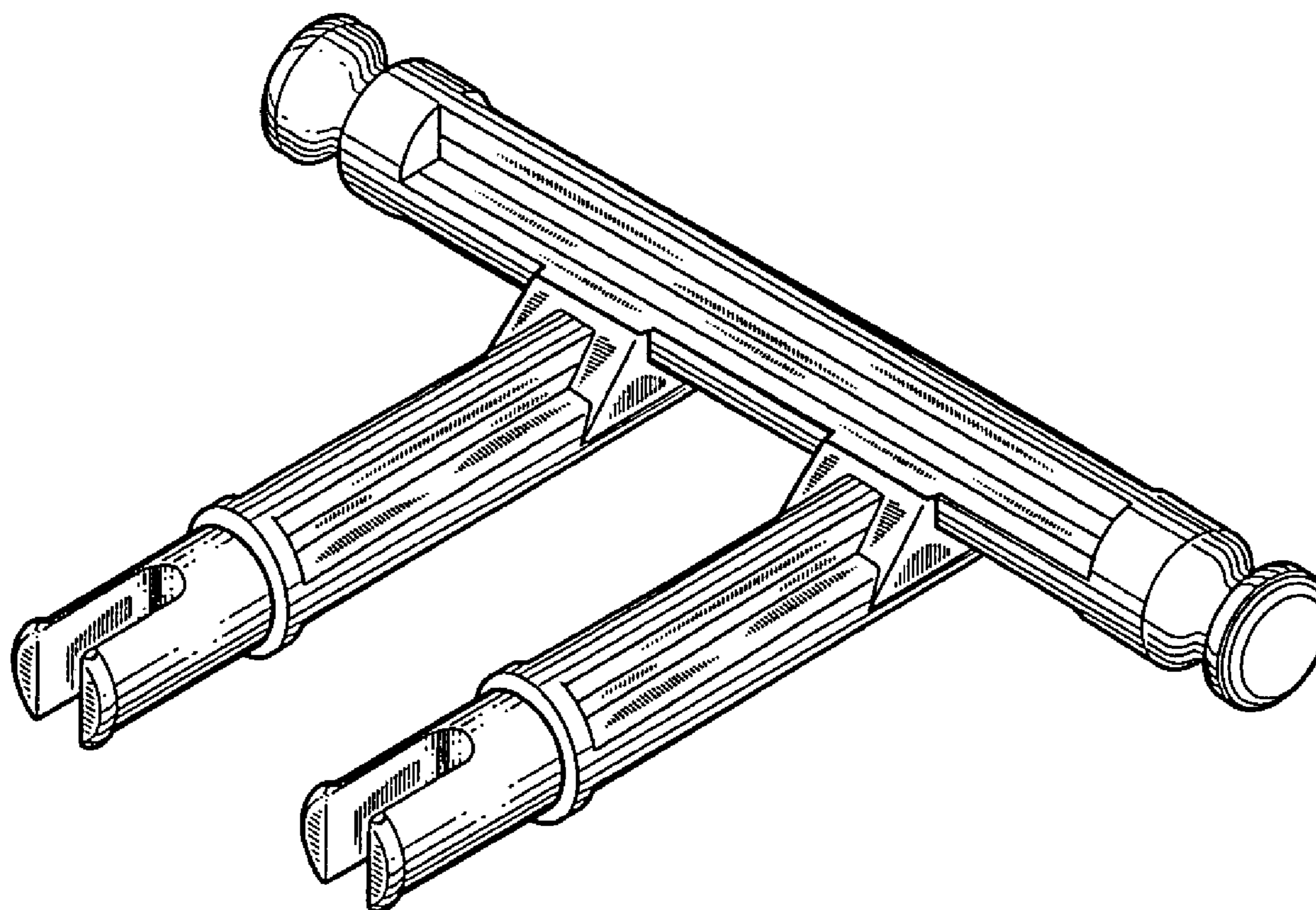
FIG. 3 is a rear elevation view of the construction toy
component of FIG. 1;

FIG. 4 is a top plan view of the construction toy component
of FIG. 1;

FIG. 5 is a bottom plan view of the construction toy
component of FIG. 1; and,

FIG. 6 is a first side elevation view of the construction toy
component of FIG. 1, the second side being a mirror image.

1 Claim, 2 Drawing Sheets



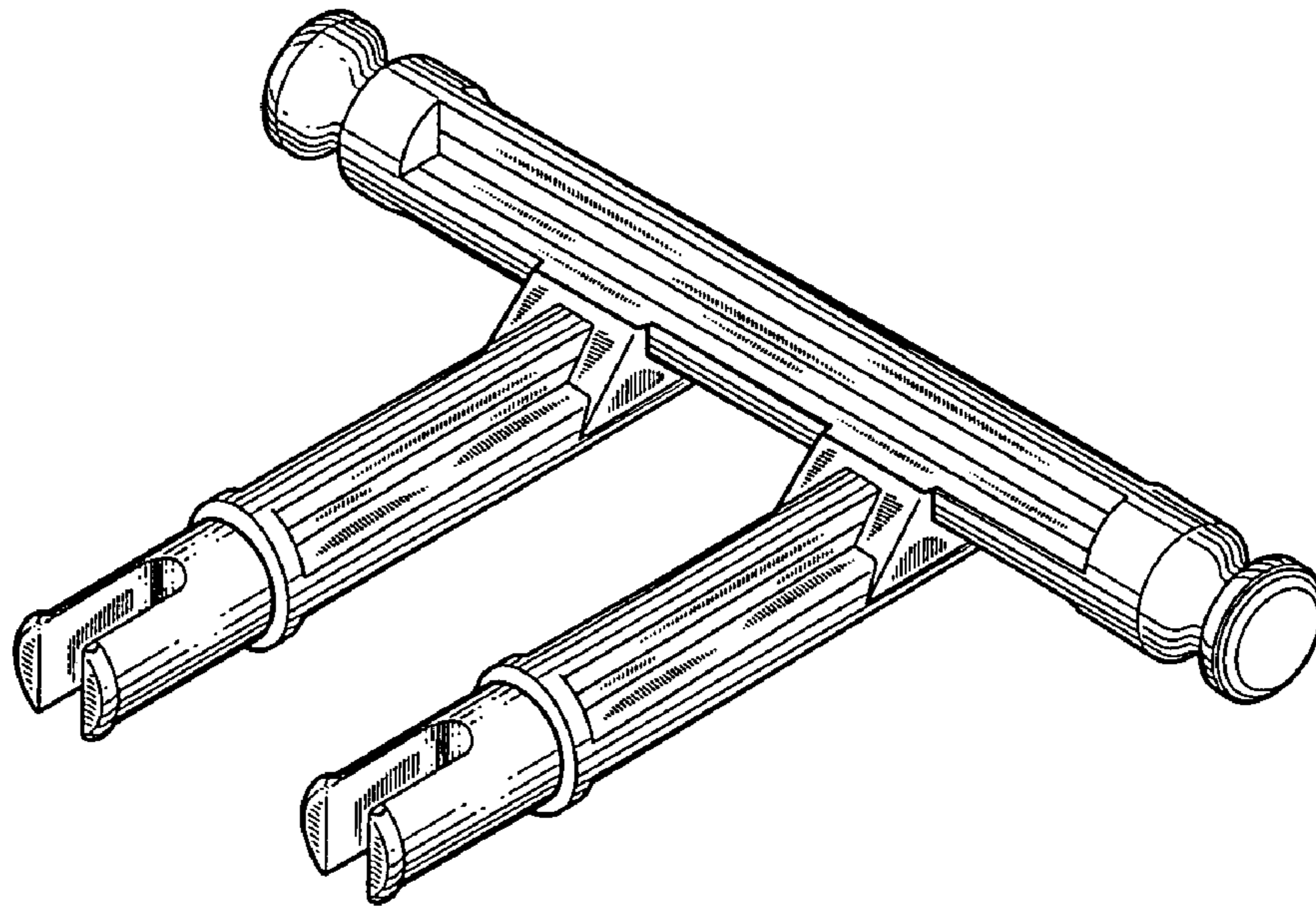


FIG. 1

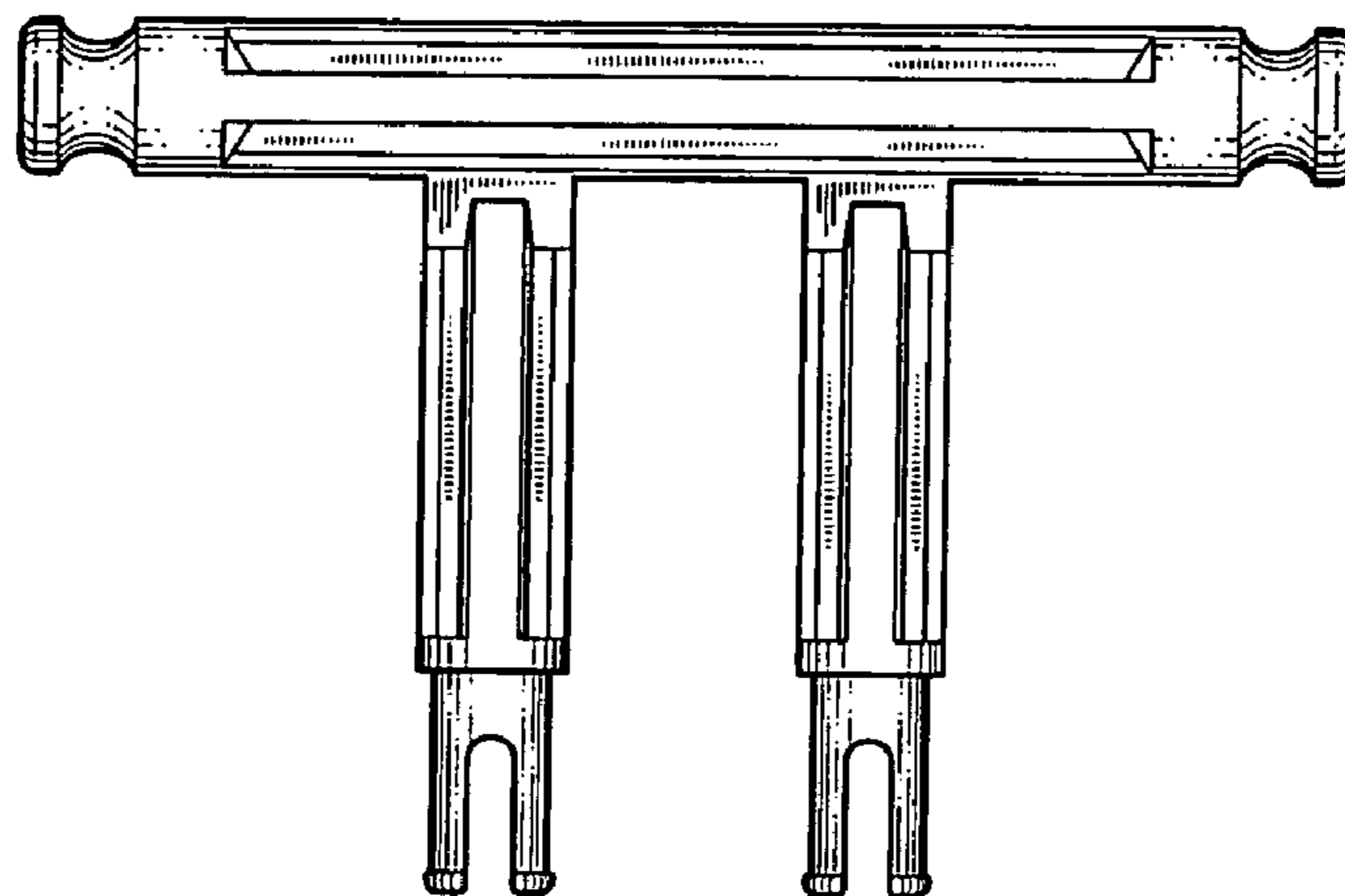


FIG. 2

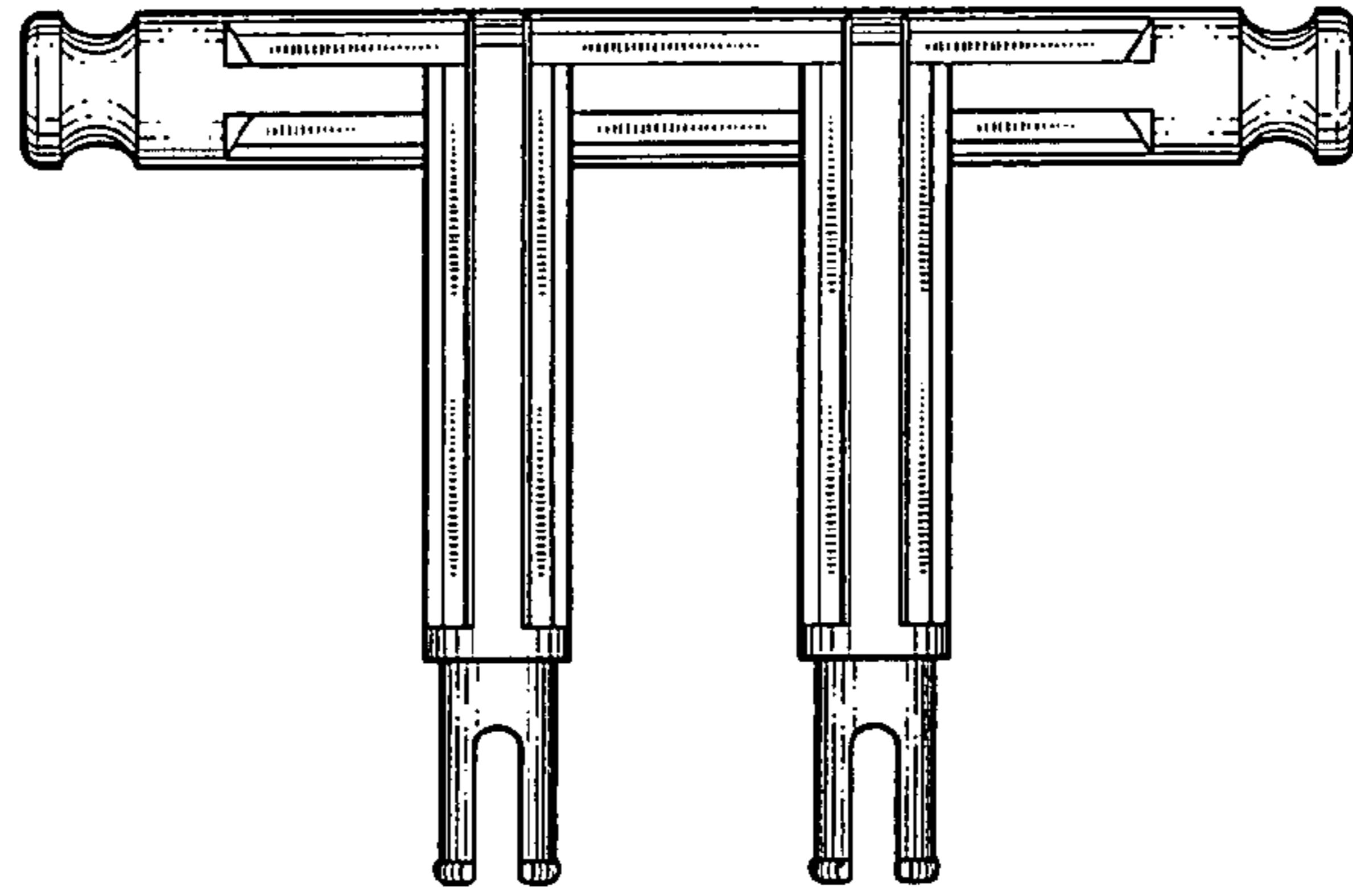


FIG. 3

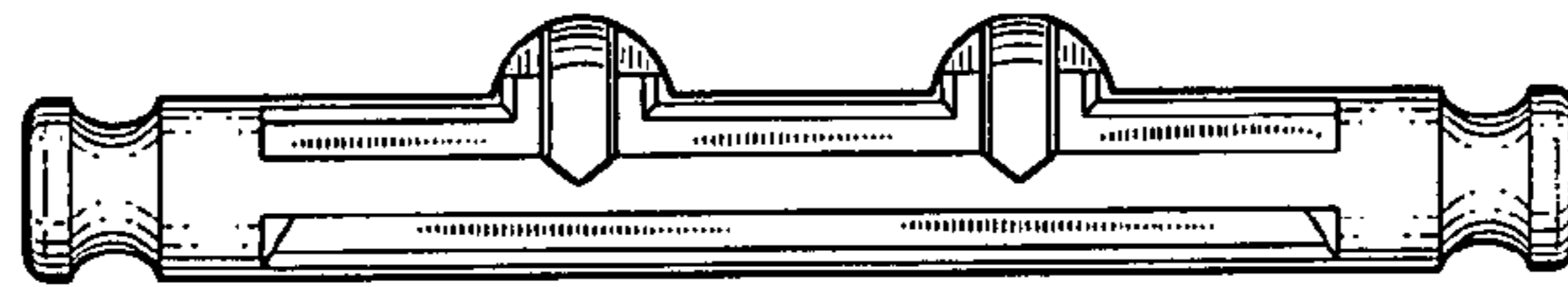


FIG. 4

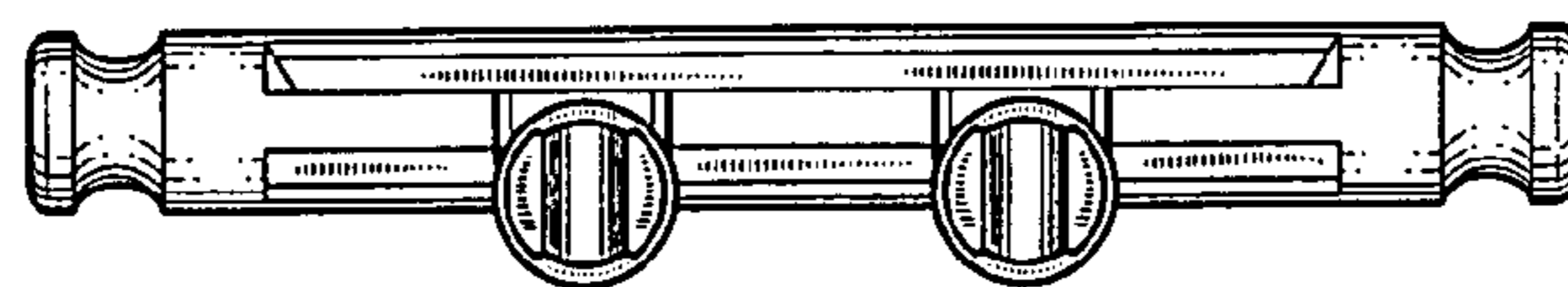


FIG. 5



FIG. 6