

US00D550781S

(12) **United States Design Patent** (10) **Patent No.:** **US D550,781 S**
Laurienzo et al. (45) **Date of Patent:** **** Sep. 11, 2007**

(54) **LAUNCHER FOR LAUNCHING A PROPELLER POWERED AIRCRAFT**

(75) Inventors: **Dominic Laurienzo**, Los Angeles, CA (US); **Brian Rosenblum**, Sherman Oaks, CA (US)

(73) Assignee: **Jakks Pacific, Inc.**, Malibu, CA (US)

(**) Term: **14 Years**

(21) Appl. No.: **29/241,245**

(22) Filed: **Oct. 24, 2005**

(51) **LOC (8) Cl.** **21-01**

(52) **U.S. Cl.** **D21/454**

(58) **Field of Classification Search** D21/301, D21/320, 324, 333, 398, 436-455, 458, 461, D21/564-566; D14/411-416, 388, 418; D8/29.1, 30, 61, 62, 68, 107, 300, 301, 303, D8/307, 310, 312, DIG. 7; 446/36-48, 57-60, 446/233-266, 429, 430, 435; 124/4-9, 26, 124/79, 31, 41.1, 42, 81

See application file for complete search history.

(56) **References Cited**

U.S. PATENT DOCUMENTS

681,499	A *	8/1901	Duffner	446/252
D197,570	S *	2/1964	Endris	D21/461
3,246,424	A *	4/1966	Gregory	446/40
3,570,467	A *	3/1971	Belokin, Jr.	124/26
3,701,216	A *	10/1972	Smith et al.	446/429
4,165,580	A *	8/1979	Miura	446/46
5,545,068	A *	8/1996	Asbaghi	446/39
5,611,322	A *	3/1997	Matsuzaki et al.	124/6

D386,220	S *	11/1997	Schossow	D21/443
D390,284	S *	2/1998	Mak	D21/454
6,089,946	A *	7/2000	Yang	446/259
2002/0098768	A1 *	7/2002	Kuo et al.	446/39
2005/0142983	A1 *	6/2005	Matsukawa et al.	446/246

* cited by examiner

Primary Examiner—Catherine Tuttle

(74) *Attorney, Agent, or Firm*—Tope-McKay & Associates

(57) **CLAIM**

The ornamental design for a launcher for launching a propeller powered aircraft, as shown and described.

DESCRIPTION

FIG. 1 is a perspective view of a launcher for launching a propeller powered aircraft showing our new design;

FIG. 2 is a right orthogonal view thereof;

FIG. 3 is a left orthogonal view thereof;

FIG. 4 is an enlarged scale top orthogonal view thereof;

FIG. 5 is an enlarged scale bottom orthogonal view thereof; and

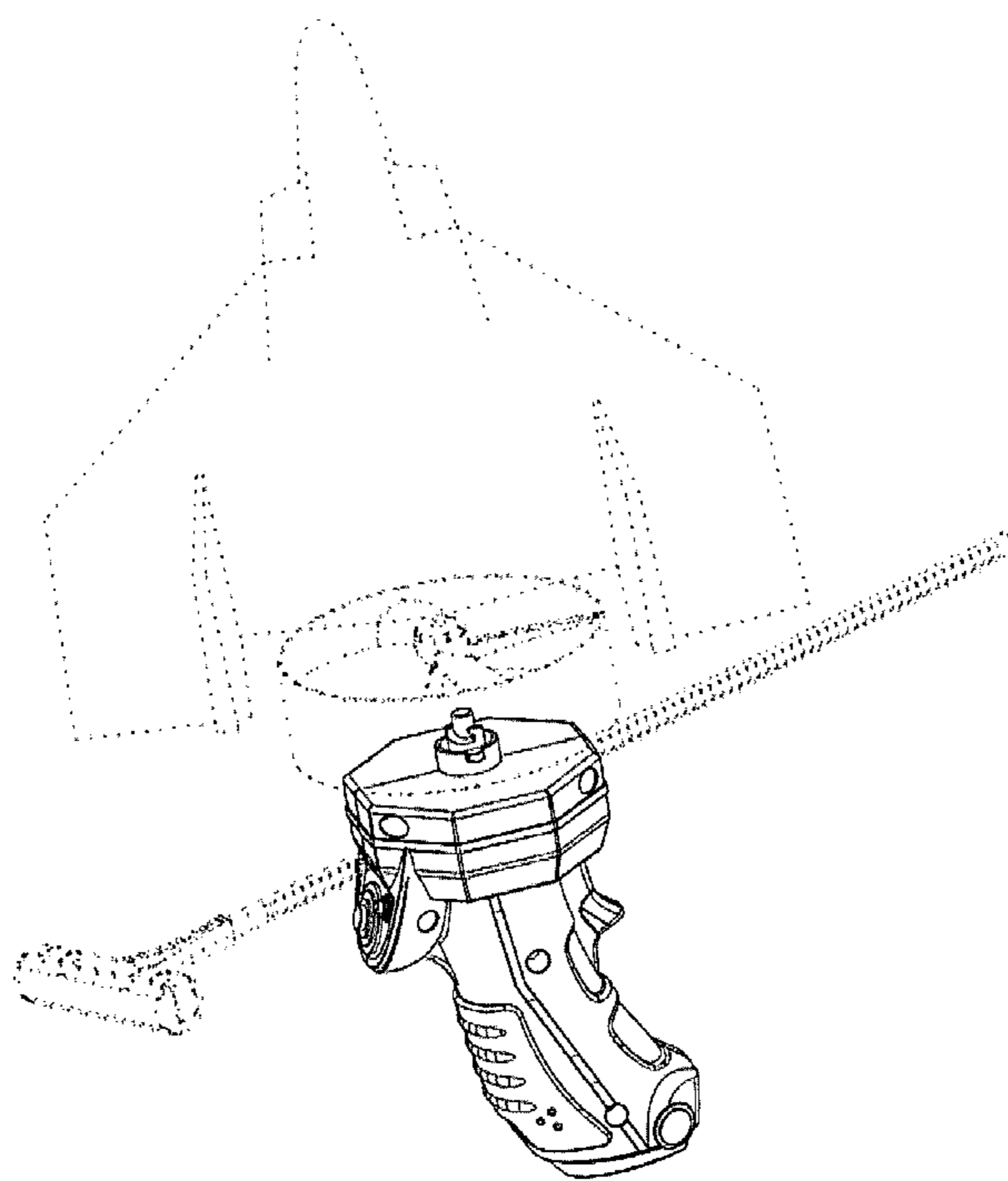
FIG. 6 is a front orthogonal view thereof;

FIG. 7 is a back orthogonal view thereof; and,

FIG. 8 is reduced scale perspective view of a launcher for launching a propeller powered aircraft design, showing an optional aircraft and cord.

The broken lines showing the aircraft and rip cord are included for the purpose of illustrating environmental structures and form no part of the claimed design.

1 Claim, 8 Drawing Sheets



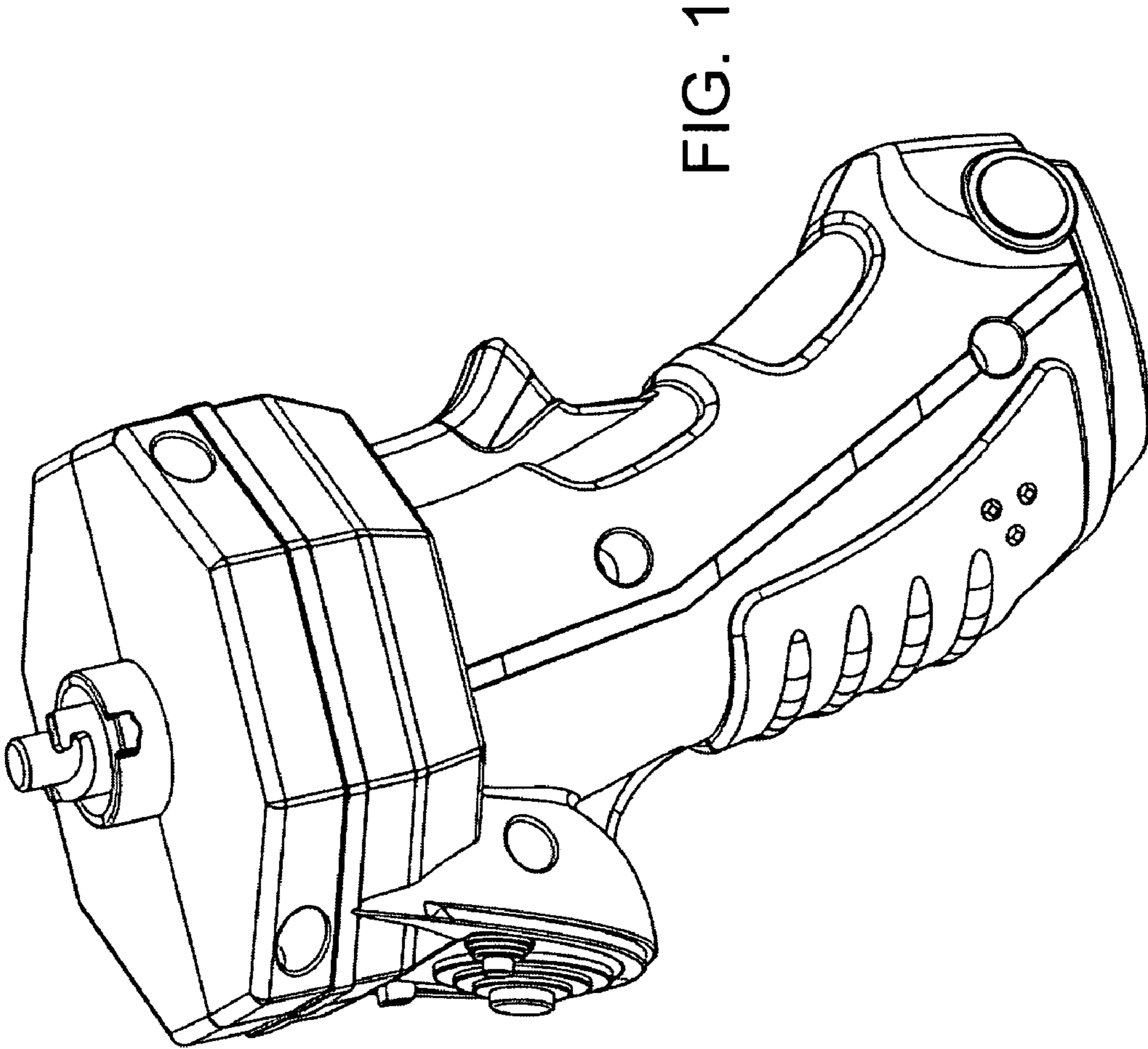
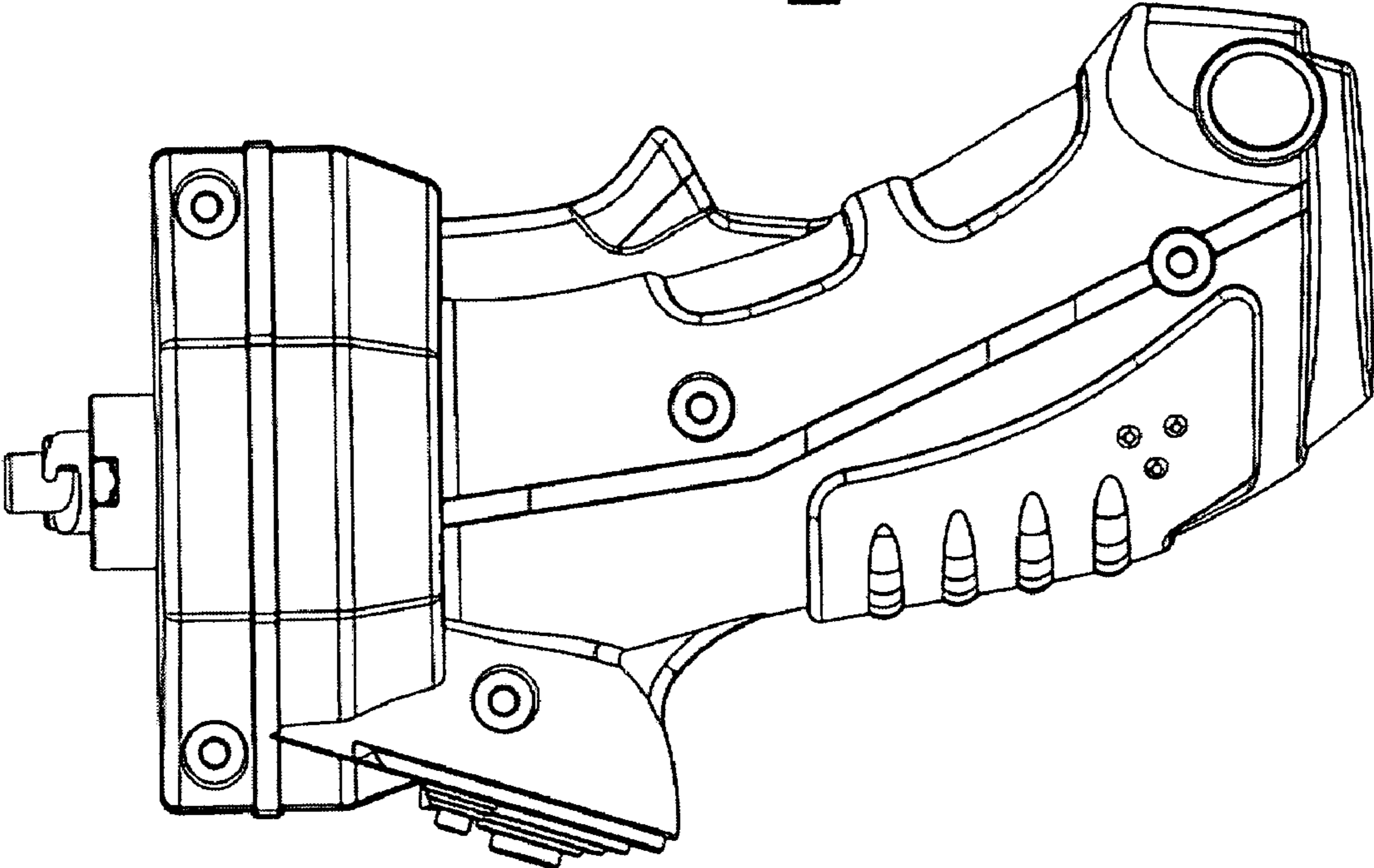


FIG. 2



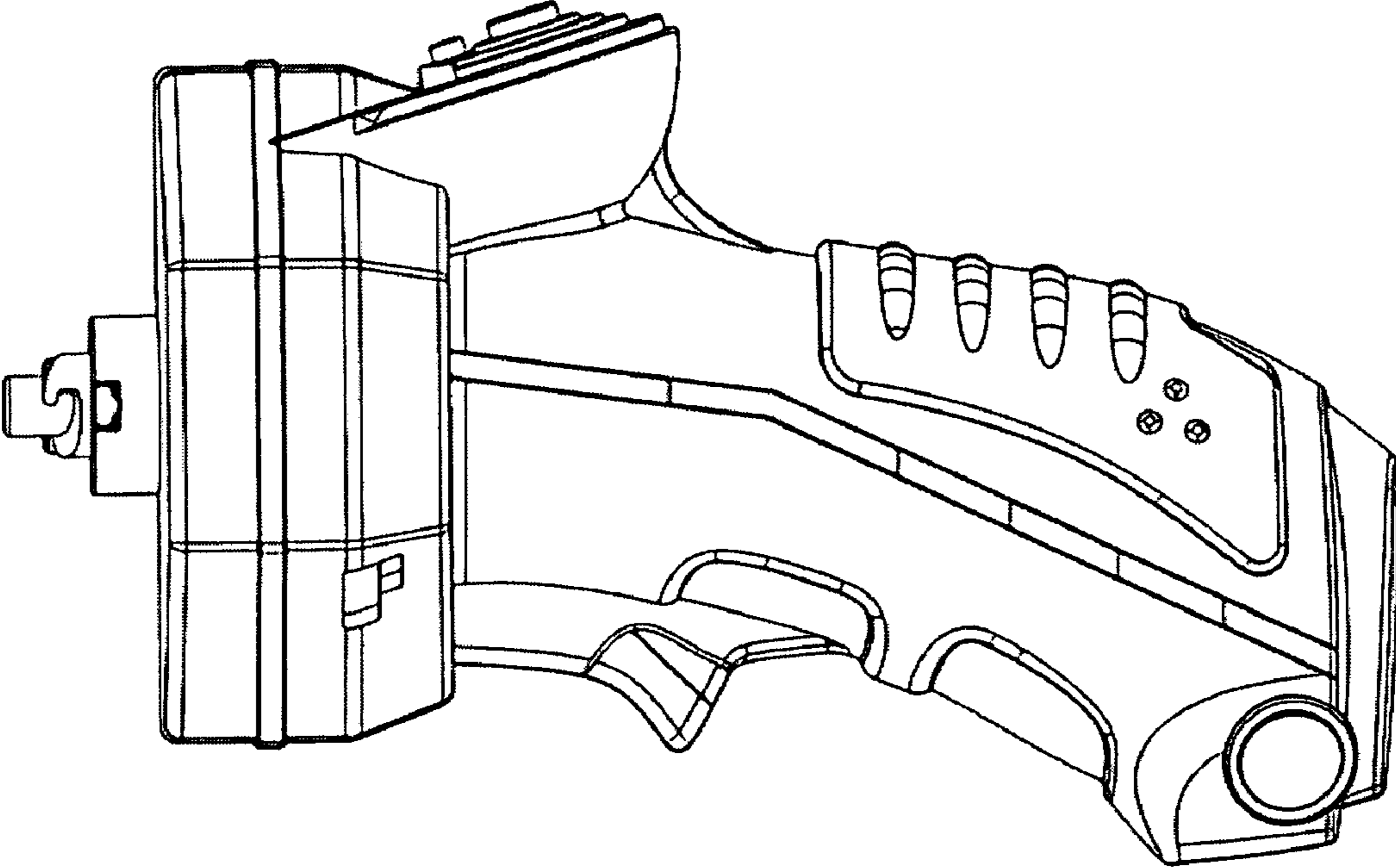


FIG. 3

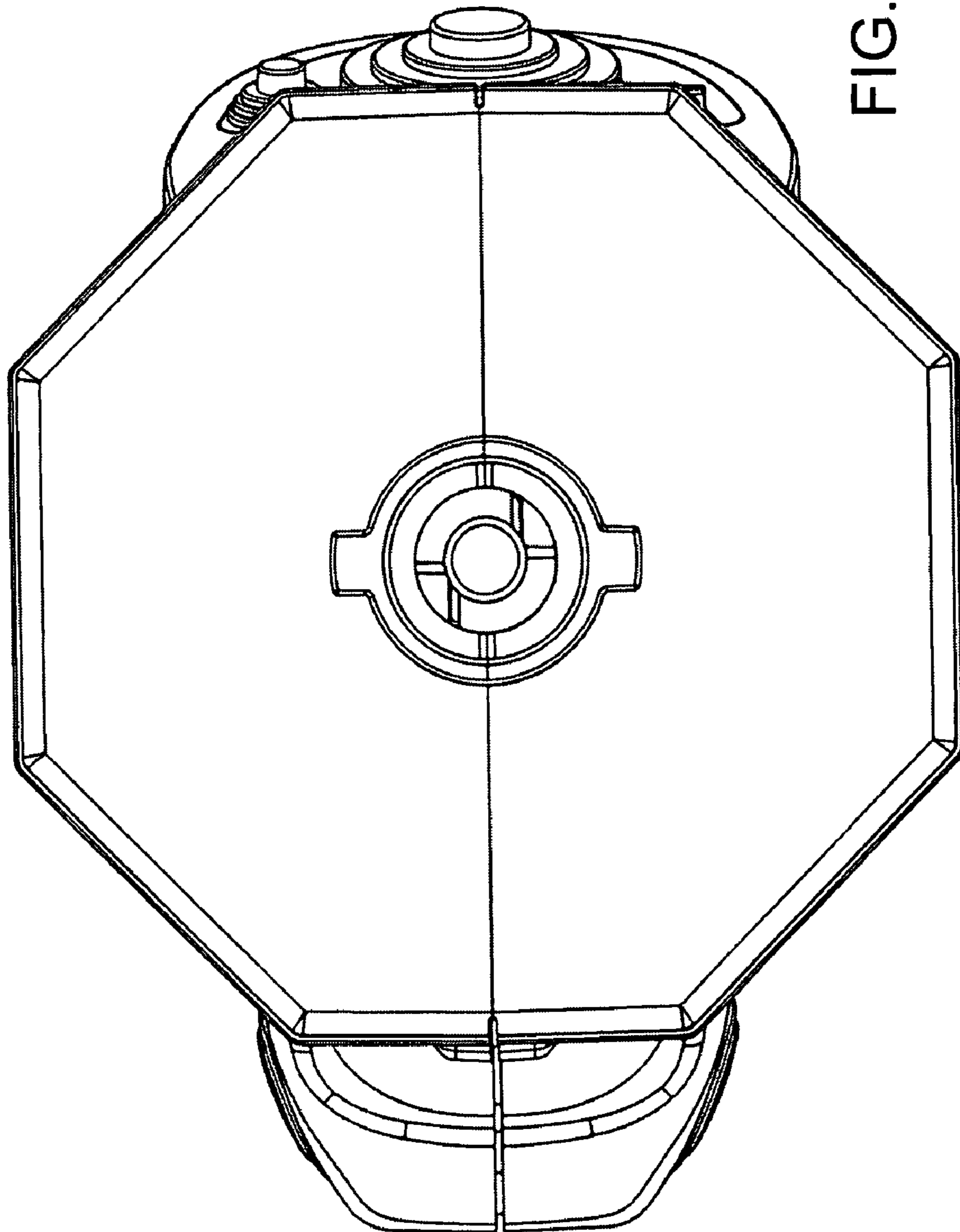


FIG. 4

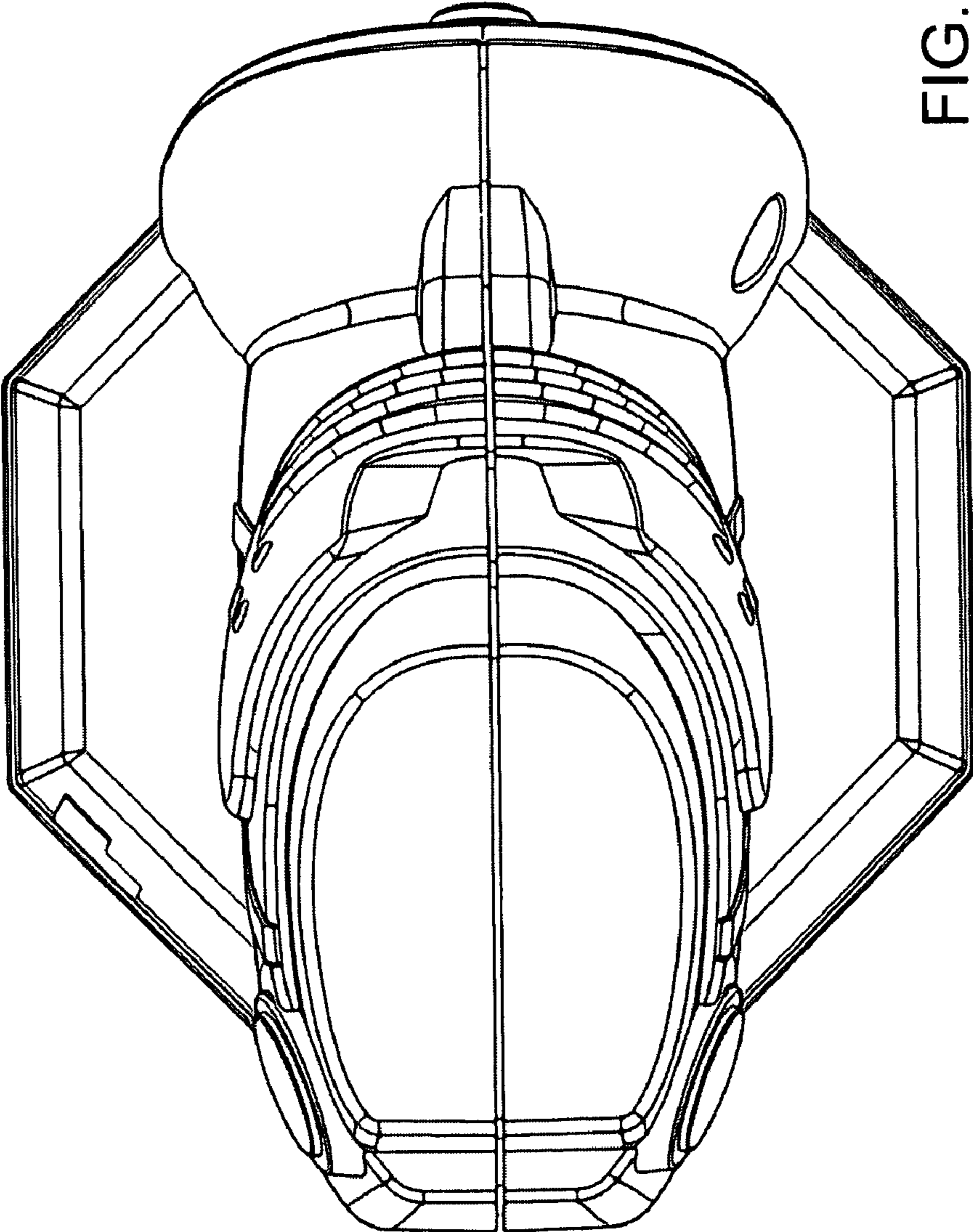


FIG. 5

FIG. 6

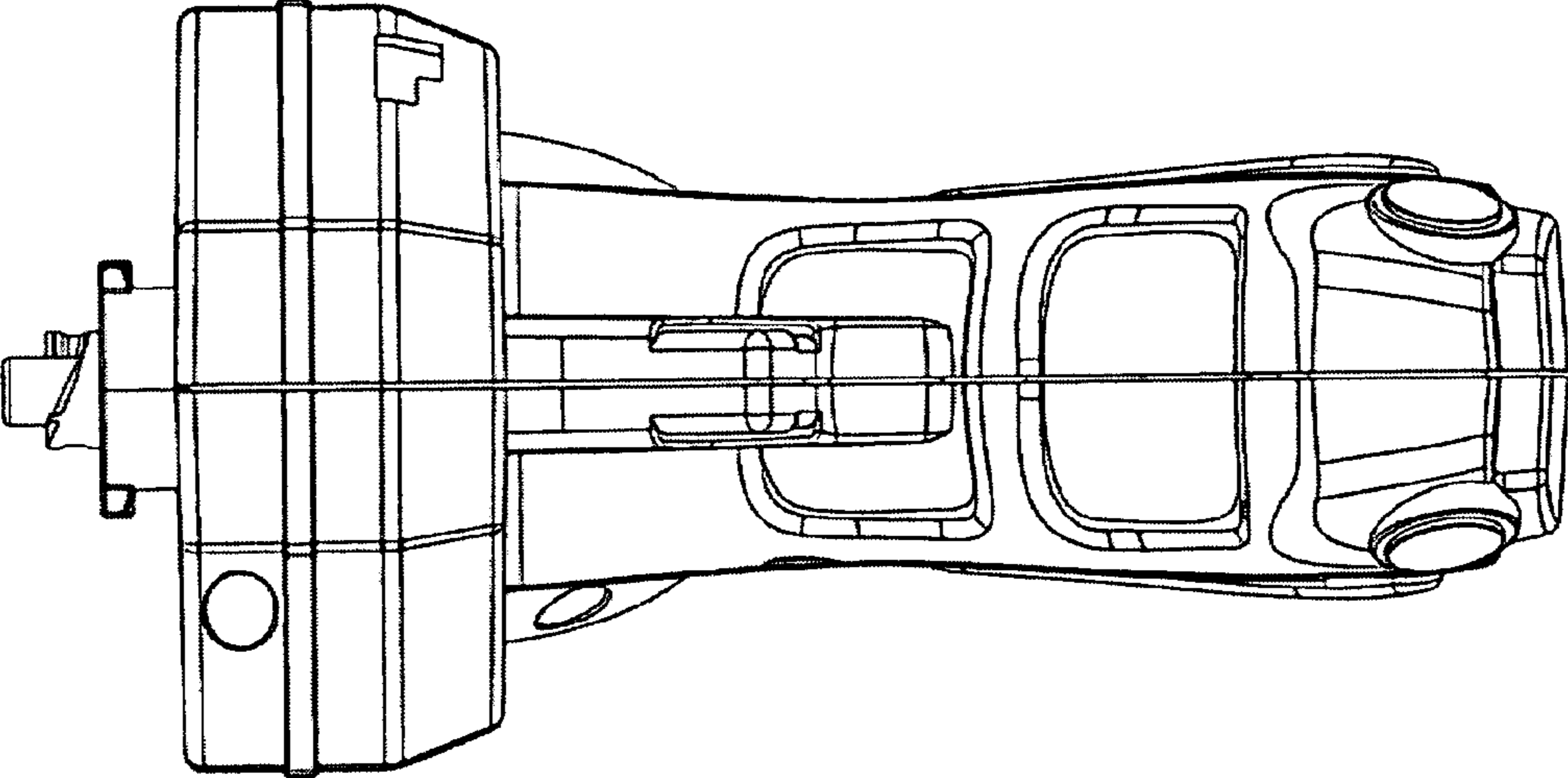
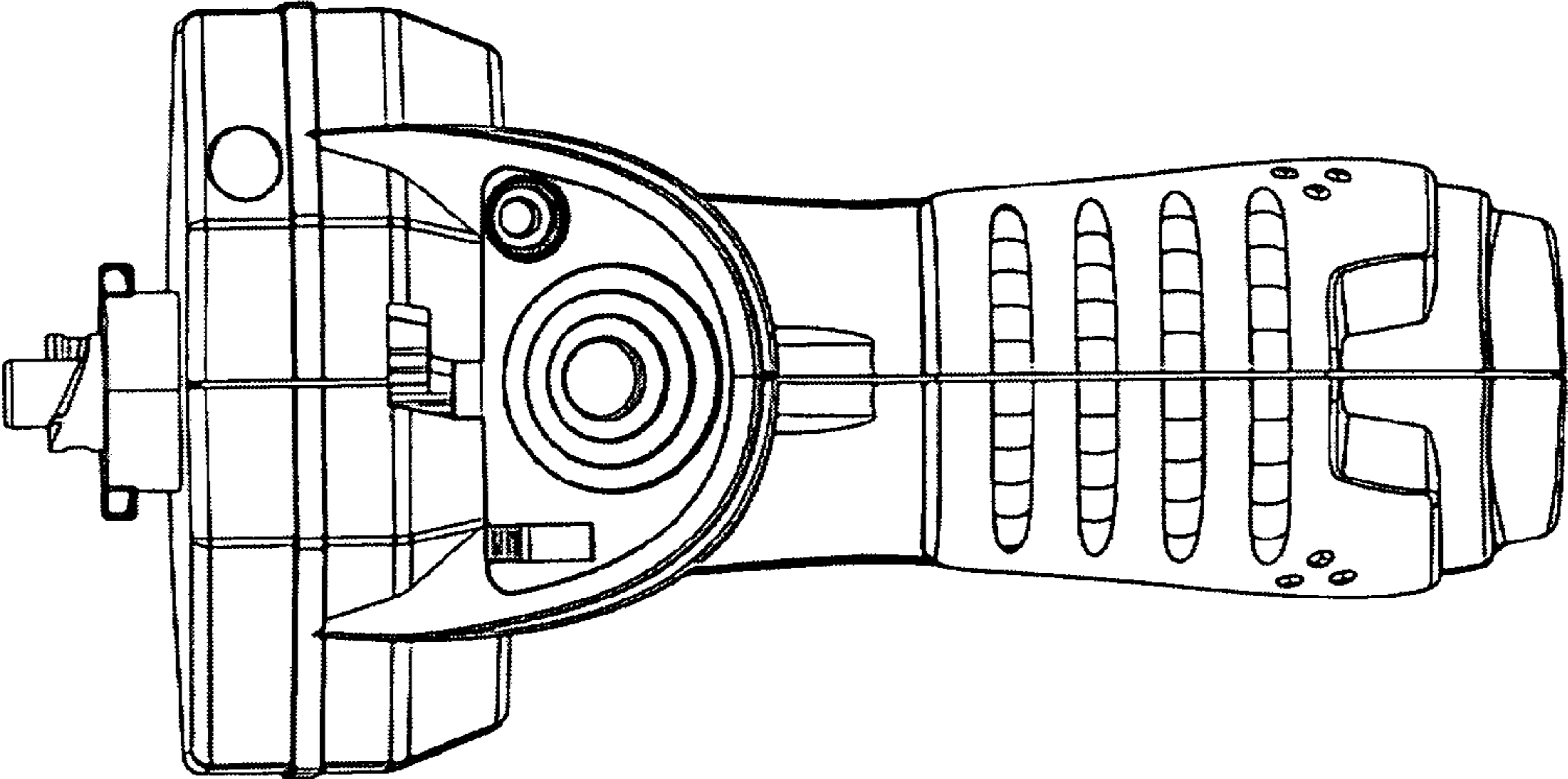


FIG. 7



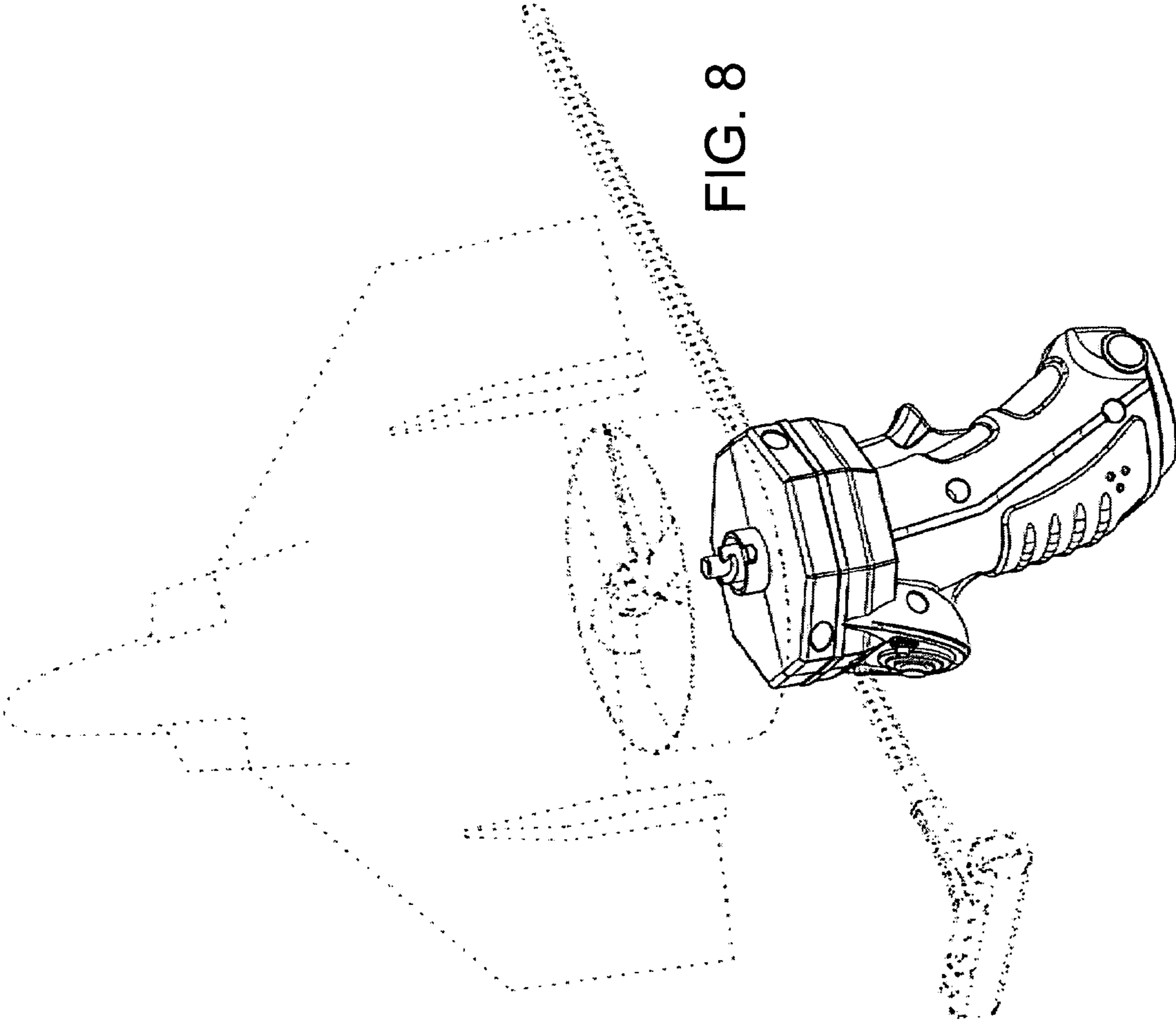


FIG. 8