



US00D550772S

(12) **United States Design Patent**
Geddes

(10) **Patent No.:** **US D550,772 S**

(45) **Date of Patent:** **** Sep. 11, 2007**

(54) **ERASER CAP FOR A WRITING INSTRUMENT**

(75) Inventor: **William T. Geddes**, Cockeysville, MD (US)

(73) Assignee: **Raymond Geddes & Company, Inc.**, Baltimore, MD (US)

(**) Term: **14 Years**

(21) Appl. No.: **29/232,469**

(22) Filed: **Jun. 21, 2005**

(51) **LOC (8) Cl.** **19-06**

(52) **U.S. Cl.** **D19/53**

(58) **Field of Classification Search** D8/90;
D19/35, 36, 41-51, 53-57; D32/40; 15/3.53,
15/104.92, 105.51, 105.52, 118, 210.1, 231,
15/424, 425, 427, 428, 429, 430, 433, 434,
15/435; 401/49, 52, 88, 99, 104-109, 195;
451/523

See application file for complete search history.

(56) **References Cited**

U.S. PATENT DOCUMENTS

D66,797 S * 3/1925 Hasselquist D19/46
D92,581 S * 6/1934 Chesler D27/152
2,144,014 A * 1/1939 Finck 15/105.51

3,262,425 A * 7/1966 Waugh 15/431
D220,070 S * 3/1971 Iwasaki D19/46
D326,684 S * 6/1992 Shike et al. D19/49
D328,918 S * 8/1992 Buda et al. D19/49
D356,598 S * 3/1995 Thompson et al. D19/49
D466,155 S * 11/2002 Brunetti D19/49
D502,215 S * 2/2005 Hung D19/36

* cited by examiner

Primary Examiner—Elizabeth A. Albert

(74) *Attorney, Agent, or Firm*—Sterne, Kessler, Goldstein & Fox P.L.L.C.

(57) **CLAIM**

The ornamental design for an eraser cap for a writing instrument, as shown and described.

DESCRIPTION

FIG. 1 is a perspective view showing my new design of an eraser cap for a writing instrument;

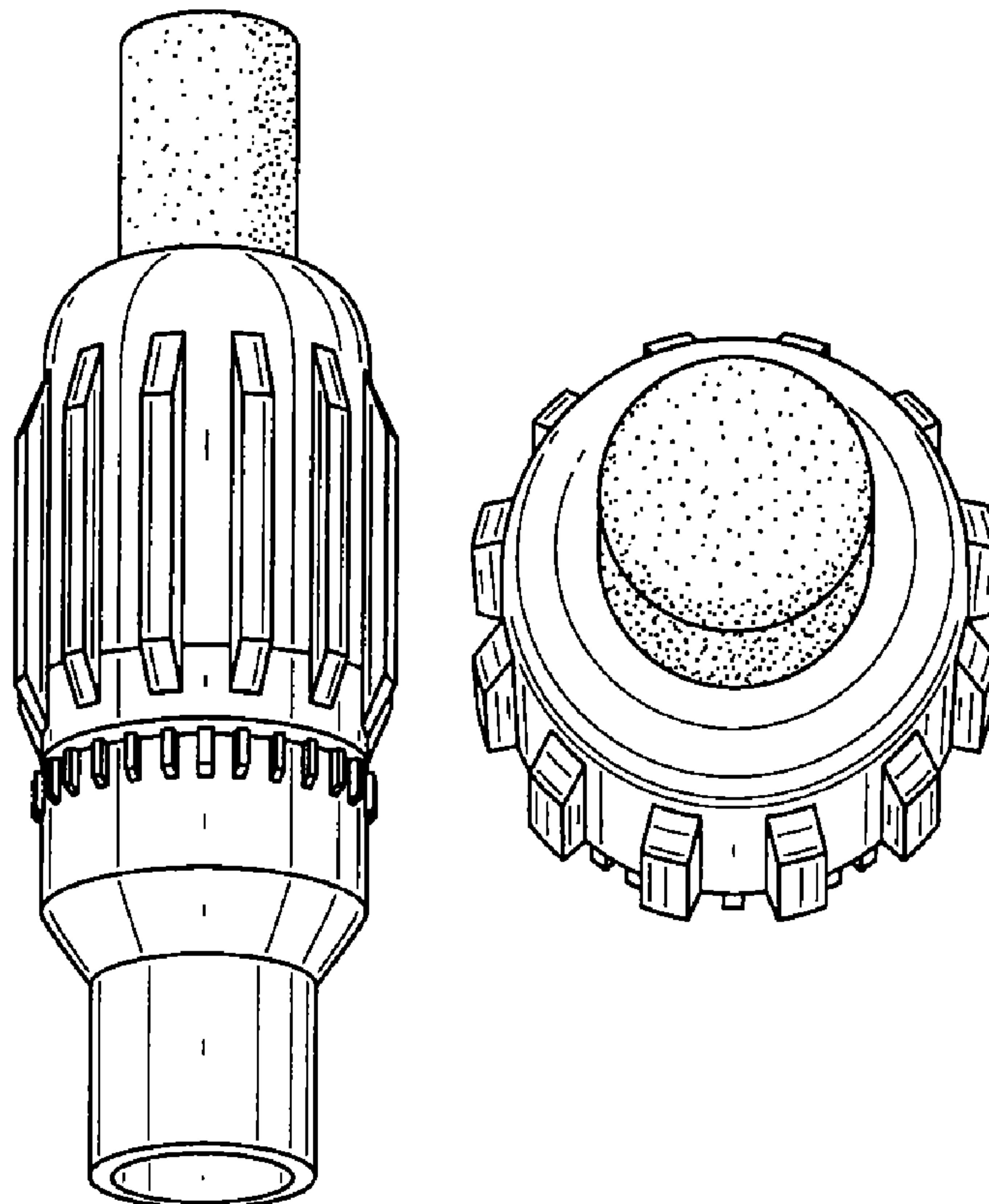
FIG. 2 is another perspective view thereof;

FIG. 3 is a top perspective view thereof; and,

FIG. 4 is a bottom perspective view thereof.

The dashed lines in FIG. 1 representing a pencil are included for environmental purposes only and form no part of the claimed design.

1 Claim, 4 Drawing Sheets



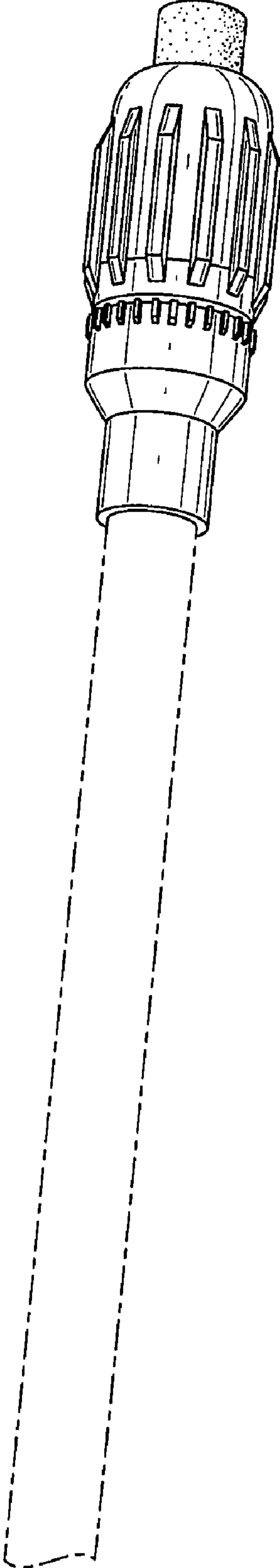


FIG. 1

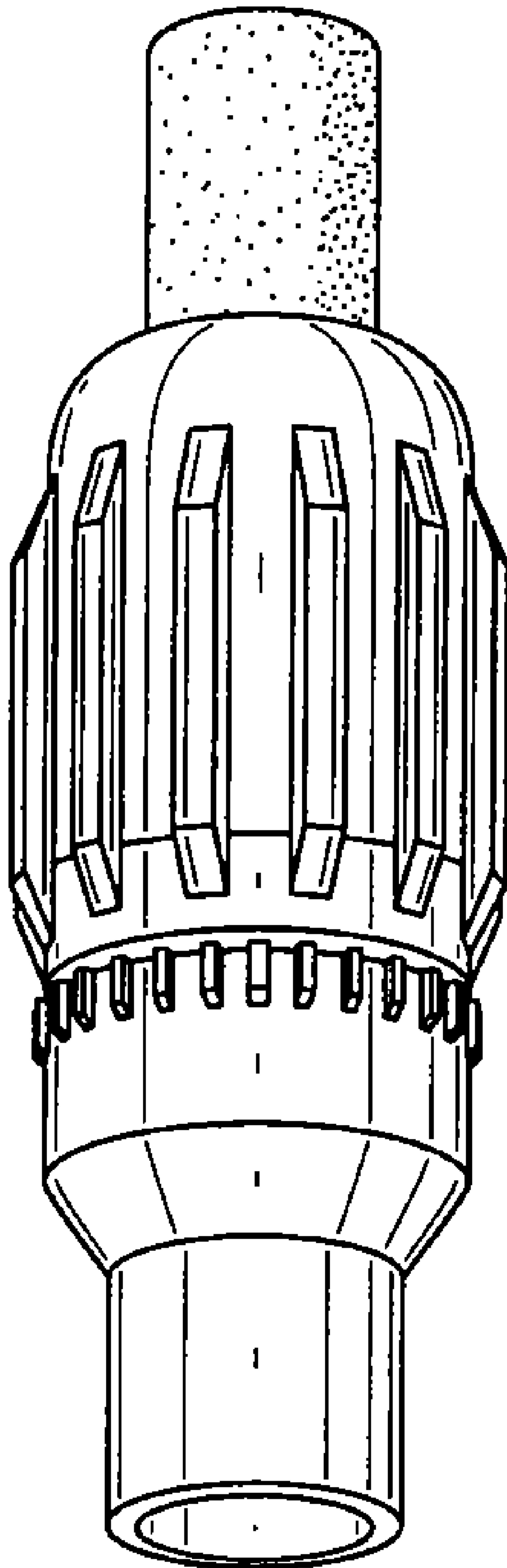


FIG. 2

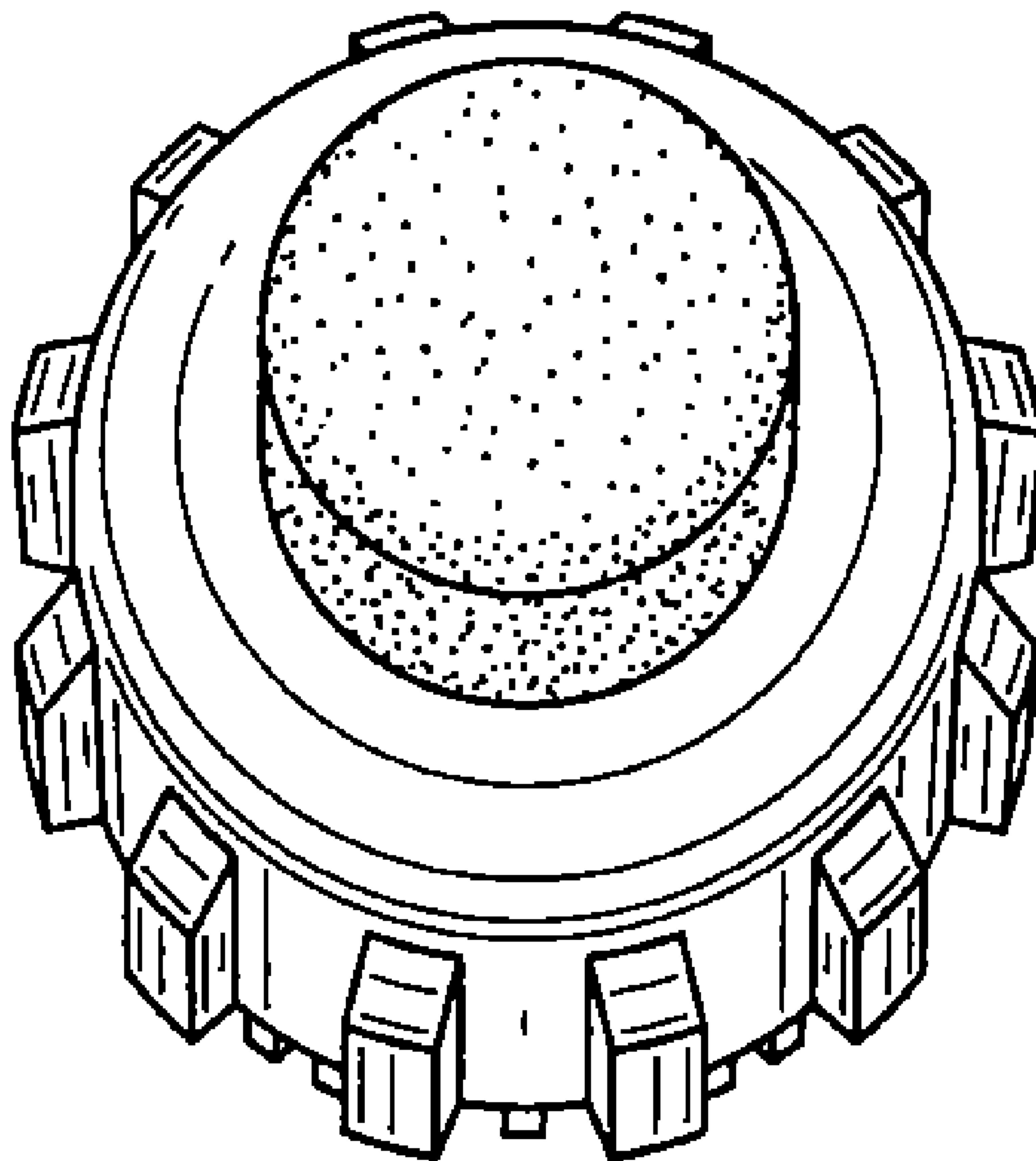


FIG. 3

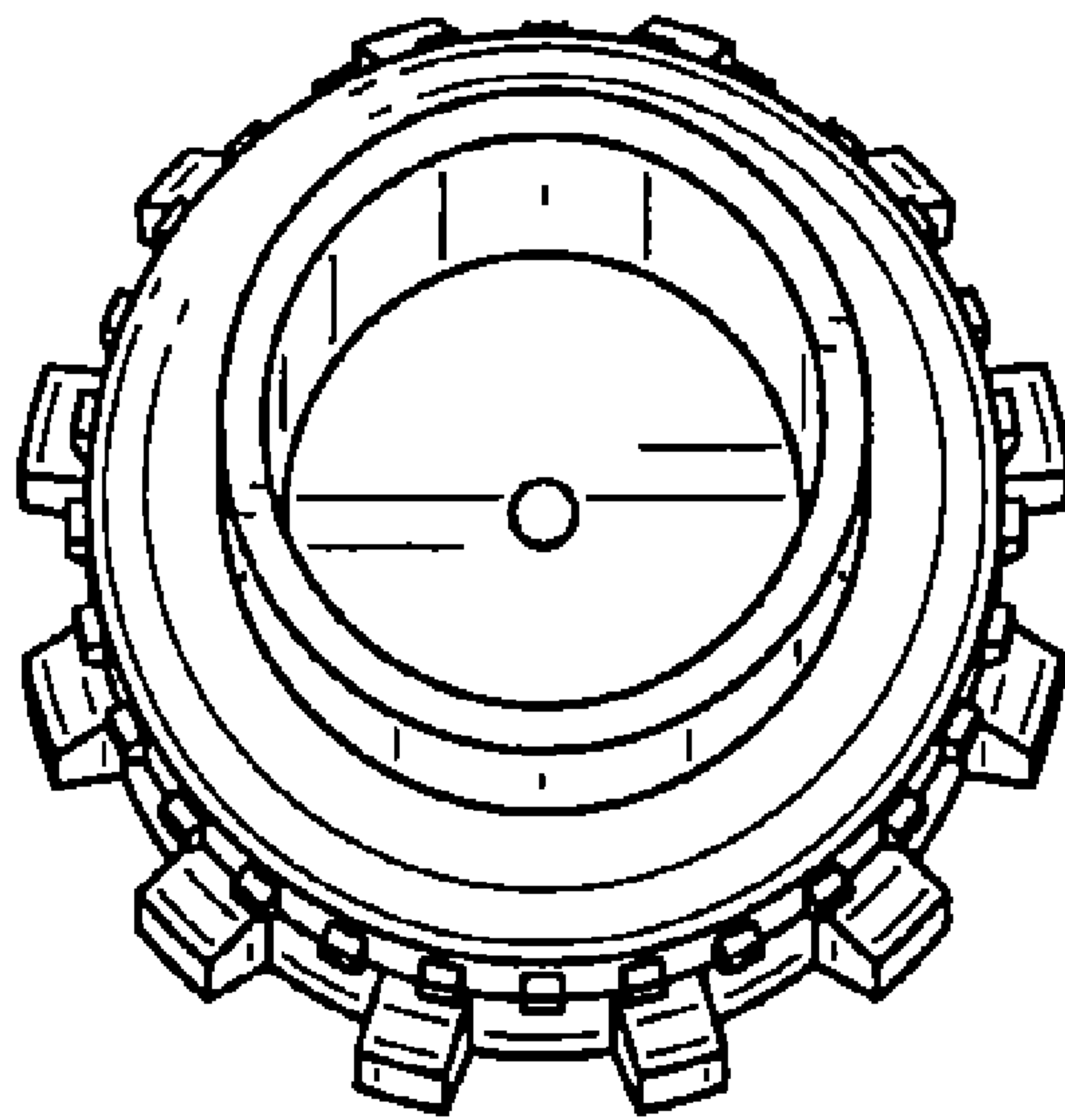


FIG. 4