



US00D550768S

(12) **United States Design Patent**  
**Hoshiya et al.**

(10) **Patent No.: US D550,768 S**

(45) **Date of Patent: \*\* Sep. 11, 2007**

(54) **PRINTER**

(75) Inventors: **Kazuhiro Hoshiya**, Nagoya (JP); **Yuzo Fukunaga**, Nagoya (JP); **Mitsuharu Hattori**, Nagoya (JP); **Yasutake Yamaguchi**, Chiryu (JP)

(73) Assignee: **Brother Industries, Ltd.**, Nagoya (JP)

(\*\*) Term: **14 Years**

(21) Appl. No.: **29/244,122**

(22) Filed: **Dec. 6, 2005**

(30) **Foreign Application Priority Data**

Jun. 30, 2005 (JP) ..... 2005-019177

(51) **LOC (8) Cl.** ..... **14-02**

(52) **U.S. Cl.** ..... **D18/55; D14/421**

(58) **Field of Classification Search** ..... D18/14,  
D18/36-39, 46-49, 50, 54, 54.1, 55; D14/420-425,  
D14/462-470; 399/107; 400/613, 613.1-613.4,  
400/690.1-690.4, 691-694  
See application file for complete search history.

(56) **References Cited**

**U.S. PATENT DOCUMENTS**

D501,667 S \* 2/2005 Ishigami et al. .... D18/50  
D502,500 S \* 3/2005 Hoshiya et al. .... D18/50  
D518,514 S \* 4/2006 Hoshiya et al. .... D18/55  
D518,515 S \* 4/2006 Miyauchi et al. .... D18/55  
D528,154 S \* 9/2006 Hattori ..... D18/54

D528,155 S \* 9/2006 Katayama ..... D18/55  
D528,596 S \* 9/2006 Hattori ..... D18/54  
D529,951 S \* 10/2006 Katayama et al. .... D18/53  
D532,449 S \* 11/2006 Tjin Wong Joe et al. .... D18/55  
D532,450 S \* 11/2006 Smith et al. .... D18/55  
D533,218 S \* 12/2006 Gant et al. .... D18/55  
D534,578 S \* 1/2007 Katayama et al. .... D18/55

\* cited by examiner

*Primary Examiner*—Cathy Anne MacCormac

(74) *Attorney, Agent, or Firm*—Oliff & Berridge, PLC

(57) **CLAIM**

The ornamental design for printer, as shown and described.

**DESCRIPTION**

FIG. 1 is a perspective view of a printer;

FIG. 2 is a front view thereof;

FIG. 3 is top view thereof;

FIG. 4 is a right side view thereof;

FIG. 5 is a left side view thereof;

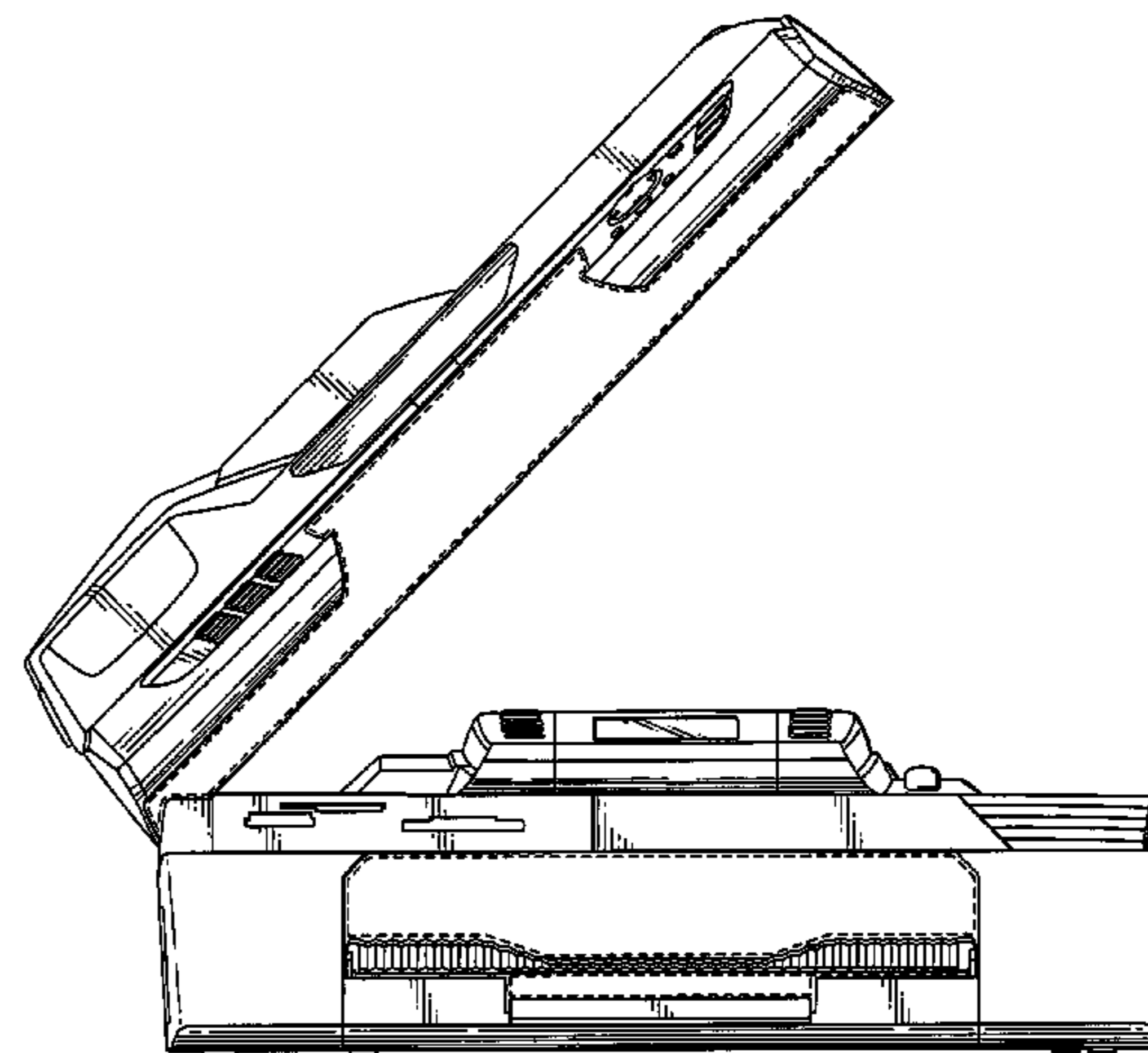
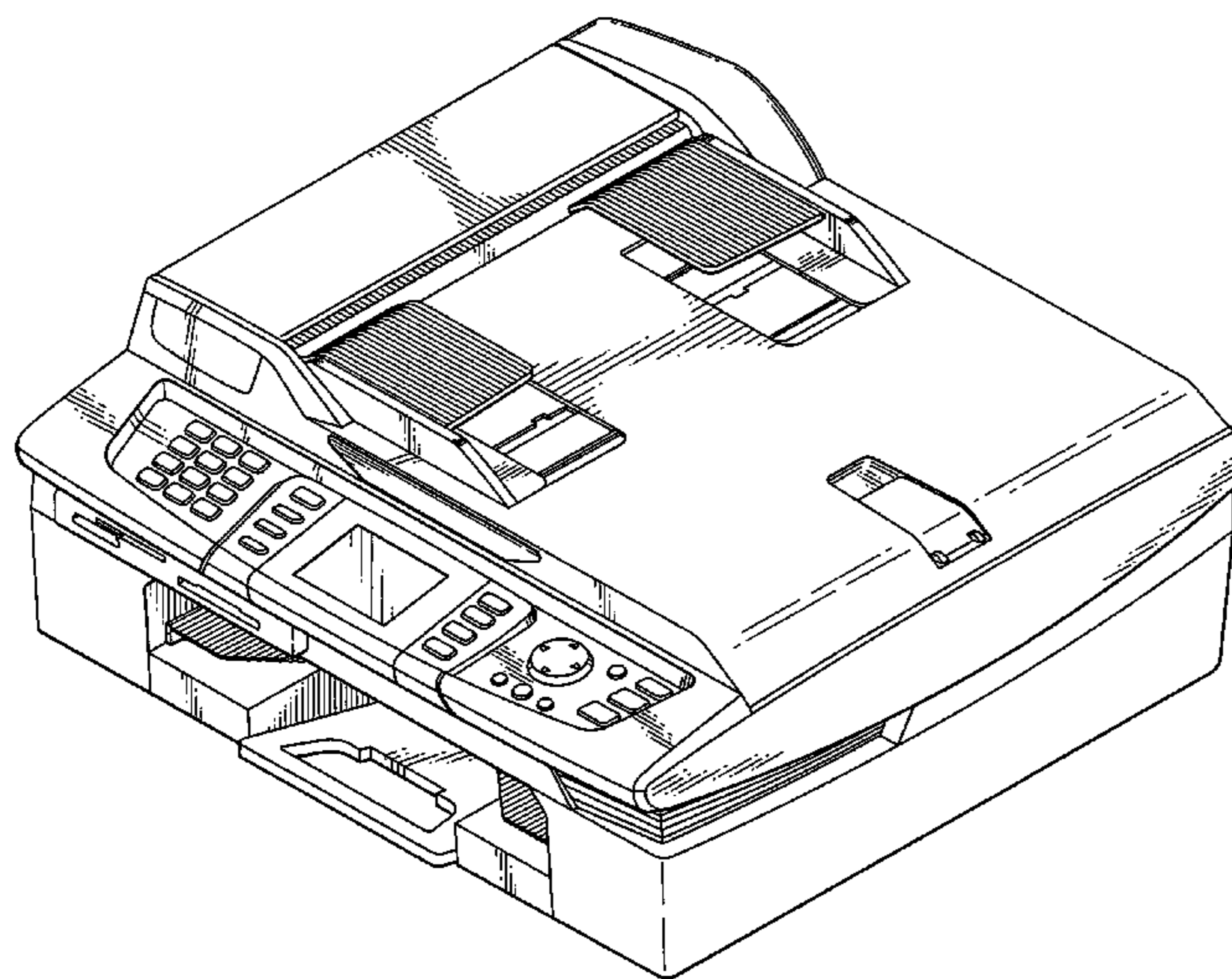
FIG. 6 is a rear view thereof;

FIG. 7 is a bottom view thereof; and,

FIG. 8 is a front view with a cover in an open position.

The broken lines illustrate a boundary line. The boundary lines and the area within the boundary lines form no part of the claimed design.

**1 Claim, 5 Drawing Sheets**



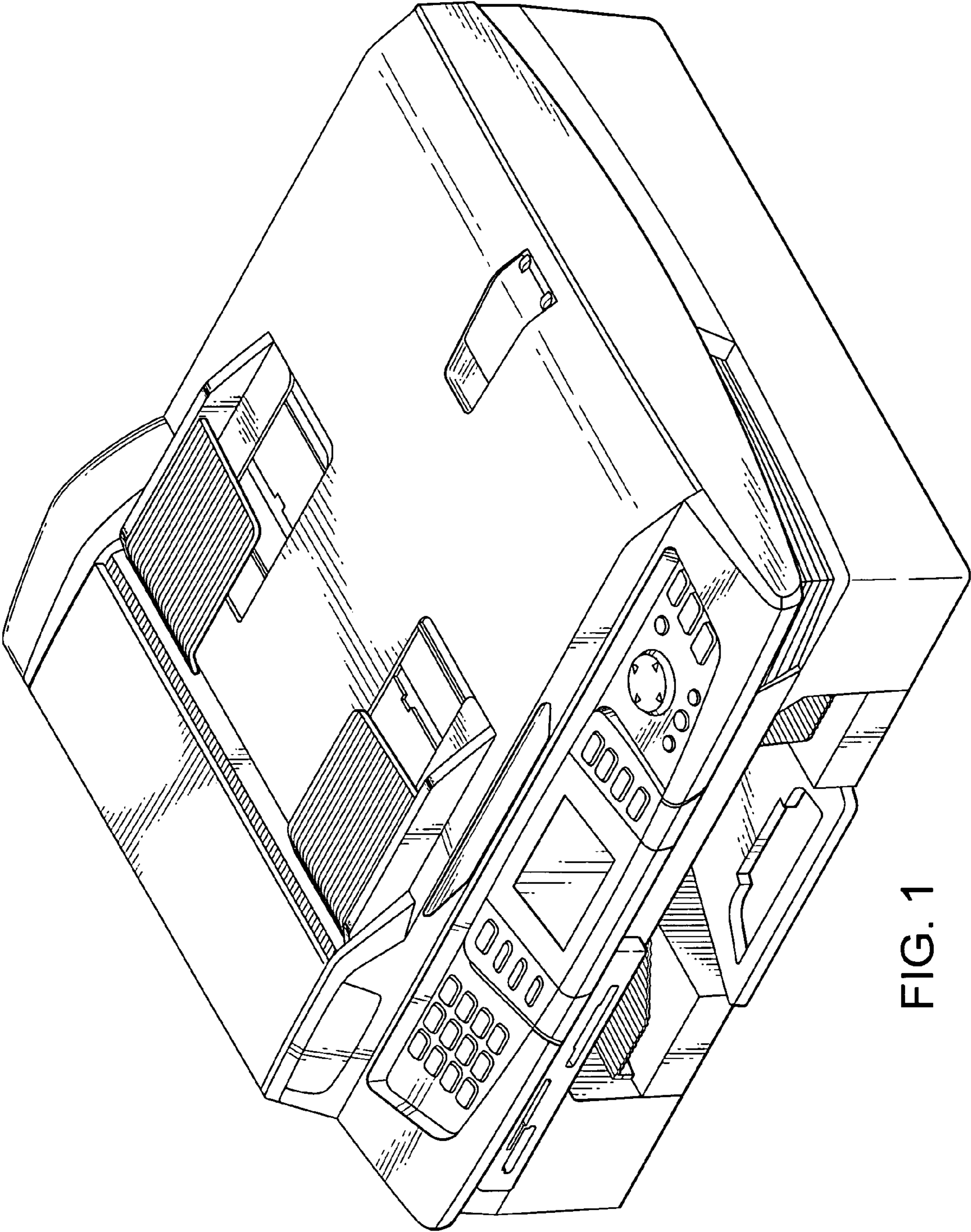


FIG. 1



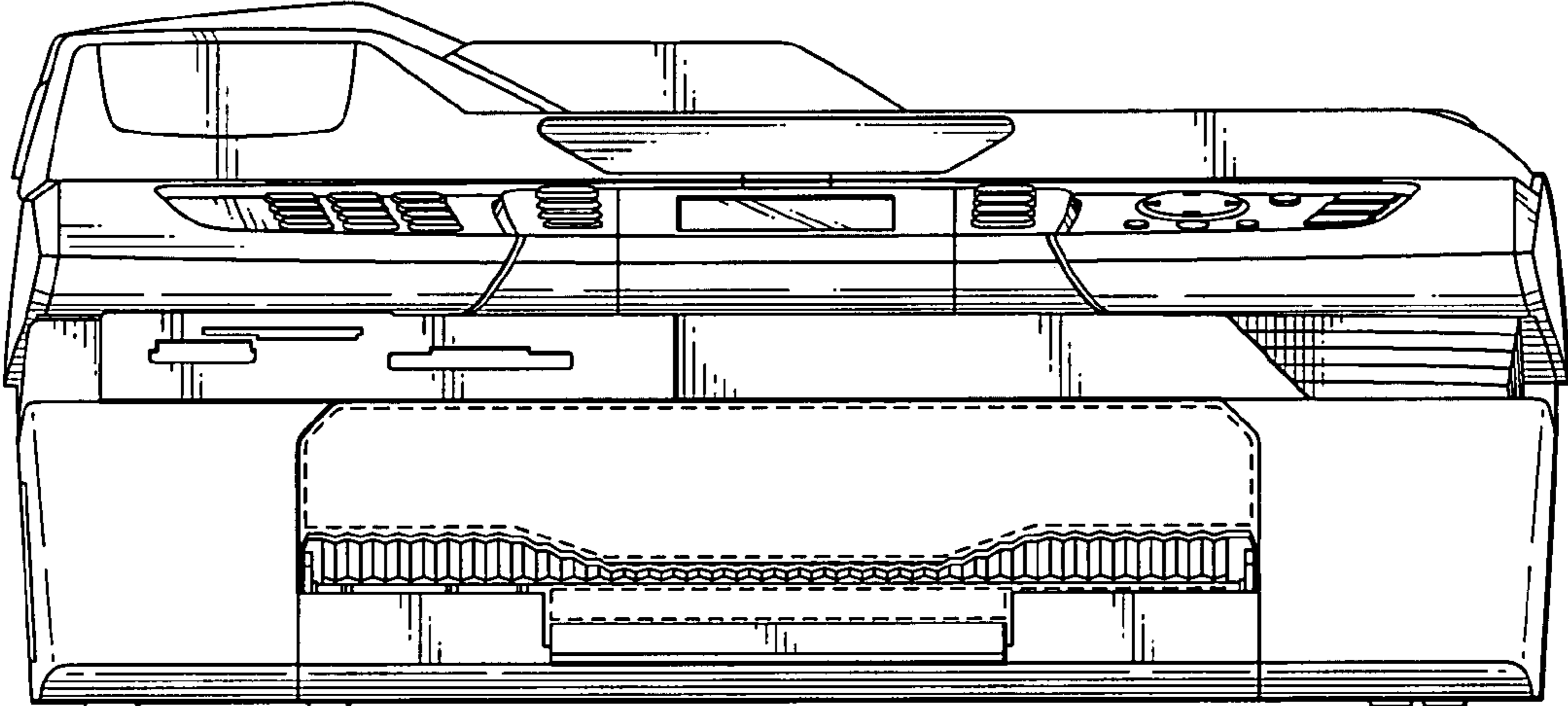


FIG. 2

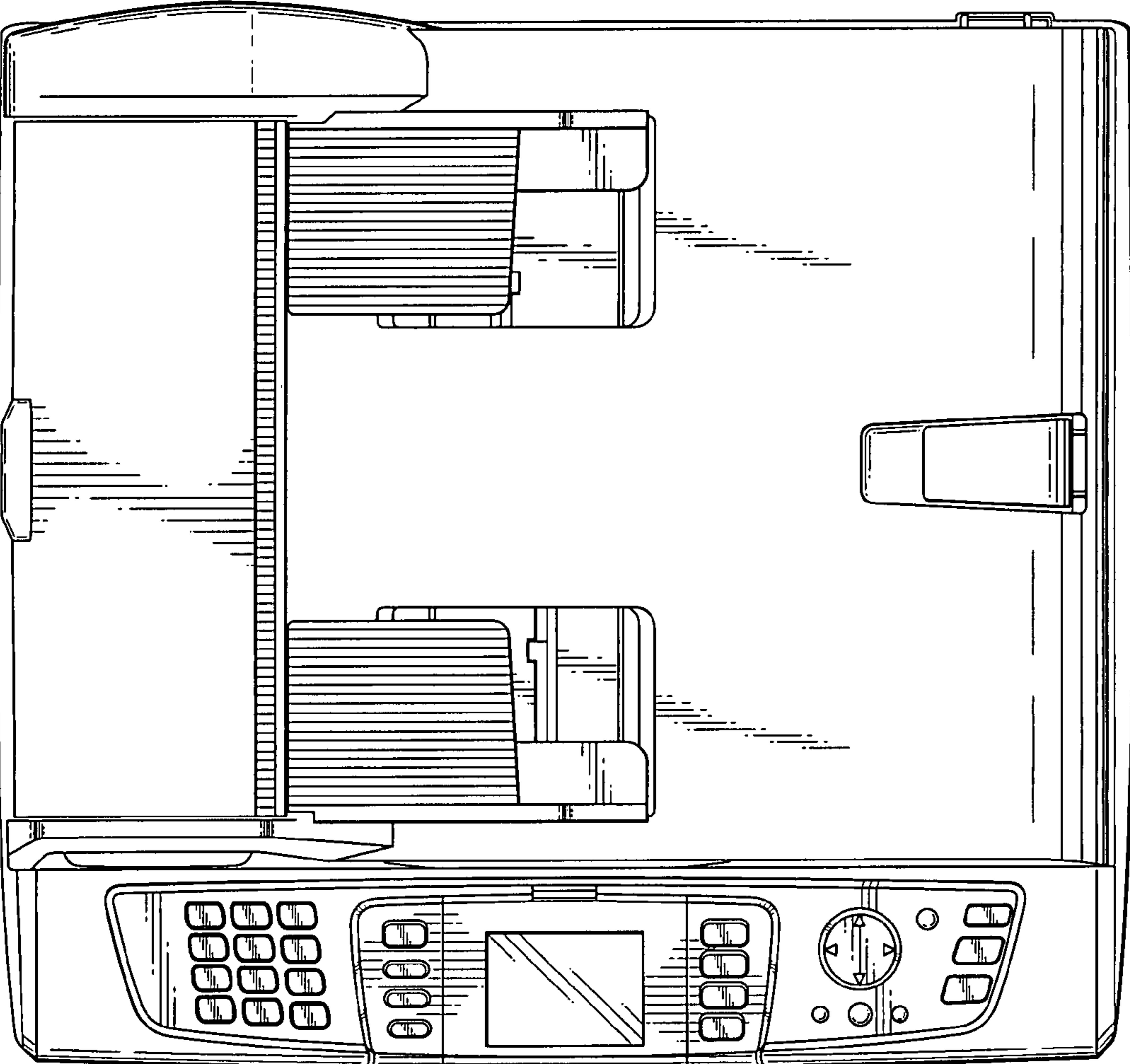


FIG. 3

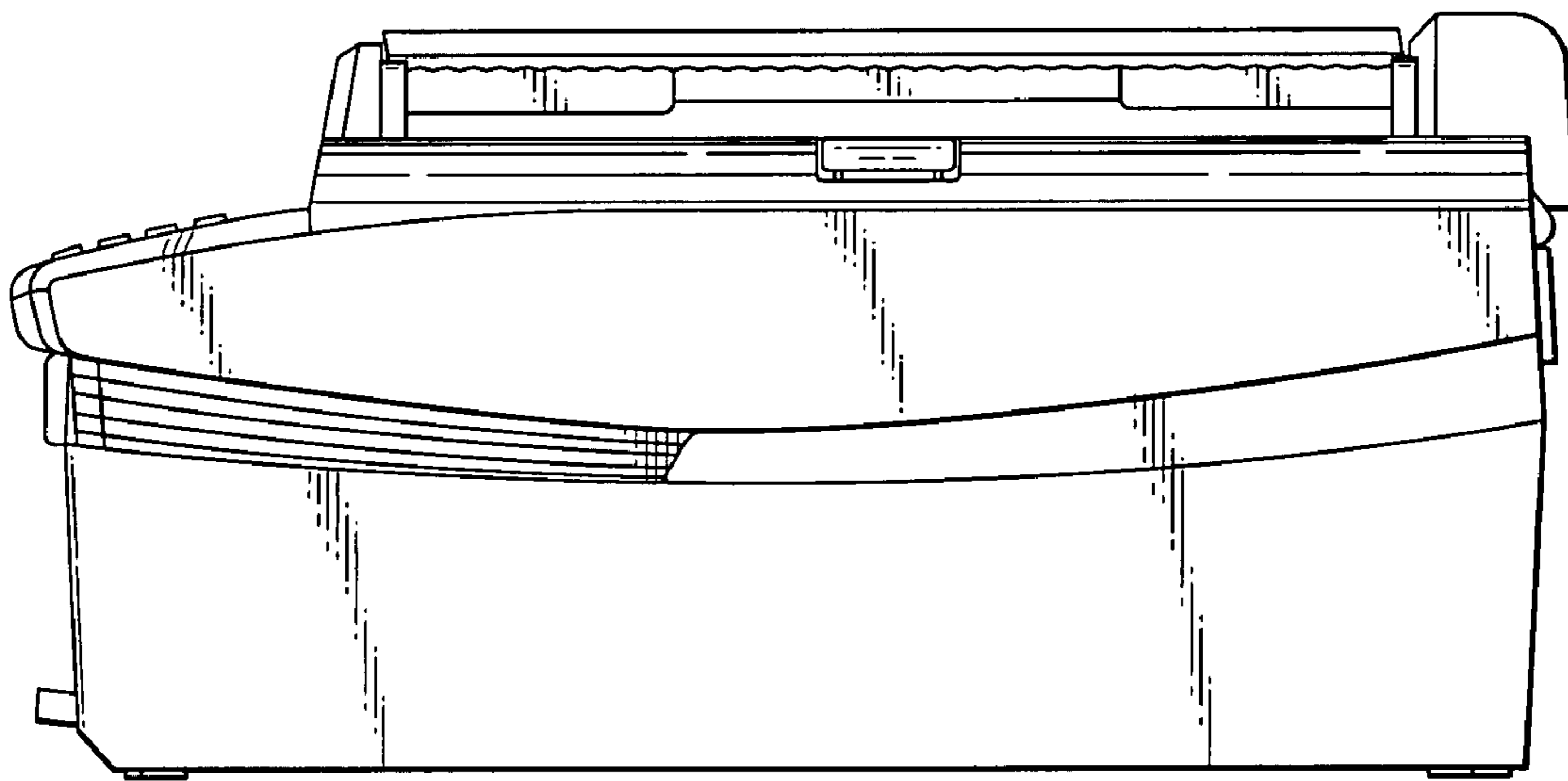


FIG. 4

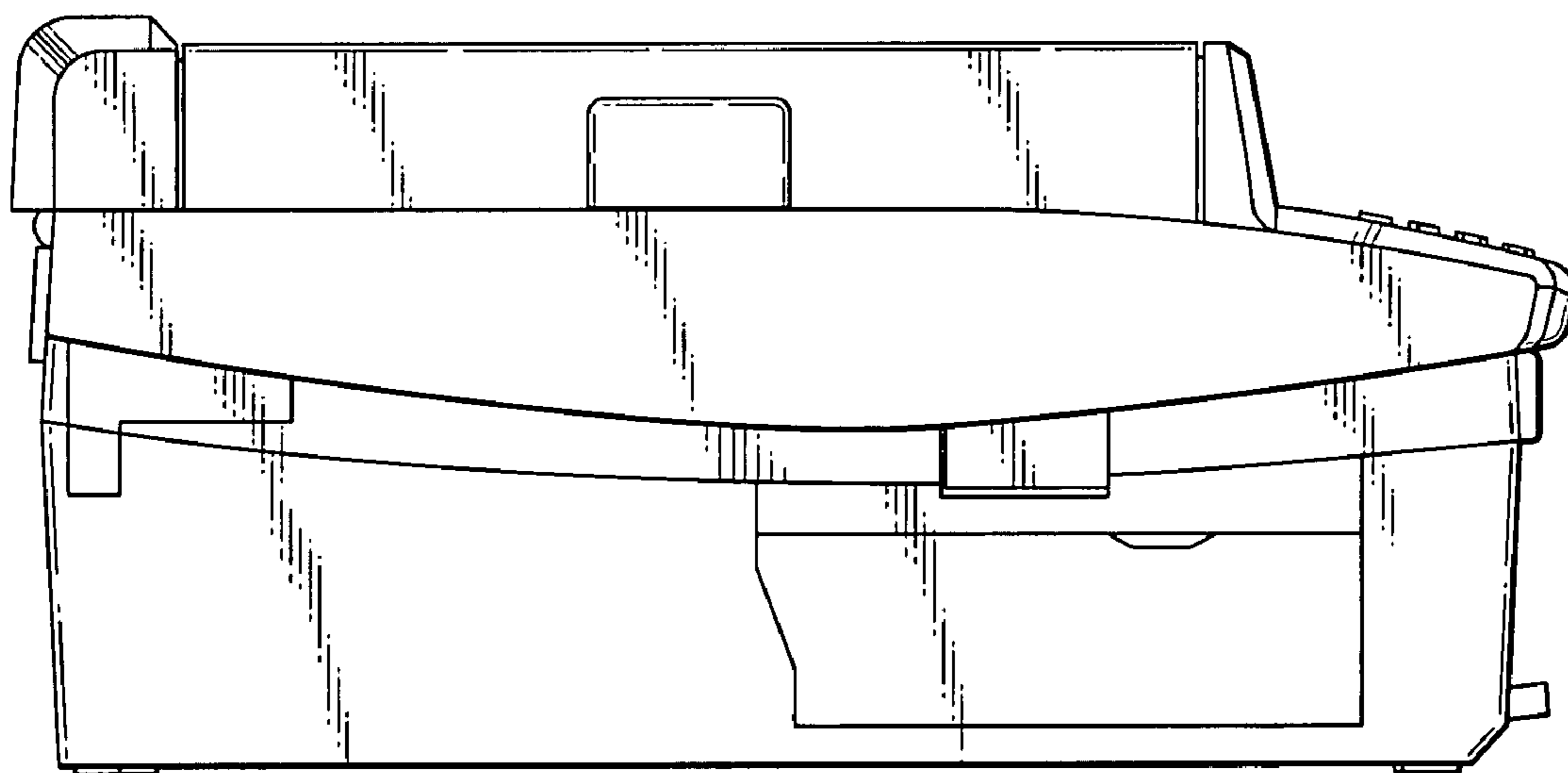


FIG. 5

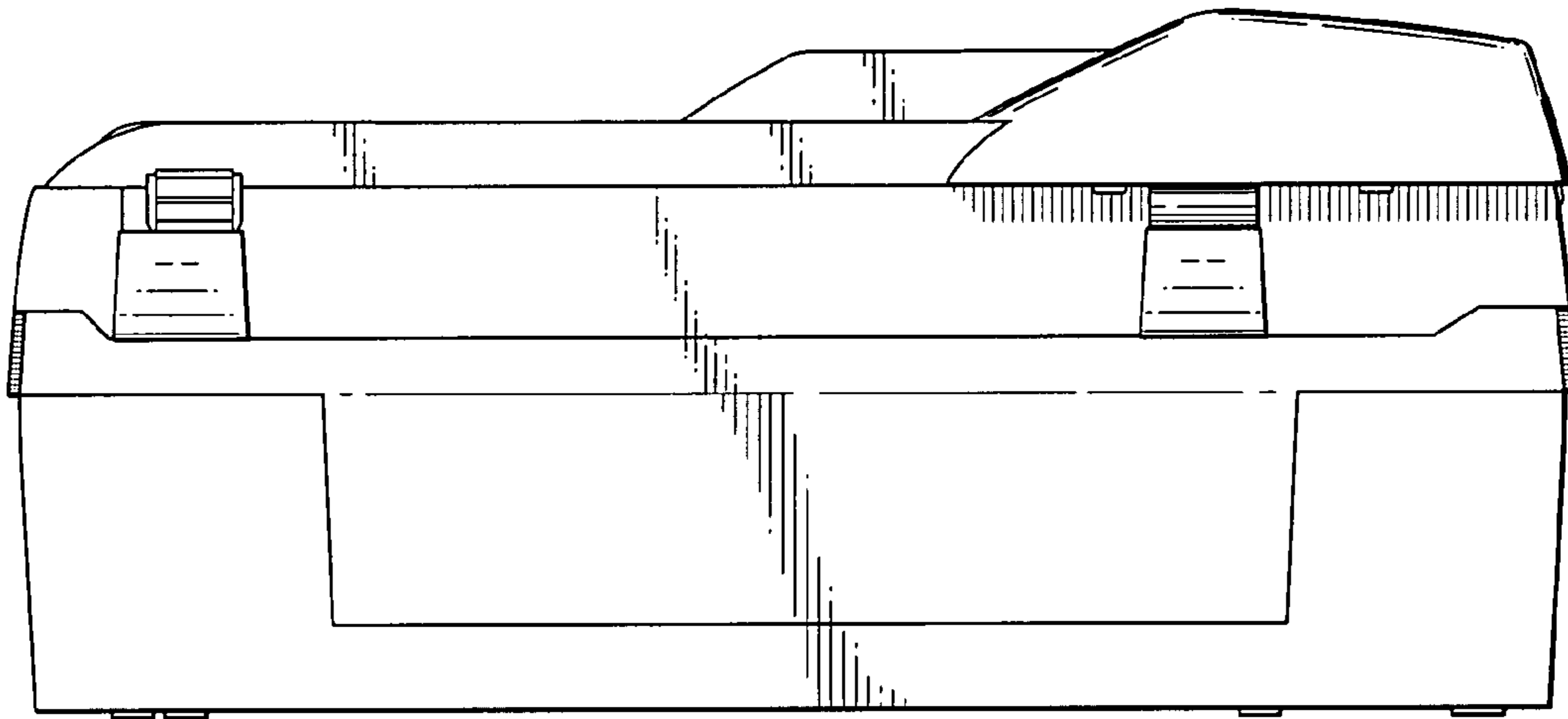


FIG. 6

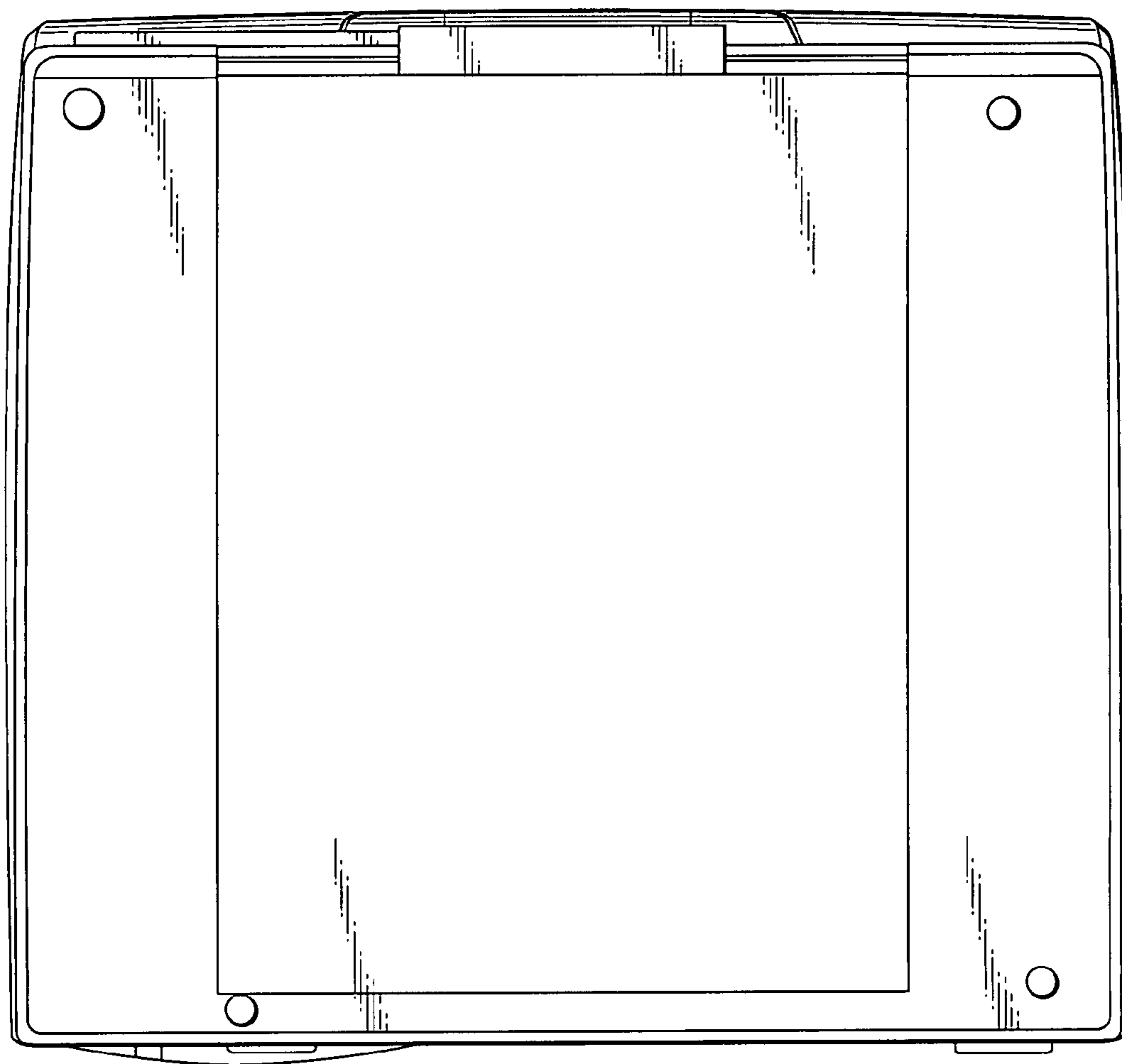


FIG. 7

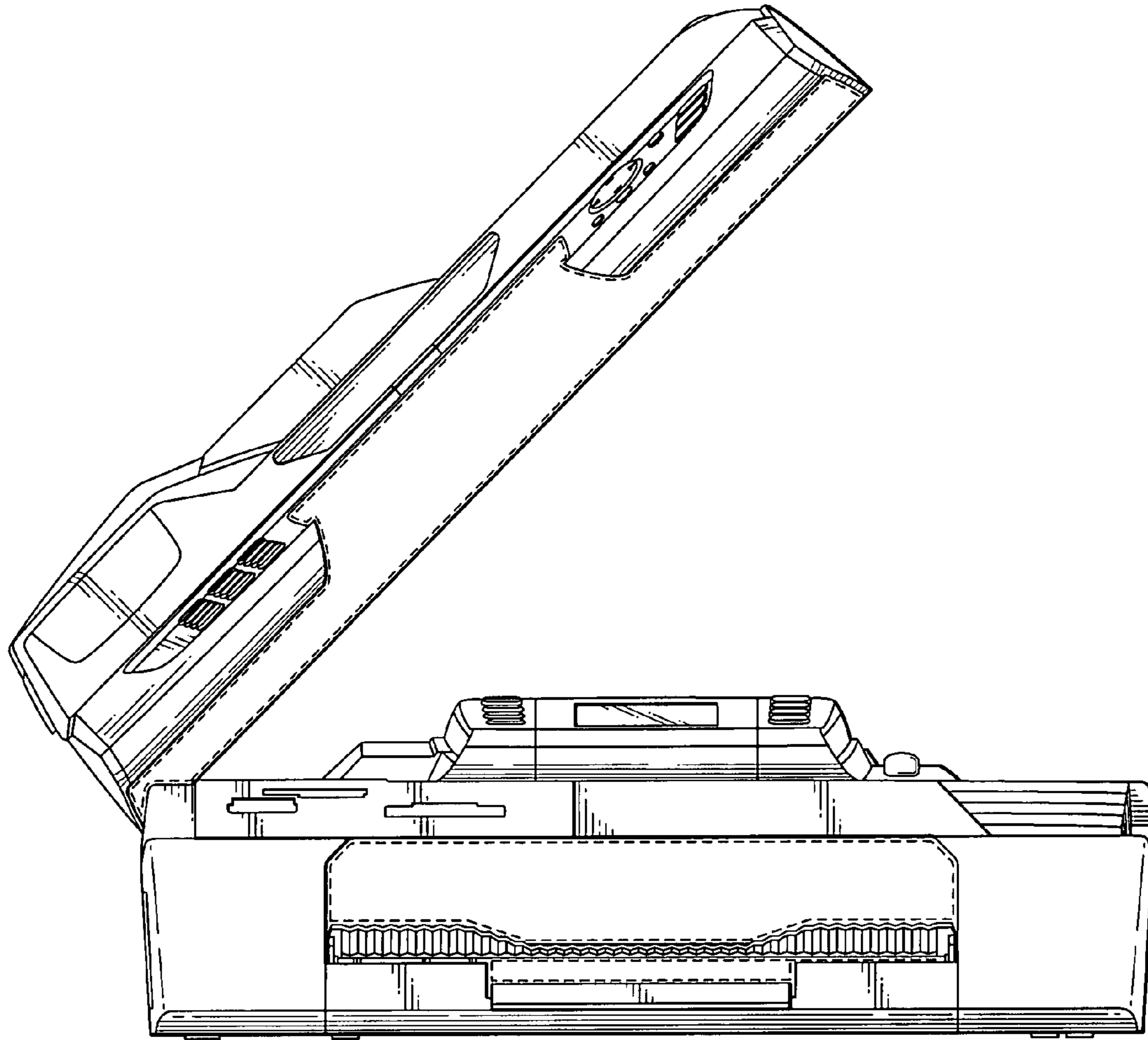


FIG. 8