



US00D550767S

(12) **United States Design Patent** (10) **Patent No.:** **US D550,767 S**
Kishi (45) **Date of Patent:** **** Sep. 11, 2007**

(54) **TONER CARTRIDGE**

2007/0048019 A1* 3/2007 Kim et al. 399/222

(75) Inventor: **Isao Kishi**, Nagoya (JP)

OTHER PUBLICATIONS

(73) Assignee: **Brother Industries, Ltd.**, Nagoya (JP)

U.S. Appl. No. 29/197,019, filed Jan. 8, 2004, Kobayashi et al.
U.S. Appl. No. 29/197,016, filed Jan. 8, 2004, Kobayashi et al.
U.S. Appl. No. 29/197,021, filed Jan. 8, 2004, Kobayashi et al.
U.S. Appl. No. 29/222,157, filed Jan. 27, 2005, Ishii et al.
U.S. Appl. No. 29/222,156, filed Jan. 27, 2005, Ishii et al.
U.S. Appl. No. 29/222,158, filed Jan. 27, 2005, Ishii et al.
U.S. Appl. No. 29/222,088, filed Jan. 27, 2005, Ishii et al.
U.S. Appl. No. 29/222,087, filed Jan. 27, 2005, Ishii et al.
U.S. Appl. No. 29/222,086, filed Jan. 27, 2005, Ishii et al.

(**) Term: **14 Years**

(21) Appl. No.: **29/245,321**

(22) Filed: **Dec. 22, 2005**

(30) **Foreign Application Priority Data**

Jul. 12, 2005 (JP) 2005-020416

* cited by examiner

(51) **LOC (8) Cl.** **16-03**

Primary Examiner—Robert M. Spear

(52) **U.S. Cl.** **D18/43**

Assistant Examiner—Garth Rademaker

(58) **Field of Classification Search** D14/471;
D18/12, 36, 40, 43, 44, 56; 222/DIG. 1;
347/197, 222; 399/24–28, 107–112, 119,
399/121, 122, 222–224; 400/207, 208
See application file for complete search history.

(74) *Attorney, Agent, or Firm*—Olliff & Berridge, PLC

(57) **CLAIM**

The ornamental design for toner cartridge, as shown and described.

(56) **References Cited**

DESCRIPTION

U.S. PATENT DOCUMENTS

5,875,378 A * 2/1999 Campbell et al. 399/119
D422,304 S 4/2000 Suzuki et al.
6,157,797 A * 12/2000 Saito et al. 399/107
D442,216 S * 5/2001 Kimura et al. D18/43
D471,228 S 3/2003 Okabe et al.
D506,776 S 6/2005 Kobayashi et al.
D507,296 S 7/2005 Ishii et al.
D507,595 S 7/2005 Kobayashi et al.
D507,596 S 7/2005 Kobayashi et al.
D507,597 S 7/2005 Kobayashi et al.
D507,809 S 7/2005 Kobayashi et al.
D508,945 S 8/2005 Ishii et al.
D510,947 S 10/2005 Ishii et al.
D511,542 S 11/2005 Ishii et al.
D512,092 S 11/2005 Kobayashi et al.
D512,454 S 12/2005 Ishii et al.
D522,564 S * 6/2006 Ishii et al. D18/43
D523,895 S * 6/2006 Ishii et al. D18/43
7,079,787 B2 * 7/2006 Ogino et al. 399/111

FIG. 1 is a bottom, front, right side perspective view of a toner cartridge;

FIG. 2 is a bottom, front, right side perspective view thereof, shown at an enlarged scale;

FIG. 3 is a top, rear, right side perspective view thereof;

FIG. 4 is a top plan thereof, shown at a reduced scale;

FIG. 5 is a right side elevation view thereof;

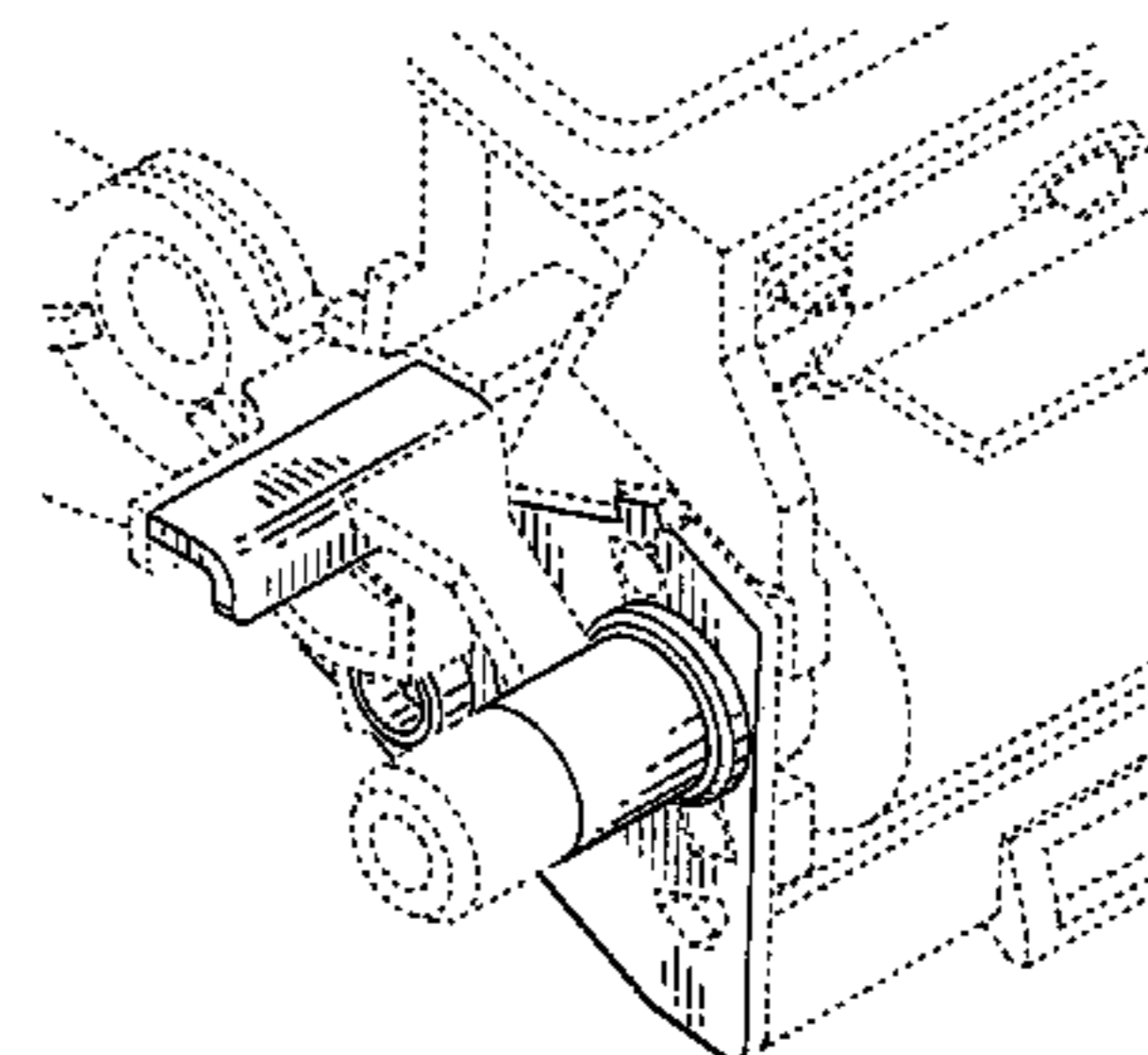
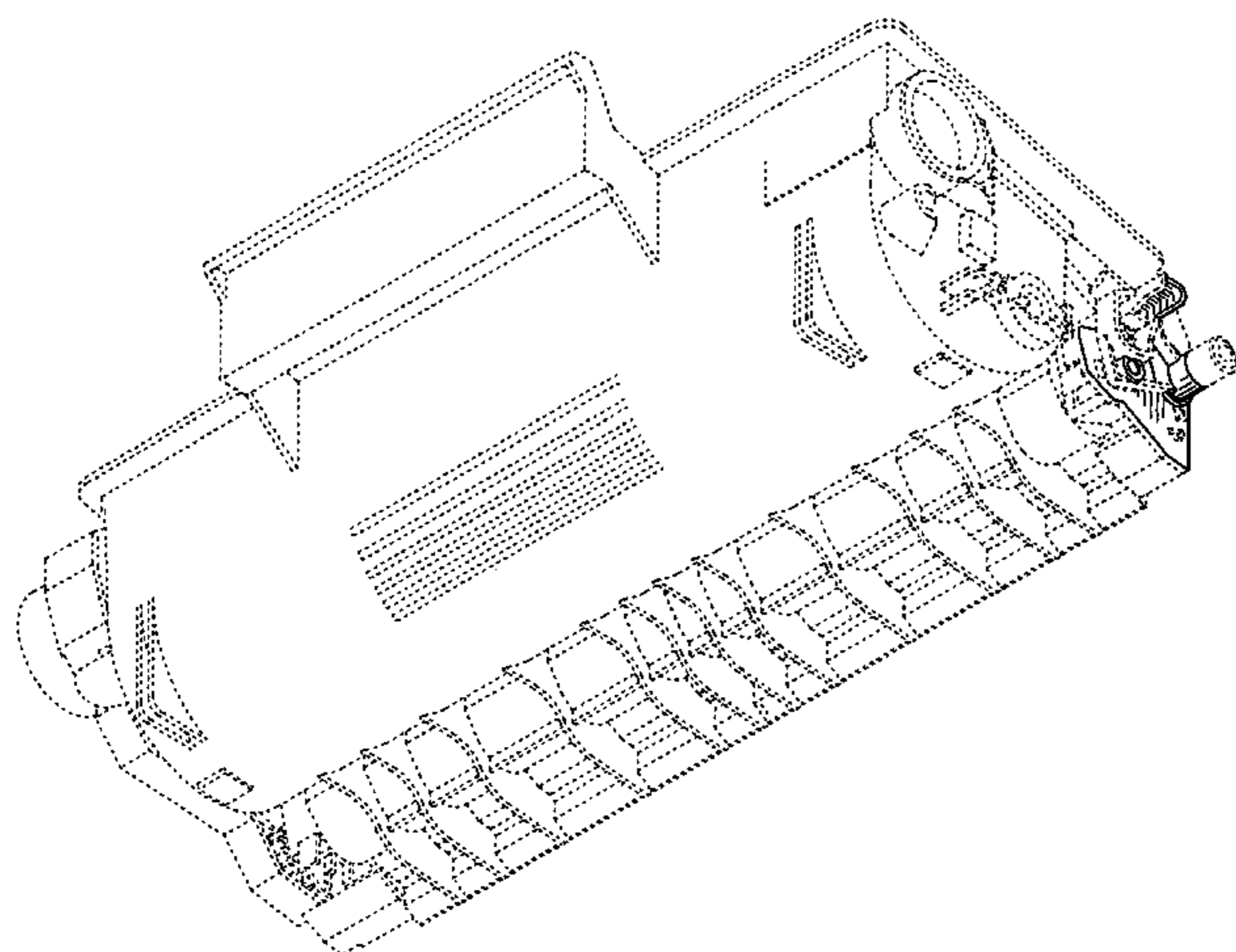
FIG. 6 is a right side elevation view thereof, shown at an enlarged scale;

FIG. 7 is a rear elevation view thereof, shown at a reduced scale; and,

FIG. 8 is a bottom plan view.

The broken lines depict environmental subject matter only and form no part of the claimed design.

1 Claim, 6 Drawing Sheets



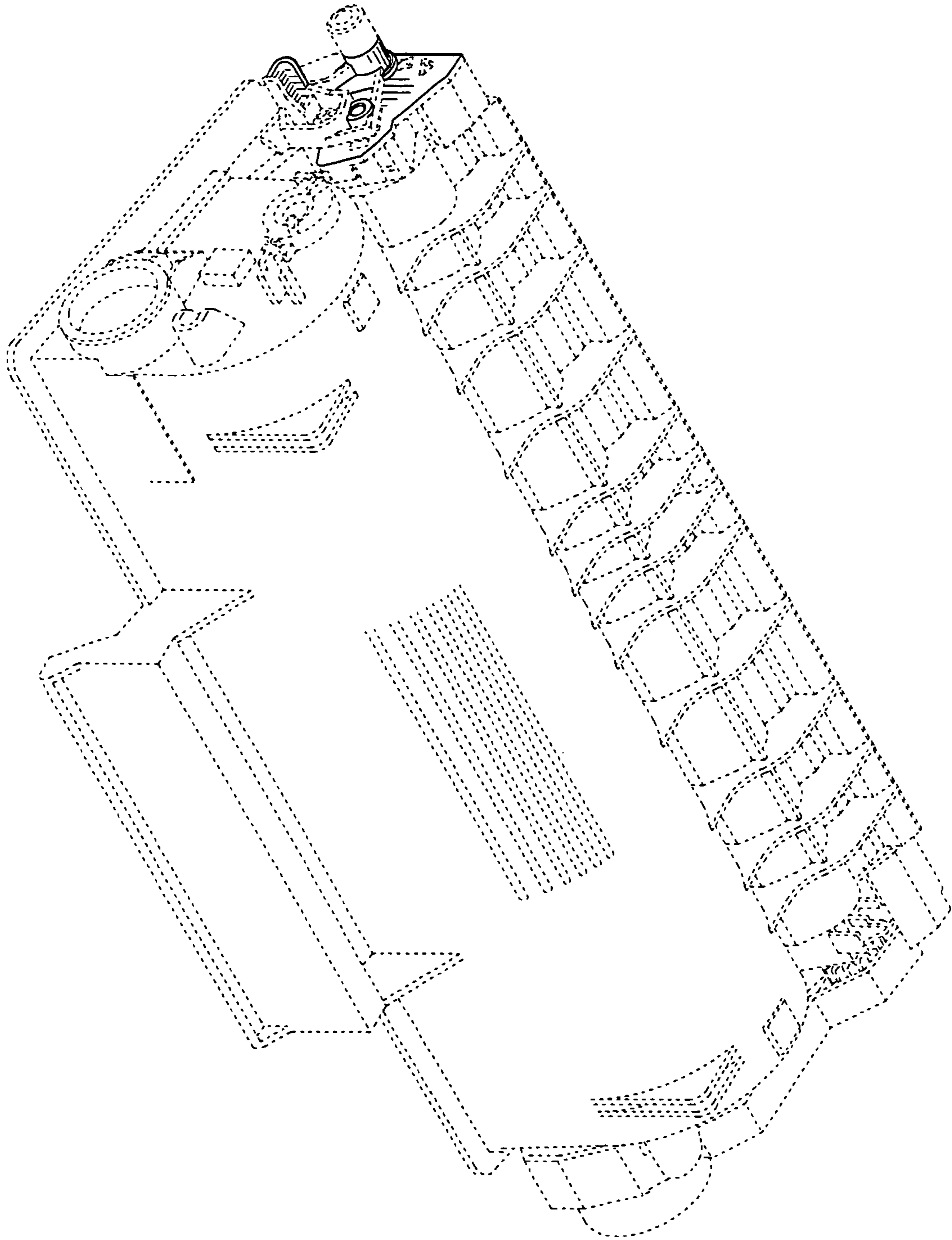


FIG. 1

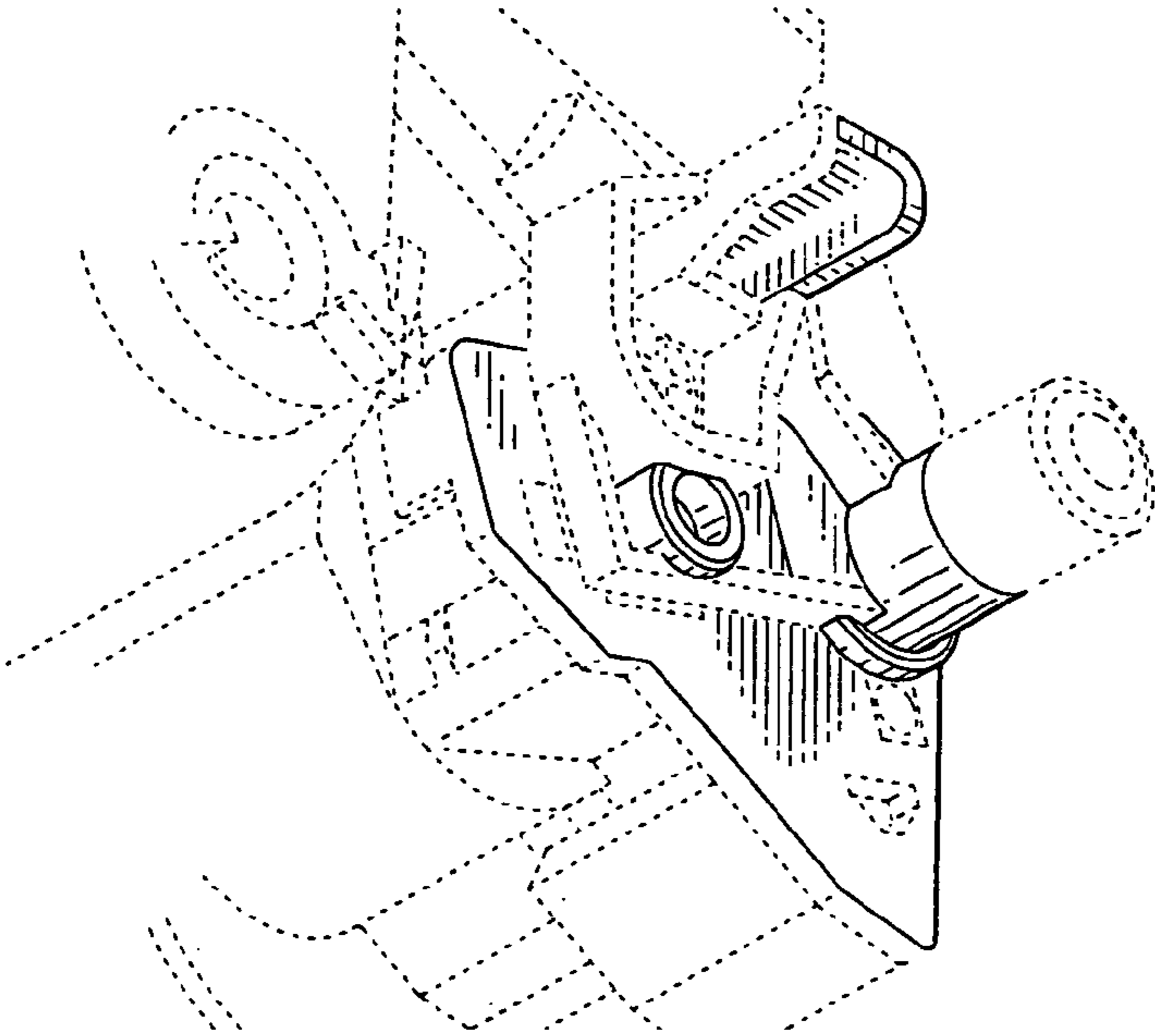


FIG. 2

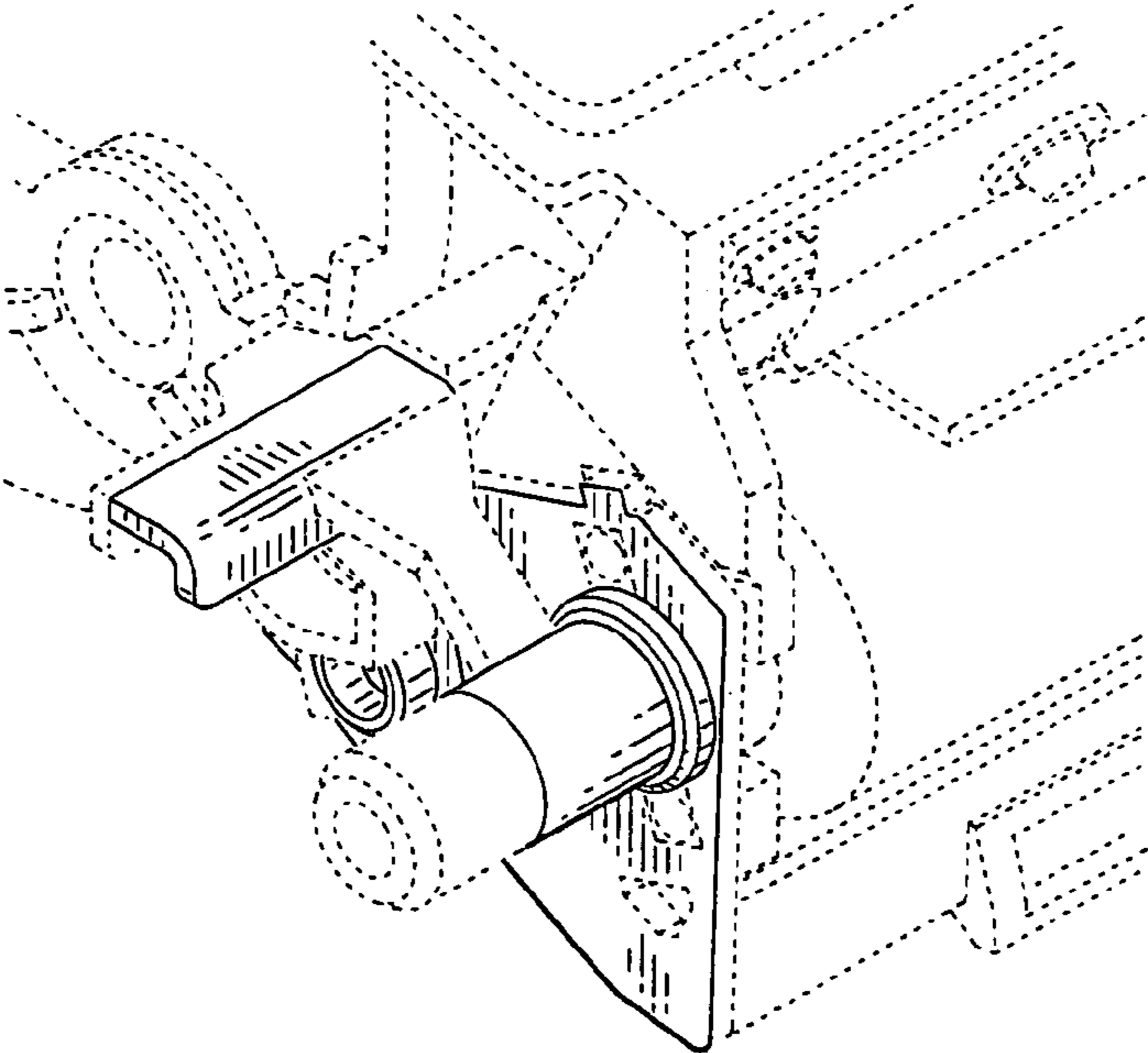


FIG. 3

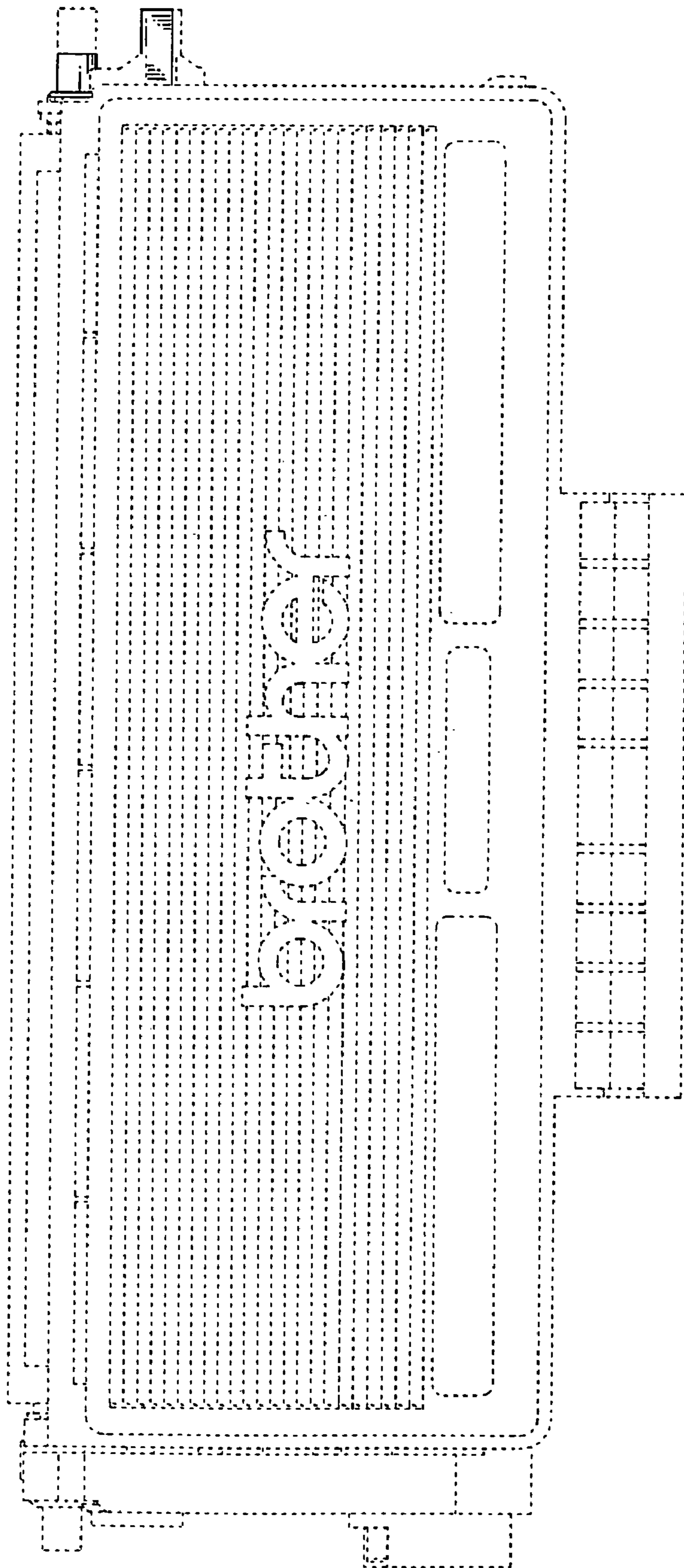


FIG. 4

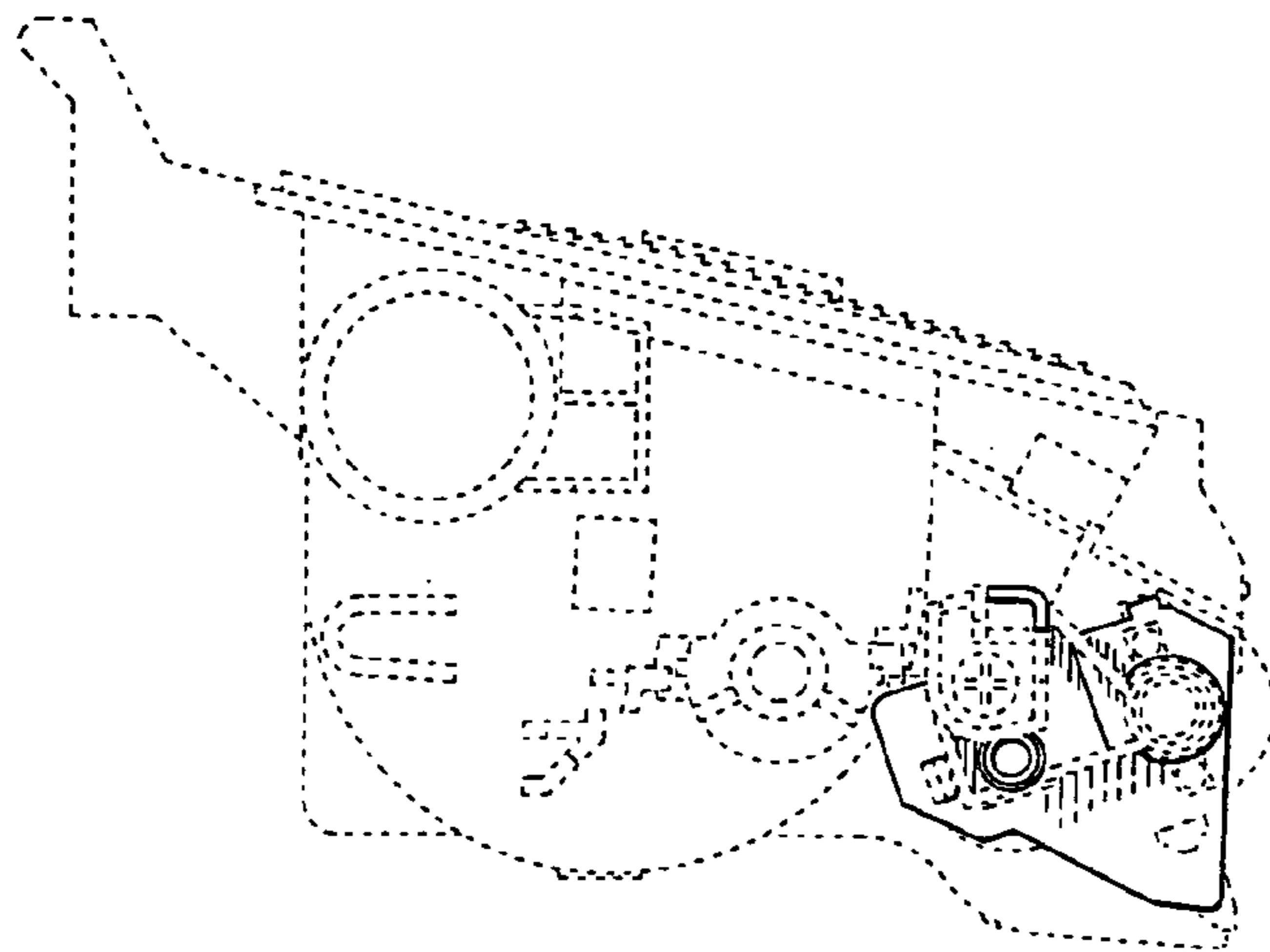


FIG. 5

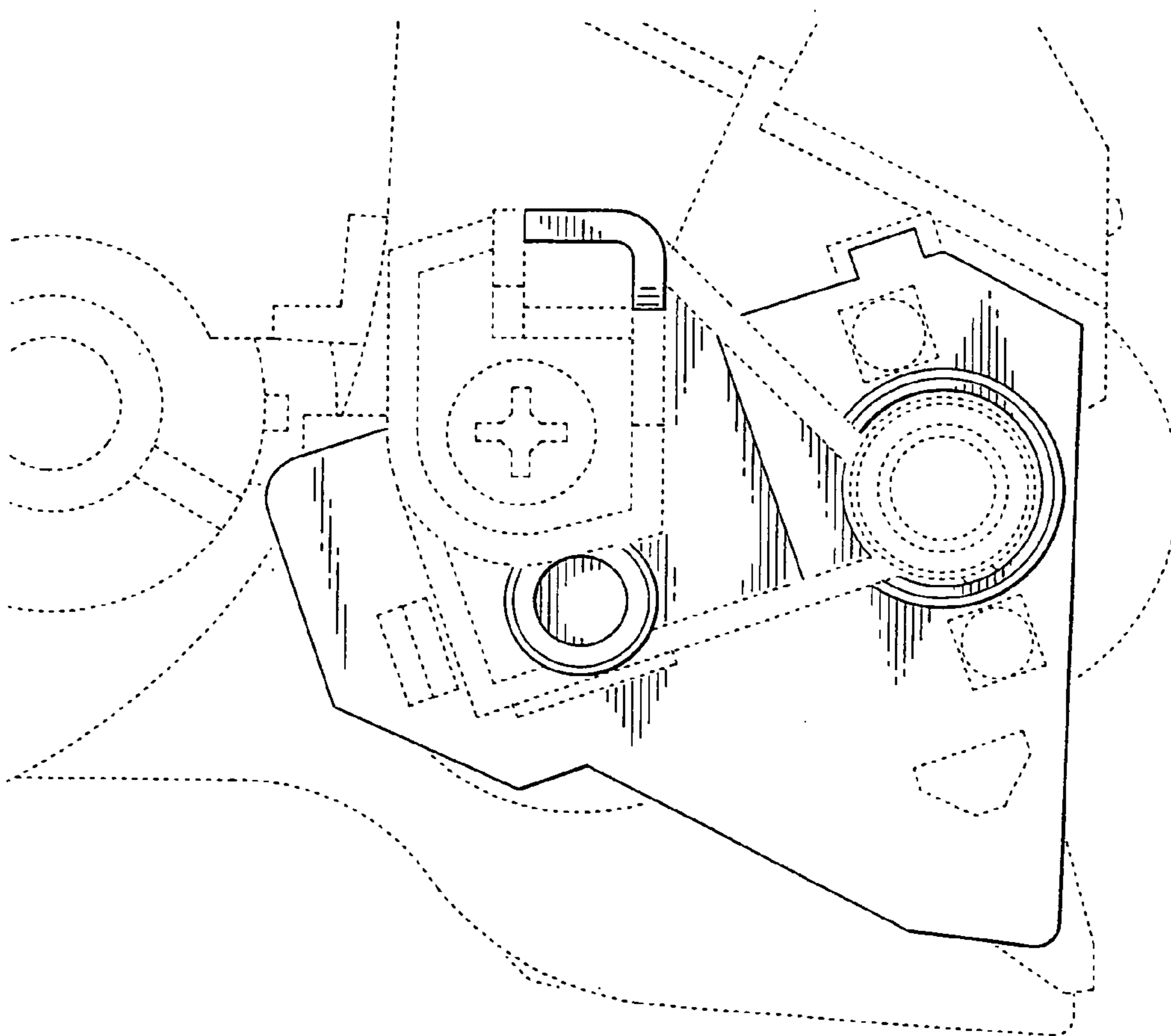


FIG. 6

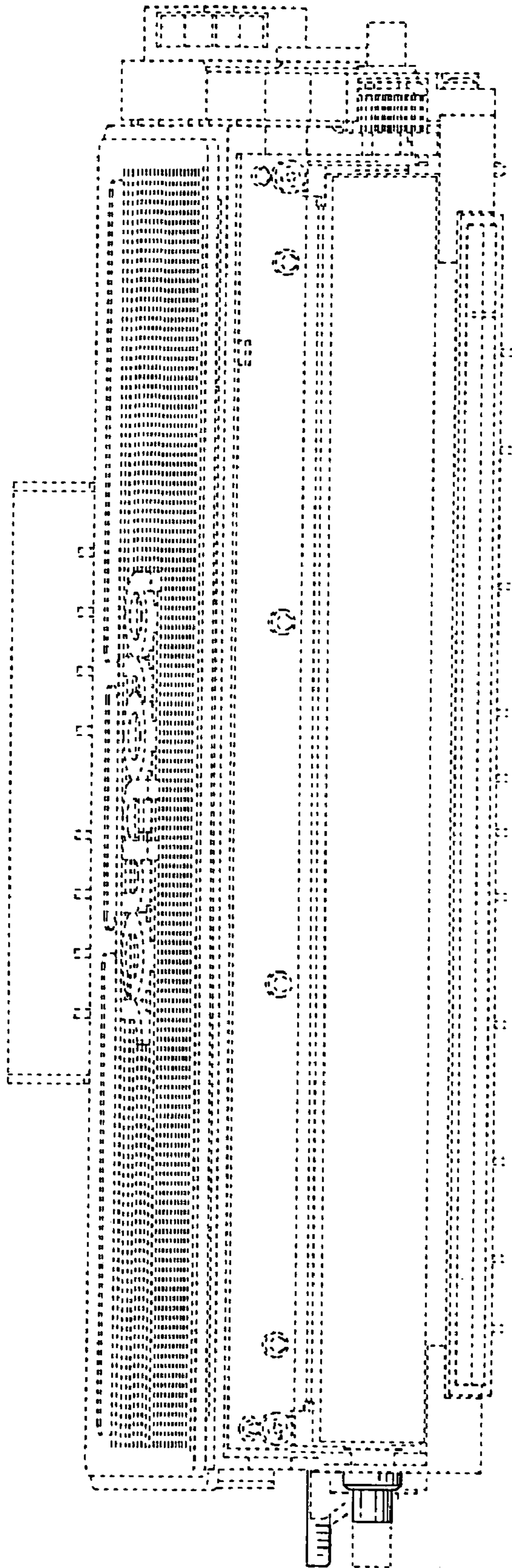


FIG. 7

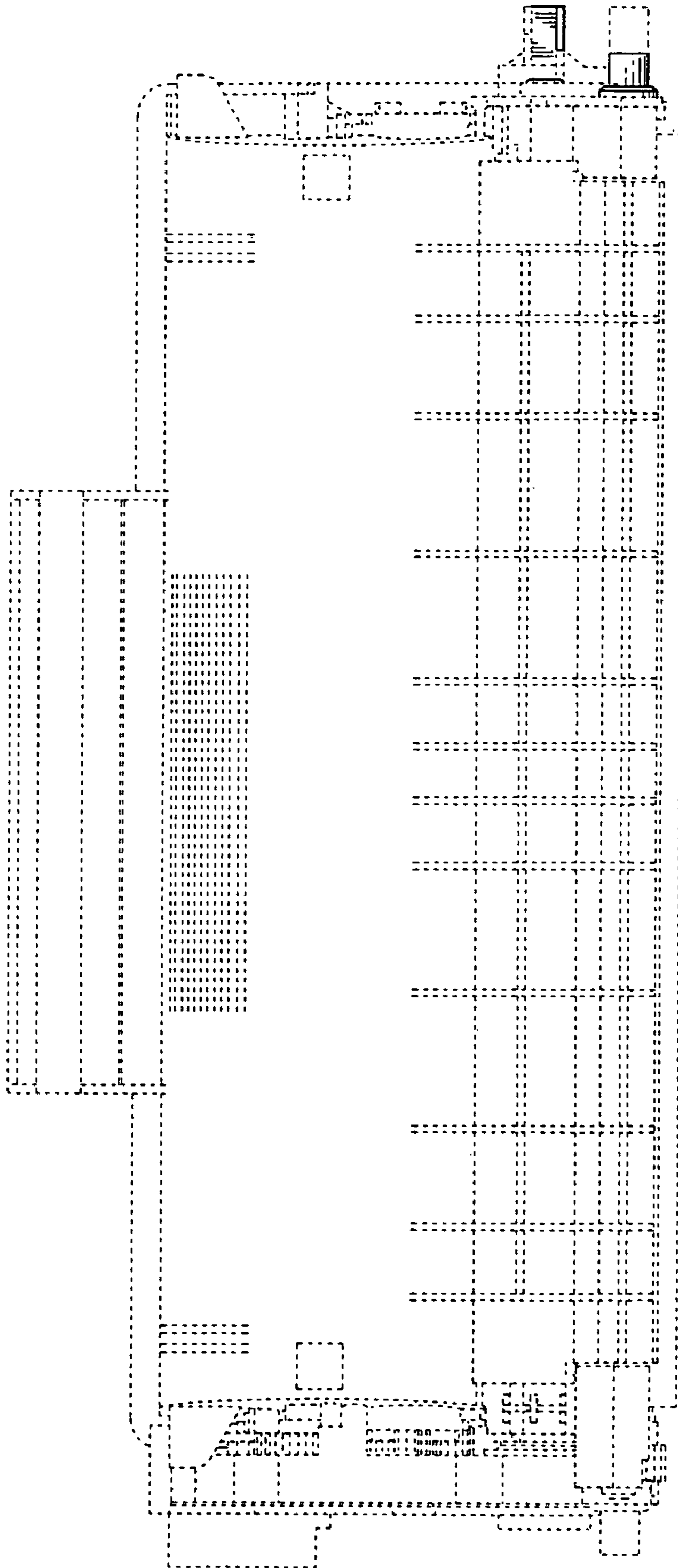


FIG. 8