



US00D550766S

(12) **United States Design Patent** (10) **Patent No.:** **US D550,766 S**  
**Takagi** (45) **Date of Patent:** **\*\* Sep. 11, 2007**

(54) **TONER CARTRIDGE**  
(75) Inventor: **Takeyuki Takagi**, Nagoya (JP)  
(73) Assignee: **Brother Industries, Ltd.**, Nagoya (JP)  
(\*\*) Term: **14 Years**

D512,454 S 12/2005 Ishii et al.  
D523,896 S \* 6/2006 Ishii et al. .... D18/43  
7,215,901 B2 \* 5/2007 Abe et al. .... 399/111  
2002/0110385 A1 \* 8/2002 Terada et al. .... 399/111  
2005/0147429 A1 \* 7/2005 Kim et al. .... 399/111

(21) Appl. No.: **29/245,320**  
(22) Filed: **Dec. 22, 2005**

**OTHER PUBLICATIONS**

U.S. Appl. No. 29/197,019, filed Jan. 8, 2004, Kobayashi et al.  
U.S. Appl. No. 29/197,016, filed Jan. 8, 2004, Kobayashi et al.  
U.S. Appl. No. 29/197,021, filed Jan. 8, 2004, Kobayashi et al.  
U.S. Appl. No. 29/222,157, filed Jan. 27, 2005, Ishii et al.  
U.S. Appl. No. 29/222,156, filed Jan. 27, 2005, Ishii et al.  
U.S. Appl. No. 29/222,158, filed Jan. 27, 2005, Ishii et al.  
U.S. Appl. No. 29/222,088, filed Jan. 27, 2005, Ishii et al.  
U.S. Appl. No. 29/222,087, filed Jan. 27, 2005, Ishii et al.  
U.S. Appl. No. 29/222,086, filed Jan. 27, 2005, Ishii et al.

(30) **Foreign Application Priority Data**  
Jul. 12, 2005 (JP) ..... 2005-020418

(51) **LOC (8) Cl.** ..... **16-03**  
(52) **U.S. Cl.** ..... **D18/43**  
(58) **Field of Classification Search** ..... D14/471;  
D18/12, 36, 40, 43, 44, 56; 222/DIG. 1;  
347/197, 222; 399/24-28, 107-112, 119,  
399/121, 122, 222-224; 400/207, 208  
See application file for complete search history.

\* cited by examiner

*Primary Examiner*—Robert M. Spear  
*Assistant Examiner*—Garth Rademaker  
(74) *Attorney, Agent, or Firm*—Oliff & Berridge, PLC

(56) **References Cited**

**U.S. PATENT DOCUMENTS**

D298,333 S \* 11/1988 Masaki et al. .... D18/43  
D350,975 S \* 9/1994 Mizuta ..... D18/43  
D417,694 S \* 12/1999 Miyazawa ..... D18/40  
D422,304 S 4/2000 Suzuki et al.  
6,157,797 A \* 12/2000 Saito et al. .... 399/107  
D442,216 S 5/2001 Kimura et al.  
D471,228 S 3/2003 Okabe et al.  
D489,752 S \* 5/2004 Yamaguchi et al. .... D18/40  
D506,776 S 6/2005 Kobayashi et al.  
D507,296 S 7/2005 Ishii et al.  
D507,595 S 7/2005 Kobayashi et al.  
D507,596 S 7/2005 Kobayashi et al.  
D507,597 S 7/2005 Kobayashi et al.  
D507,809 S 7/2005 Kobayashi et al.  
D508,945 S 8/2005 Ishii et al.  
D510,947 S 10/2005 Ishii et al.  
D511,542 S 11/2005 Ishii et al.  
D512,092 S 11/2005 Kobayashi et al.

(57) **CLAIM**

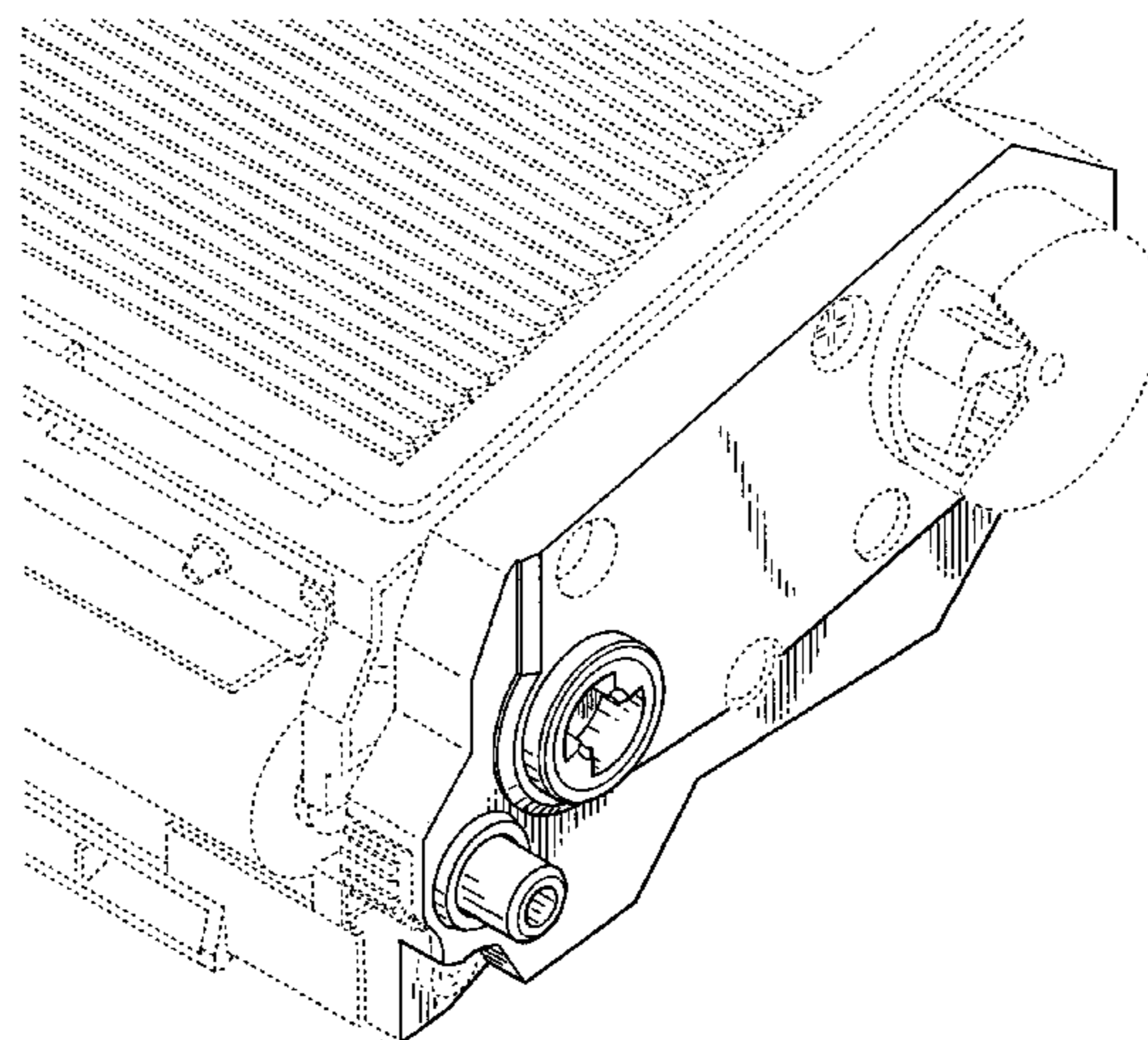
The ornamental design for toner cartridge, as shown and described.

**DESCRIPTION**

FIG. 1 is a perspective view of a toner cartridge;  
FIG. 2 is a perspective view thereof, shown at an enlarged scale;  
FIG. 3 is a front view thereof, shown at a reduced scale;  
FIG. 4 is a top view thereof;  
FIG. 5 is a left side view thereof;  
FIG. 6 is a rear view thereof; and,  
FIG. 7 is a bottom view thereof.

The broken lines depict environmental subject matter only and form no part of the claimed design.

**1 Claim, 7 Drawing Sheets**



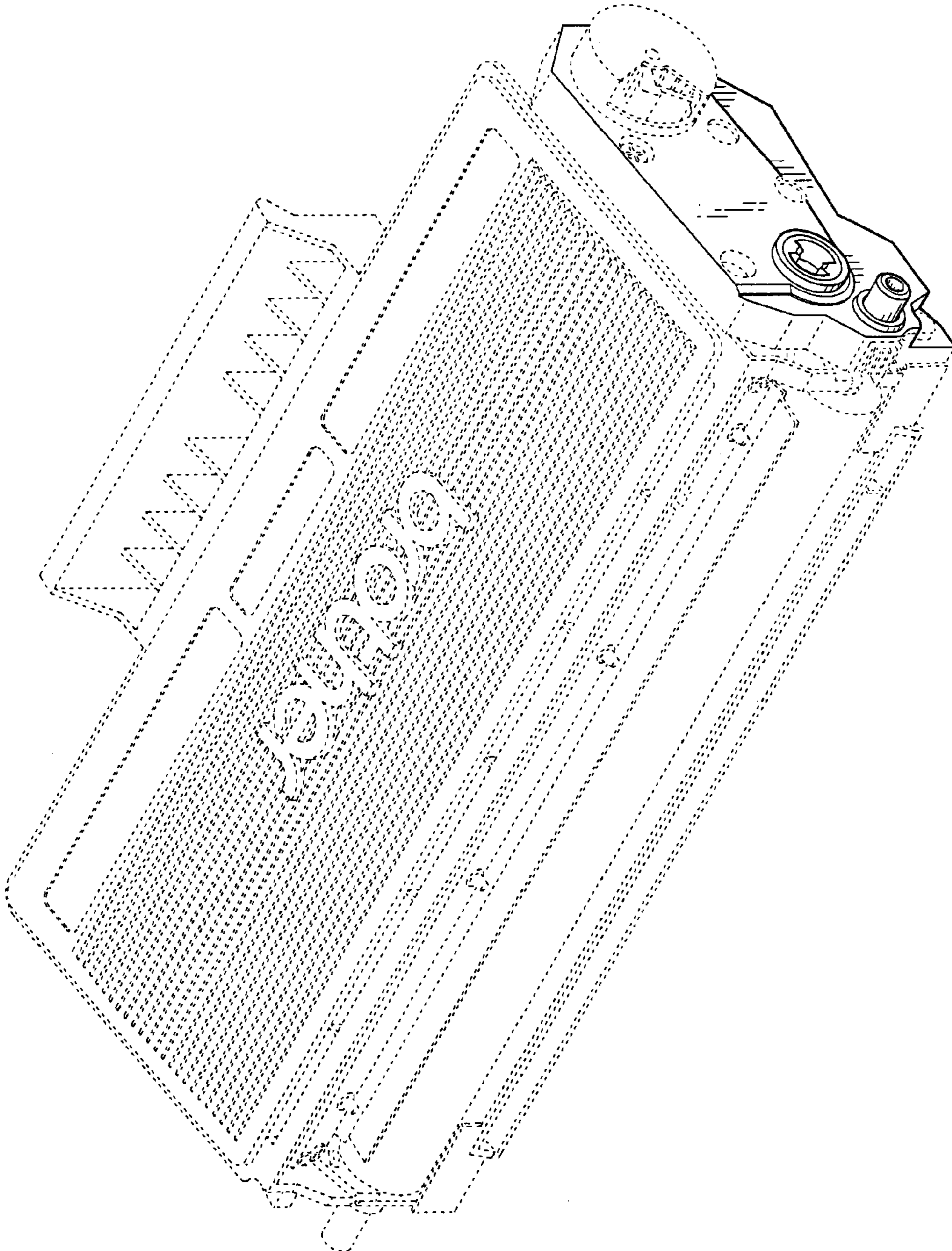


FIG. 1

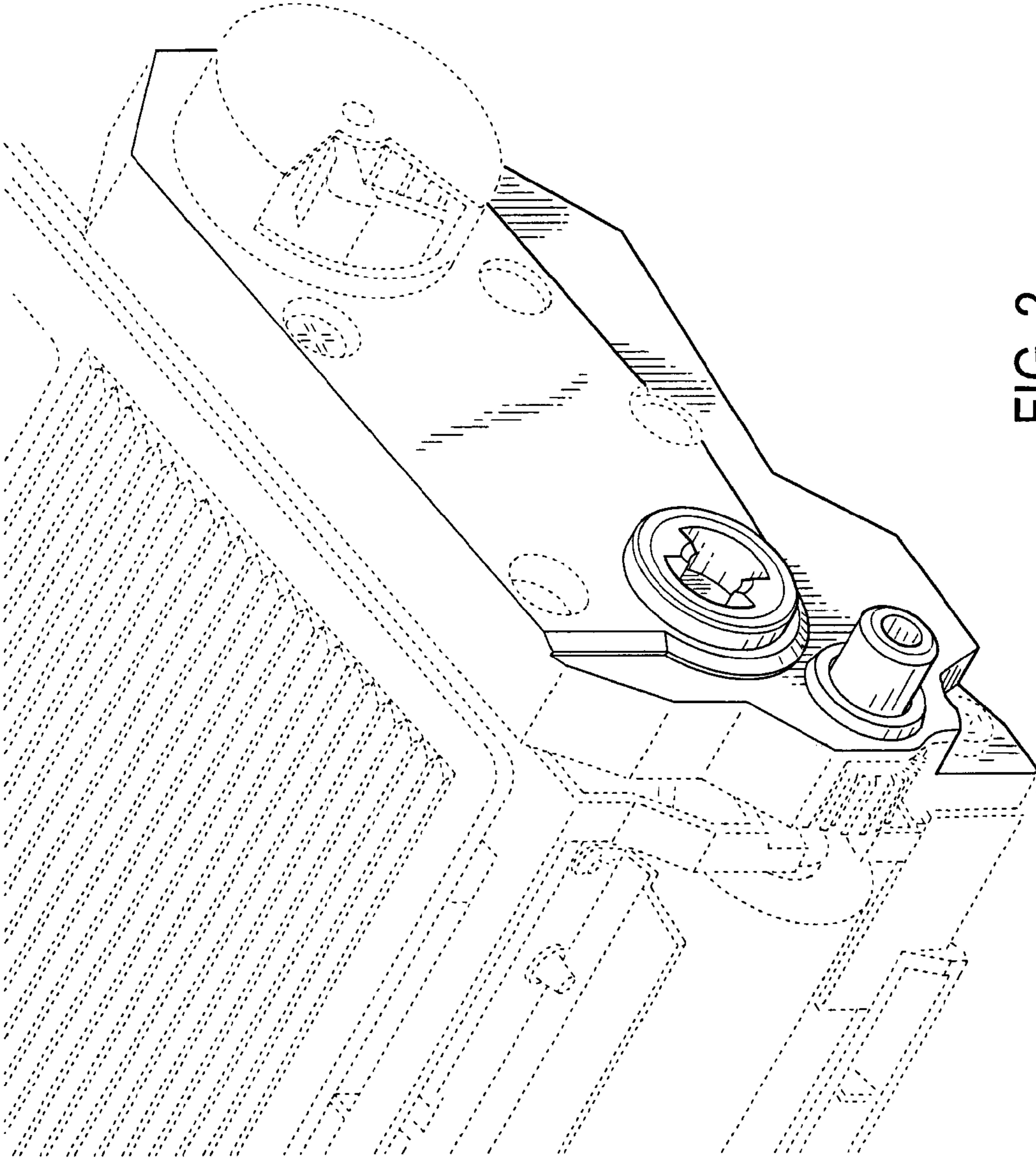


FIG. 2

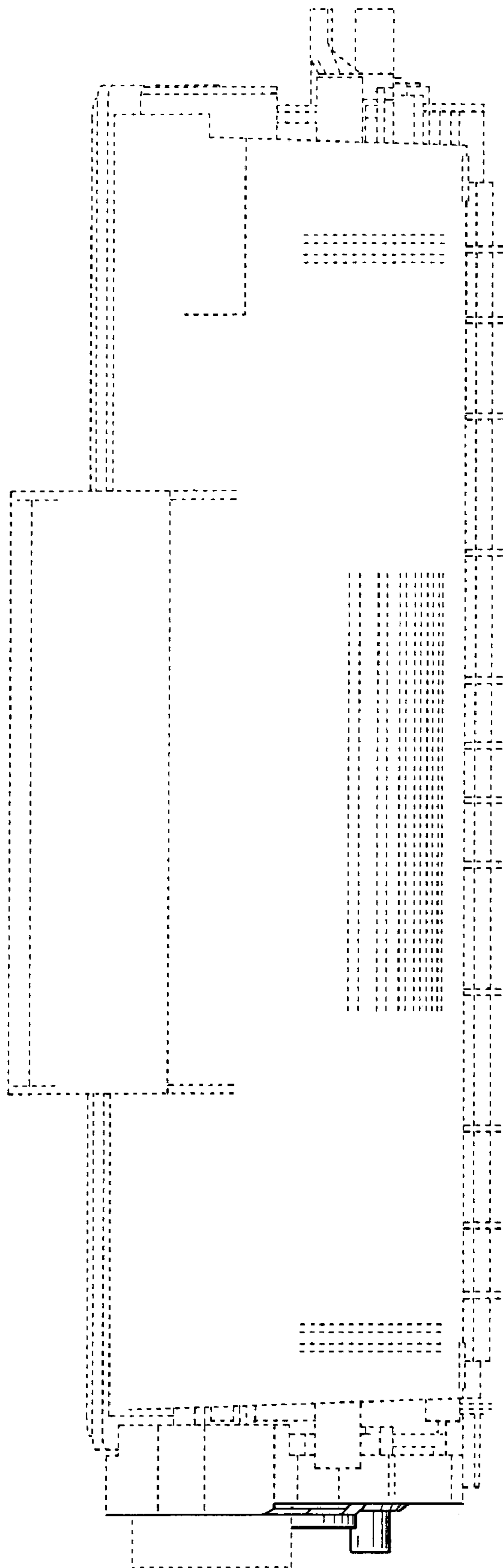


FIG. 3

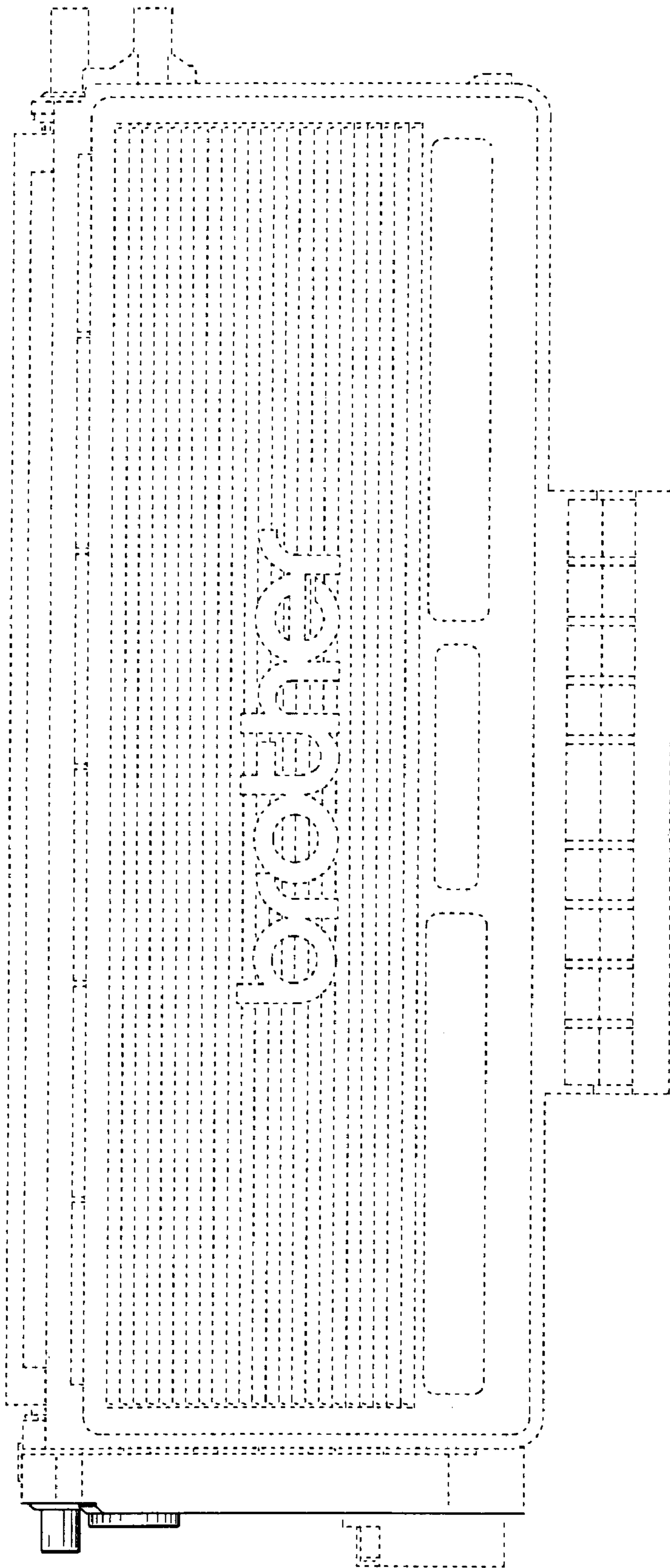


FIG.4

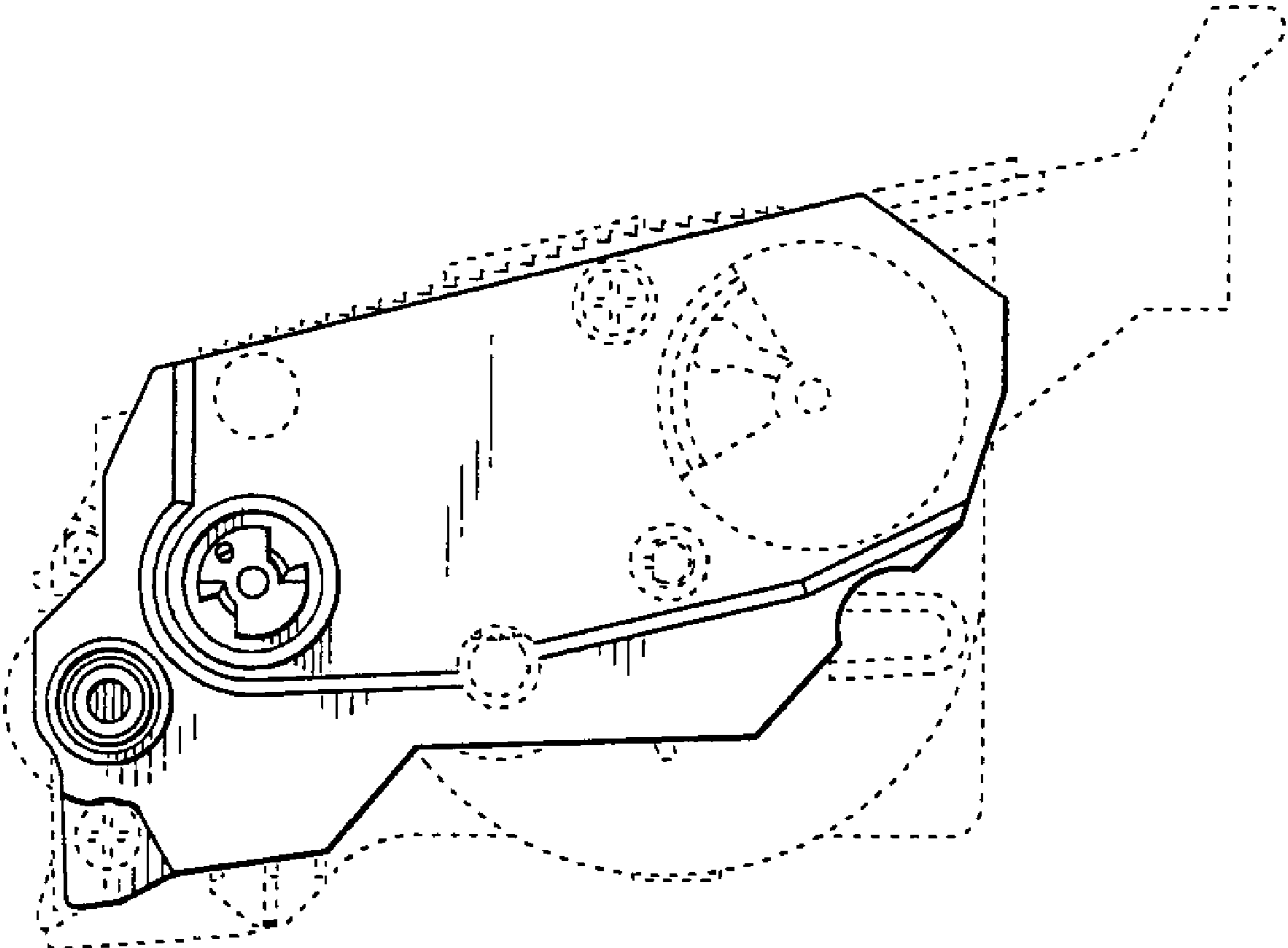


FIG. 5

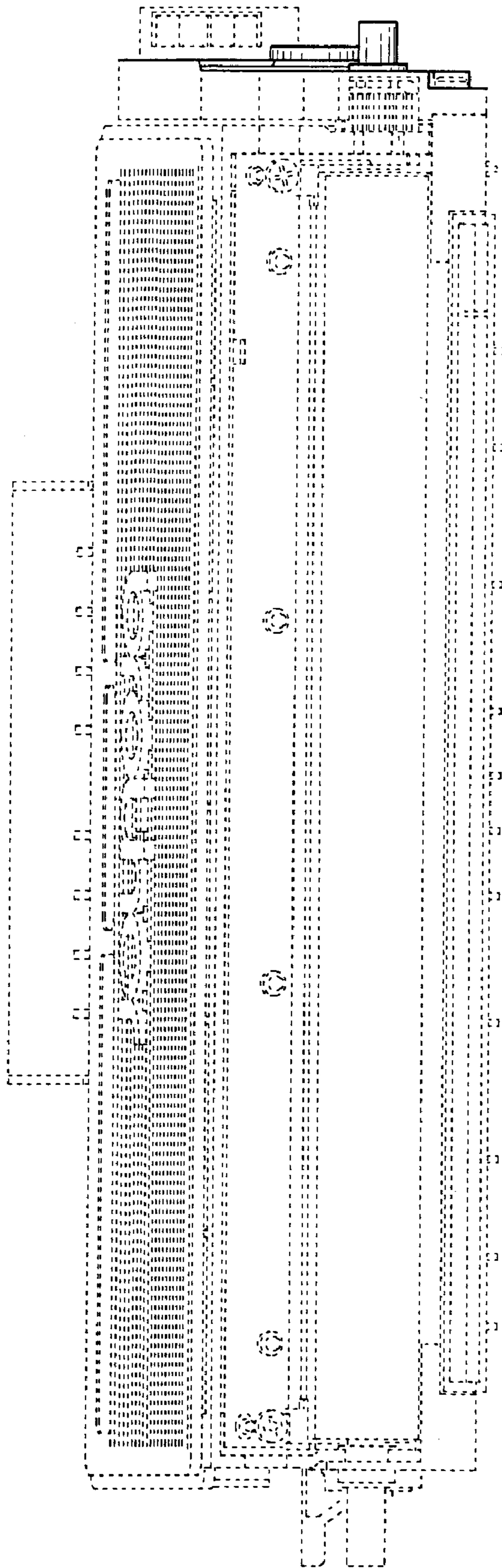


FIG. 6

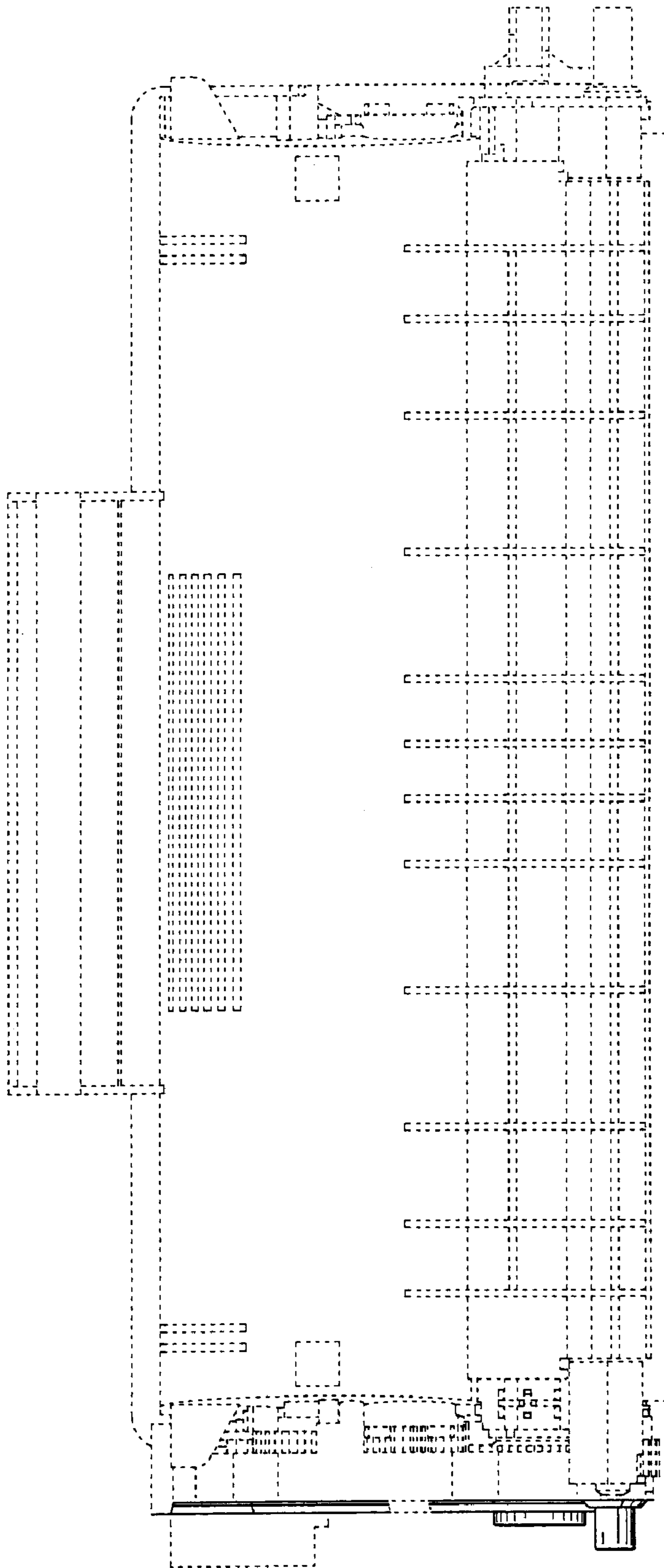


FIG. 7