



US00D550765S

(12) **United States Design Patent** (10) **Patent No.:** **US D550,765 S**
Ishikawa et al. (45) **Date of Patent:** **** Sep. 11, 2007**

(54) **TONER CARTRIDGE**

(75) Inventors: **Satoru Ishikawa**, Kasugai-gun (JP);
Takeyuki Takagi, Nagoya (JP); **Isao Kishi**, Nagoya (JP)

(73) Assignee: **Brother Industries, Ltd.**, Nagoya (JP)

(**) Term: **14 Years**

(21) Appl. No.: **29/245,319**

(22) Filed: **Dec. 22, 2005**

(30) **Foreign Application Priority Data**

Jul. 12, 2005 (JP) 2005-020407

(51) **LOC (8) Cl.** **16-03**

(52) **U.S. Cl.** **D18/43**

(58) **Field of Classification Search** D14/471;
D18/12, 36, 40, 43, 44, 56; 222/DIG. 1;
347/197, 222; 399/24-28, 107-112, 119,
399/121, 122, 222-224; 400/207, 208
See application file for complete search history.

(56) **References Cited**

U.S. PATENT DOCUMENTS

D298,333 S *	11/1988	Masaki et al.	D18/43
D332,962 S *	2/1993	Kikuchi et al.	D18/43
D422,304 S	4/2000	Suzuki et al.		
D433,441 S *	11/2000	Yonekawa et al.	D18/43
D442,216 S *	5/2001	Kimura et al.	D18/43
6,505,020 B1 *	1/2003	Higeta et al.	399/109
D471,228 S *	3/2003	Okabe et al.	D18/43
D506,776 S	6/2005	Kobayashi et al.		
D507,296 S	7/2005	Ishii et al.		
D507,595 S	7/2005	Kobayashi et al.		
D507,596 S	7/2005	Kobayashi et al.		
D507,597 S	7/2005	Kobayashi et al.		
D507,809 S	7/2005	Kobayashi et al.		
D508,945 S	8/2005	Ishii et al.		
D510,947 S	10/2005	Ishii et al.		
D511,542 S	11/2005	Ishii et al.		
D512,092 S	11/2005	Kobayashi et al.		

D512,454 S	12/2005	Ishii et al.		
D519,150 S *	4/2006	Kojima et al.	D18/40
2002/0110385 A1 *	8/2002	Terada et al.	399/111
2004/0265000 A1 *	12/2004	Okabe	399/110
2006/0177230 A1 *	8/2006	Ishii	399/27

OTHER PUBLICATIONS

U.S. Appl. No. 29/197,019, filed Jan. 8, 2004, Kobayashi et al.
U.S. Appl. No. 29/197,016, filed Jan. 8, 2004, Kobayashi et al.
U.S. Appl. No. 29/197,021, filed Jan. 8, 2004, Kobayashi et al.
U.S. Appl. No. 29/222,157, filed Jan. 27, 2005, Ishii et al.
U.S. Appl. No. 29/222,156, filed Jan. 27, 2005, Ishii et al.
U.S. Appl. No. 29/222,158, filed Jan. 27, 2005, Ishii et al.
U.S. Appl. No. 29/222,088, filed Jan. 27, 2005, Ishii et al.
U.S. Appl. No. 29/222,087, filed Jan. 27, 2005, Ishii et al.
U.S. Appl. No. 29/222,086, filed Jan. 27, 2005, Ishii et al.

* cited by examiner

Primary Examiner—Robert M. Spear
Assistant Examiner—Garth Rademaker
(74) *Attorney, Agent, or Firm*—Oliff & Berridge, PLC

(57) **CLAIM**

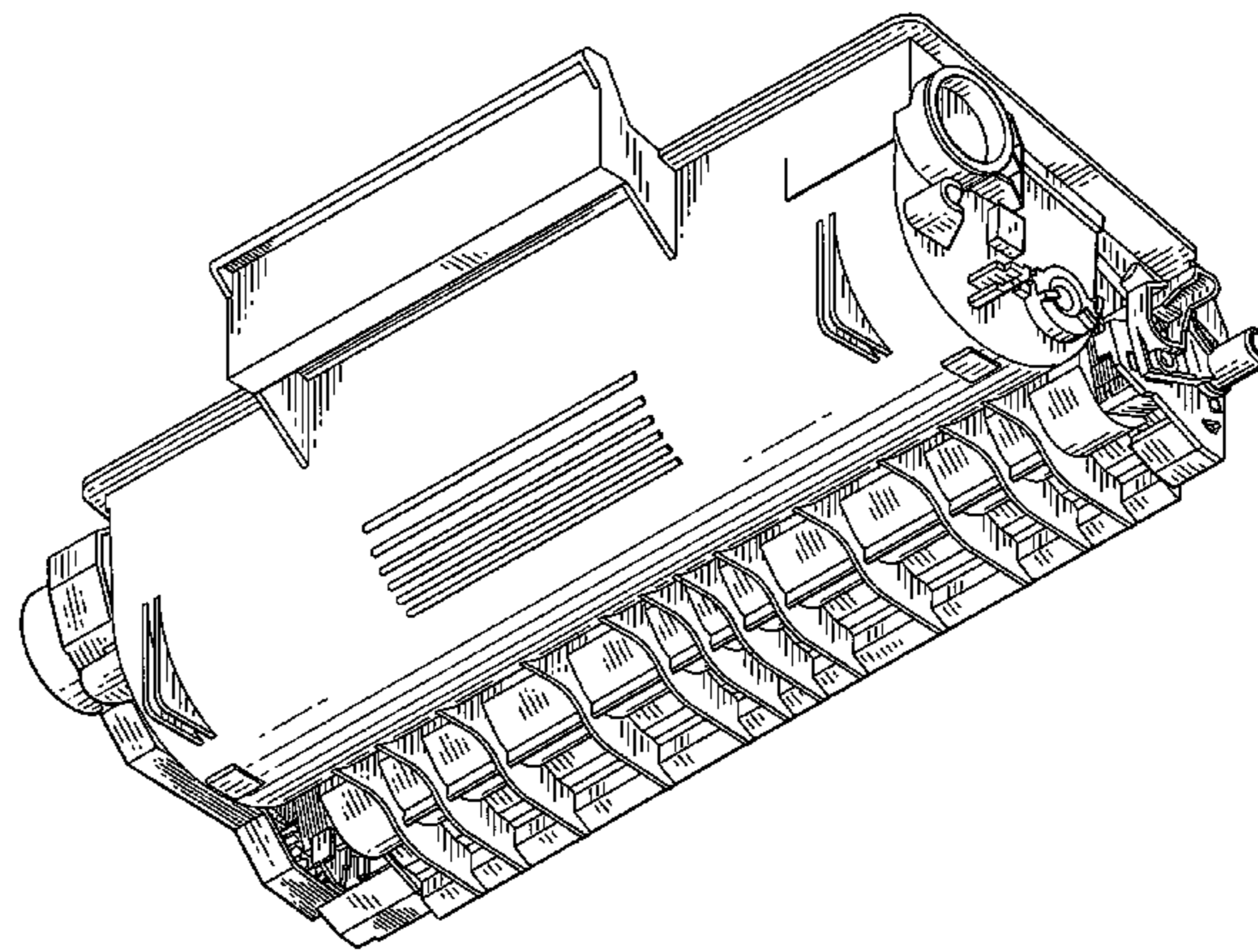
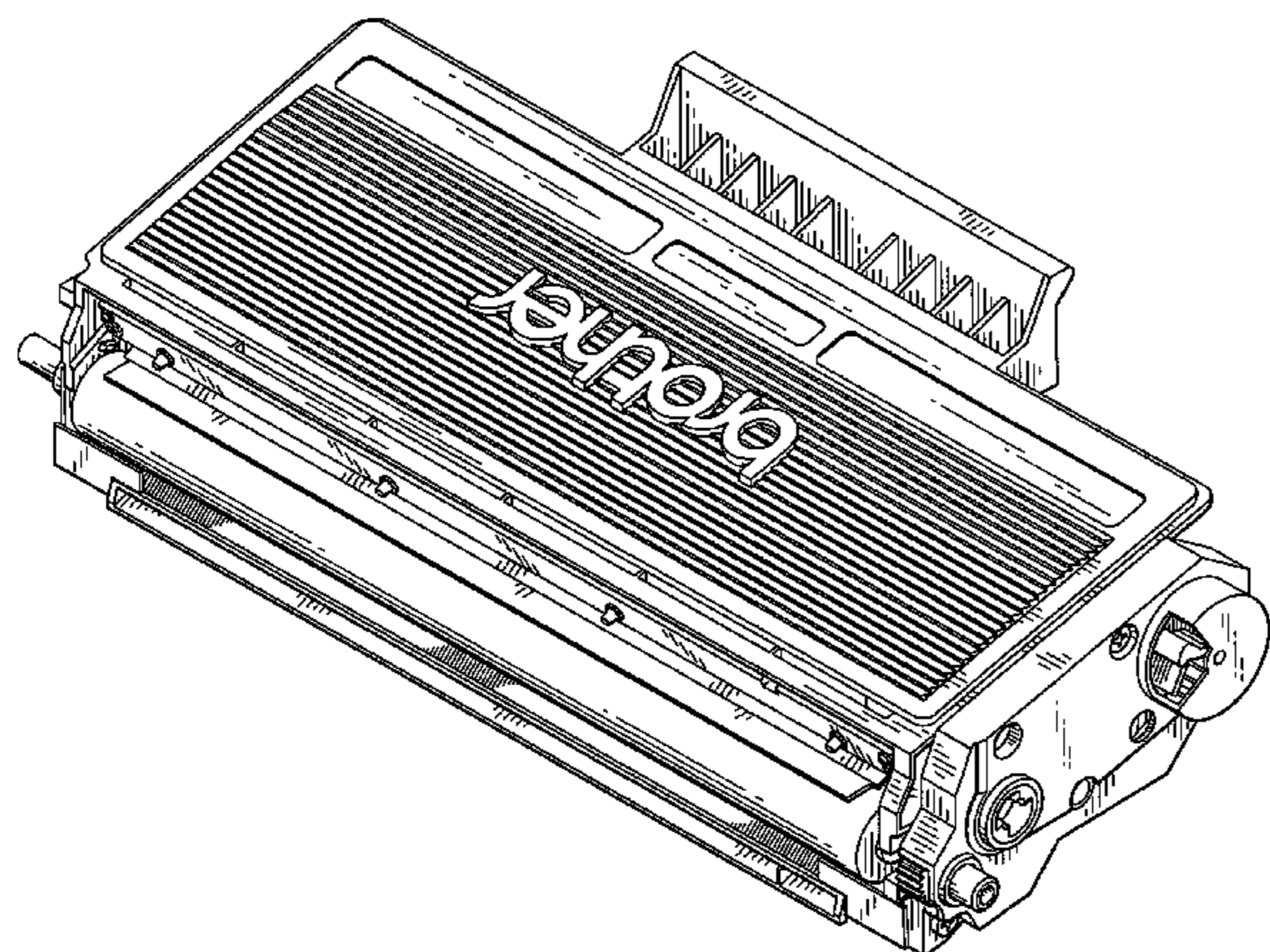
The ornamental design for toner cartridge, as shown and described.

DESCRIPTION

FIG. 1 is a top perspective view of a toner cartridge;
FIG. 2 is a bottom perspective view thereof;
FIG. 3 is a front view thereof;
FIG. 4 is a top view thereof;
FIG. 5 is a right side view thereof;
FIG. 6 is a left side view thereof;
FIG. 7 is a rear view thereof;
FIG. 8 is a bottom view thereof; and,
FIG. 9 is a cross-sectional view taken along the lines 9—9 of FIG. 4.

The broken lines depict environmental subject matter only and form no part of the claimed design.

1 Claim, 8 Drawing Sheets



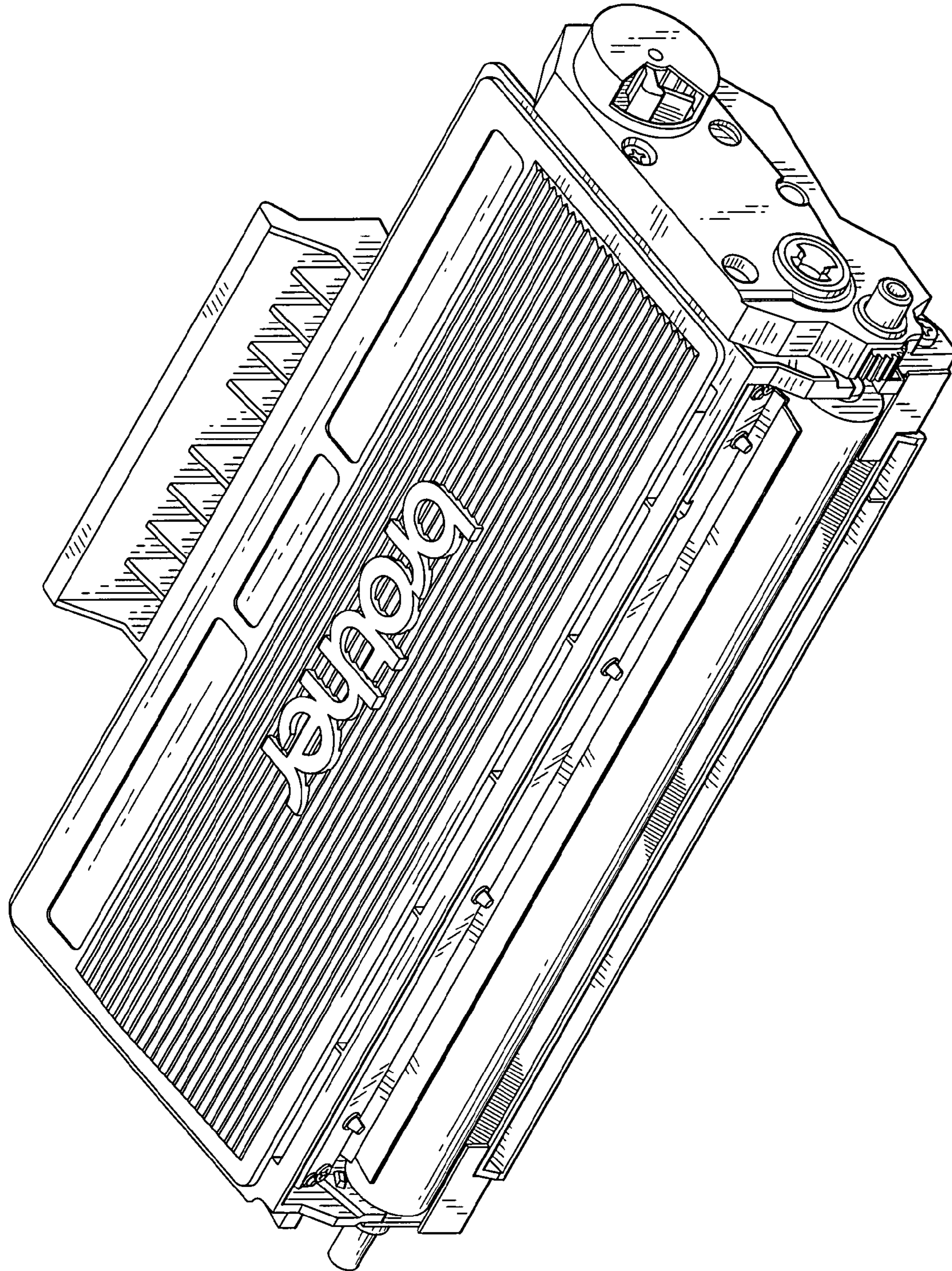


FIG. 1

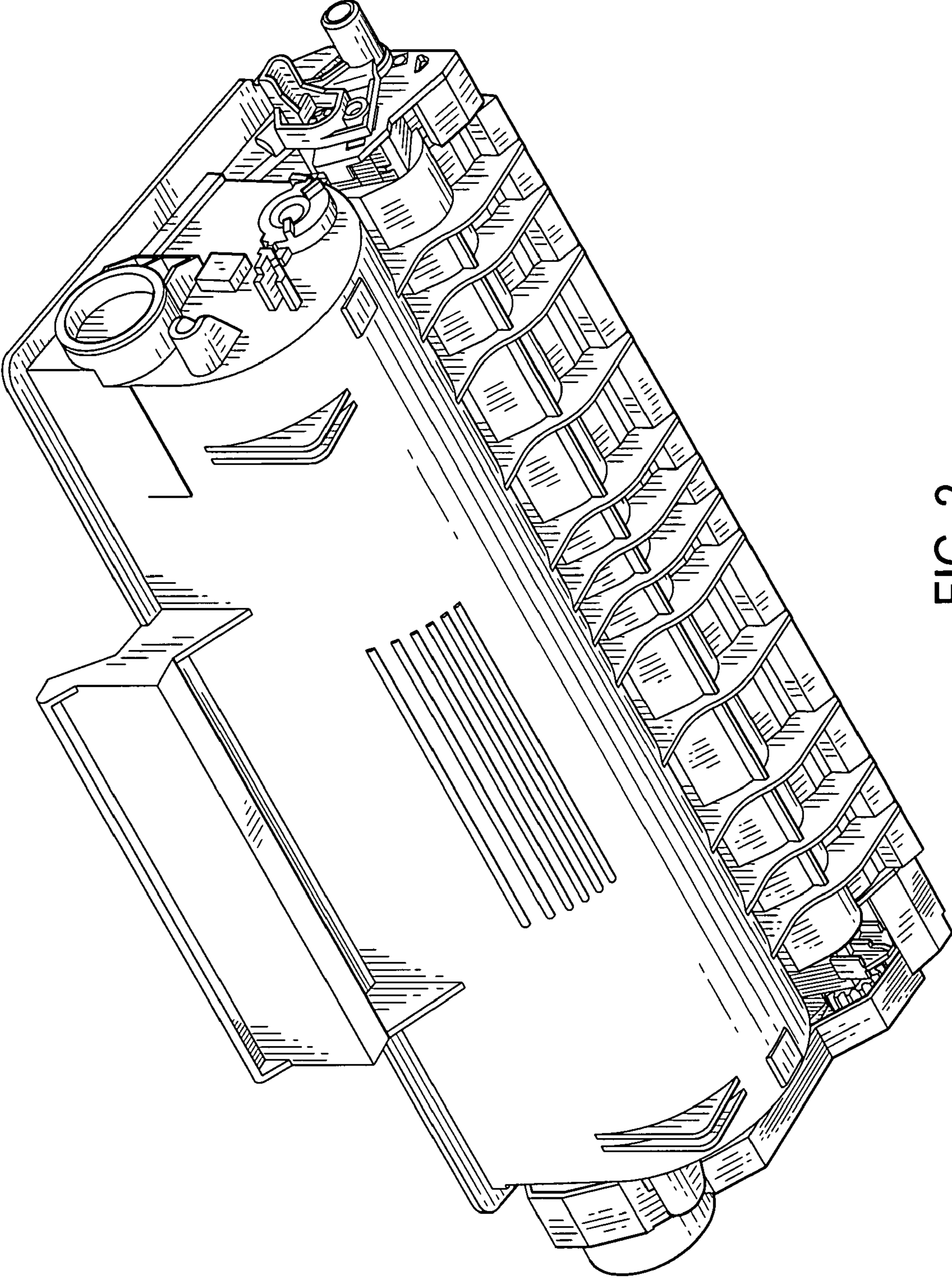


FIG. 2

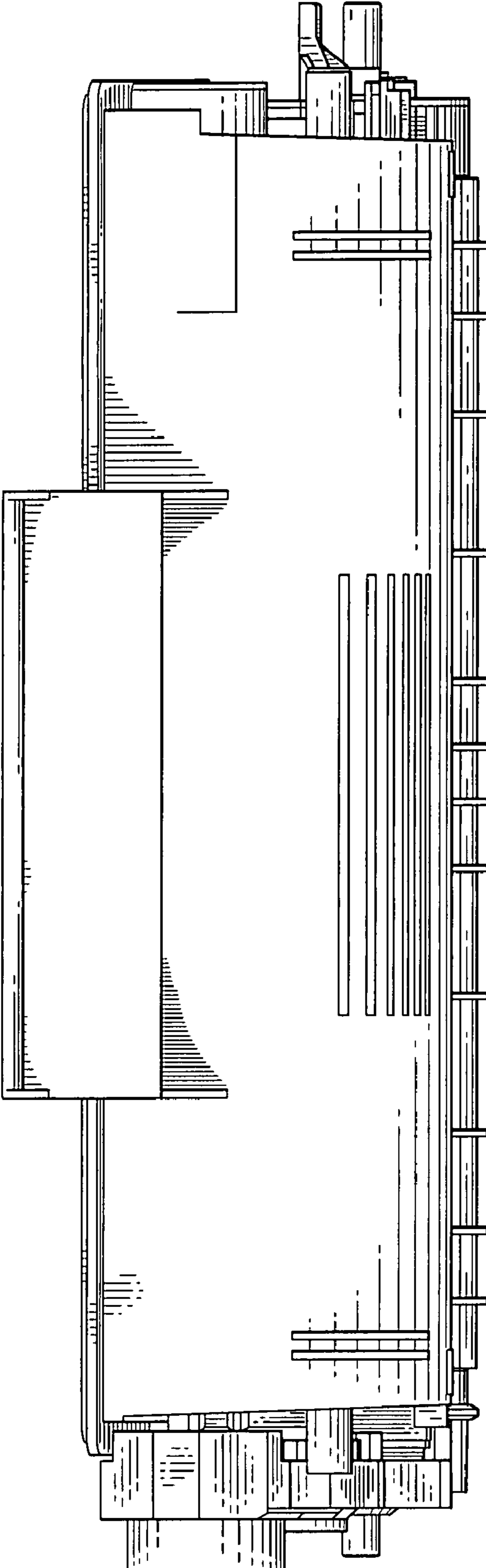


FIG. 3

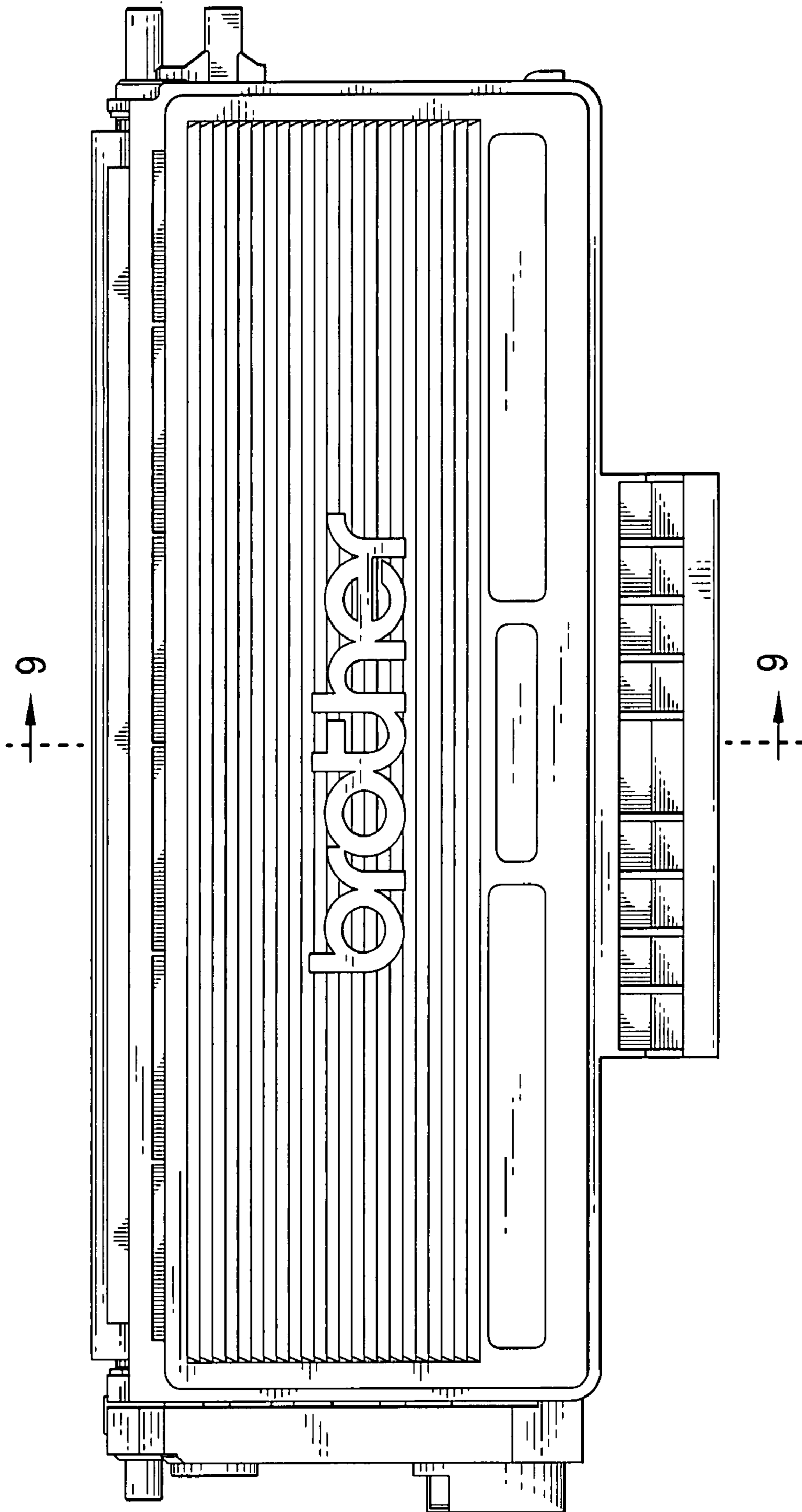


FIG. 4

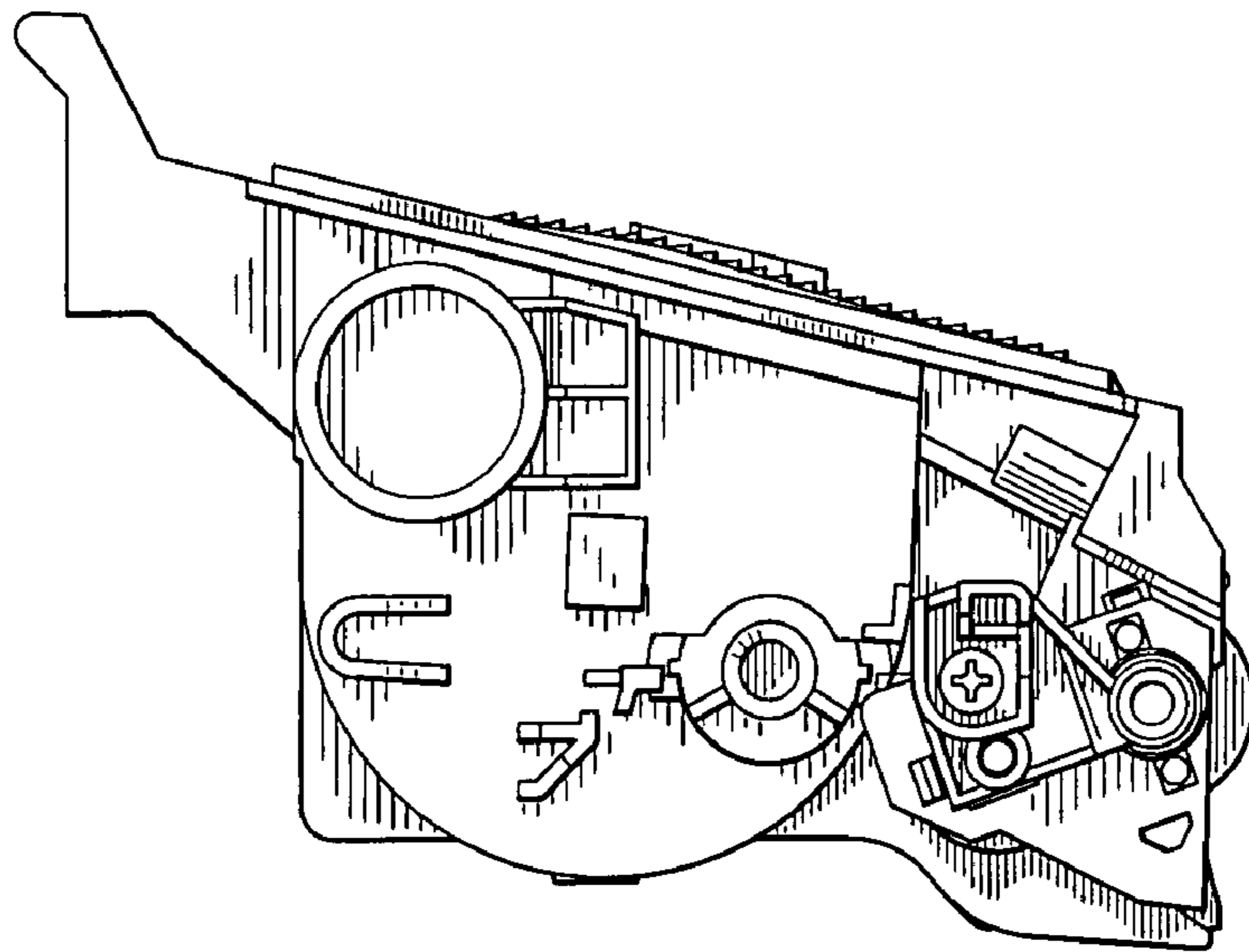


FIG. 5

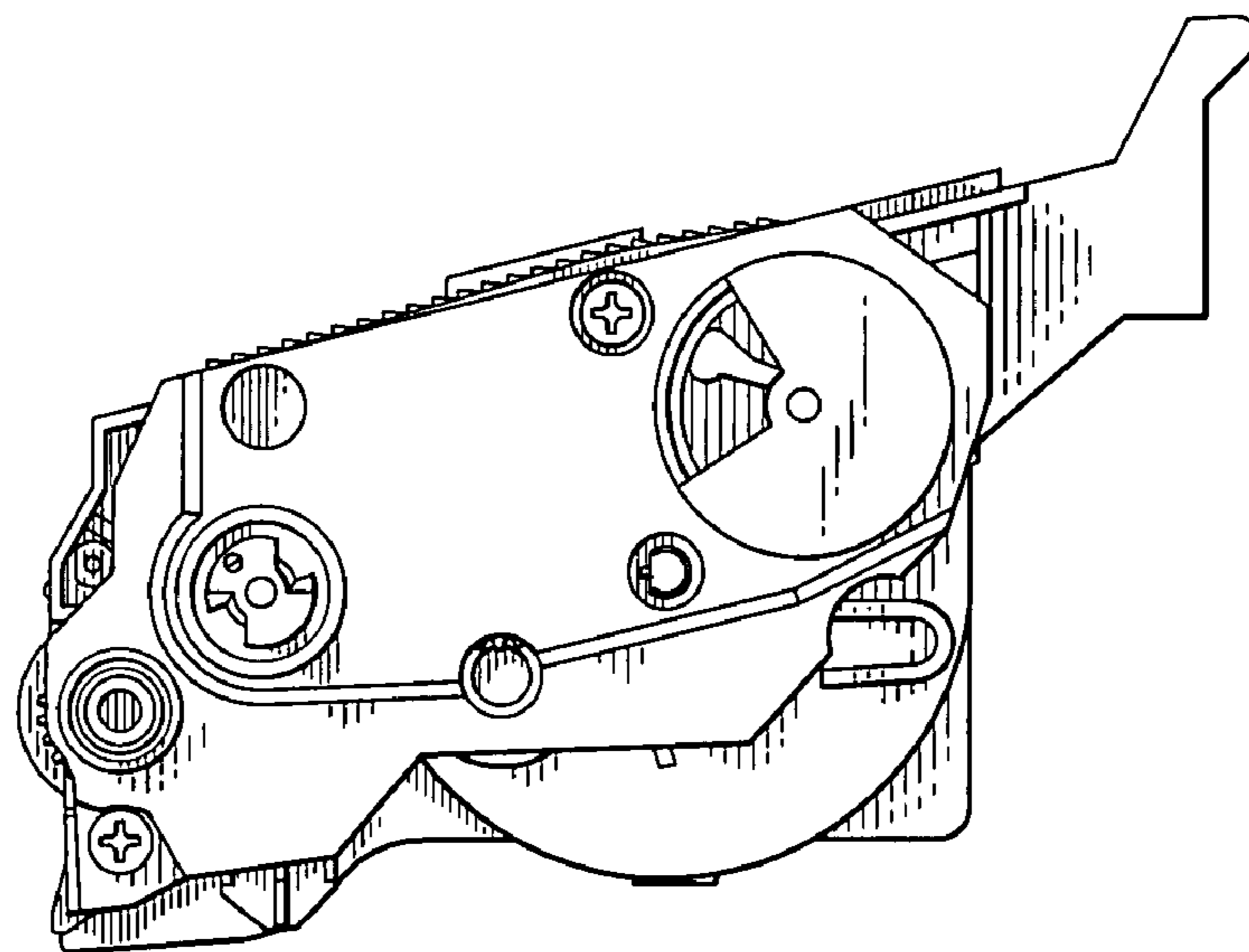


FIG. 6

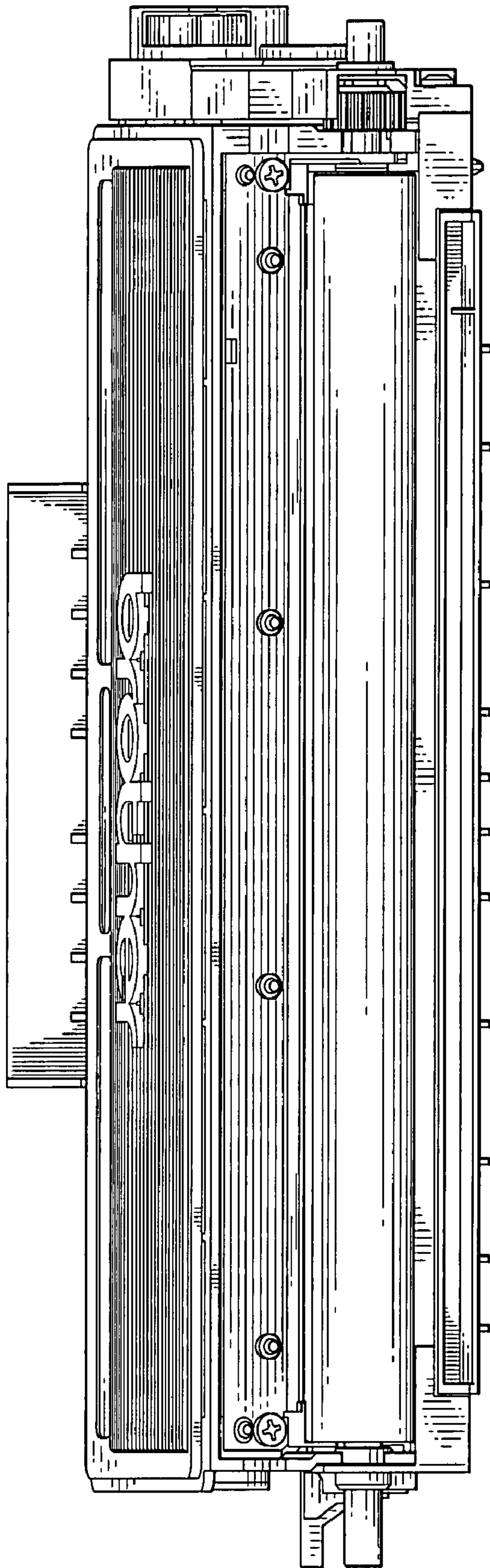


FIG. 7

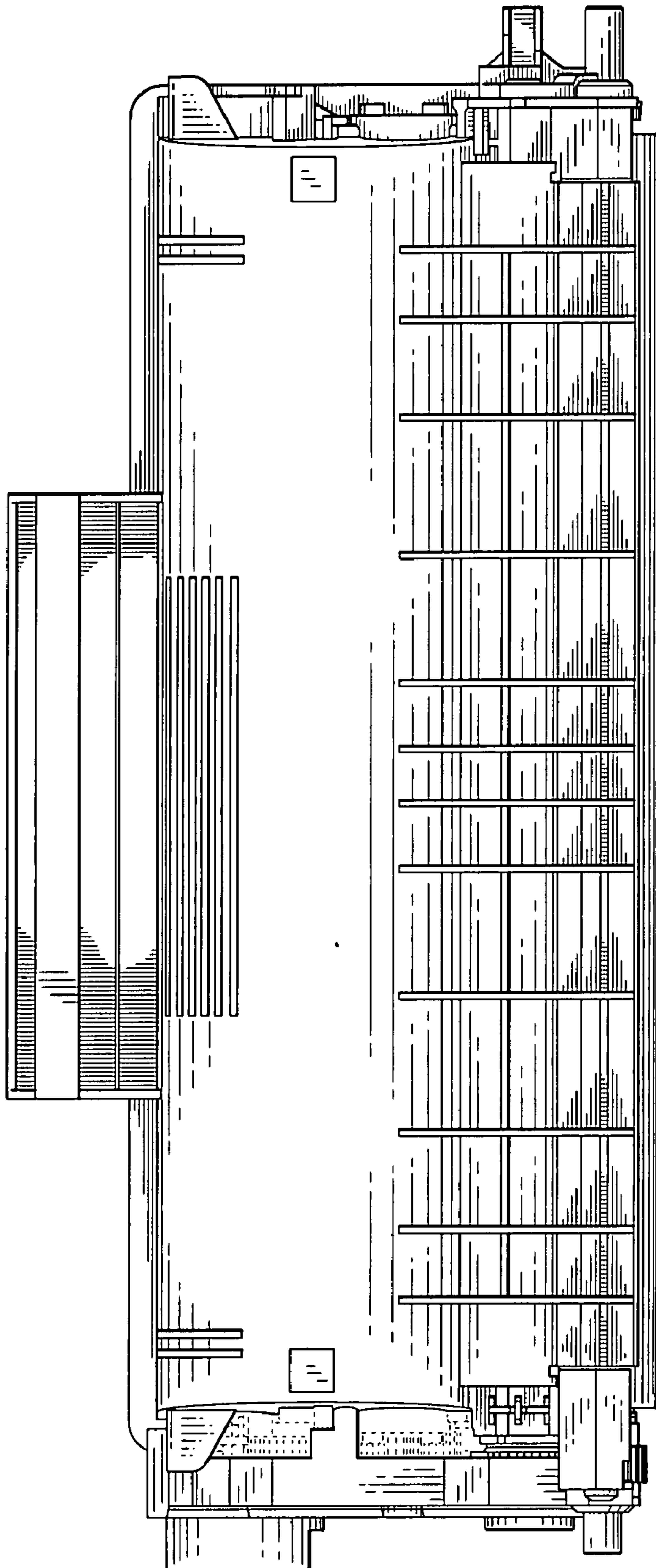


FIG. 8

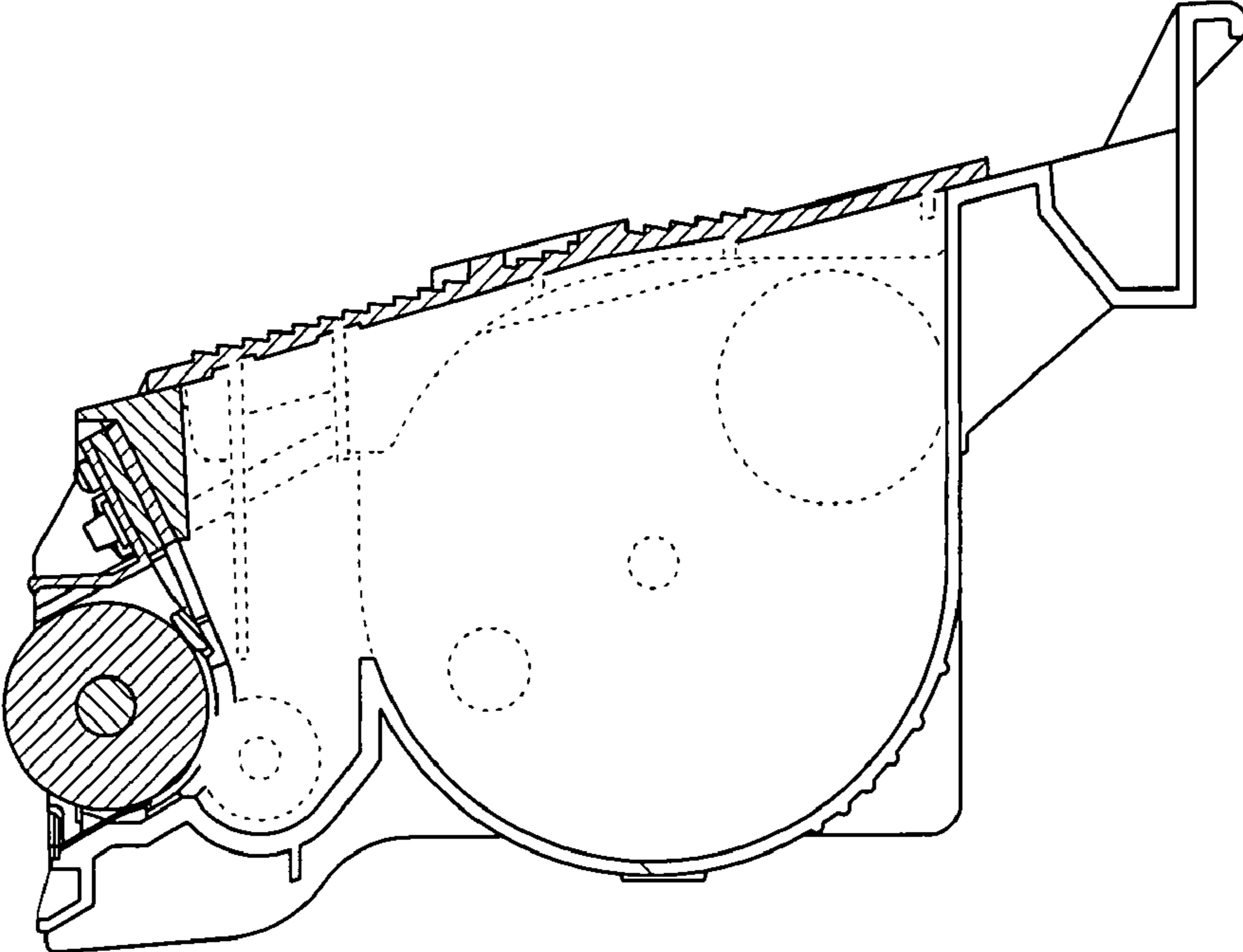


FIG. 9