



US00D550764S

(12) **United States Design Patent** (10) **Patent No.:** **US D550,764 S**  
**Ishikawa et al.** (45) **Date of Patent:** **\*\* Sep. 11, 2007**

(54) **TONER CARTRIDGE**

(75) Inventors: **Satoru Ishikawa**, Kasugai-gun (JP);  
**Takeyuki Takagi**, Nagoya (JP); **Isao Kishi**, Nagoya (JP)

(73) Assignee: **Brother Industries, Ltd.**, Nagoya (JP)

(\*\*) Term: **14 Years**

(21) Appl. No.: **29/245,318**

(22) Filed: **Dec. 22, 2005**

(51) **LOC (8) Cl.** ..... **16-03**

(52) **U.S. Cl.** ..... **D18/43**

(58) **Field of Classification Search** ..... D14/471;  
D18/12, 36, 40, 43, 44, 56; 222/DIG. 1;  
347/197, 222; 399/24-28, 107-112, 119,  
399/121, 122, 222-224; 400/207, 208  
See application file for complete search history.

(56) **References Cited**

**U.S. PATENT DOCUMENTS**

- D298,333 S \* 11/1988 Masaki et al. .... D18/43
- D332,962 S \* 2/1993 Kikuchi et al. .... D18/43
- D422,304 S 4/2000 Suzuki et al.
- D433,441 S \* 11/2000 Yonekawa et al. .... D18/43
- D442,216 S \* 5/2001 Kimura et al. .... D18/43
- 6,505,020 B1 \* 1/2003 Higeta et al. .... 399/109
- D471,228 S \* 3/2003 Okabe et al. .... D18/43
- D506,776 S 6/2005 Kobayashi et al.
- D507,296 S 7/2005 Ishii et al.
- D507,595 S 7/2005 Kobayashi et al.
- D507,596 S 7/2005 Kobayashi et al.
- D507,597 S 7/2005 Kobayashi et al.
- D507,809 S 7/2005 Kobayashi et al.
- D508,945 S 8/2005 Ishii et al.
- D510,947 S 10/2005 Ishii et al.
- D511,542 S 11/2005 Ishii et al.
- D512,092 S 11/2005 Kobayashi et al.
- D512,454 S 12/2005 Ishii et al.

- D519,150 S \* 4/2006 Kojima et al. .... D18/40
- 2002/0110385 A1 \* 8/2002 Terada et al. .... 399/111
- 2004/0265000 A1 \* 12/2004 Okabe ..... 399/110
- 2006/0177230 A1 \* 8/2006 Ishii ..... 399/27

**OTHER PUBLICATIONS**

- U.S. Appl. No. 29/197,019, filed Jan. 8, 2004, Kobayashi et al.
- U.S. Appl. No. 29/197,016, filed Jan. 8, 2004, Kobayashi et al.
- U.S. Appl. No. 29/197,021, filed Jan. 8, 2004, Kobayashi et al.
- U.S. Appl. No. 29/222,157, filed Jan. 27, 2005, Ishii et al.
- U.S. Appl. No. 29/222,156, filed Jan. 27, 2005, Ishii et al.
- U.S. Appl. No. 29/222,158, filed Jan. 27, 2005, Ishii et al.
- U.S. Appl. No. 29/222,088, filed Jan. 27, 2005, Ishii et al.
- U.S. Appl. No. 29/222,087, filed Jan. 27, 2005, Ishii et al.
- U.S. Appl. No. 29/222,086, filed Jan. 27, 2005, Ishii et al.

\* cited by examiner

*Primary Examiner*—Robert M. Spear  
*Assistant Examiner*—Garth Rademaker  
(74) *Attorney, Agent, or Firm*—Oliff & Berridge, PLC

(57) **CLAIM**

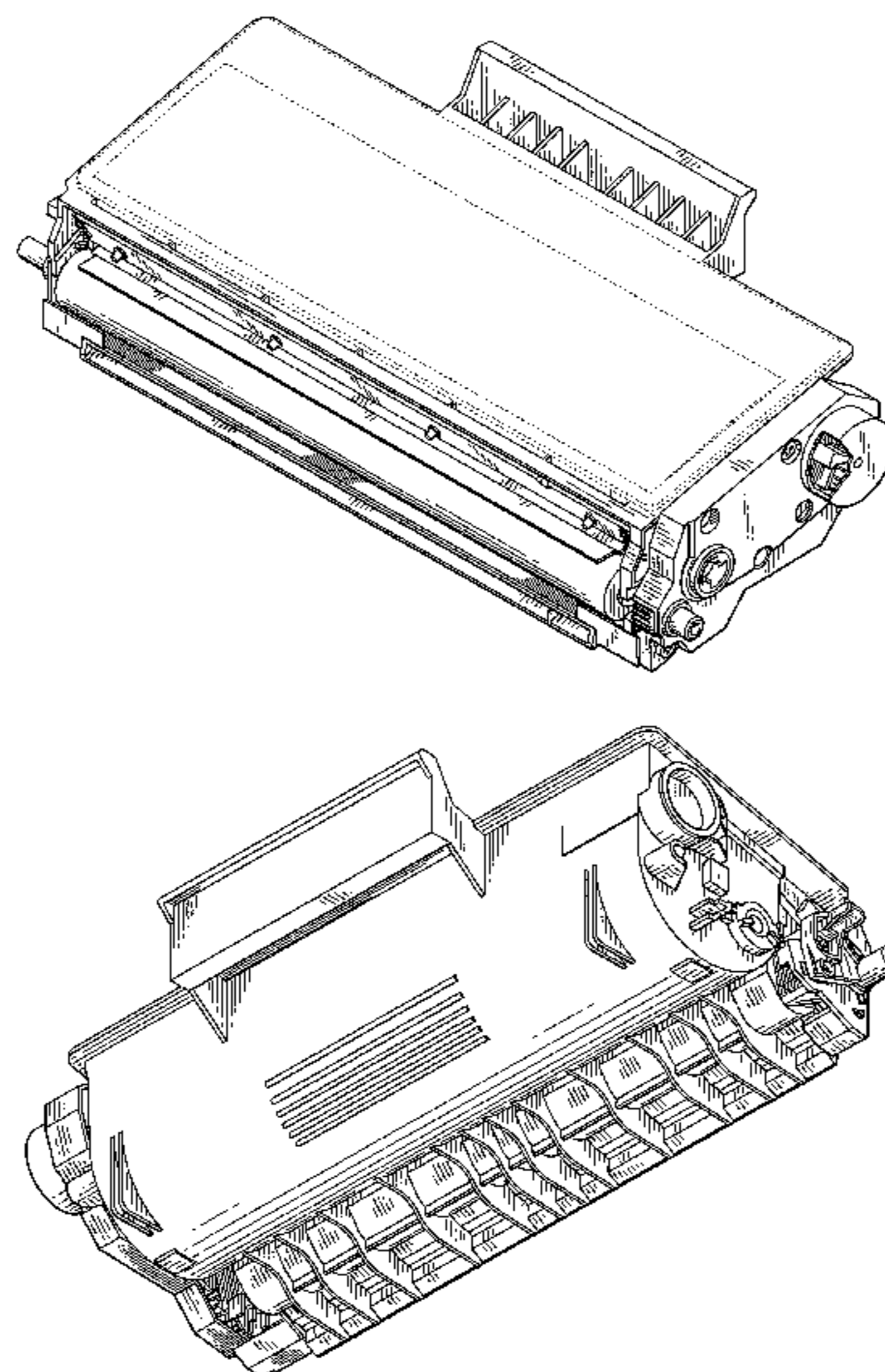
The ornamental design for toner cartridge, as shown and described.

**DESCRIPTION**

- FIG. 1 is a top perspective view of a toner cartridge;
- FIG. 2 is a bottom perspective view thereof;
- FIG. 3 is a front view thereof;
- FIG. 4 is a top view thereof;
- FIG. 5 is a right side view thereof;
- FIG. 6 is a left side view thereof;
- FIG. 7 is a rear view thereof; and,
- FIG. 8 is a bottom view thereof.

The broken lines depict environmental subject matter only and form no part of the claimed design.

**1 Claim, 7 Drawing Sheets**



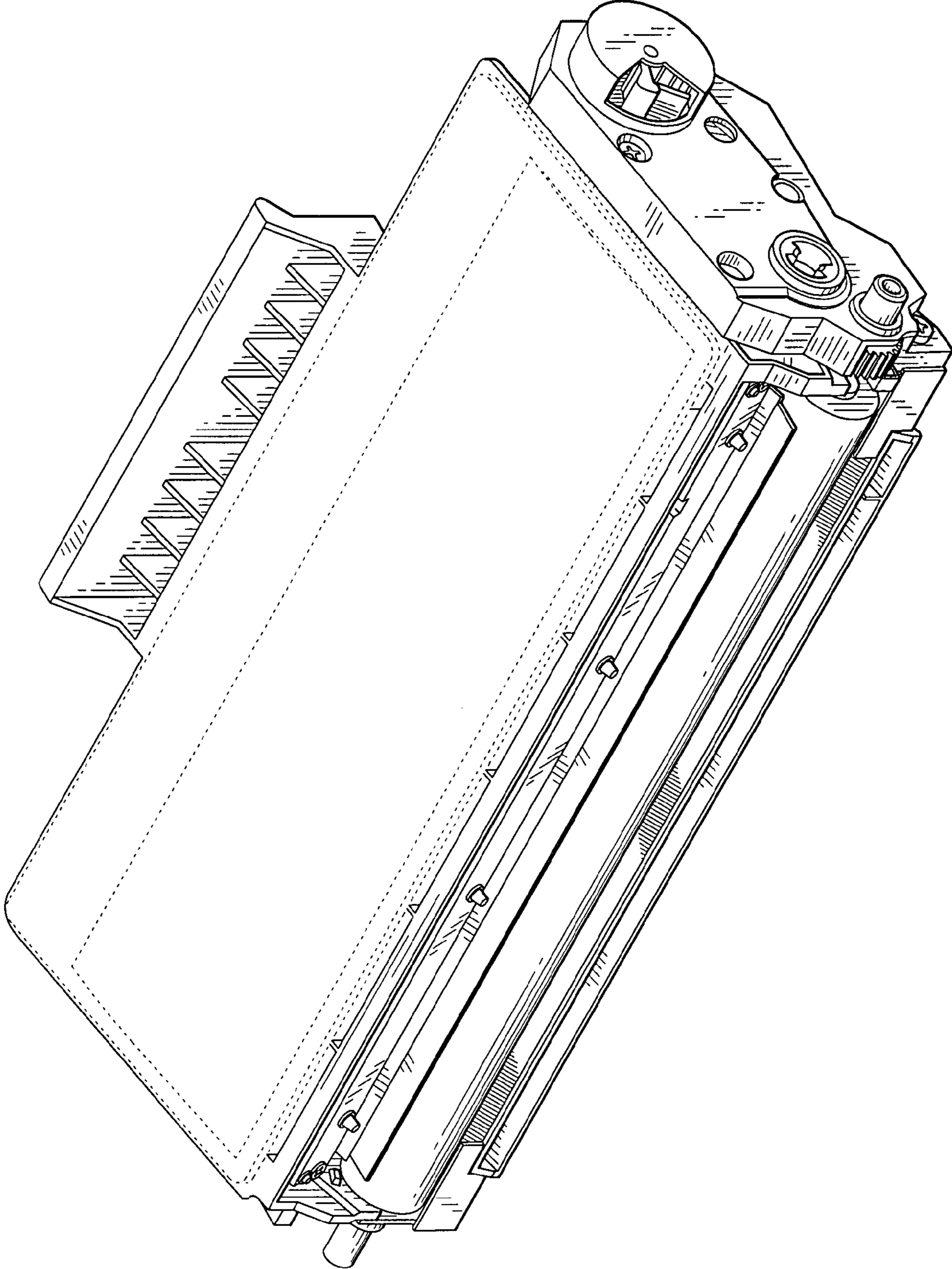


FIG. 1

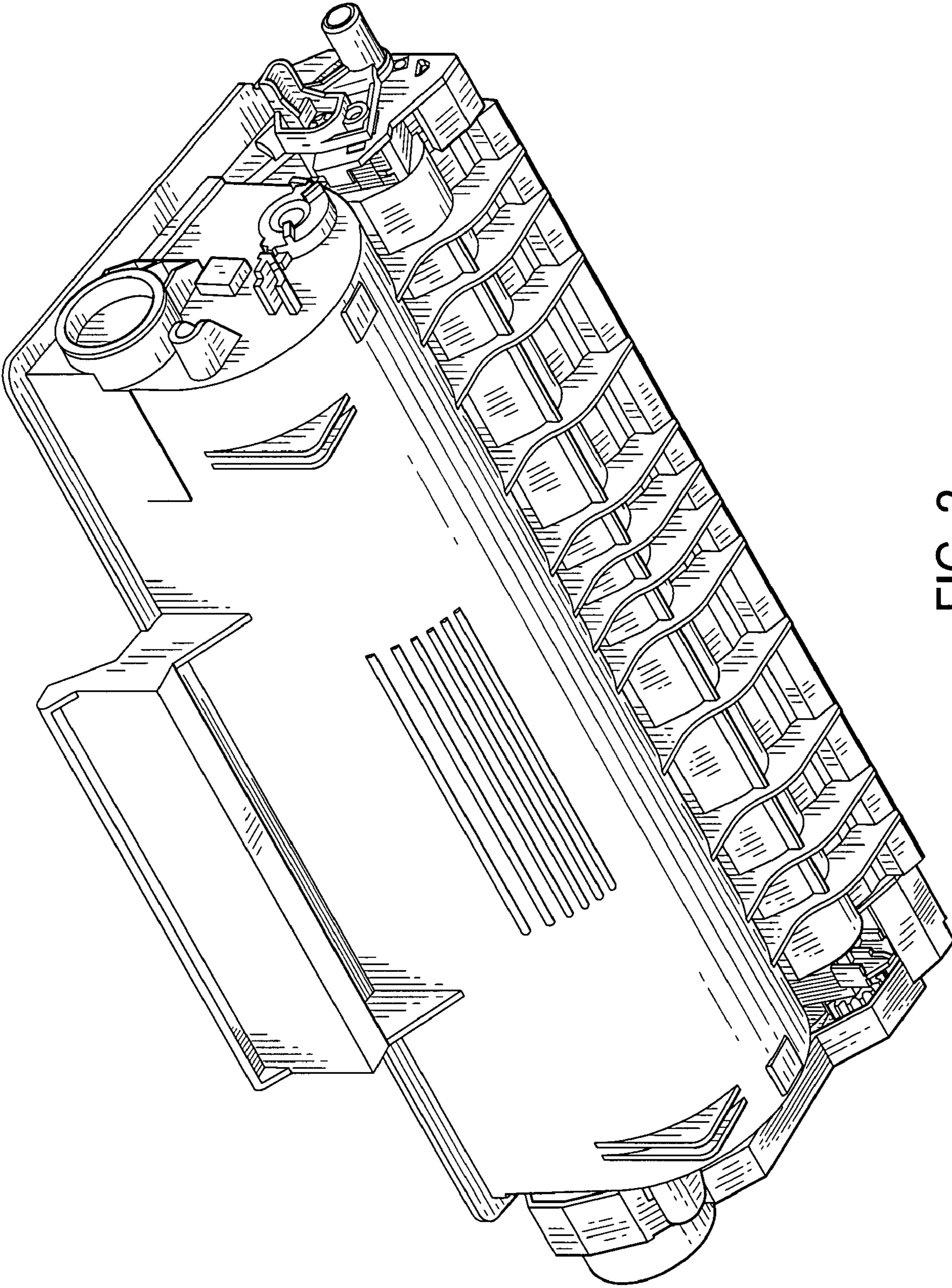


FIG. 2

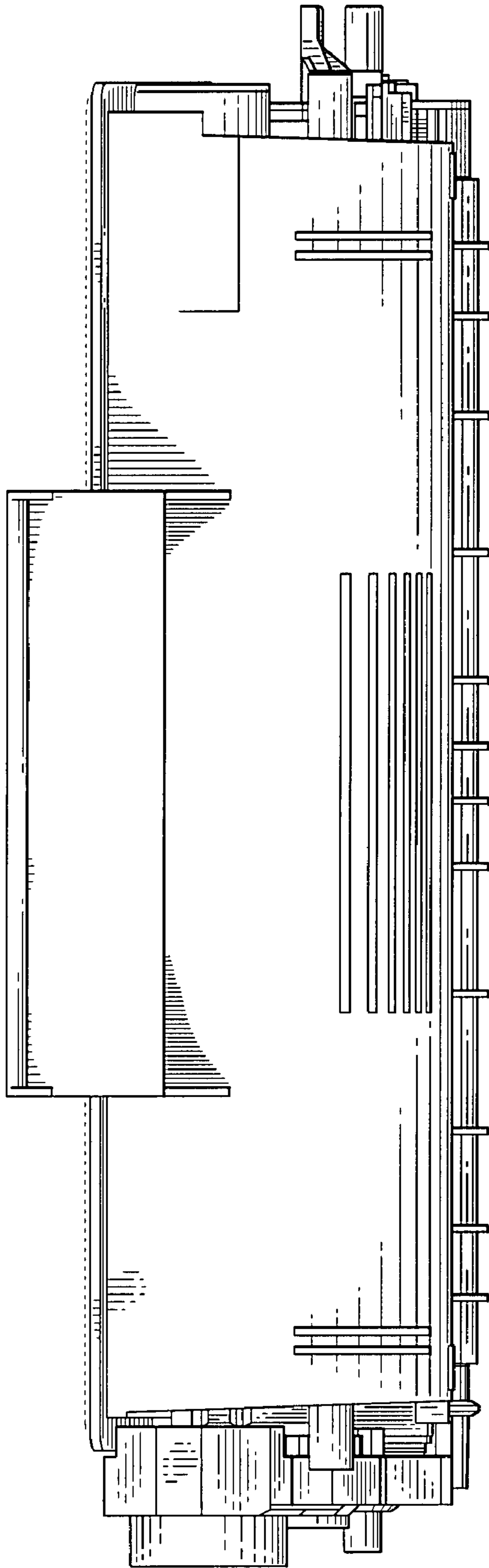


FIG. 3

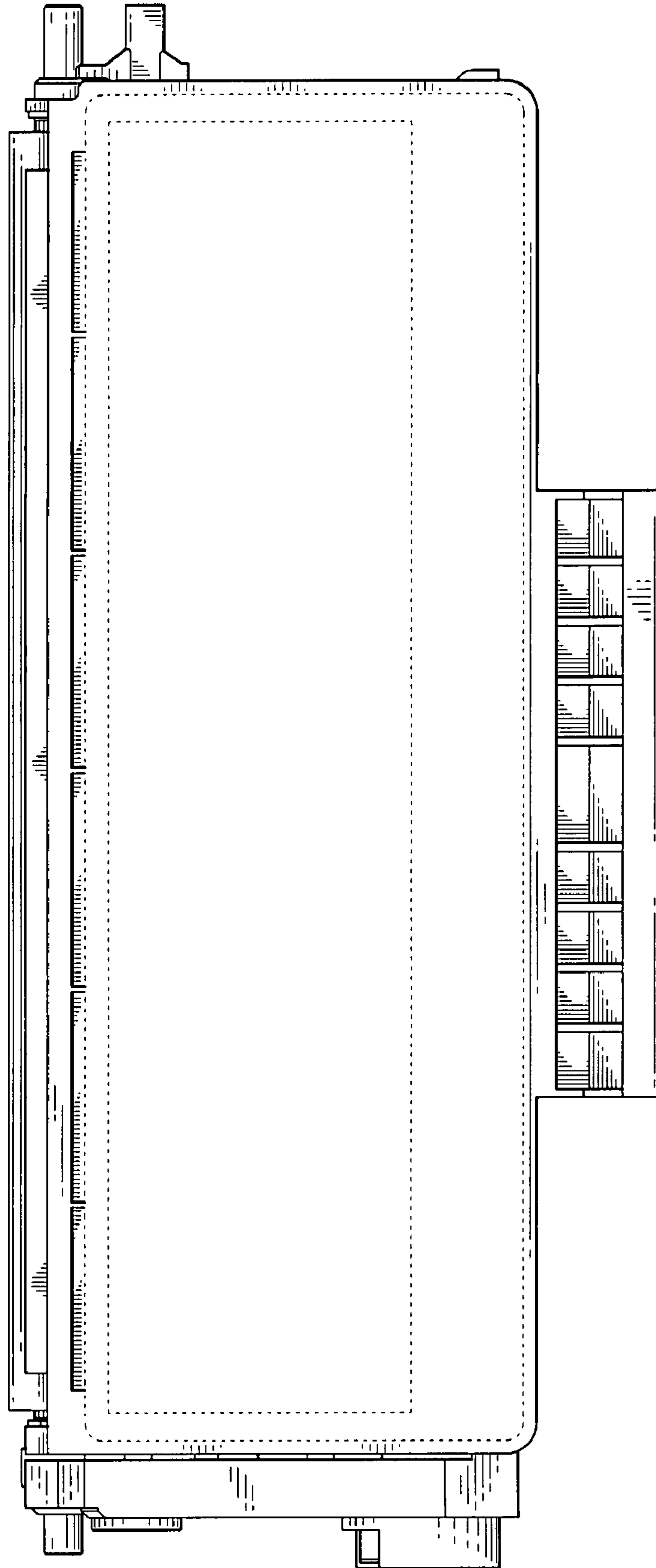


FIG. 4

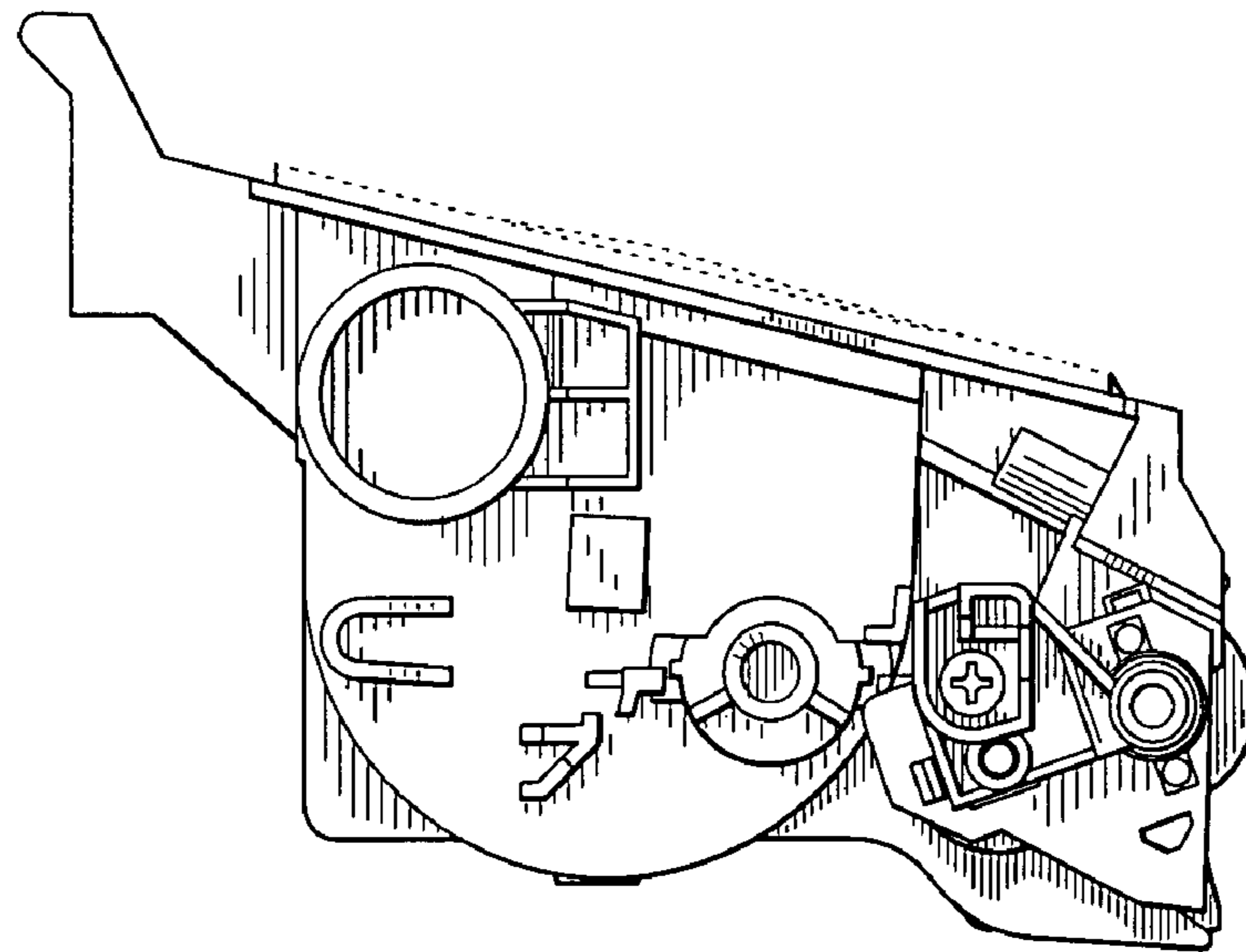


FIG. 5

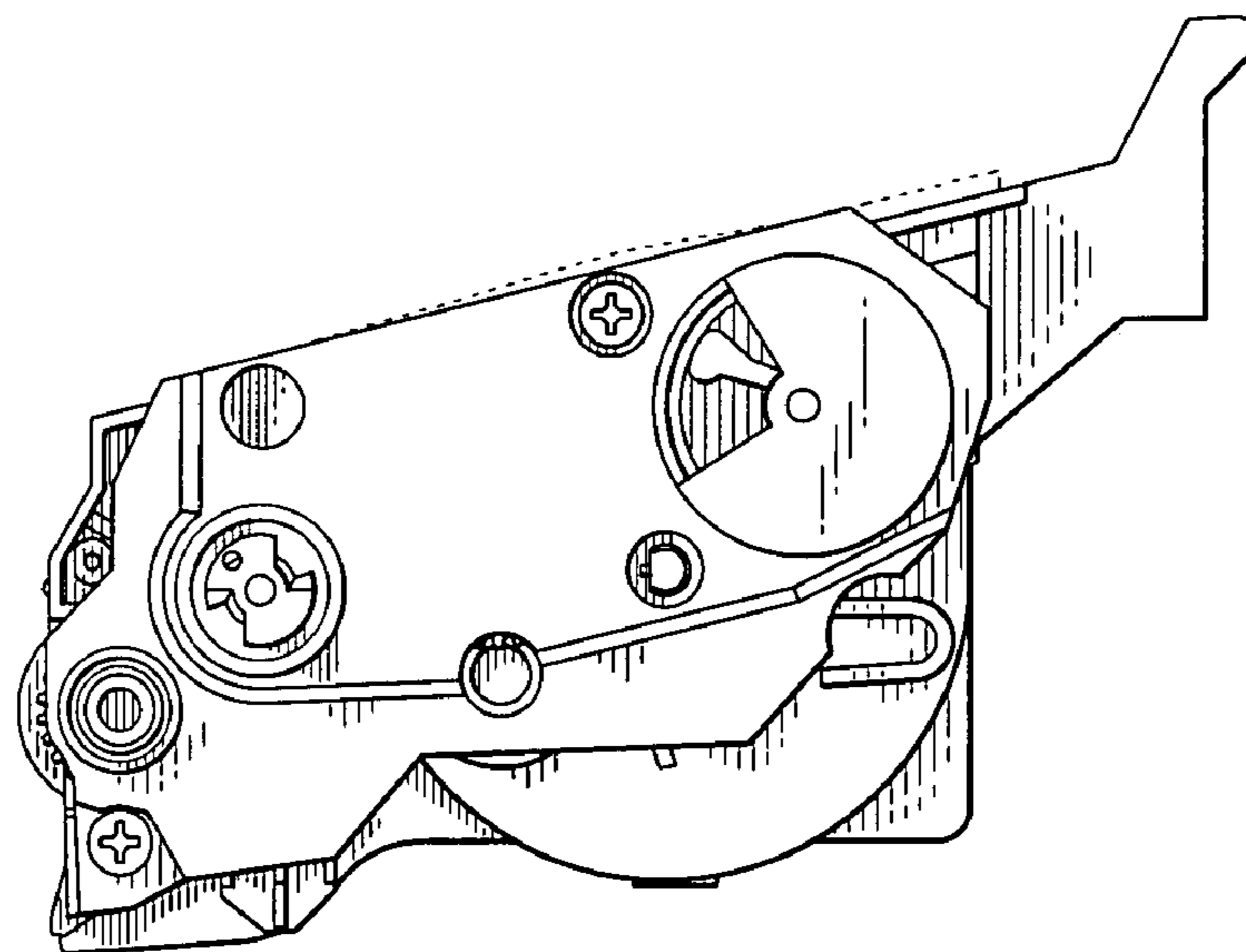


FIG. 6

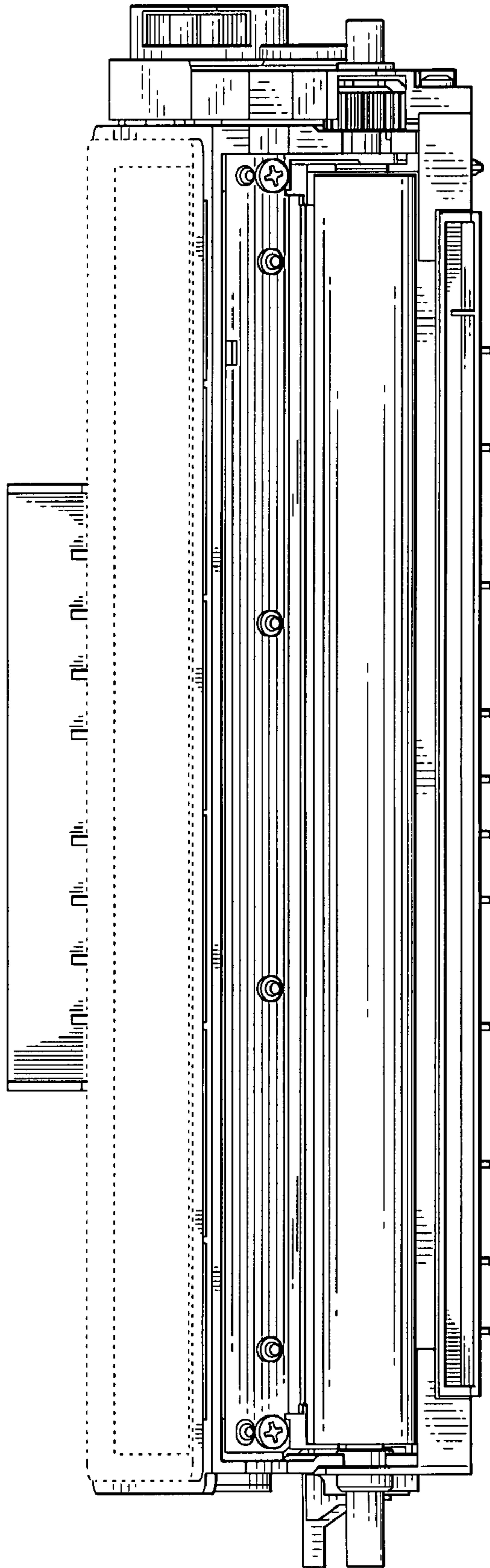


FIG. 7

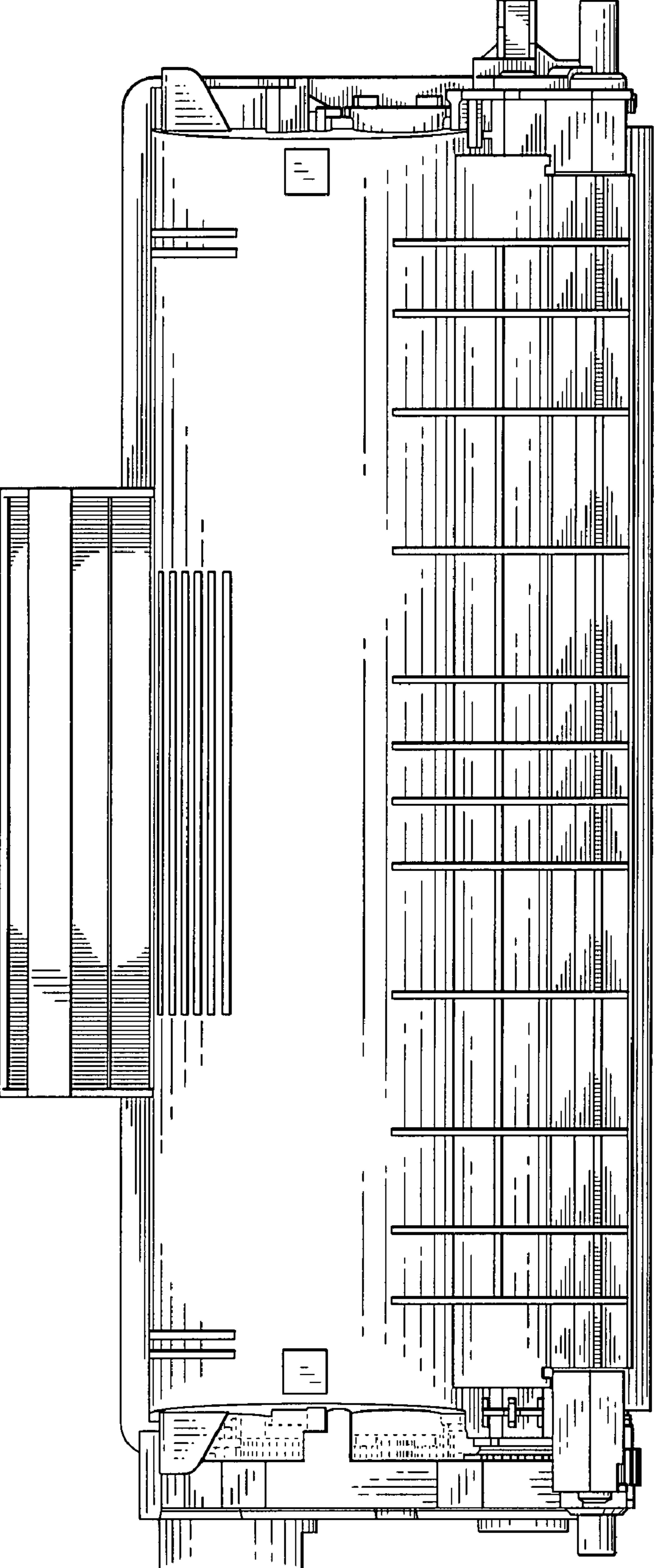


FIG. 8