



US00D550759S

(12) **United States Design Patent** (10) **Patent No.:** **US D550,759 S**
Beno et al. (45) **Date of Patent:** **** Sep. 11, 2007**

(54) **BINDING MACHINE**

WO DM/050928 * 2/2000

(75) Inventors: **Steven Beno**, Gurnee, IL (US); **Mikael Bäckström**, Chicago, IL (US)

OTHER PUBLICATIONS

AccuCut® 2003 Education Catalog, pp. 23-24, © 2003.
AccuCut® 2002 Education Catalog, pp. 30-31, © 2001.
AccuCut® 2001 Education Catalog, pp. 24-25, © 2001.
AccuCut® 2000 Education Catalog, pp. 34-35, © 1999.

(73) Assignee: **General Binding Corporation**, Northbrook, IL (US)

Primary Examiner—Charles A. Rademaker
(74) *Attorney, Agent, or Firm*—Michael Best & Friedrich LLP

(**) Term: **14 Years**

(21) Appl. No.: **29/236,171**

(57) **CLAIM**

(22) Filed: **Aug. 12, 2005**

The ornamental design for binding machine, as shown and described.

(51) **LOC (8) Cl.** **18-04**

(52) **U.S. Cl.** **D18/34.2**

(58) **Field of Classification Search** D18/34.1–34.9,
D18/99, 50; 83/167, 289, 302, 203, 523,
83/633; 241/169.1, 36, 154, 157, 222, 224,
241/168, 284, 295, 37.5, 100, 236; 385/13;
D8/99; D7/381, 383

DESCRIPTION

See application file for complete search history.

FIG. 1 is a top, front and right side perspective of a binding machine showing our new design;
FIG. 2 is a top, rear and right side perspective view thereof;
FIG. 3 is a top plan view thereof;
FIG. 4 is a bottom plan view thereof;
FIG. 5 is a front elevation thereof;
FIG. 6 is a rear elevation thereof;
FIG. 7 is a left elevation view thereof;
FIG. 8 is a right elevation view thereof;
FIG. 9 is a top front and right side perspective view of a modified embodiment the design shown in FIGS. 1 through 8;
FIG. 10 is a top, rear and right side perspective view thereof;
FIG. 11 is a top plan view thereof;
FIG. 12 is a bottom view thereof;
FIG. 13 is a front elevation thereof;
FIG. 14 is a rear elevation thereof;
FIG. 15 is a left elevation side view thereof; and,
FIG. 16 is a right elevation thereof.

(56) **References Cited**

U.S. PATENT DOCUMENTS

3,060,780 A * 10/1962 Stuckens D18/34.1
3,879,783 A * 4/1975 Giulie 412/43
D246,204 S 10/1977 Balmer et al.
D261,529 S 10/1981 Hausmann
D261,530 S 10/1981 Hausmann
D284,870 S 7/1986 Terracciano
D287,511 S * 12/1986 Scharer D18/34.2
D296,115 S 6/1988 Scharer
5,015,138 A * 5/1991 Crudo et al. 412/43
D320,040 S 9/1991 Miles et al.
D320,408 S 10/1991 Seid et al.
5,211,522 A * 5/1993 Ho 412/16

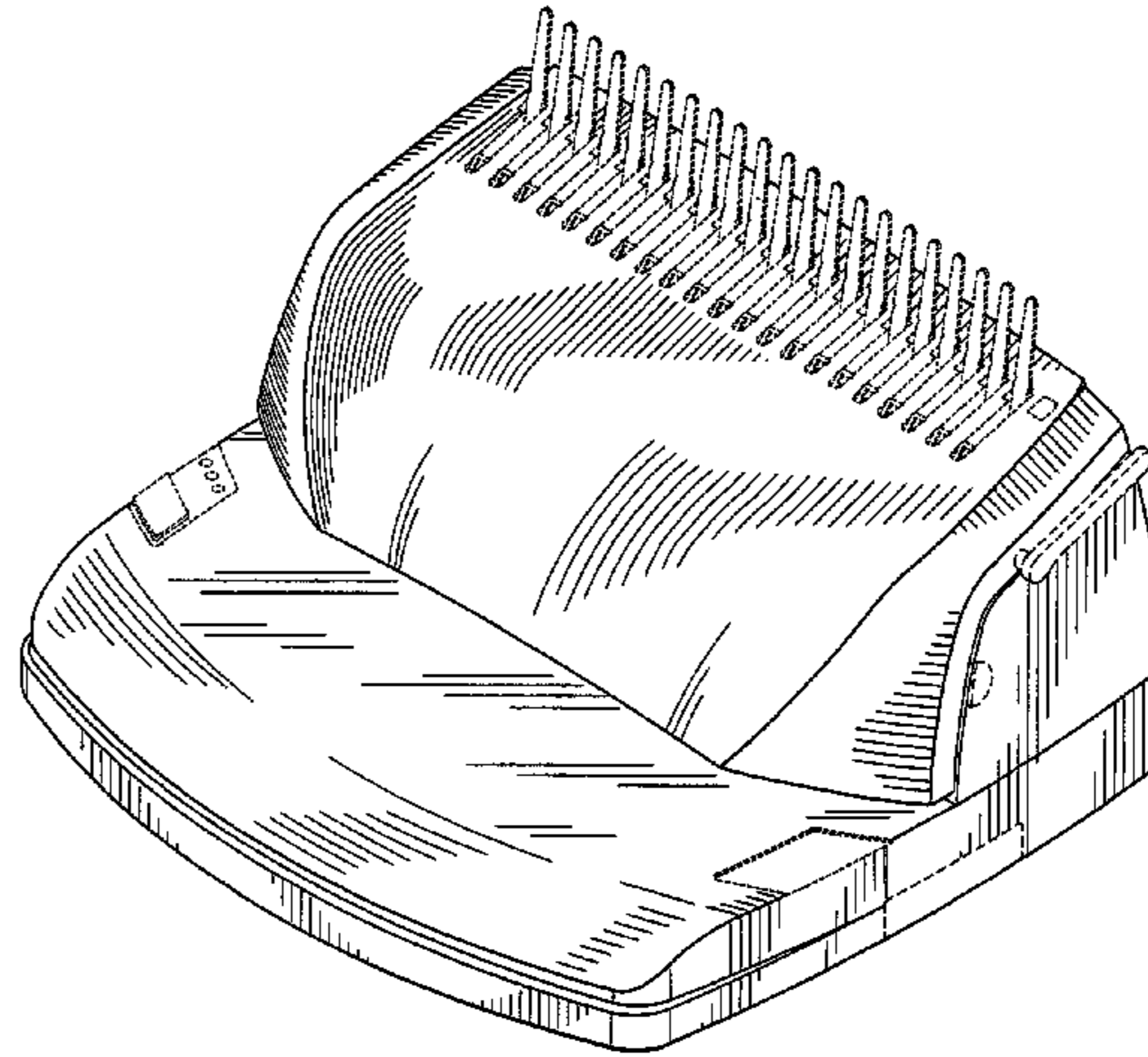
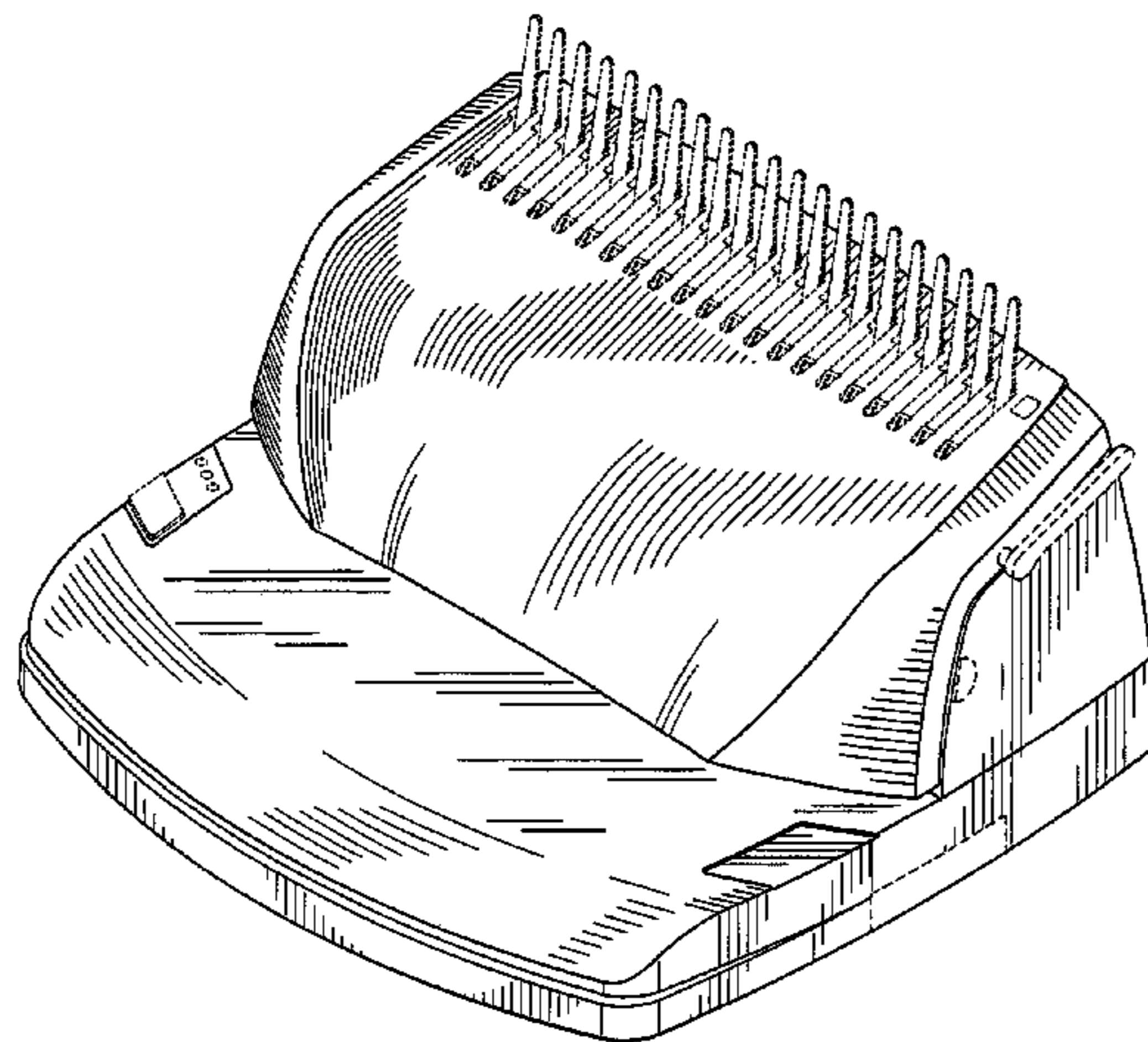
(Continued)

FOREIGN PATENT DOCUMENTS

GB 2060757 * 12/1996
GB 2083372 * 7/1999
GB 2097836 * 12/2000

The broken lines are for illustration purposes only and form no part of the claimed design.

1 Claim, 16 Drawing Sheets



US D550,759 S

Page 2

U.S. PATENT DOCUMENTS

D358,834 S	5/1995	Cox		D482,058 S	11/2003	Knight
D359,065 S	6/1995	Cox		D482,385 S	11/2003	Knight
D365,580 S	* 12/1995	Stiles et al.	D18/34.2	D483,798 S	12/2003	Knight
D423,039 S	4/2000	Cox		D497,939 S	11/2004	Henderson et al.
D437,344 S	2/2001	Reuter		D504,148 S	4/2005	Smith et al.
D437,345 S	2/2001	Reuter		D507,808 S	7/2005	Smith et al.

* cited by examiner

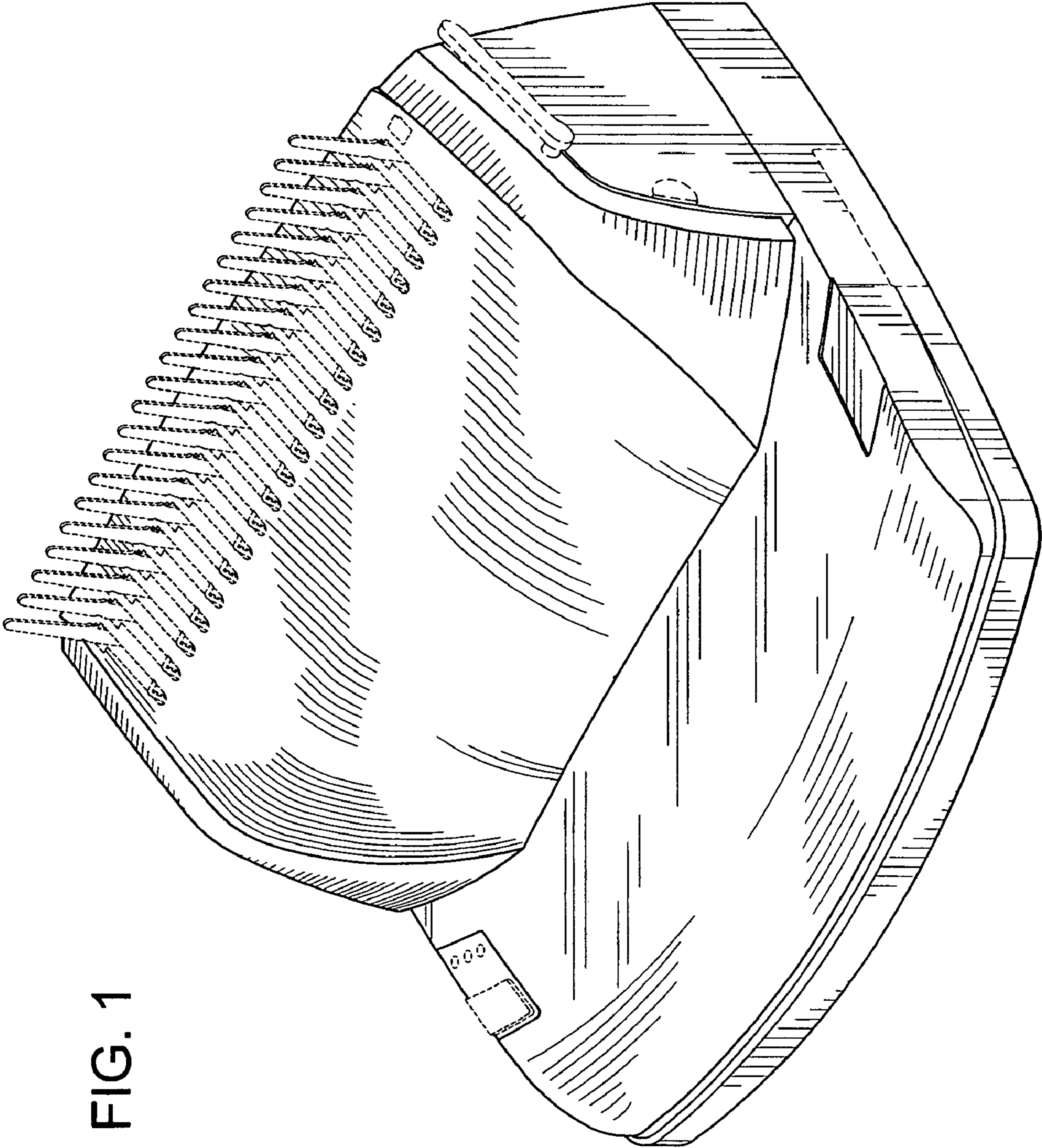


FIG. 1

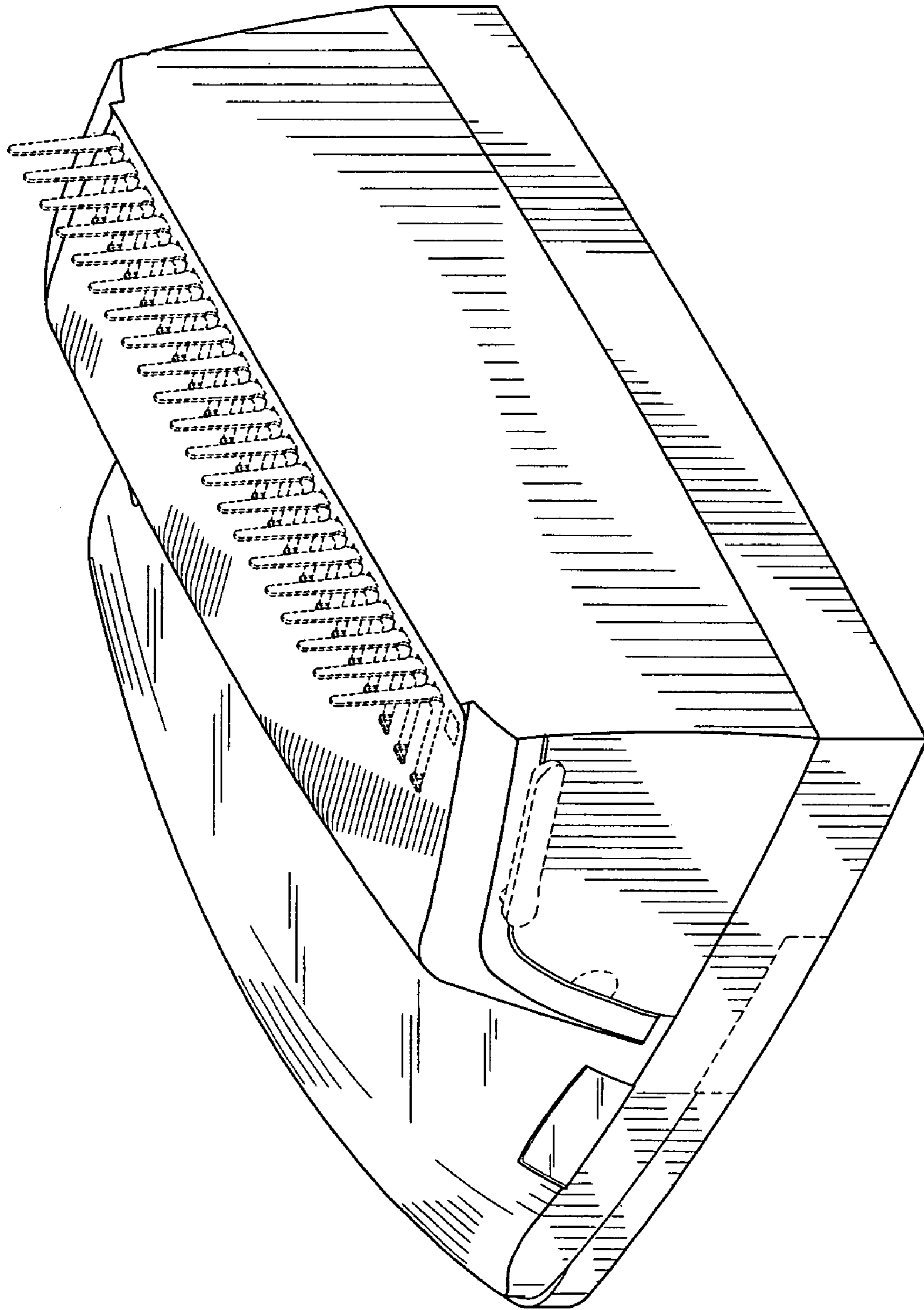
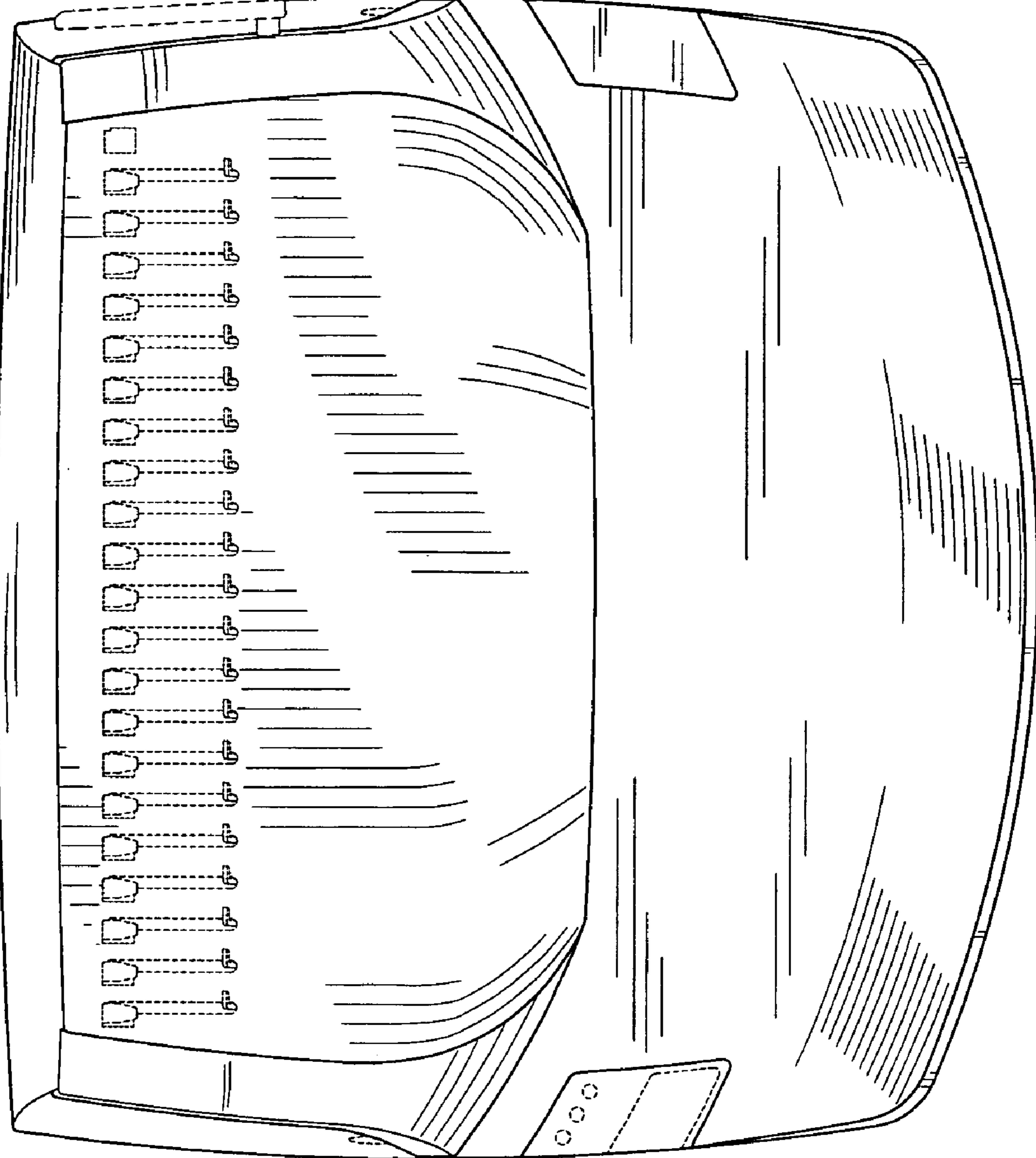


FIG. 2

FIG. 3



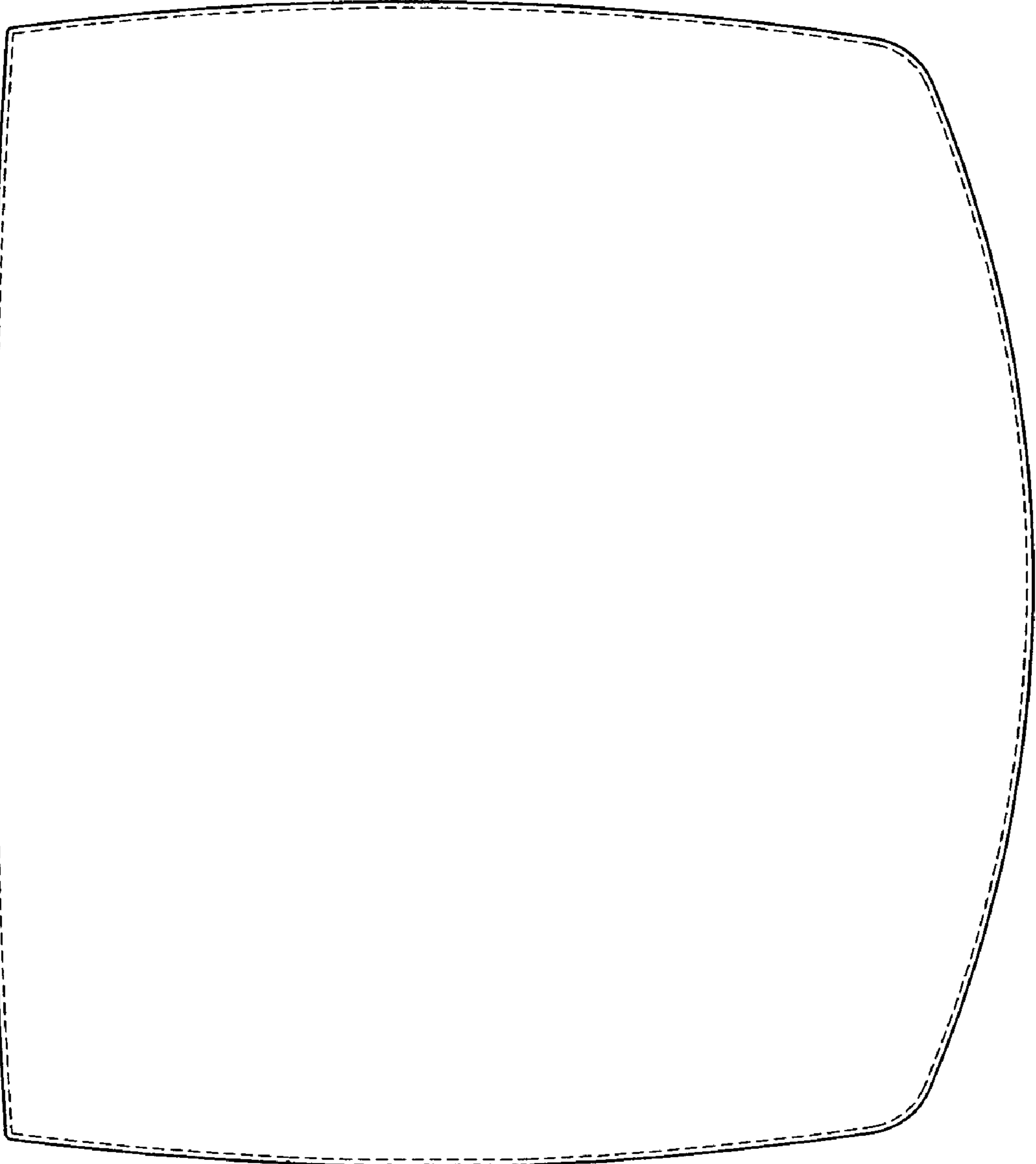


FIG. 4

FIG. 5

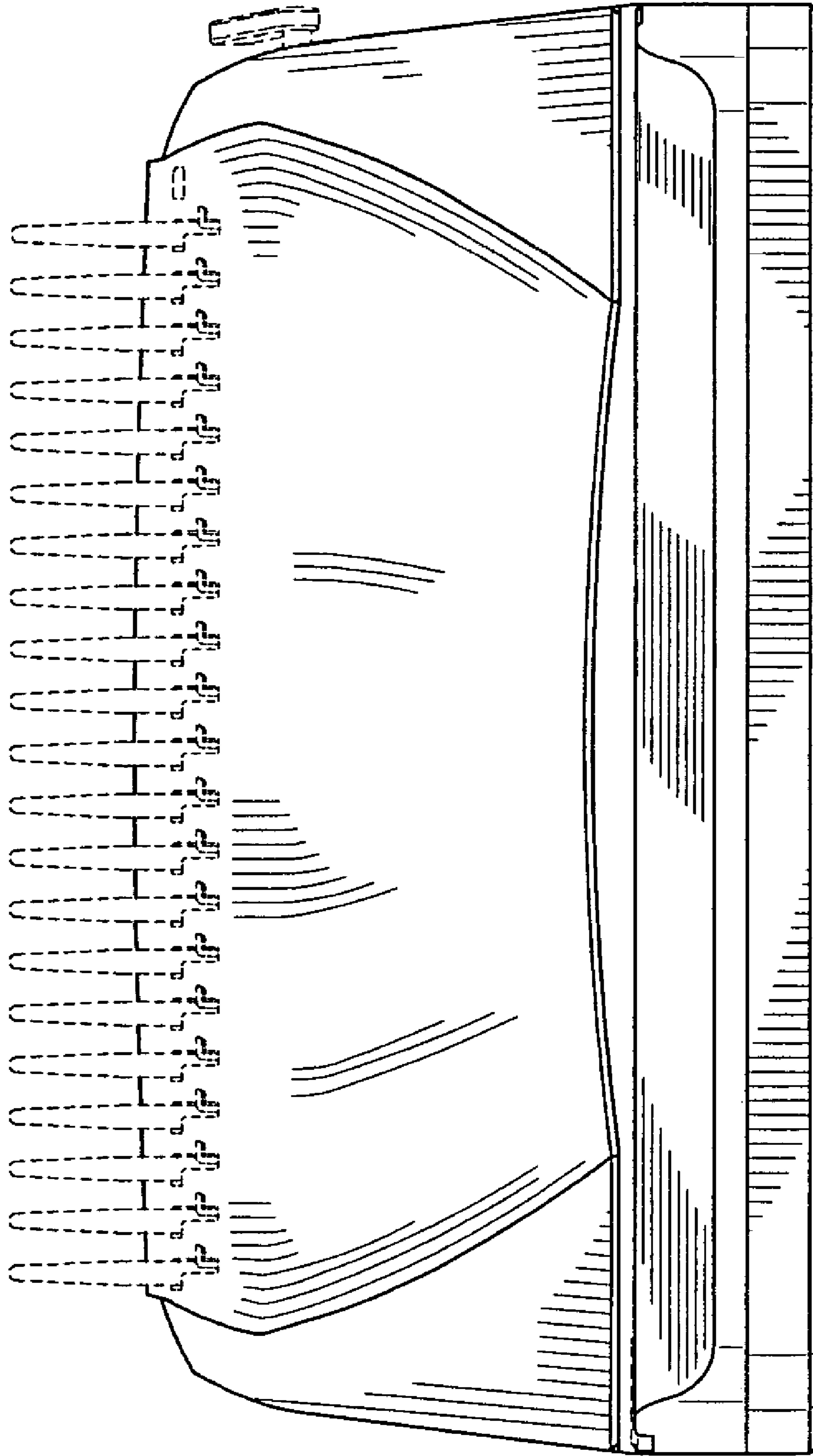


FIG. 6

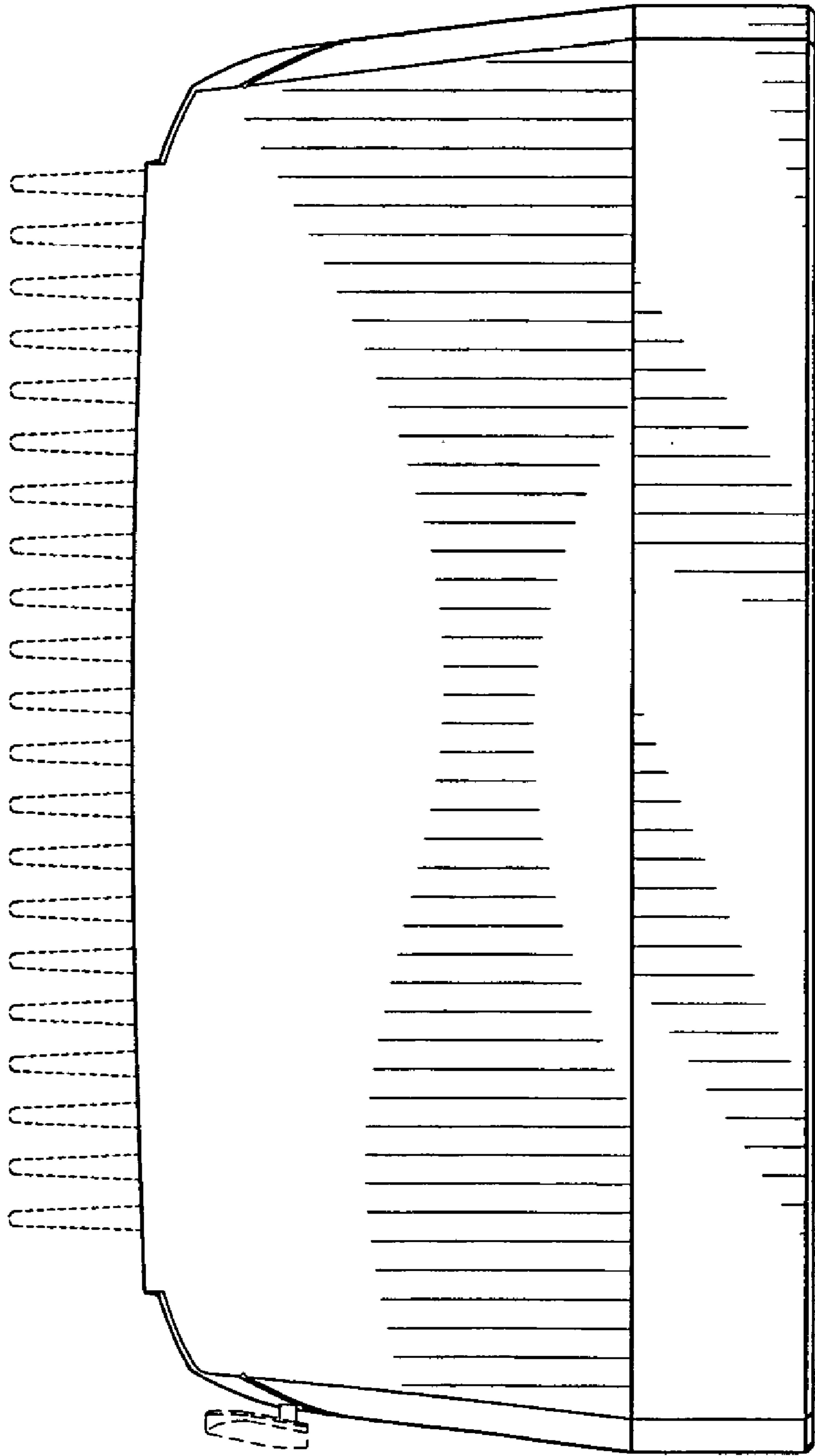
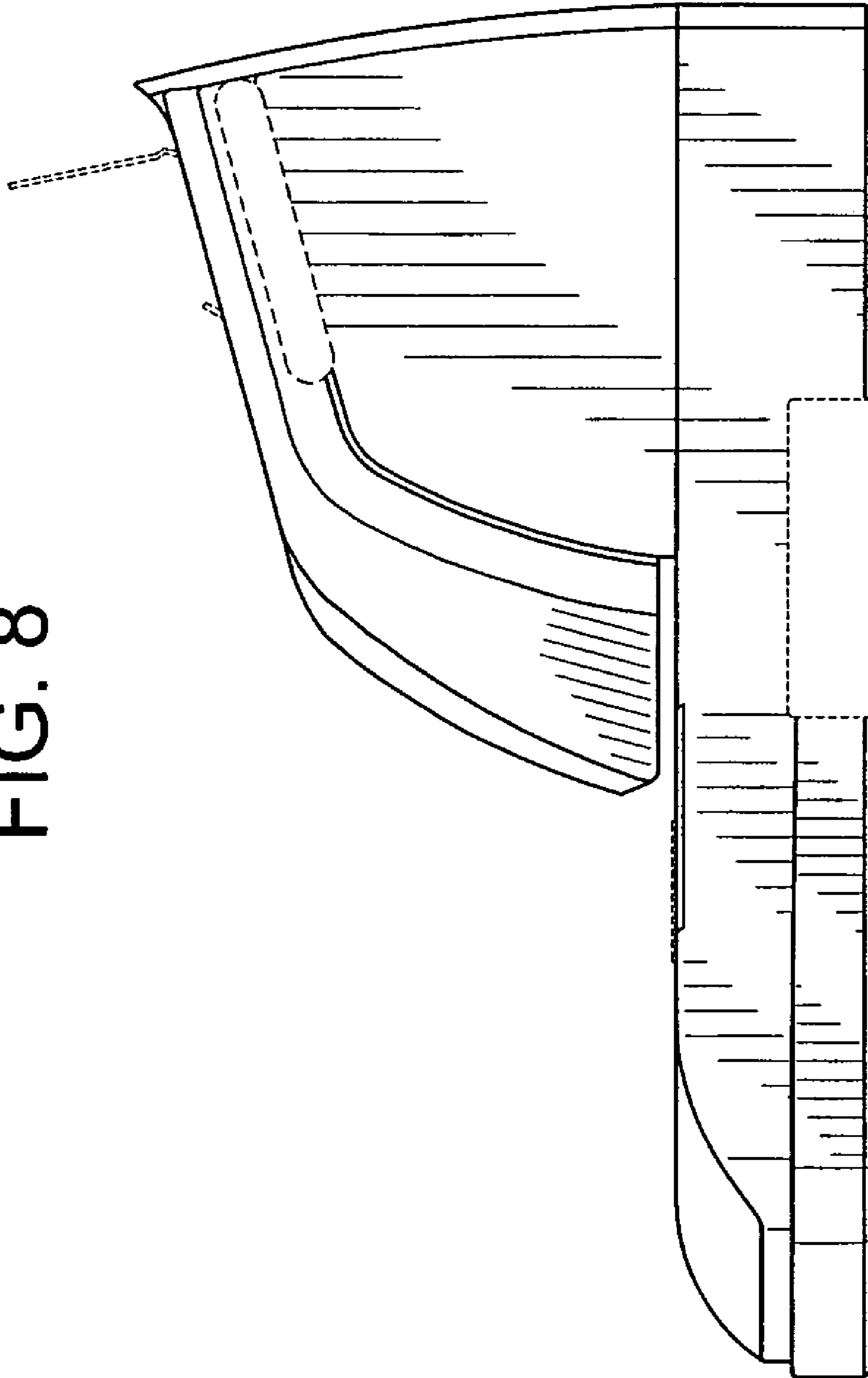


FIG. 7



FIG. 8



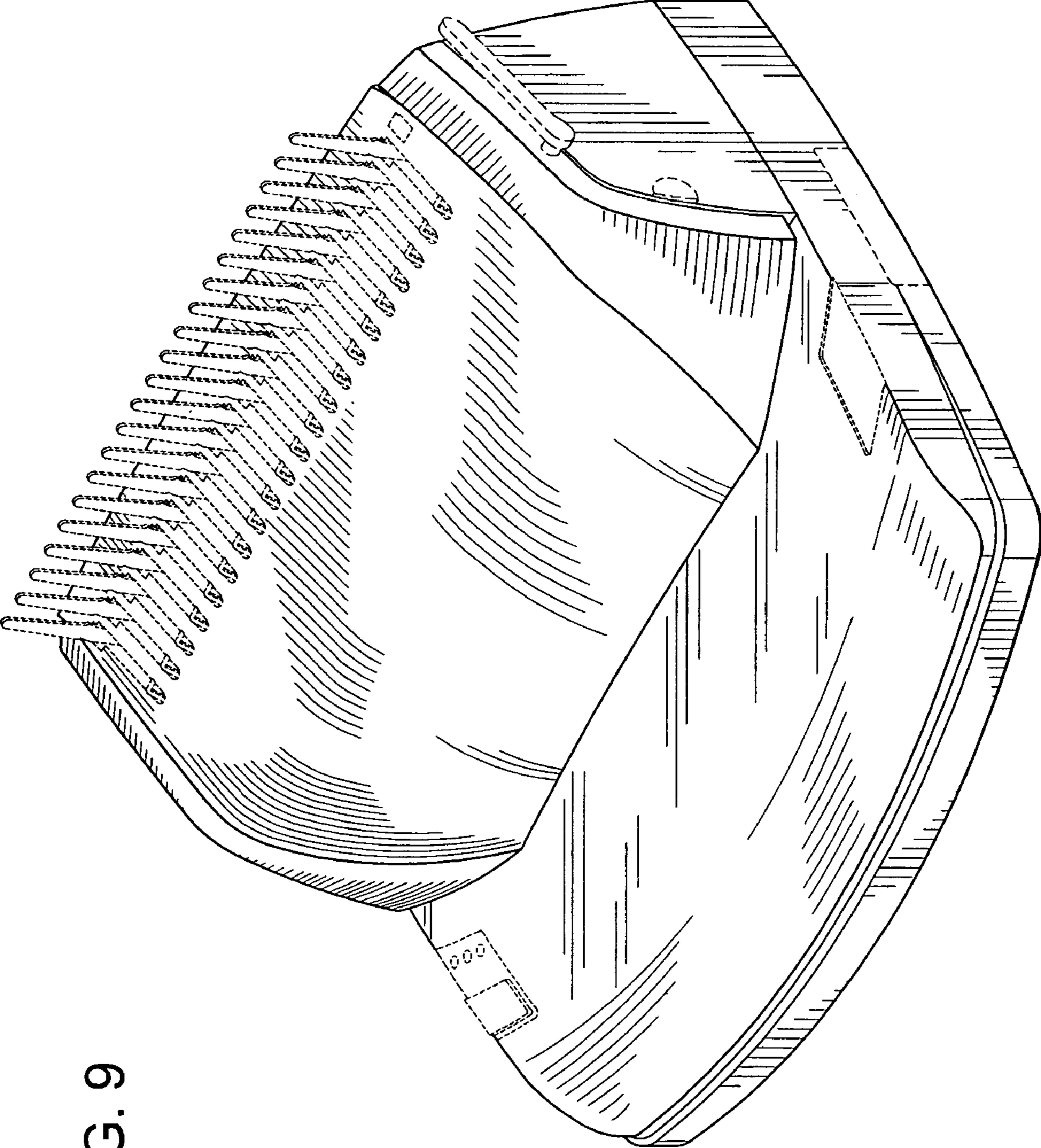


FIG. 9

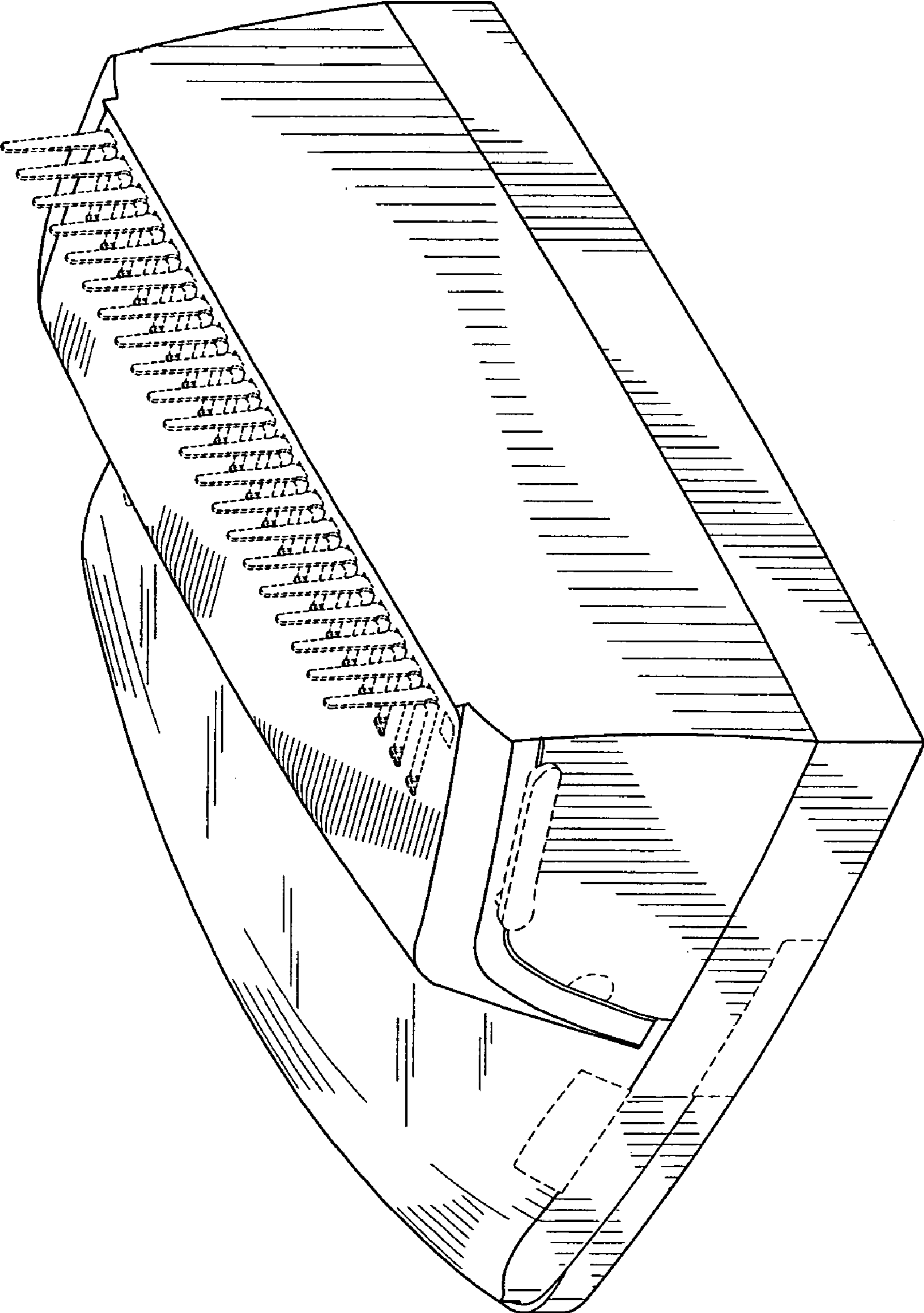
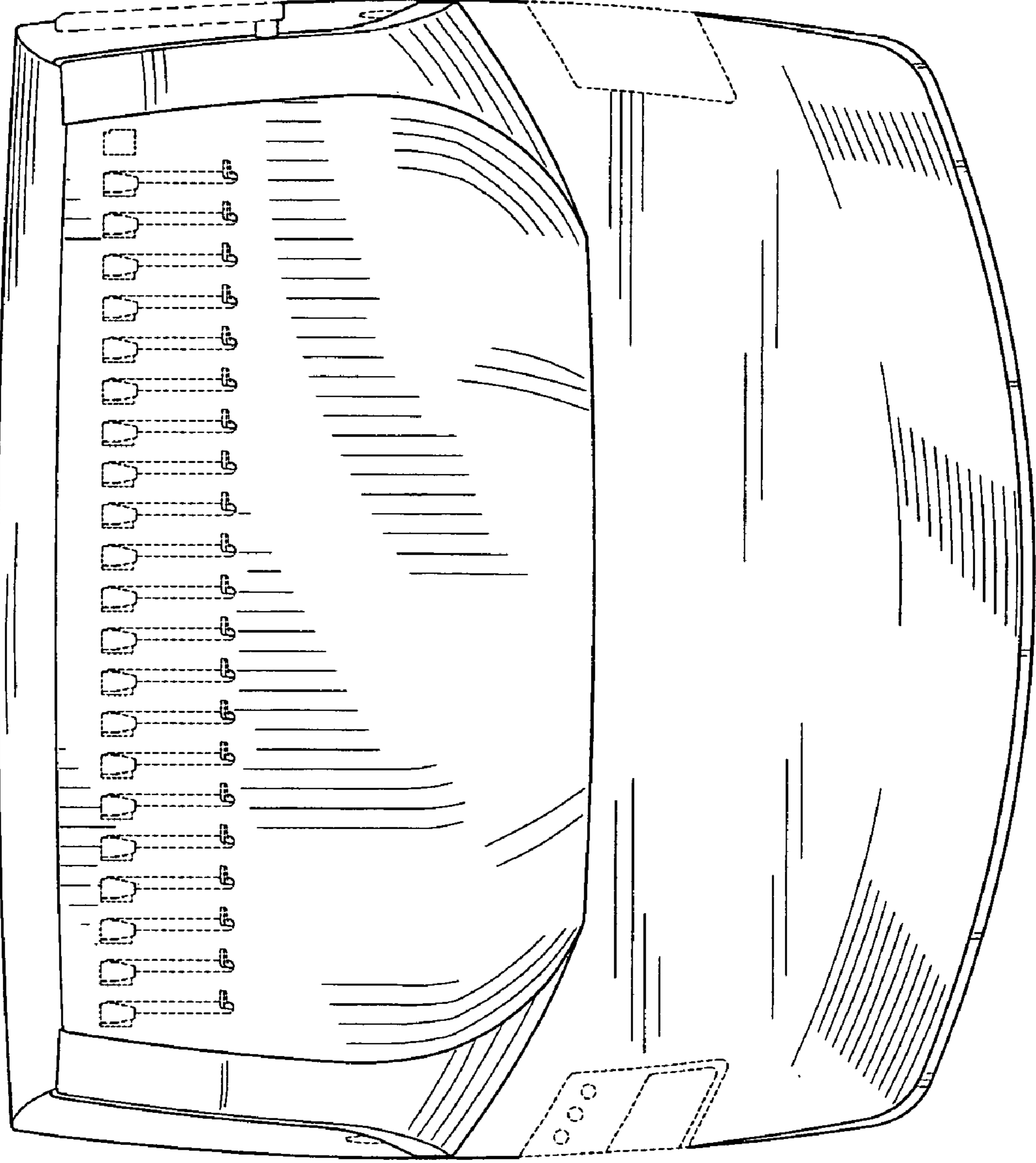


FIG. 10

FIG. 11



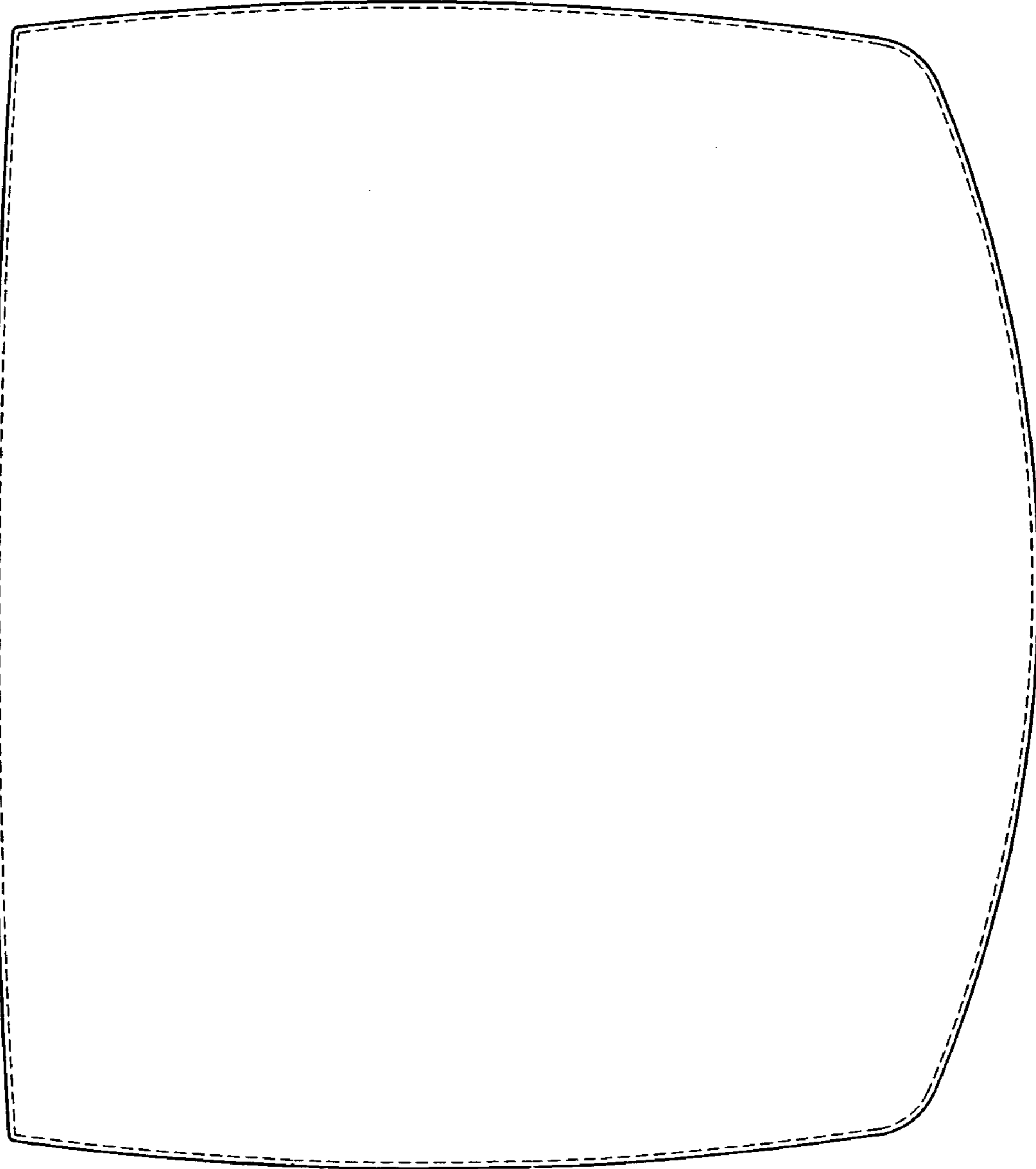


FIG. 12

FIG. 13

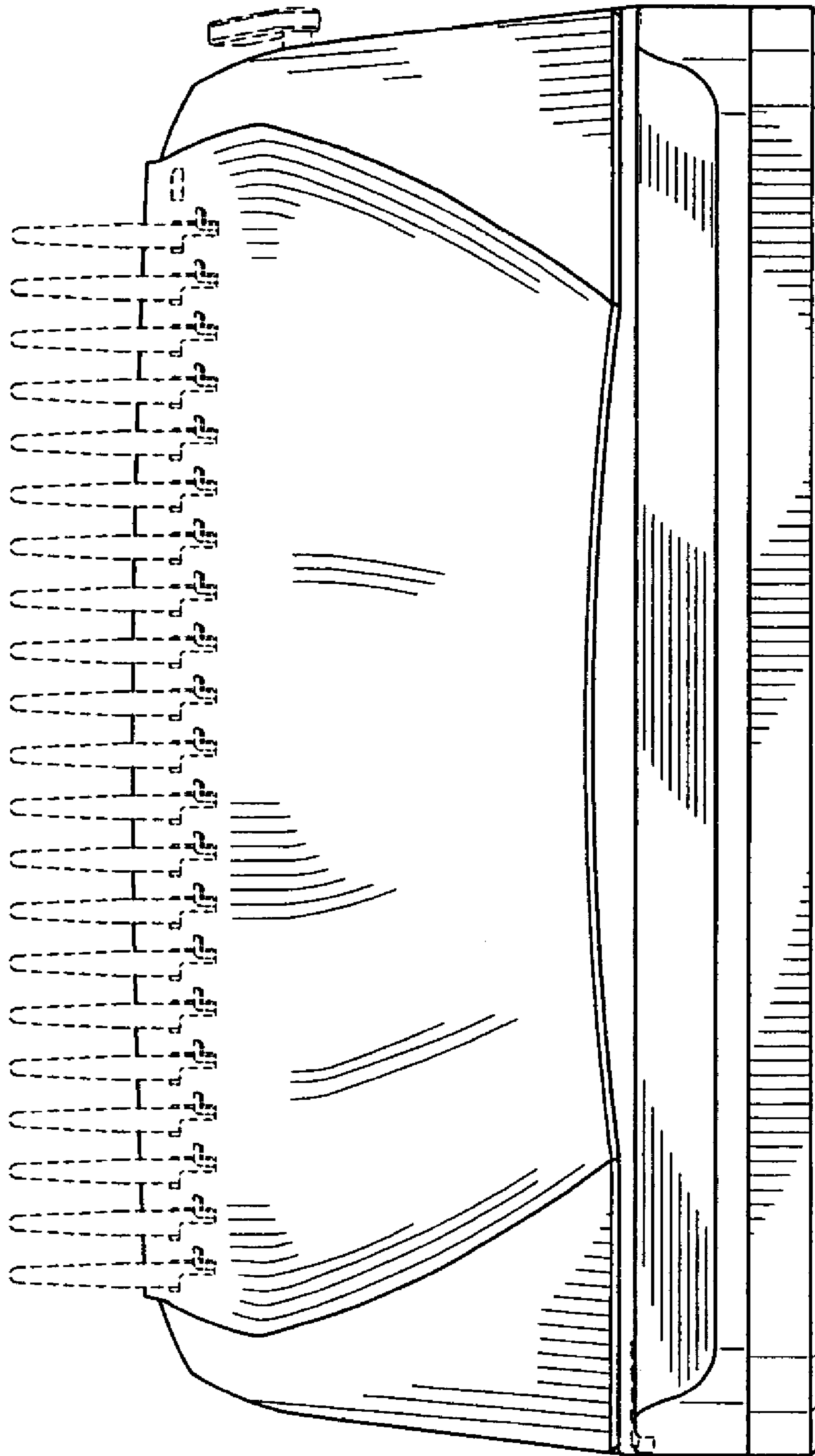


FIG. 14

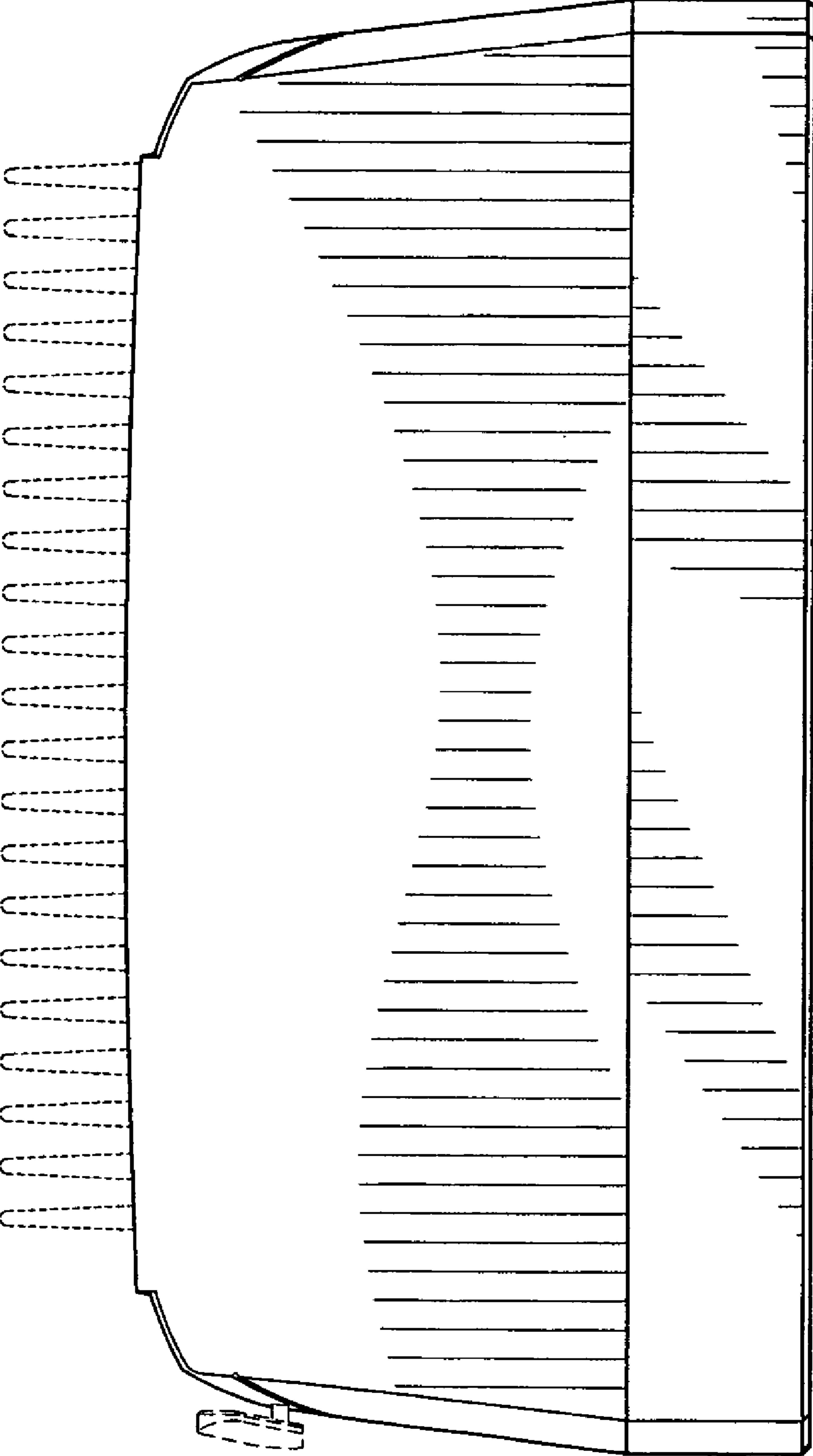


FIG. 15

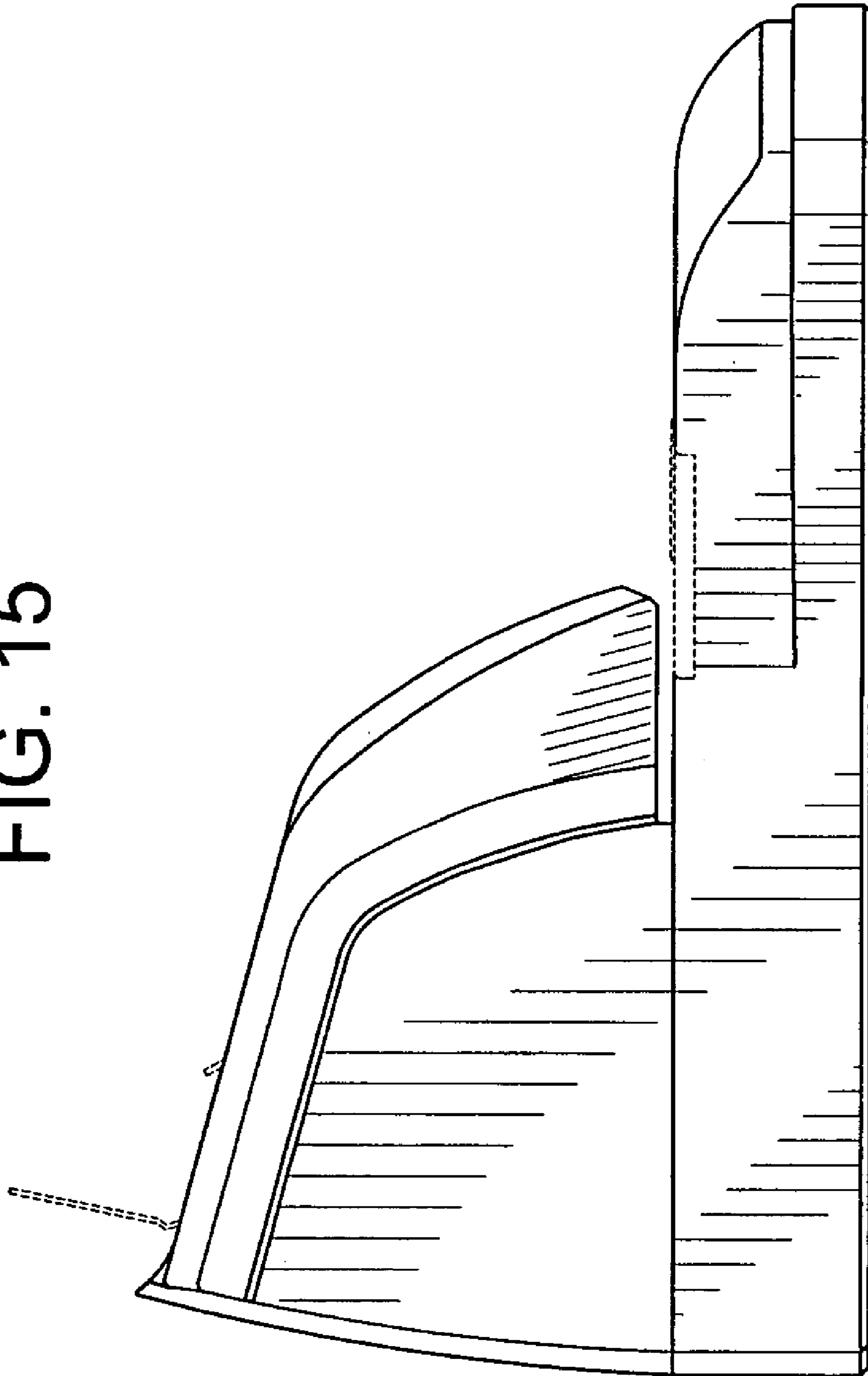


FIG. 16

