



US00D550748S

(12) **United States Design Patent**  
**Uchiyama**

(10) **Patent No.:** **US D550,748 S**

(45) **Date of Patent:** **\*\* Sep. 11, 2007**

(54) **VIDEO PROJECTOR**

(75) Inventor: **Katsuyoshi Uchiyama**, Kadoma (JP)

(73) Assignee: **Matsushita Electric Industrial Co., Ltd.**, Osaka (JP)

(\*\*) Term: **14 Years**

(21) Appl. No.: **29/269,285**

(22) Filed: **Nov. 28, 2006**

(30) **Foreign Application Priority Data**

Jun. 1, 2006 (JP) ..... 2006-014074

(51) **LOC (8) Cl.** ..... **16-02**

(52) **U.S. Cl.** ..... **D16/230; D16/225**

(58) **Field of Classification Search** ..... D16/205,  
D16/206, 208, 213, 221, 225, 230, 231, 234,  
D16/235, 232; D21/514; 353/115, 119,  
353/122, 39, 52; 352/34, 242; 349/5, 7,  
349/8, 9, 58; 348/373

See application file for complete search history.

(56) **References Cited**

**U.S. PATENT DOCUMENTS**

- D389,503 S \* 1/1998 Shimizu et al. .... D16/230
- D398,321 S \* 9/1998 Iida ..... D16/230
- D401,955 S 12/1998 Kawamoto et al.
- D402,679 S 12/1998 Kawamoto et al.
- D418,532 S 1/2000 Kuramoto et al.
- D421,037 S 2/2000 Kawamoto et al.
- D425,097 S 5/2000 Kuramoto
- D438,555 S \* 3/2001 Shiota ..... D16/231
- D439,923 S 4/2001 Kawamoto
- 6,322,217 B1 \* 11/2001 Fujimori et al. .... 353/119
- D454,360 S \* 3/2002 Shimizu et al. .... D16/230
- D454,903 S 3/2002 Kawamoto et al.

- 6,505,941 B2 \* 1/2003 Nakano ..... 353/119
- D476,353 S 6/2003 Morishita et al.
- D480,410 S 10/2003 Morishita et al.
- D482,381 S 11/2003 Morishita et al.
- D482,716 S 11/2003 Azuma et al.
- D489,391 S 5/2004 Morishita et al.
- D491,973 S 6/2004 Morishita et al.
- D492,714 S 7/2004 Morishita et al.
- D498,781 S 11/2004 Azuma et al.
- D527,408 S 8/2006 Azuma
- D531,201 S \* 10/2006 Azuma ..... D16/230

**FOREIGN PATENT DOCUMENTS**

- JP 1173326 3/2003
- JP 1235681 2/2005

\* cited by examiner

*Primary Examiner*—Adir Aronovich

*Assistant Examiner*—Wan Laymon

(74) *Attorney, Agent, or Firm*—Brinks Hofer Gilson & Lione

(57) **CLAIM**

I claim the ornamental design for a video projector, as shown and described.

**DESCRIPTION**

FIG. 1 is a front, top and left side perspective view of a video projector of the present invention;

FIG. 2 is a front view thereof;

FIG. 3 is a right side view thereof;

FIG. 4 is a left side view thereof;

FIG. 5 is a top view thereof;

FIG. 6 is a bottom view thereof; and,

FIG. 7 is a rear view thereof.

**1 Claim, 4 Drawing Sheets**

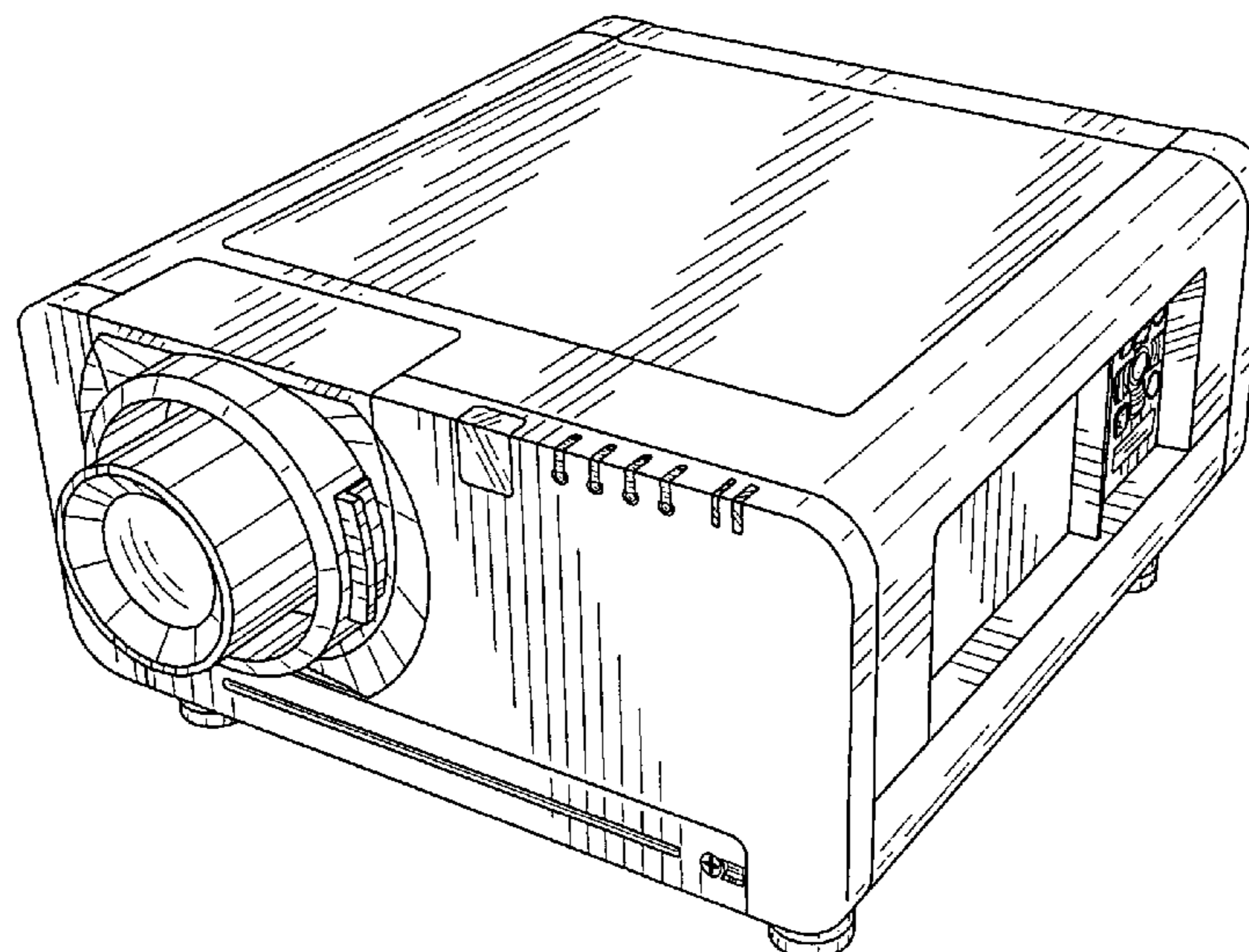


FIG. 1

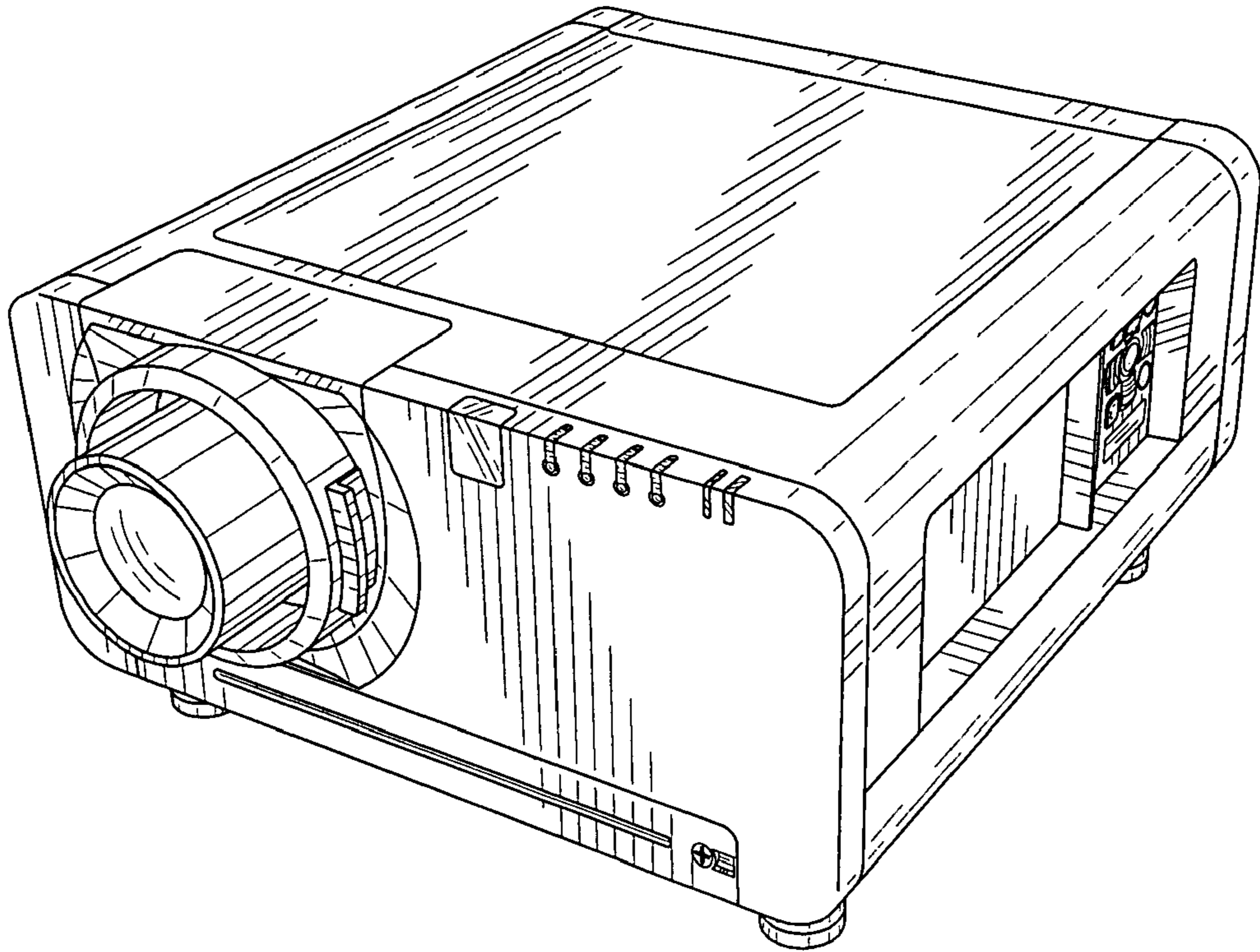


FIG. 2

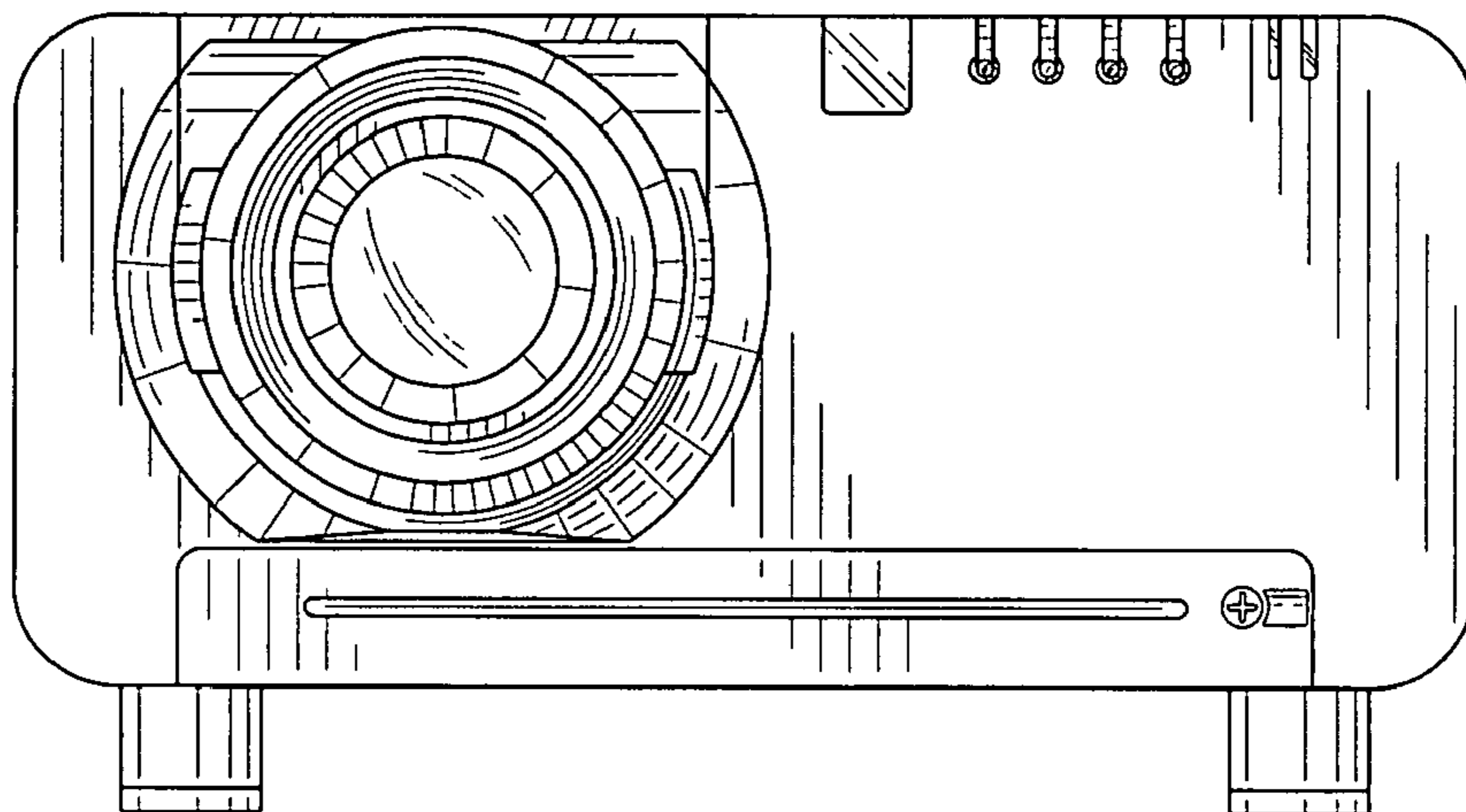


FIG.3

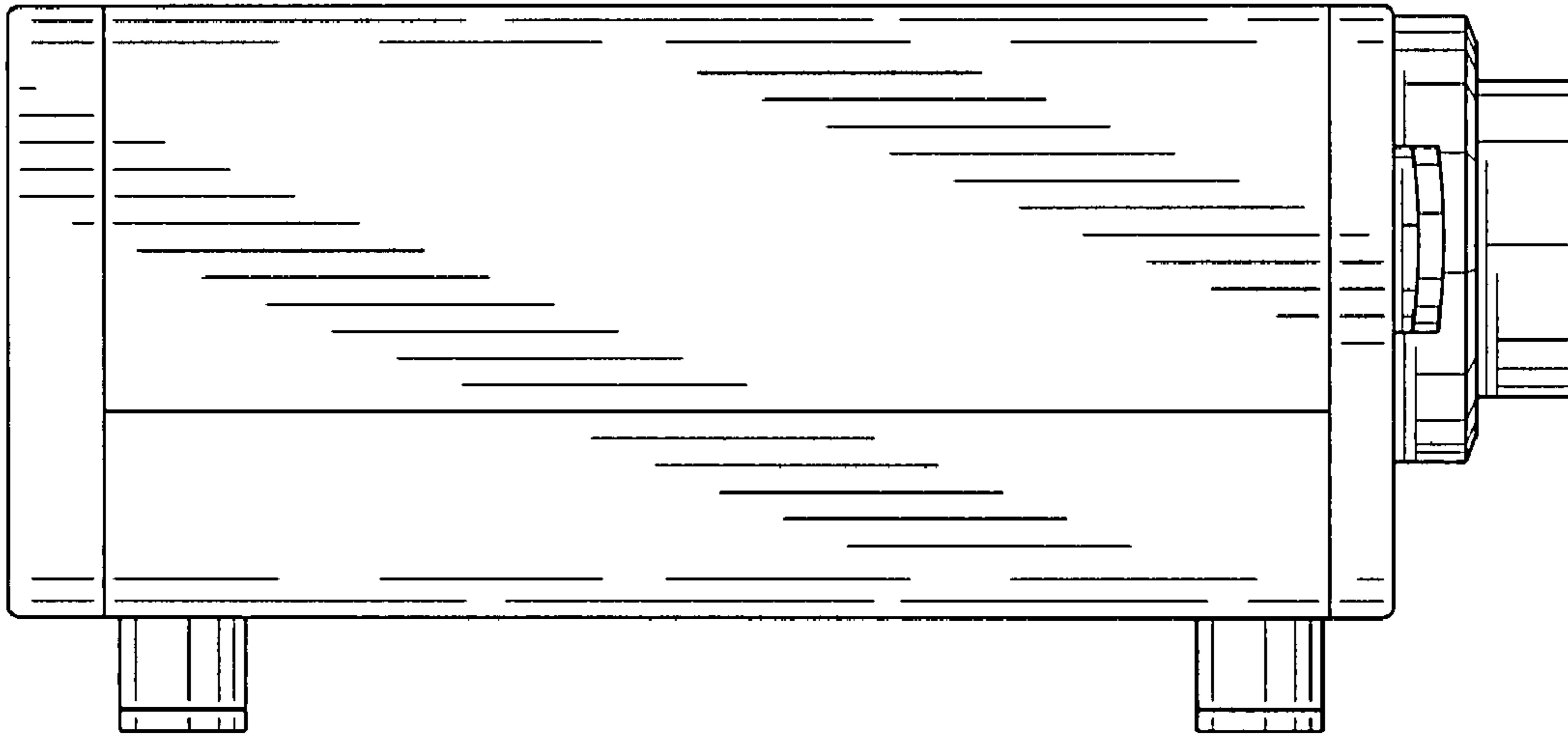
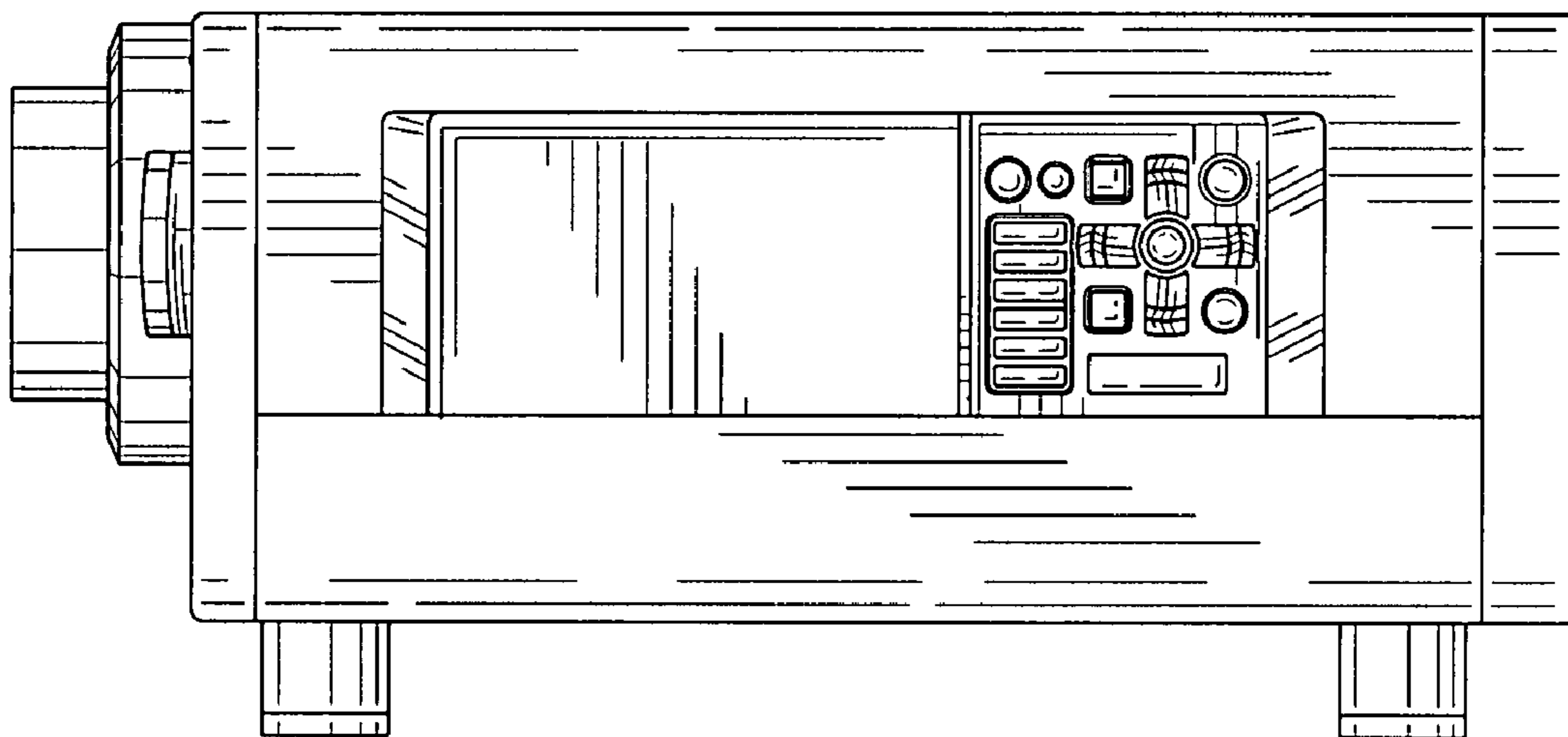


FIG.4



*FIG.5*

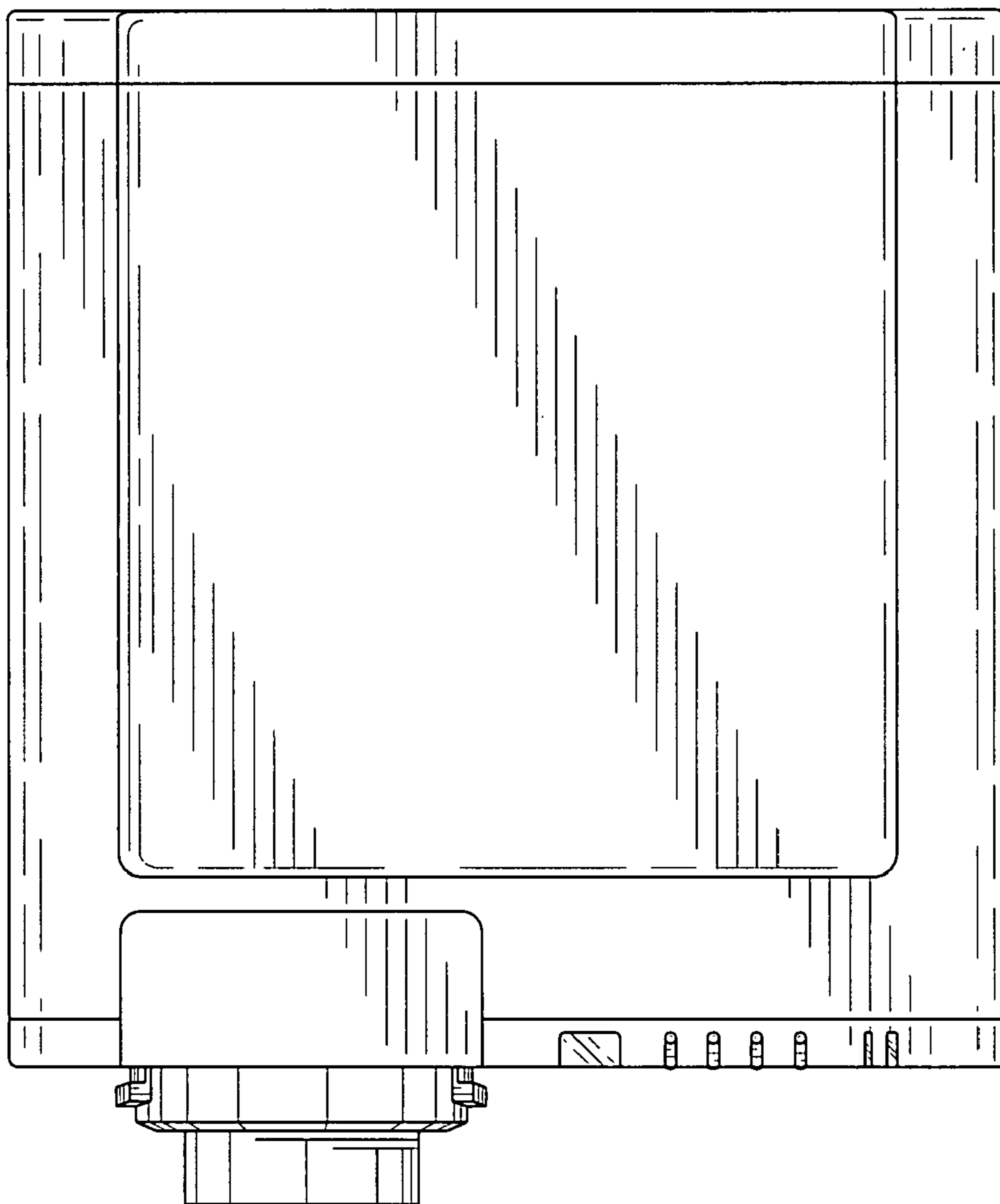


FIG.6

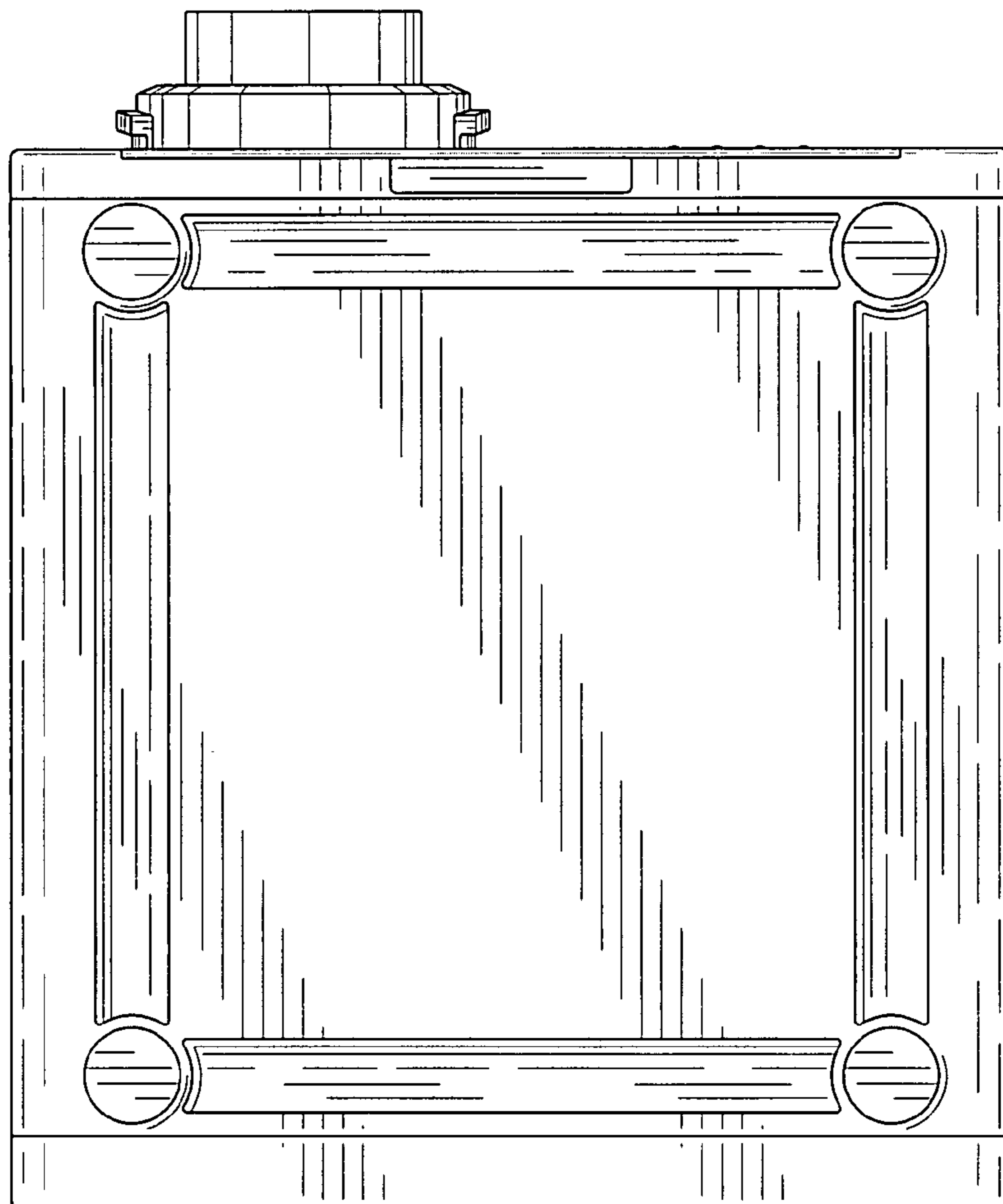


FIG.7

