



US00D550747S

(12) **United States Design Patent**
Sassano

(10) **Patent No.:** **US D550,747 S**

(45) **Date of Patent:** **** Sep. 11, 2007**

(54) **COMBINED PROJECTOR AND RECEIVING DEVICE**

(75) Inventor: **Camillo Sassano**, Durham, NC (US)

(73) Assignee: **International Business Machines Corporation**, Armonk, NY (US)

(**) Term: **14 Years**

(21) Appl. No.: **29/224,520**

(22) Filed: **Mar. 3, 2005**

(51) **LOC (8) Cl.** **16-02**

(52) **U.S. Cl.** **D16/221; D16/225; D16/230; D16/235**

(58) **Field of Classification Search** D16/205, D16/208, 213, 217, 231, 234, 230, 225, 221, D16/214, 229, 232, 235; D21/514; 345/419, 345/619; 248/373, 207.99; 353/115, 119, 353/122, 42, 46, 98, 28, 121
See application file for complete search history.

(56) **References Cited**

U.S. PATENT DOCUMENTS

2,847,904	A *	8/1958	Nosco	353/119
D234,864	S *	4/1975	Hoeweler et al.	D21/514
5,278,596	A *	1/1994	Machtig	353/122
6,431,711	B1	8/2002	Pinhanez		
6,575,581	B2 *	6/2003	Tsurushima	353/121
2002/0113946	A1 *	8/2002	Kitaguchi et al.	353/28

OTHER PUBLICATIONS

U.S. Appl. No. 10/735,053, entitled "System and Method for Positioning Projectors in Space to Steer Projections and Afford Interaction," filed Dec. 12, 2003 by Anthony Levas et al.

U.S. Appl. No. 10/957,123, entitled "Flexible Interaction-Based Computer Interfacing Using Visible Artifacts," filed Oct. 1, 2004 by Frederick Kjeldsen et al.

U.S. Appl. No. 60/644,395, entitled "Method and Apparatus for Steerable Interactive System," filed Jan. 15, 2005 by Sergio Borger et al.

* cited by examiner

Primary Examiner—Ian Simmons

Assistant Examiner—W. Laymon

(74) *Attorney, Agent, or Firm*—James R. Nock

(57) **CLAIM**

The ornamental design for a combined projector and receiving device, as shown and described.

DESCRIPTION

FIG. 1 is a front, right perspective view of a combined projector and receiving device in a closed configuration, showing my new design;

FIG. 2 is a front, right perspective view in an open configuration thereof;

FIG. 3 is a front view in a closed configuration thereof;

FIG. 4 is a front view in an open configuration thereof;

FIG. 5 is a front view in a reverse position thereof;

FIG. 6 is a right view in a closed configuration thereof;

FIG. 7 is a right view in an open configuration thereof;

FIG. 8 is a left view in a closed configuration thereof;

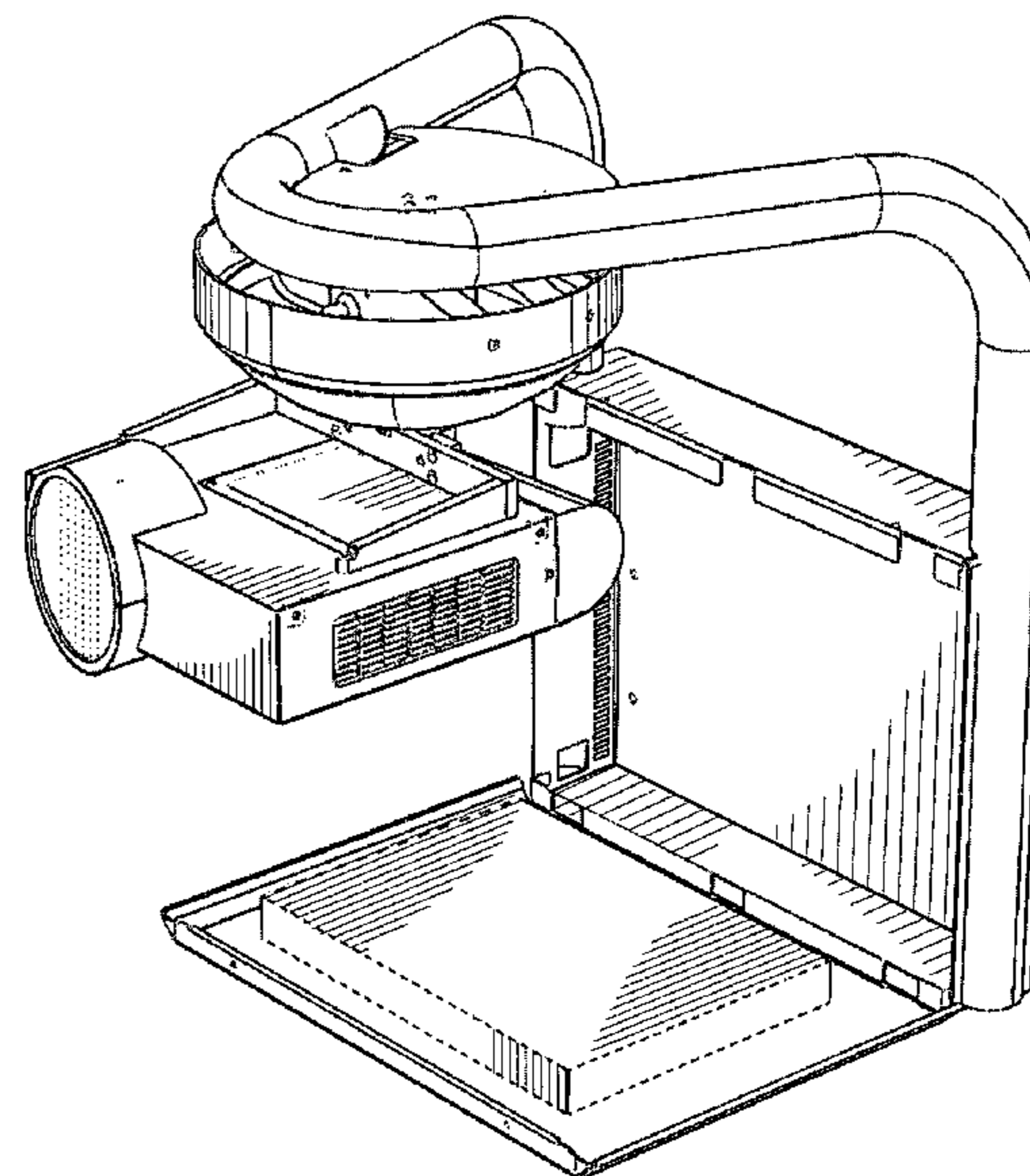
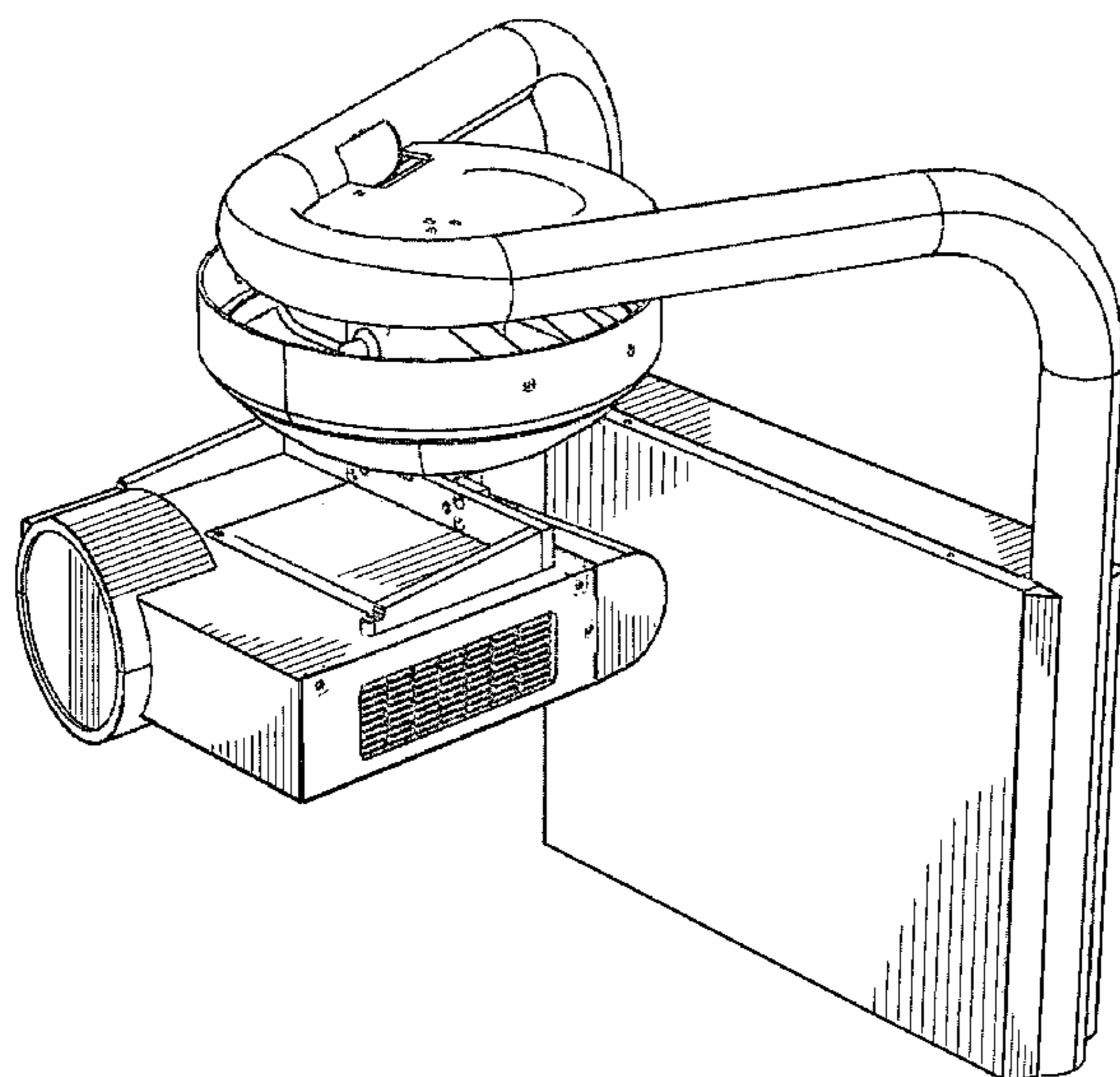
FIG. 9 is a top view thereof;

FIG. 10 is a bottom view thereof; and,

FIG. 11 is a back view thereof.

The portions of the combined projector and receiving device in broken lines are shown for illustrative purposes only and form no part of the claimed design.

1 Claim, 11 Drawing Sheets



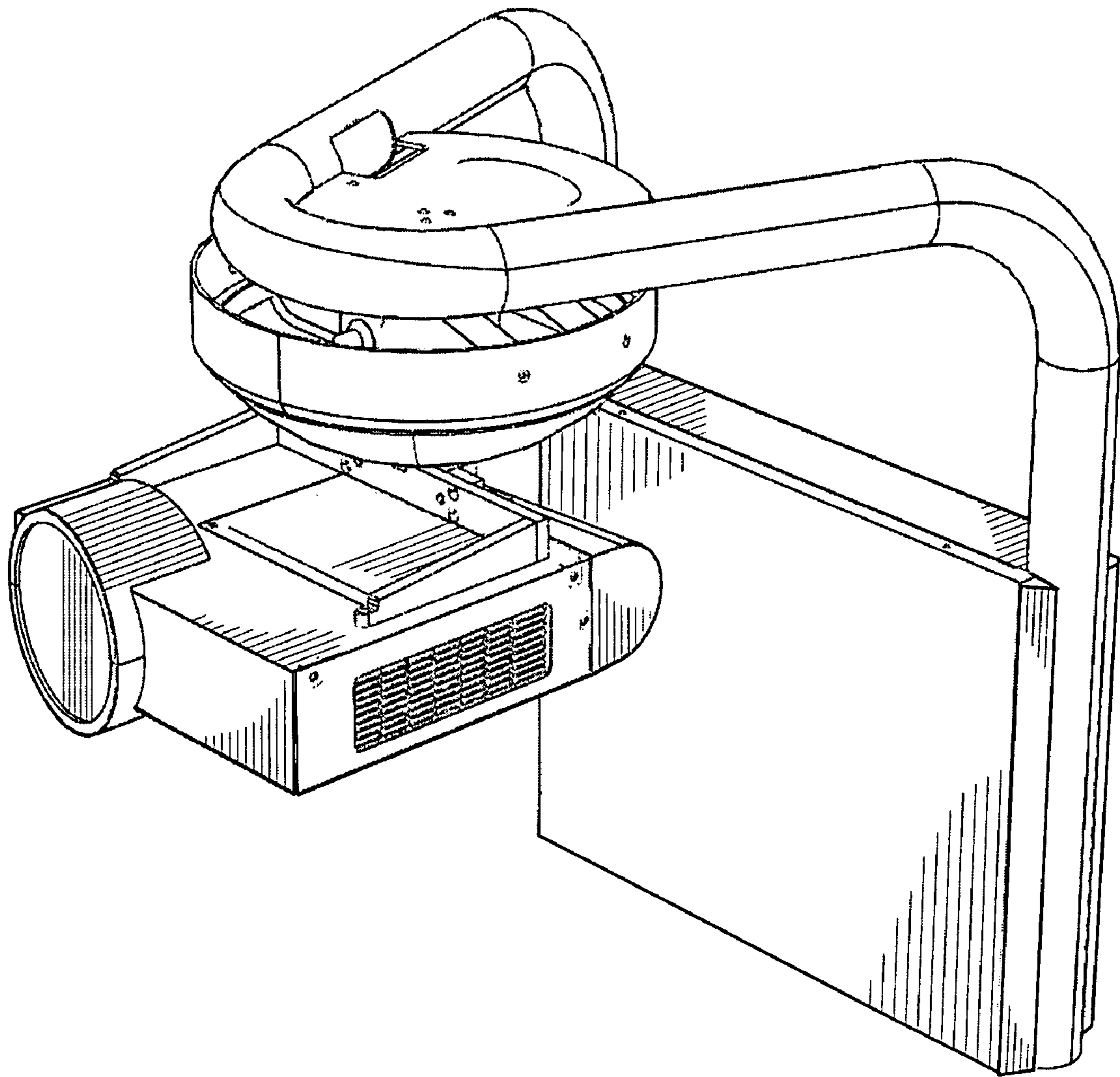


FIGURE 1

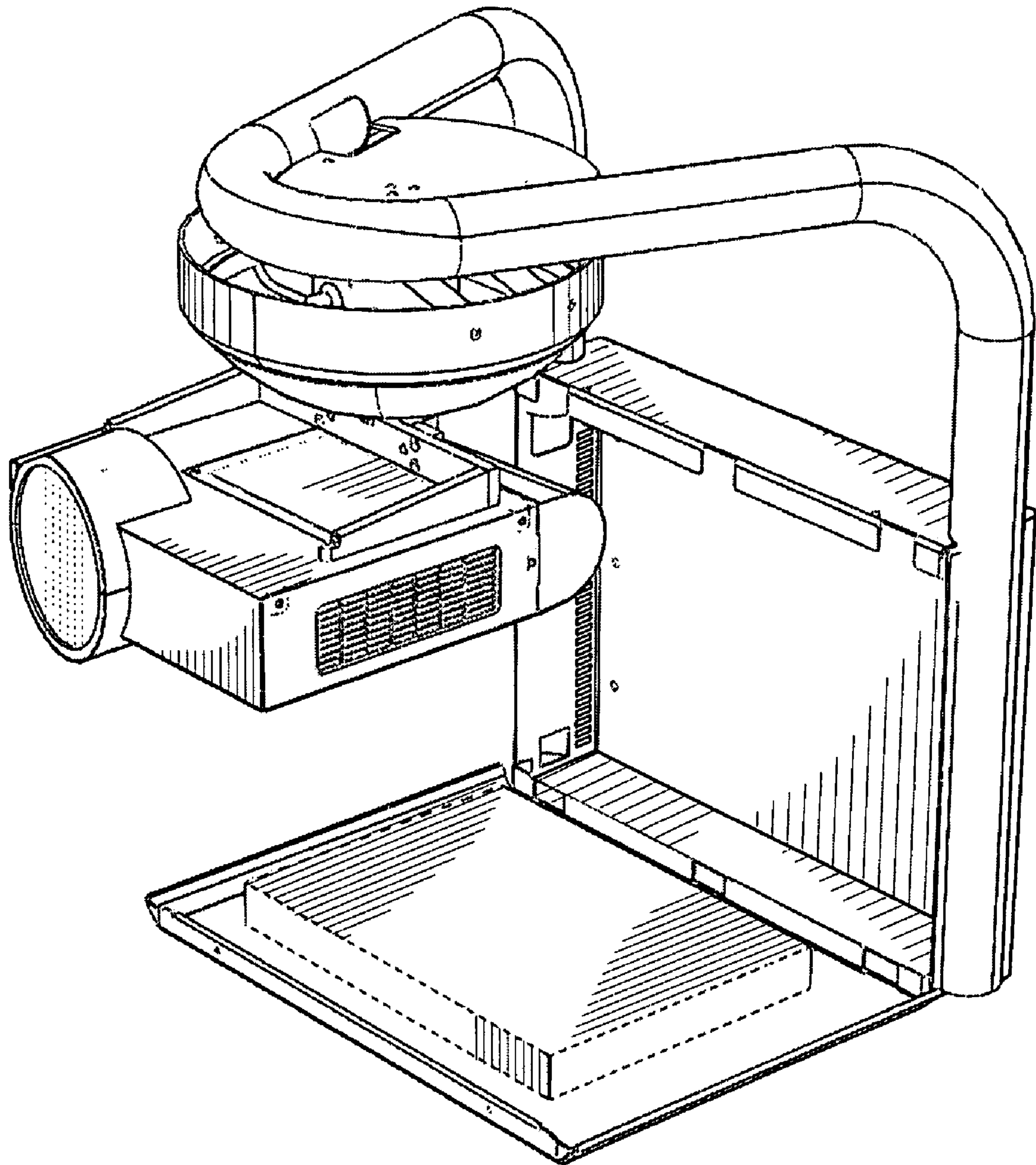


FIGURE 2

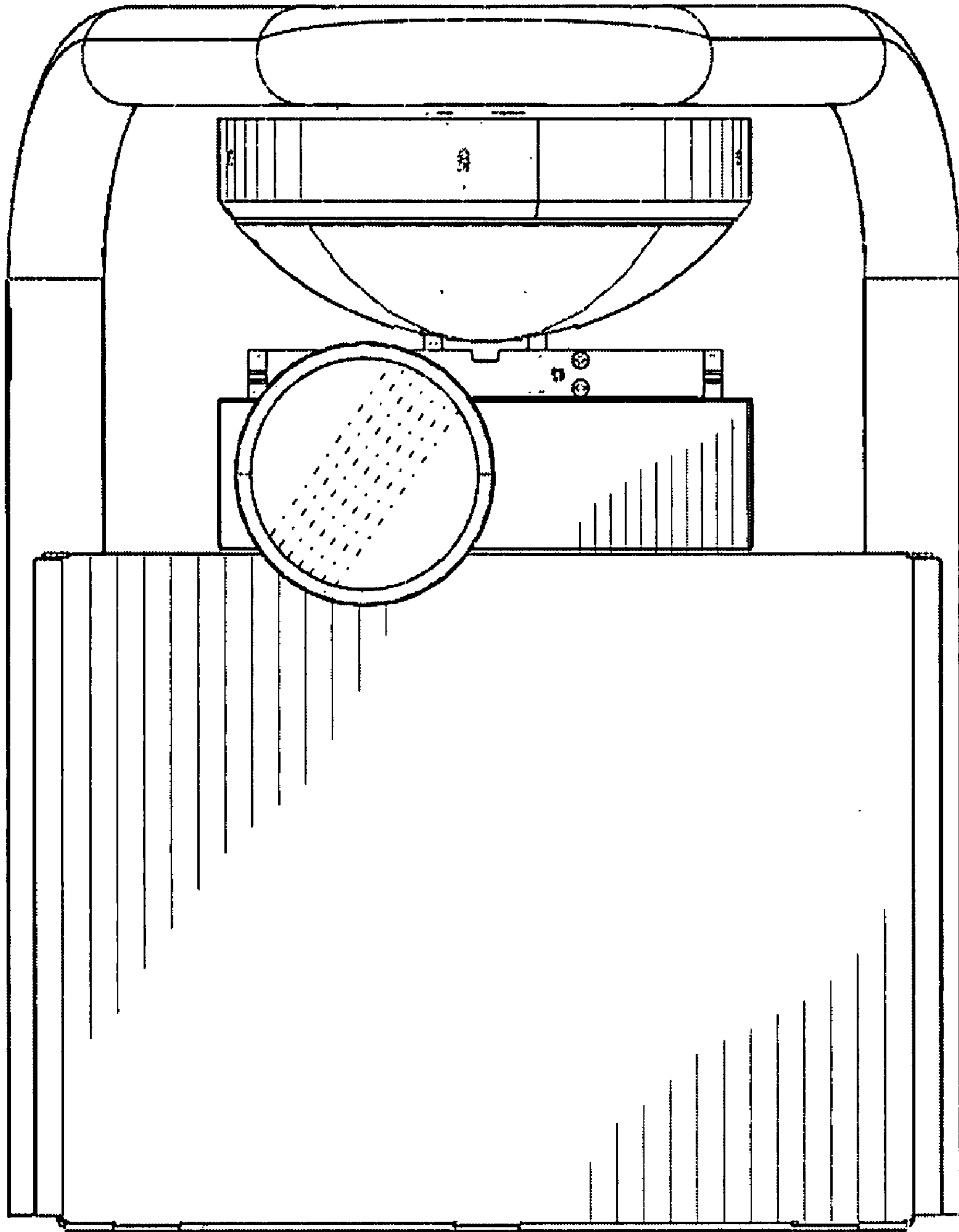


FIGURE 3

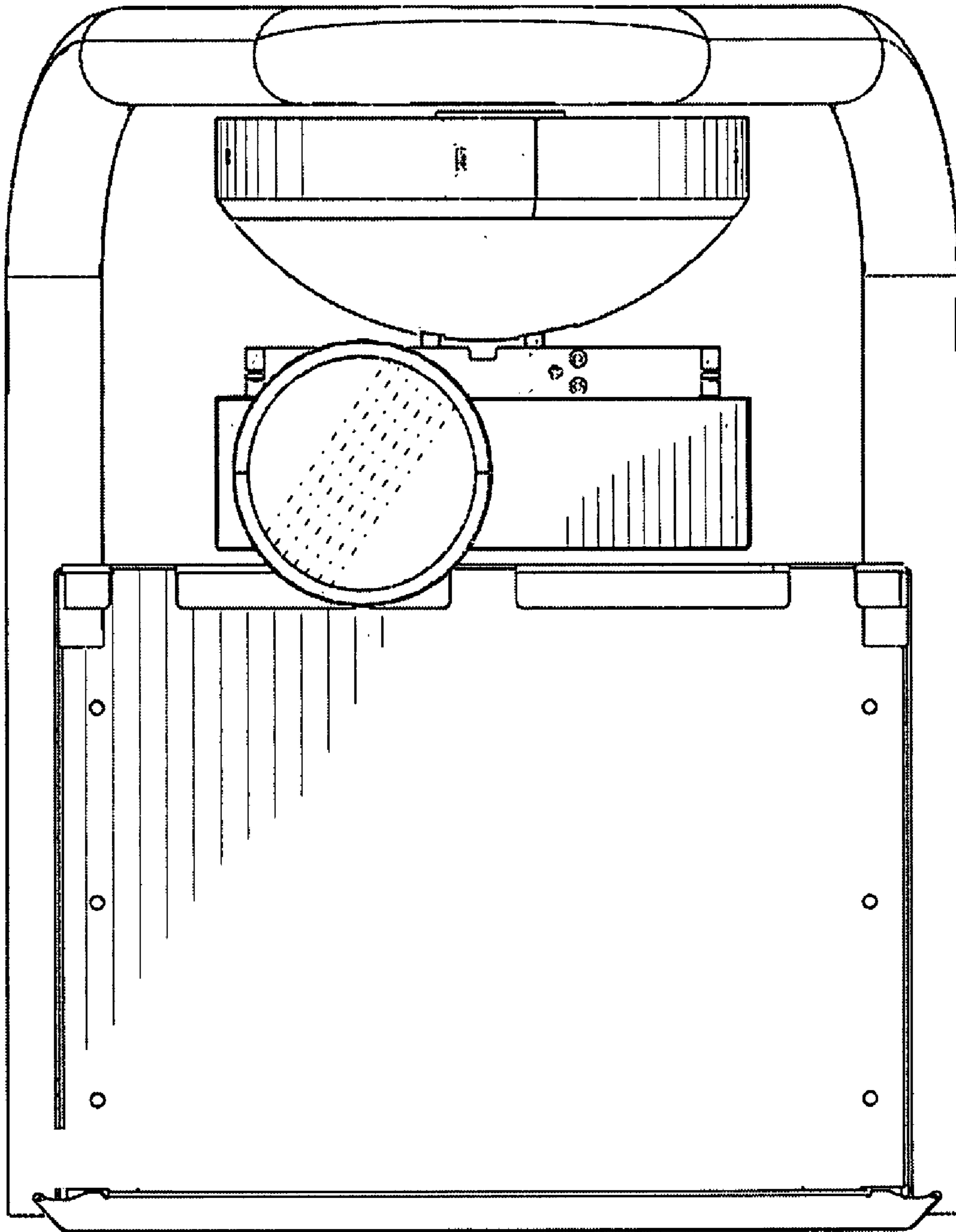


FIGURE 4

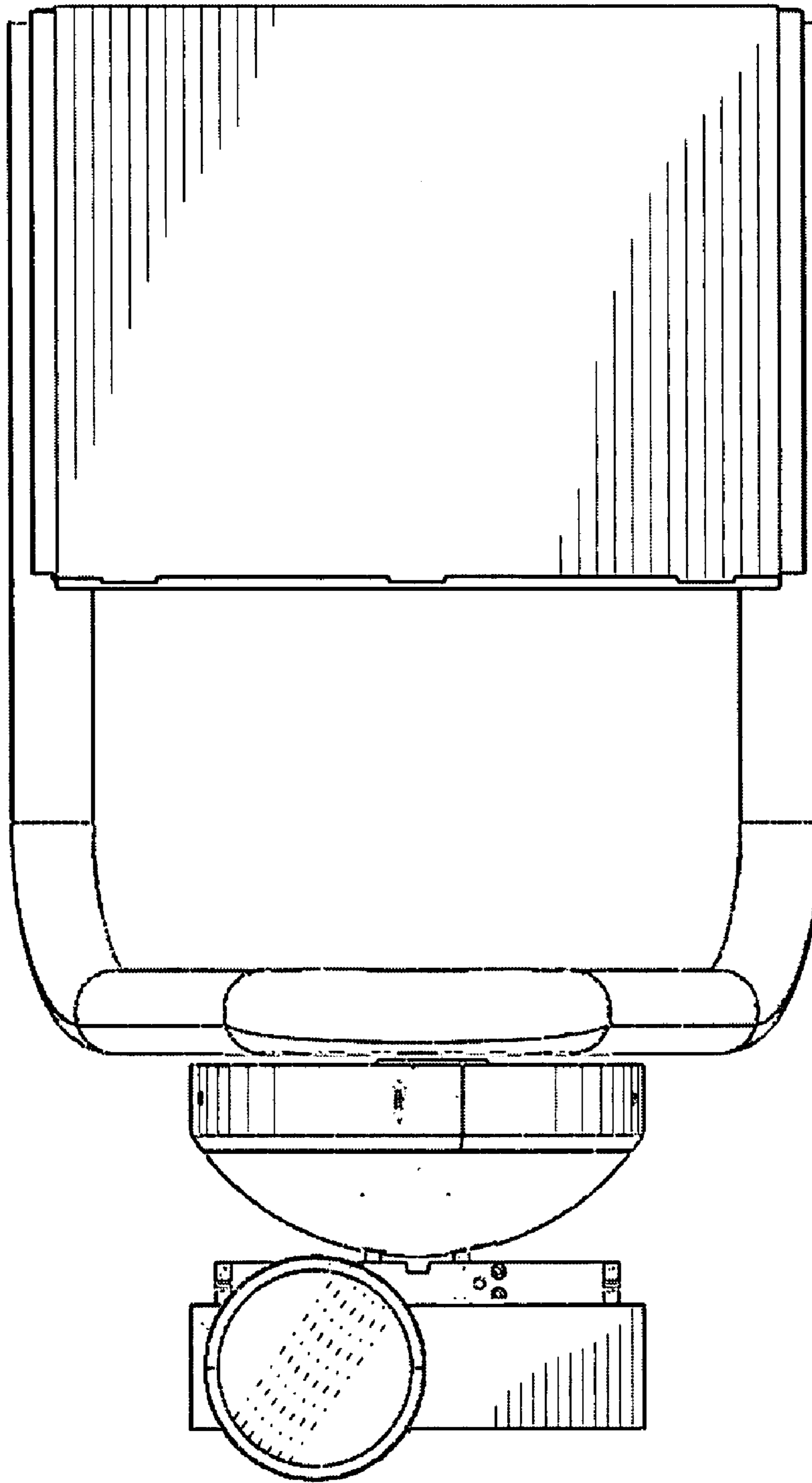


FIGURE 5

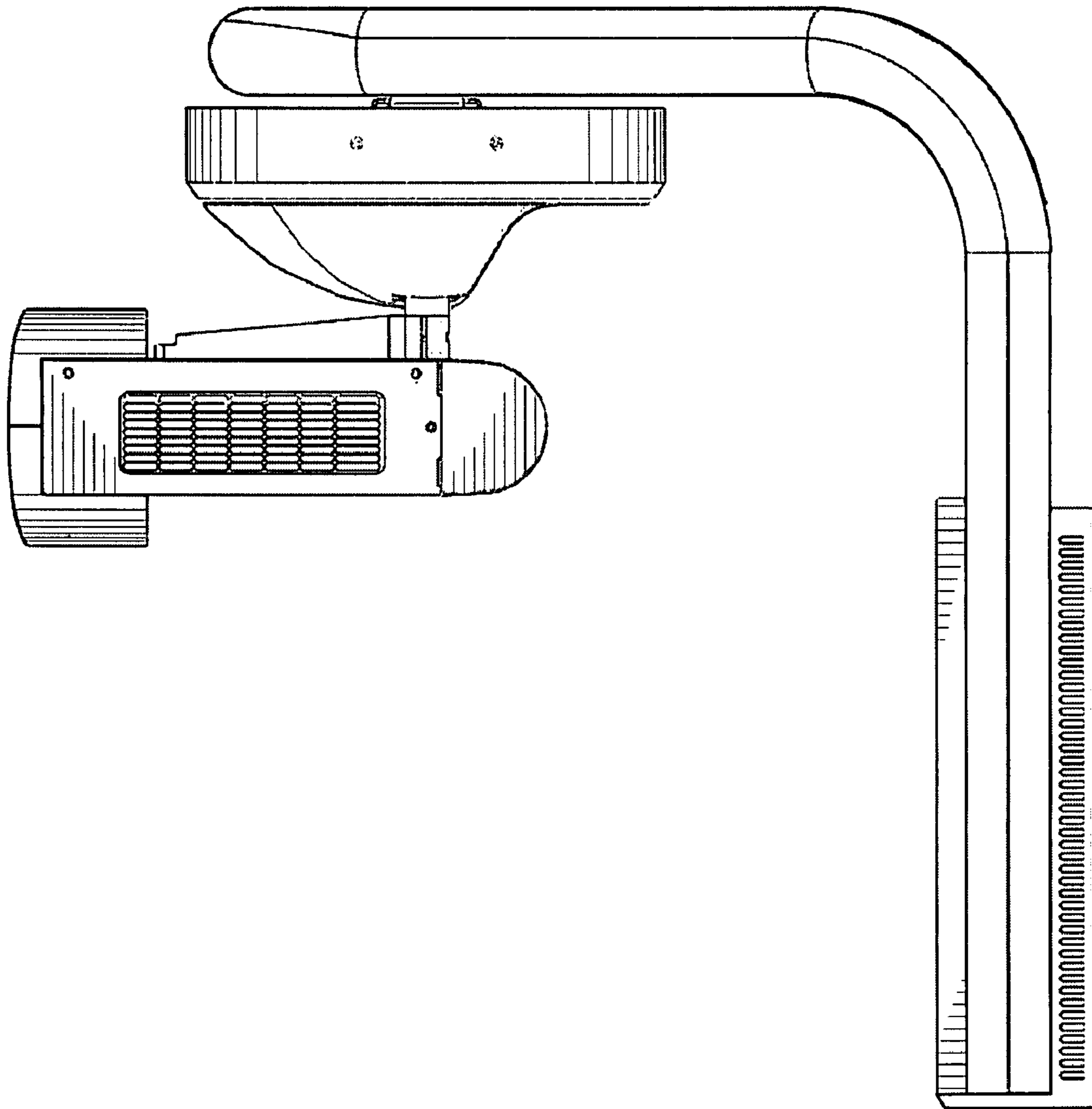


FIGURE 6

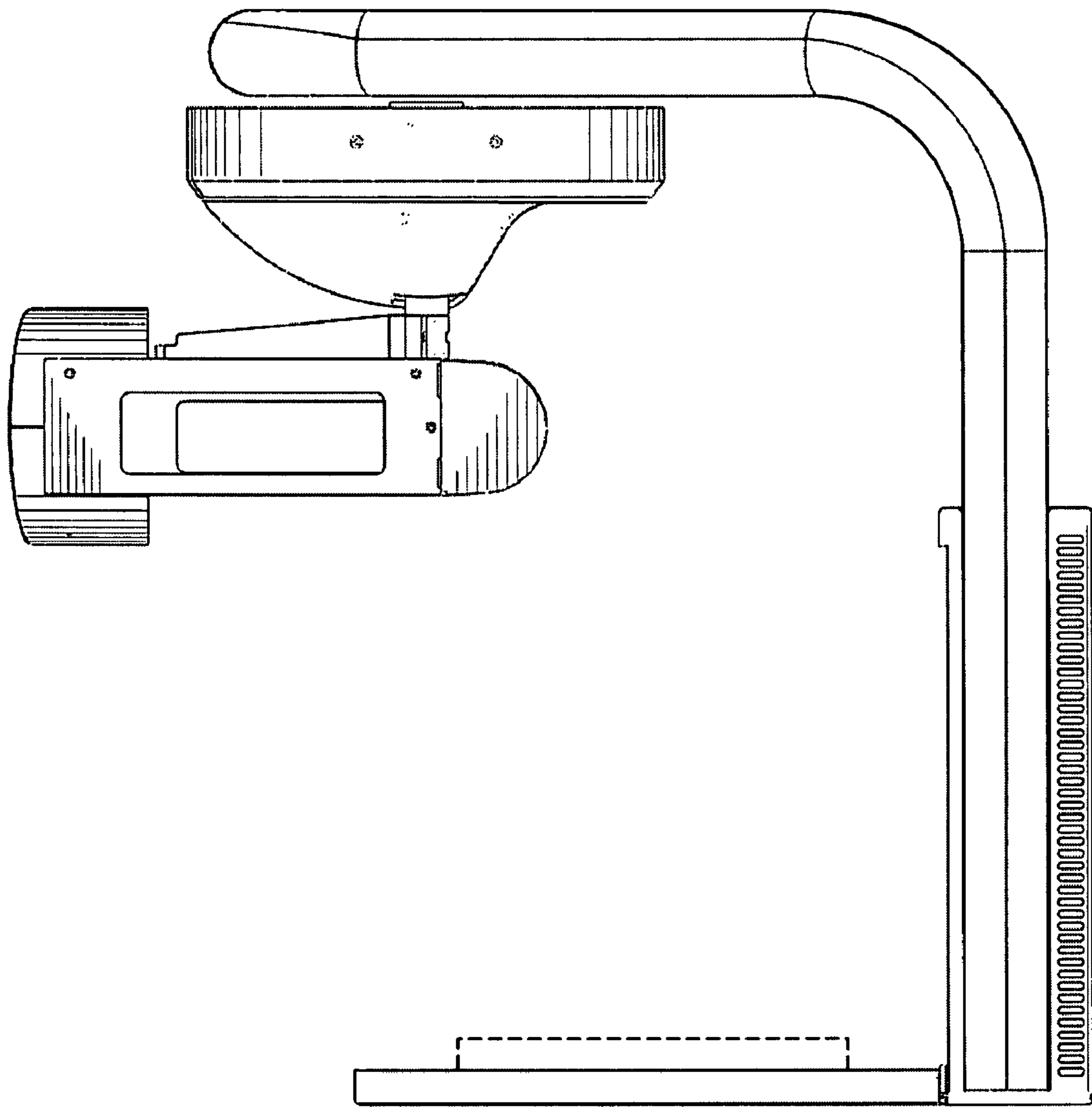


FIGURE 7

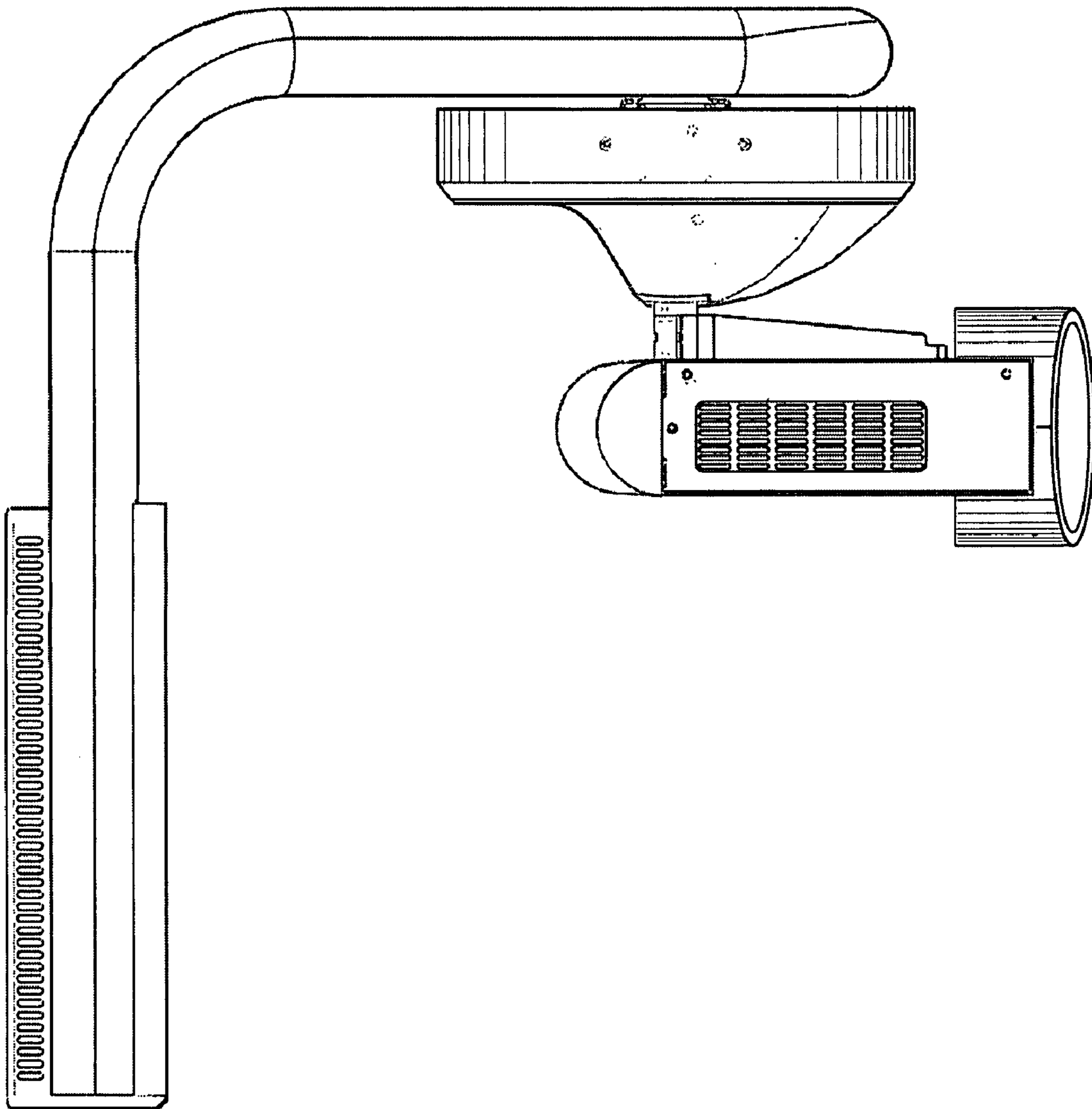


FIGURE 8

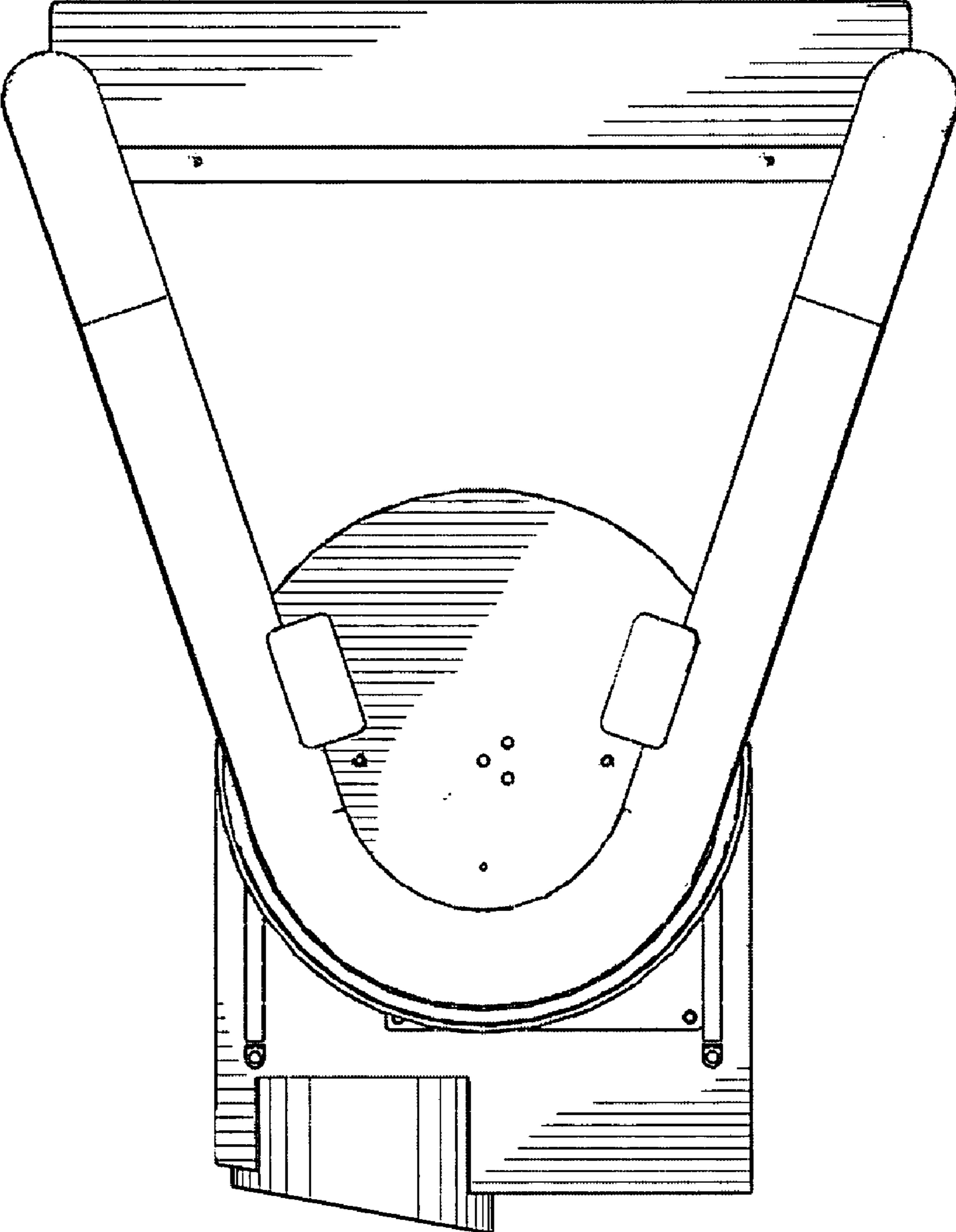


FIGURE 9

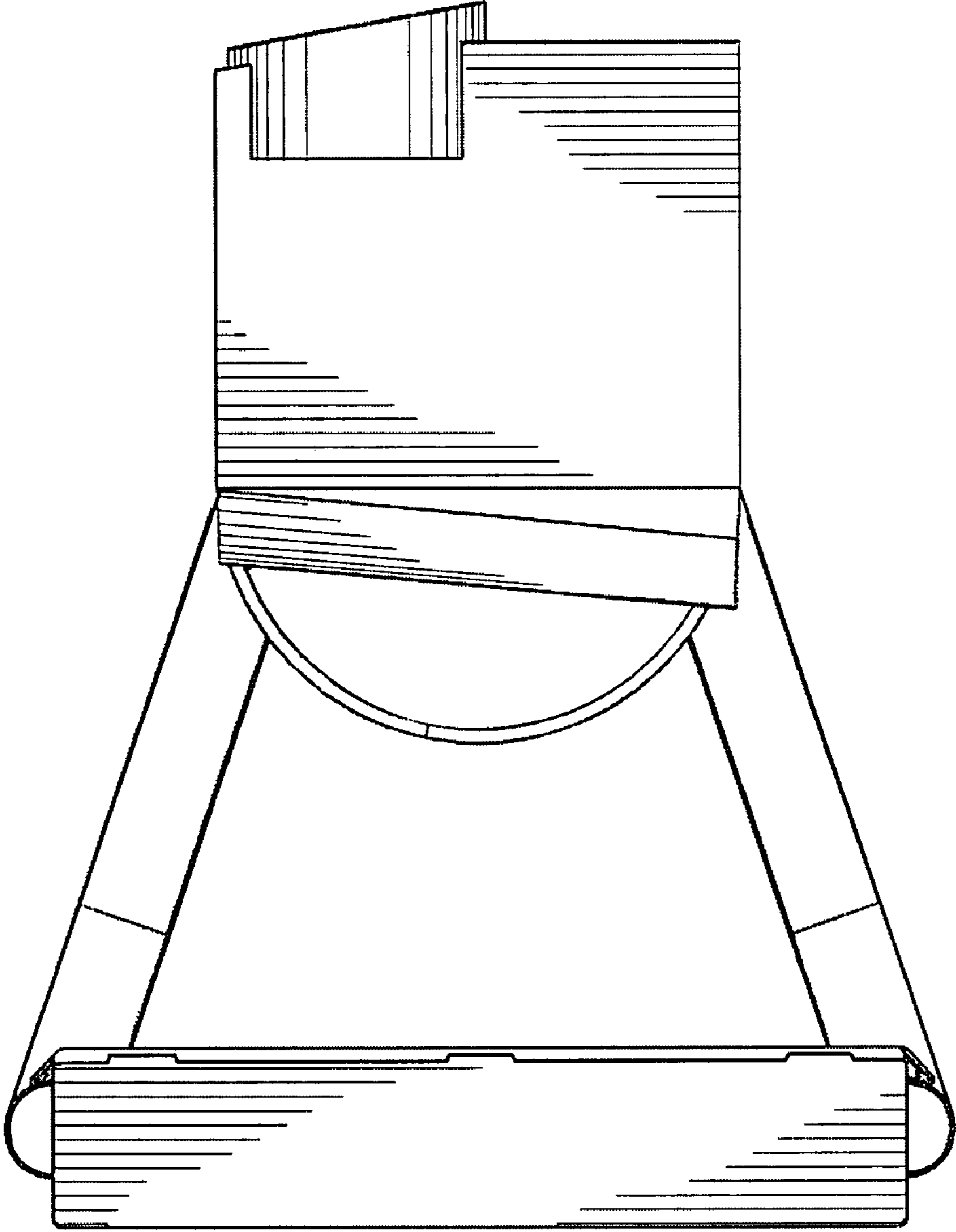


FIGURE 10

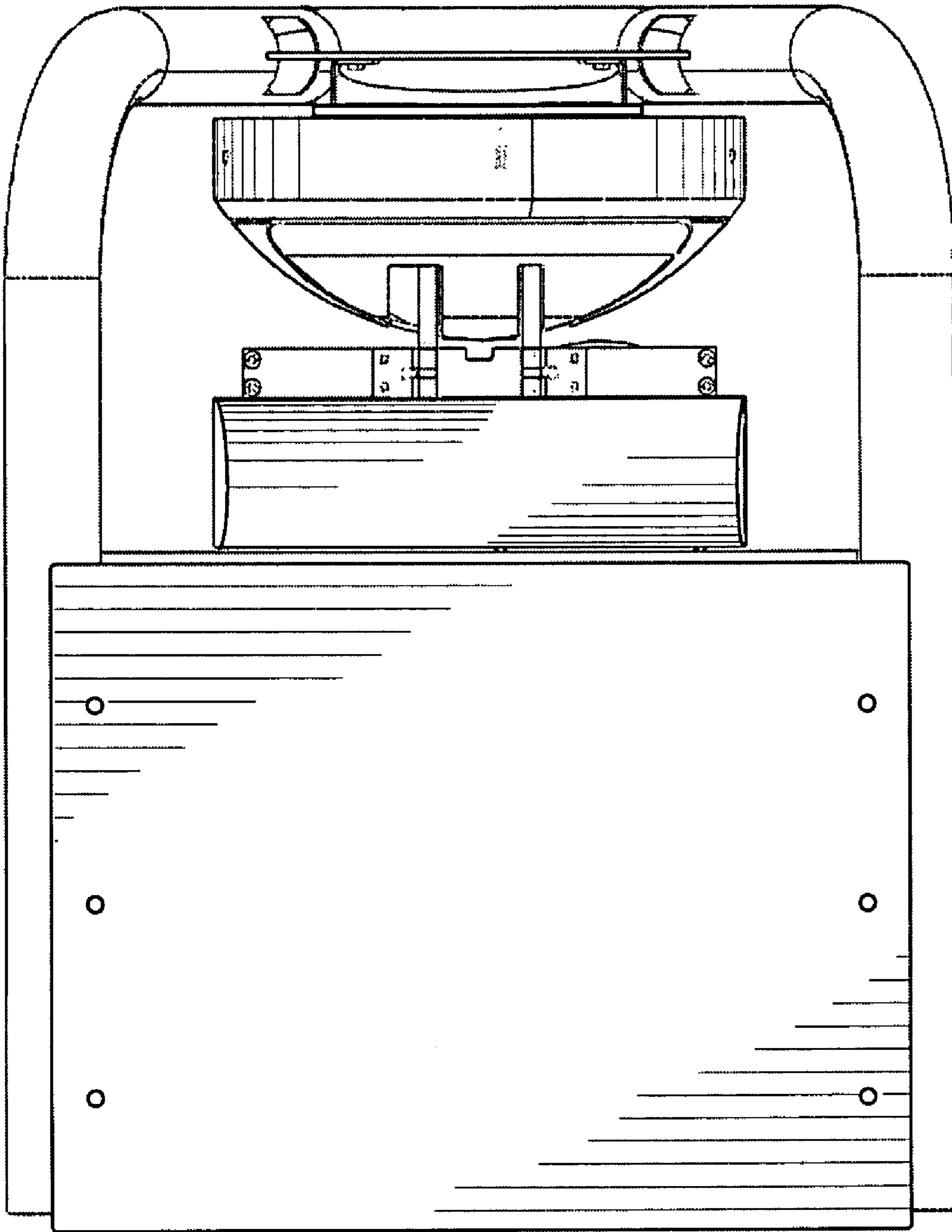


FIGURE 11