



US00D550746S

(12) **United States Design Patent** (10) **Patent No.:** **US D550,746 S**
Inaba (45) **Date of Patent:** **** Sep. 11, 2007**

(54) **DIGITAL CAMERA**

(75) Inventor: **Toshiya Inaba**, Tokyo (JP)

(73) Assignee: **PENTAX Corporation**, Tokyo (JP)

(**) Term: **14 Years**

(21) Appl. No.: **29/254,332**

(22) Filed: **Feb. 23, 2006**

(30) **Foreign Application Priority Data**

Aug. 25, 2005 (JP) 2005-024548

(51) **LOC (8) Cl.** **16-05**

(52) **U.S. Cl.** **D16/219; D16/202**

(58) **Field of Classification Search** D16/200–206,
D16/208–209, 218–219, 243; 348/373–376;
358/906, 909.1; 396/6, 535–541
See application file for complete search history.

(56) **References Cited**

U.S. PATENT DOCUMENTS

D359,747 S *	6/1995	Furuno et al.	D16/209
D430,186 S *	8/2000	Suzuki et al.	D16/218
D495,351 S *	8/2004	Yi	D16/202
D503,946 S *	4/2005	Chao et al.	D16/202
D505,967 S *	6/2005	Ko et al.	D16/218
D508,711 S *	8/2005	Suzuki	D16/218

OTHER PUBLICATIONS

Kind of telephone communication line: Internet; Confirmed date of publication: Jun. 25, 2004; Date of receipt: Jul. 9, 2004 received by Design department of Patent Office; Publisher: Fuji Film corpora-

tion; Title: Digital camera “FinePix F440”, “FinePix F450” news release; Address of the published page: Digital still camera shown in the URL http://www.fujifilm.co.jp/news_r/nrj1225.html; Document number of trademark and design section in JP Patent Office is HJ16001778.

* cited by examiner

Primary Examiner—Charles A. Rademaker

Assistant Examiner—Wan Laymon

(74) *Attorney, Agent, or Firm*—Sughrue Mion, PLLC

(57) **CLAIM**

The ornamental design for a digital camera, as shown and described.

DESCRIPTION

FIG. 1 is a perspective view of the top, front and right side of a digital camera showing my new design;

FIG. 2 is a perspective view of the top, rear and left side thereof;

FIG. 3 is a top plan view thereof;

FIG. 4 is a front elevational view thereof;

FIG. 5 is a left side elevational view thereof;

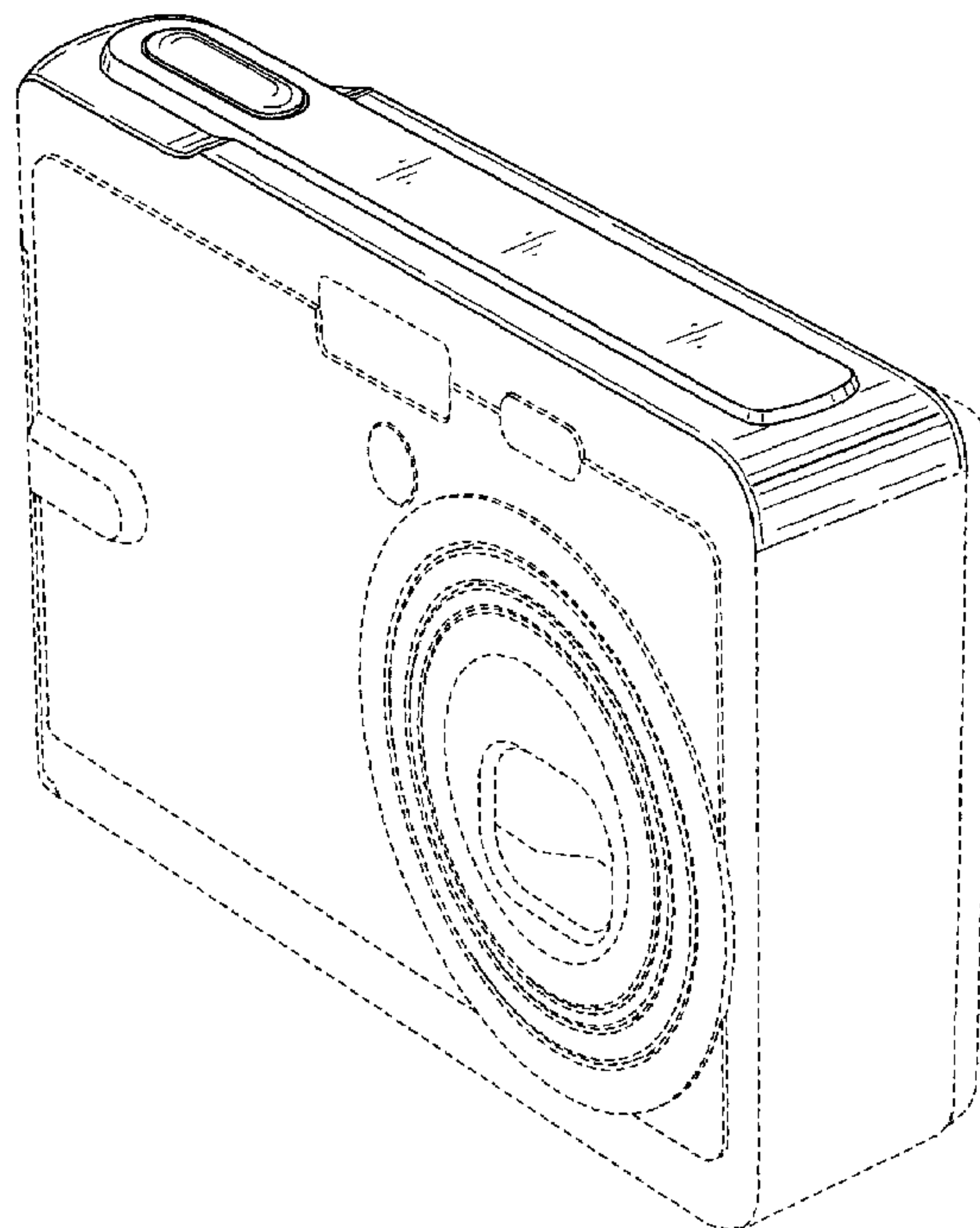
FIG. 6 is a right side elevational view thereof;

FIG. 7 is a rear elevational view thereof; and,

FIG. 8 is a bottom plan view thereof.

The elements shown in broken lines are for illustrative purposes only and form no part of the claimed design. Also, the dot-dash broken lines define the boundaries of the claimed portion and the non-claimed portion.

1 Claim, 5 Drawing Sheets



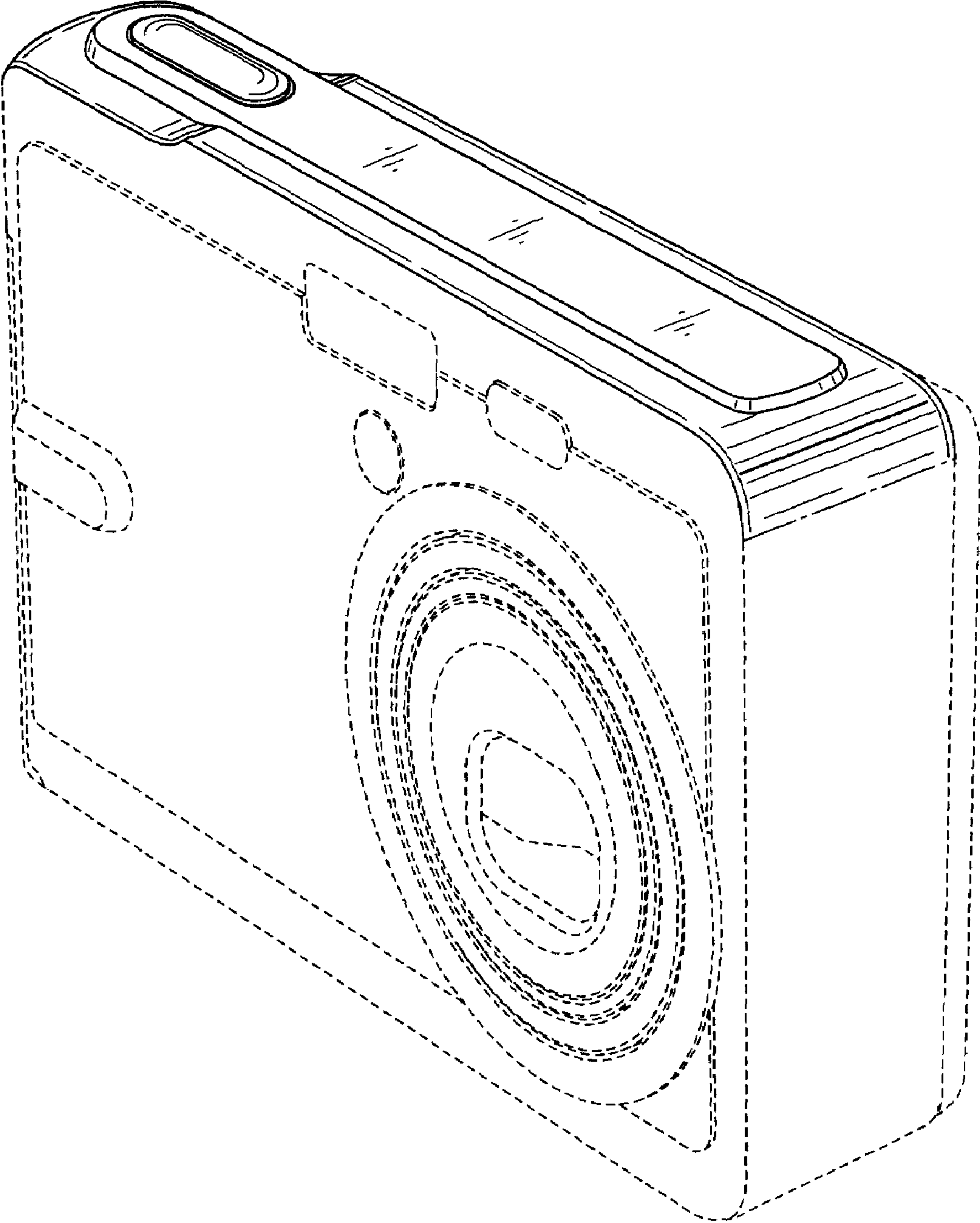


FIG. 1

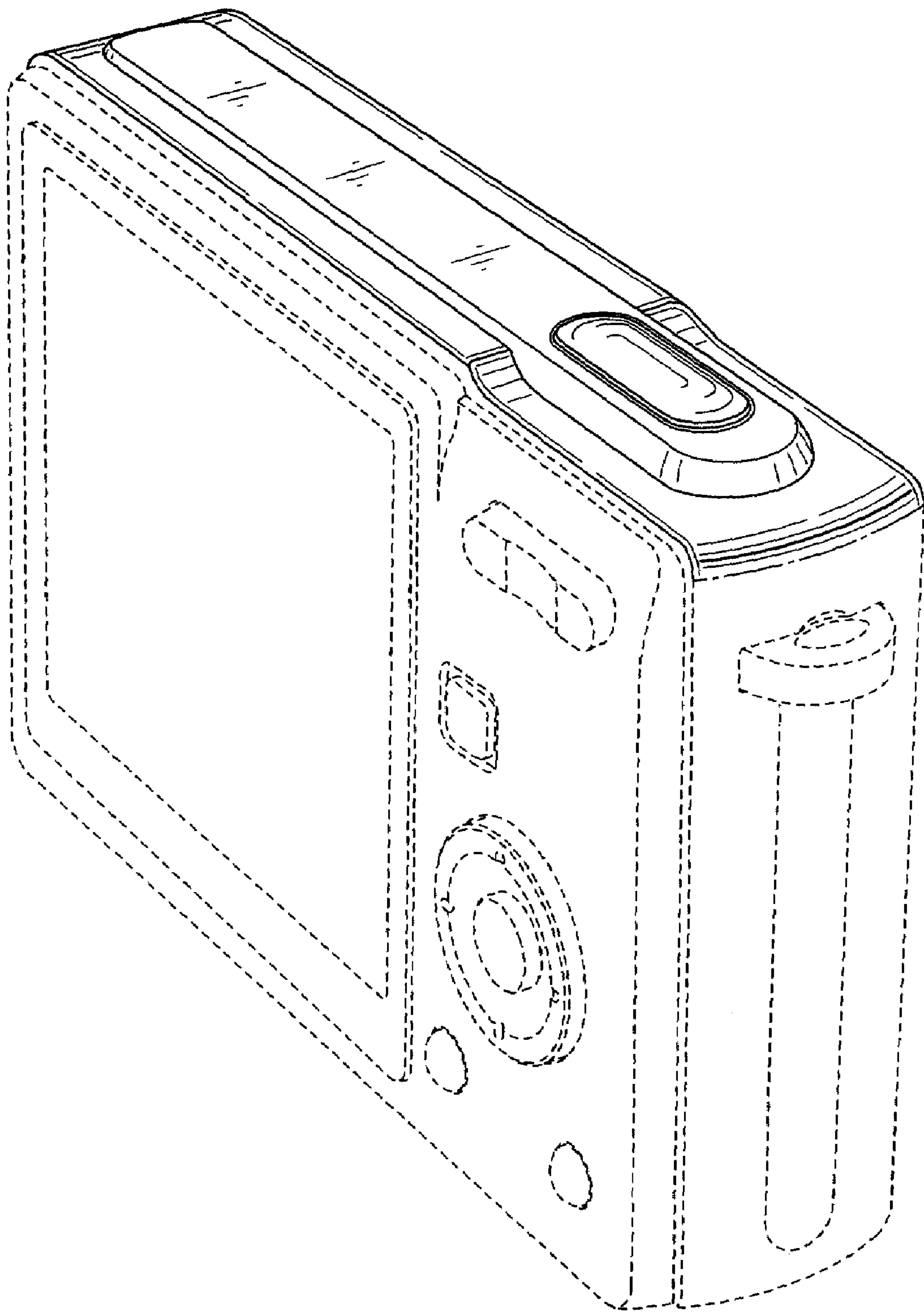


FIG. 2

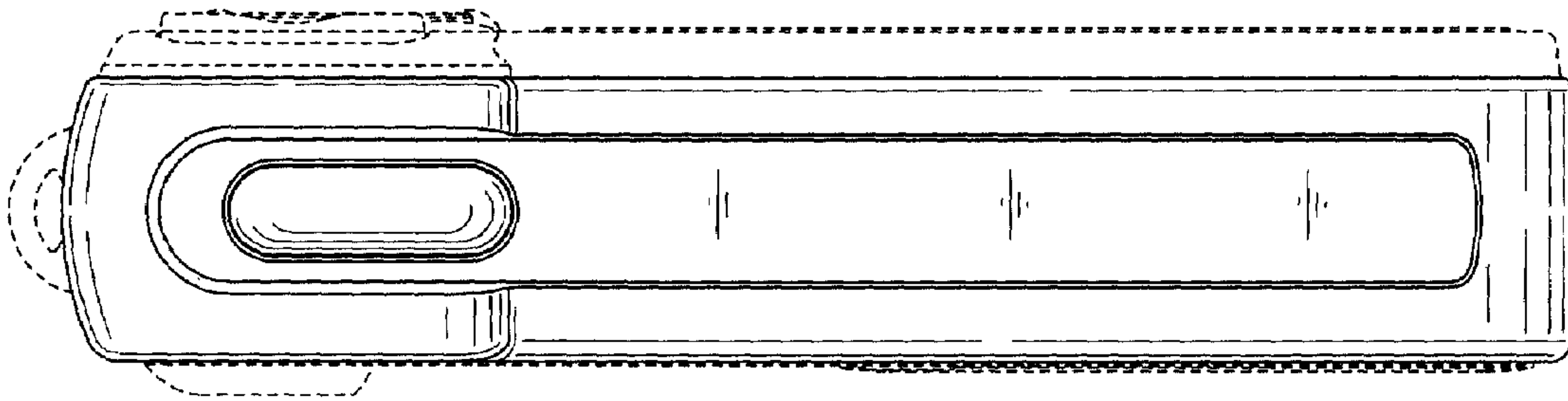


FIG. 3

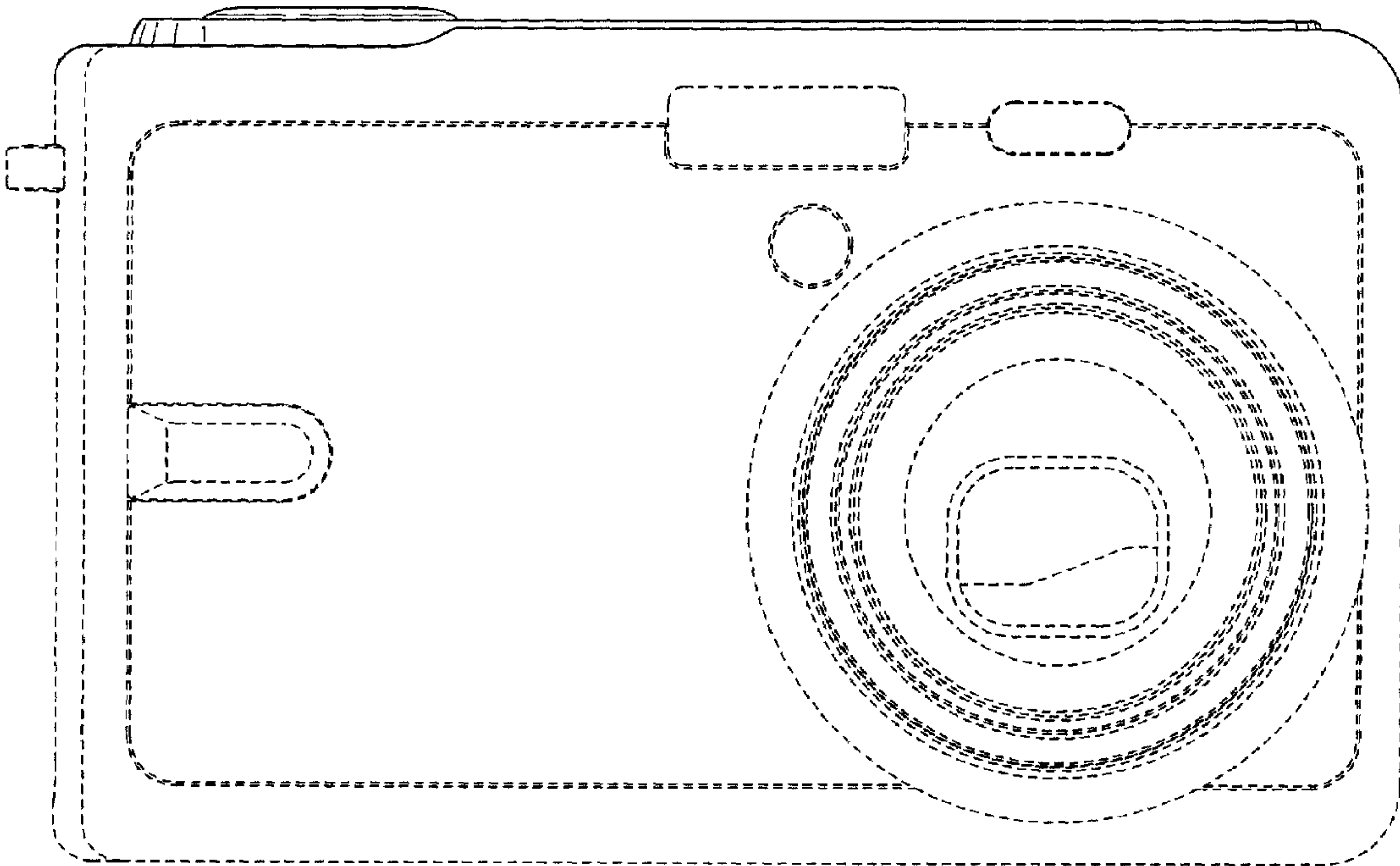


FIG. 4

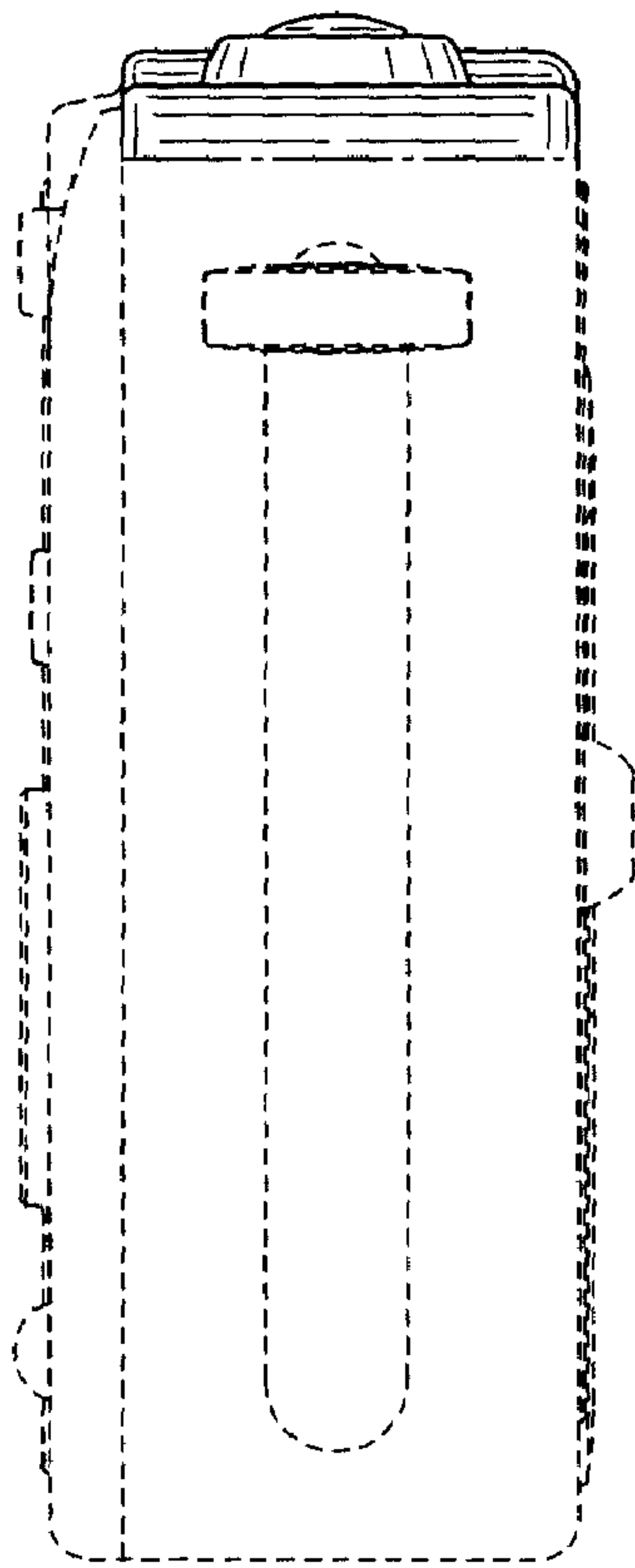


FIG. 5

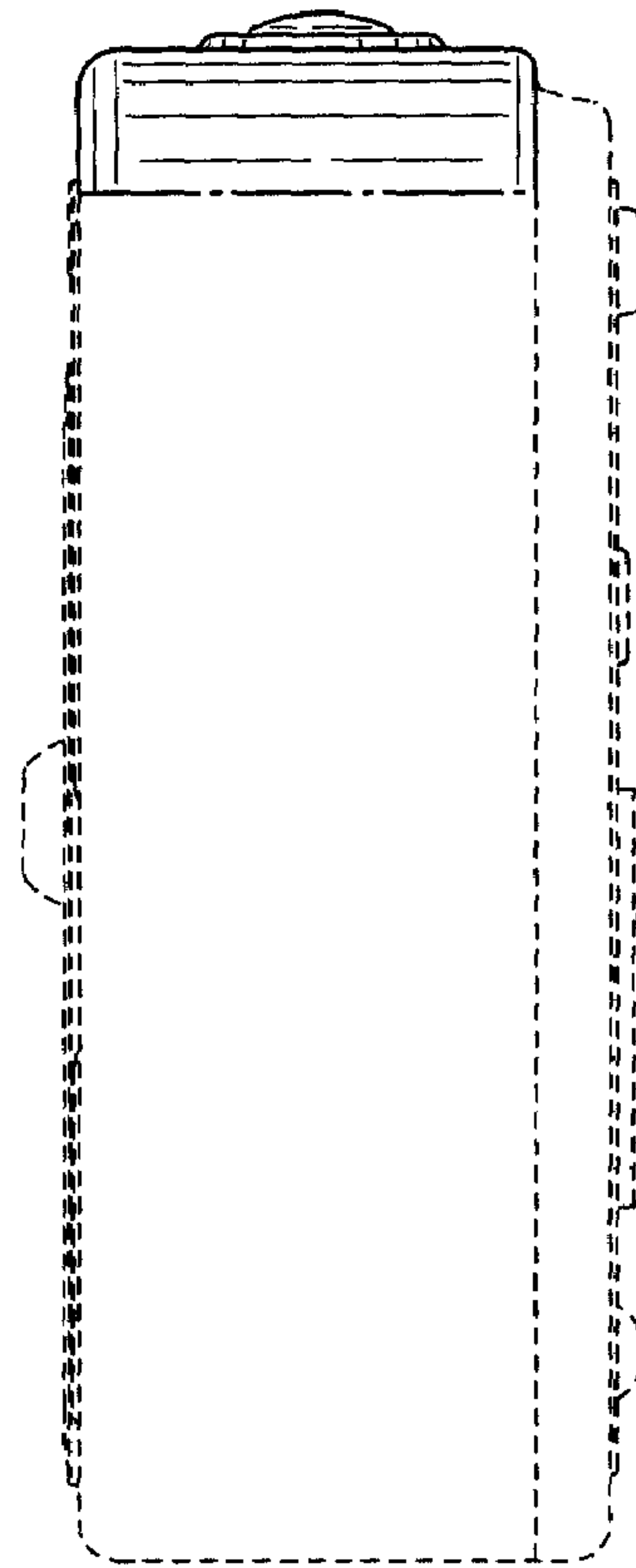


FIG. 6

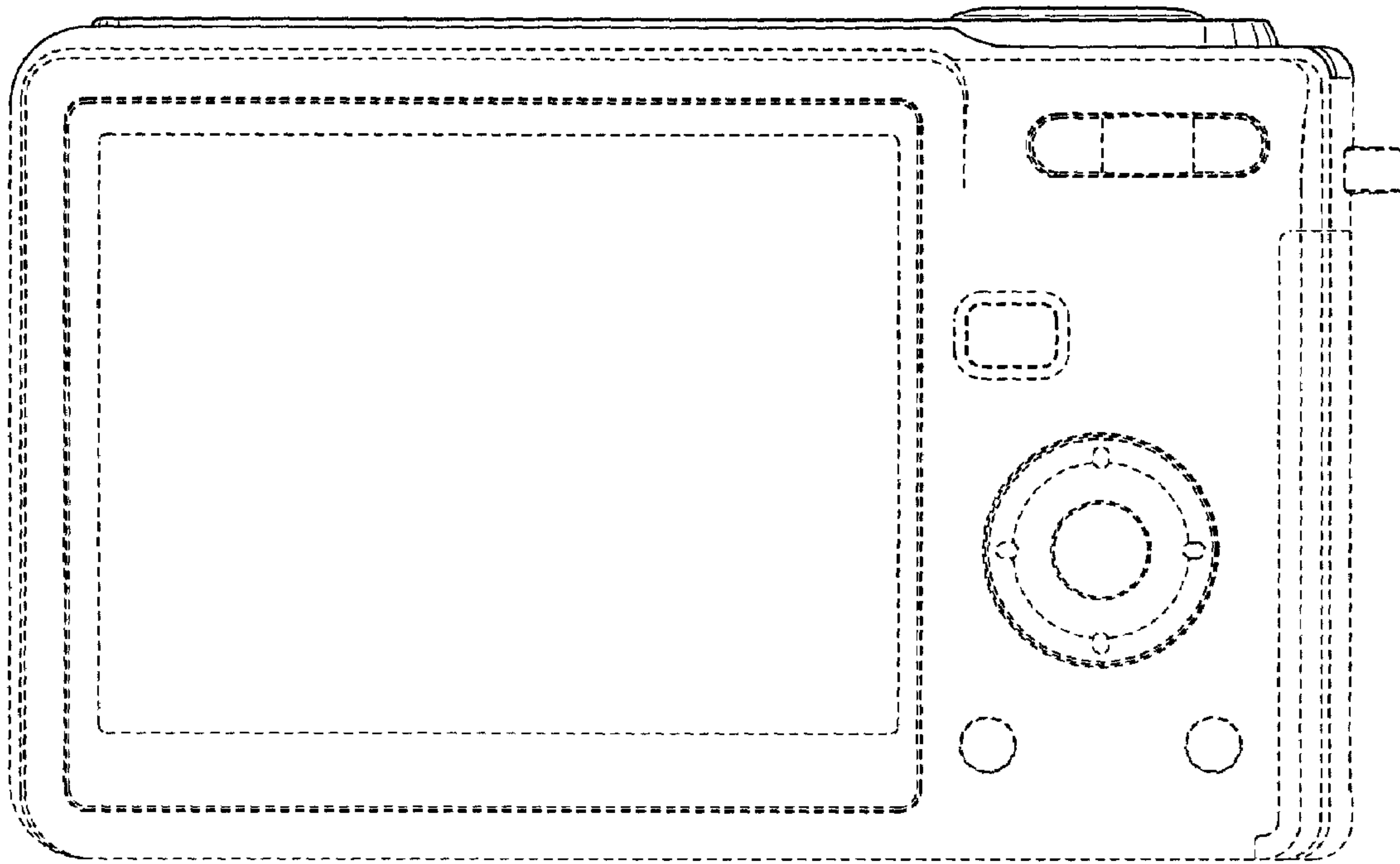


FIG. 7

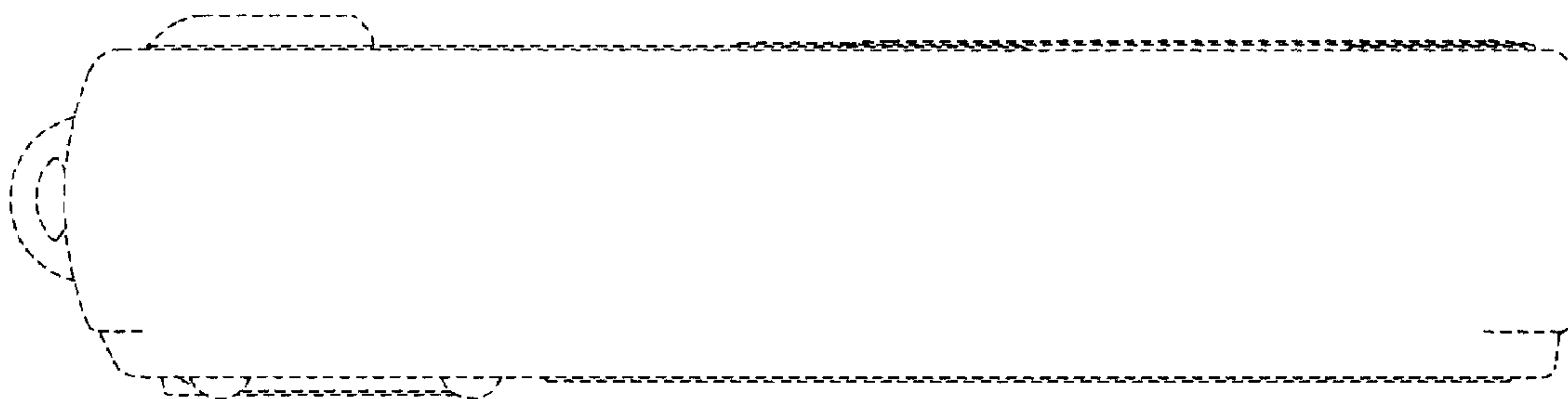


FIG. 8