



US00D550745S

(12) **United States Design Patent**
Watanabe

(10) **Patent No.:** **US D550,745 S**

(45) **Date of Patent:** **** Sep. 11, 2007**

(54) **CONVERSION LENS FOR SINGLE-LENS REFLEX CAMERA**

6,937,819 B2 * 8/2005 Brough 396/544

FOREIGN PATENT DOCUMENTS

(75) Inventor: **Akira Watanabe**, Tokyo (JP)

JP HA16003680 4/2004

(73) Assignee: **PENTAX Corporation**, Tokyo (JP)

JP 1249383 S 8/2005

(**) Term: **14 Years**

* cited by examiner

(21) Appl. No.: **29/253,893**

Primary Examiner—Adir Aronovich
(74) *Attorney, Agent, or Firm*—Sughrue Mion, PLLC

(22) Filed: **Feb. 15, 2006**

(57) **CLAIM**

(30) **Foreign Application Priority Data**

The ornamental design for a conversion lens for single-lens reflex camera, as shown.

Aug. 18, 2005 (JP) 2005-023912

DESCRIPTION

(51) **LOC (8) Cl.** **16-05**

FIG. 1 is a perspective view of the top, front and left side of a conversion lens for single-lens reflex camera showing my new design;

(52) **U.S. Cl.** **D16/219; D16/134**

(58) **Field of Classification Search** D16/134, D16/136, 200, 202, 209, 217, 218, 219; 348/373–376; 359/815, 819, 826–828; 396/529–532, 535, 396/540, 541, 544

FIG. 2 is a perspective view of the top, rear and right side thereof;

See application file for complete search history.

FIG. 3 is a right side elevational view thereof;

(56) **References Cited**

U.S. PATENT DOCUMENTS

D343,631 S * 1/1994 Takahashi D16/134
D390,857 S * 2/1998 Hayamizu D16/219
D412,922 S * 8/1999 Sekine D16/219
D433,044 S * 10/2000 Nagaoka et al. D16/134
D446,232 S * 8/2001 Watanabe D16/134

FIG. 4 is a left side elevational view thereof;

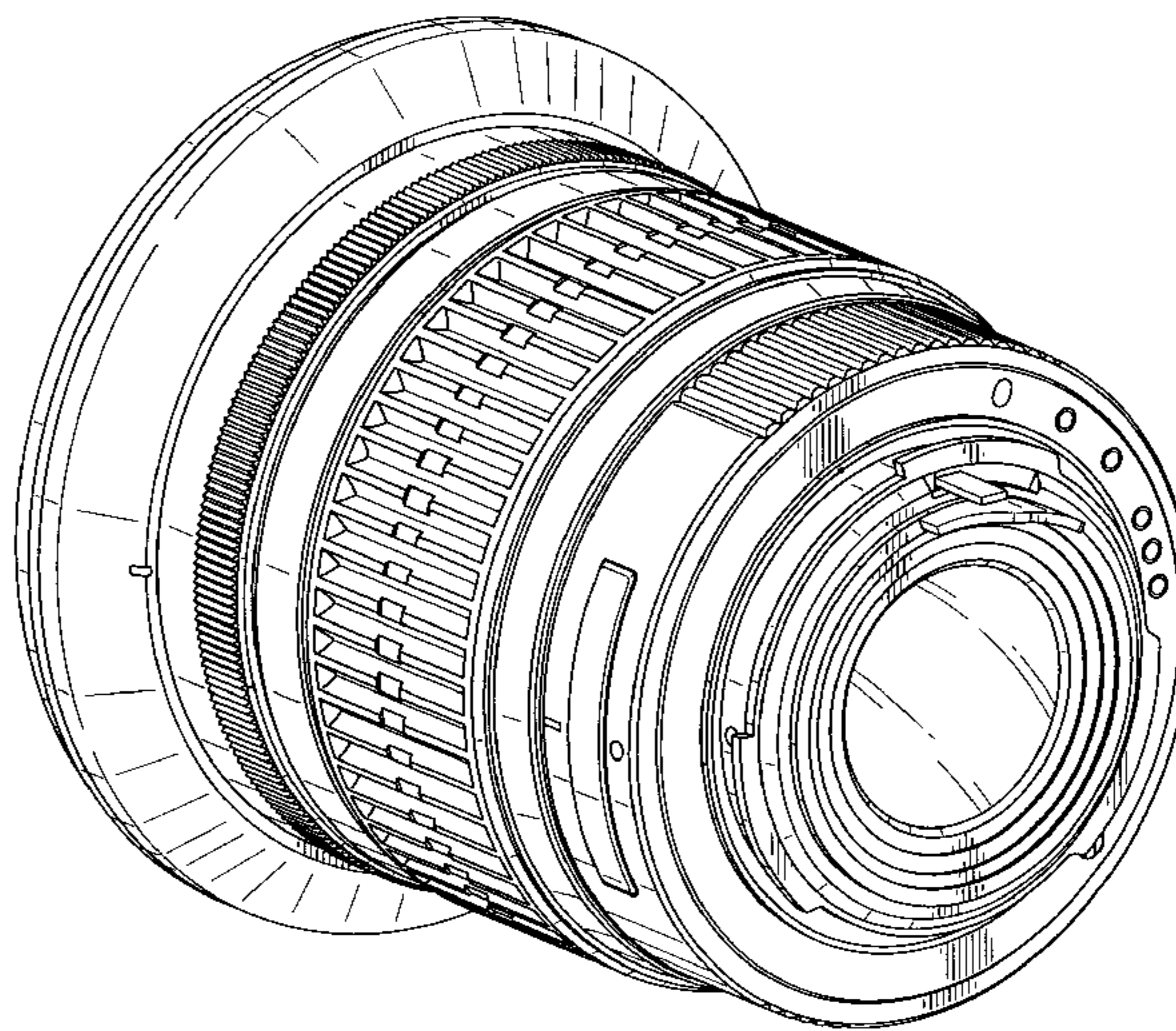
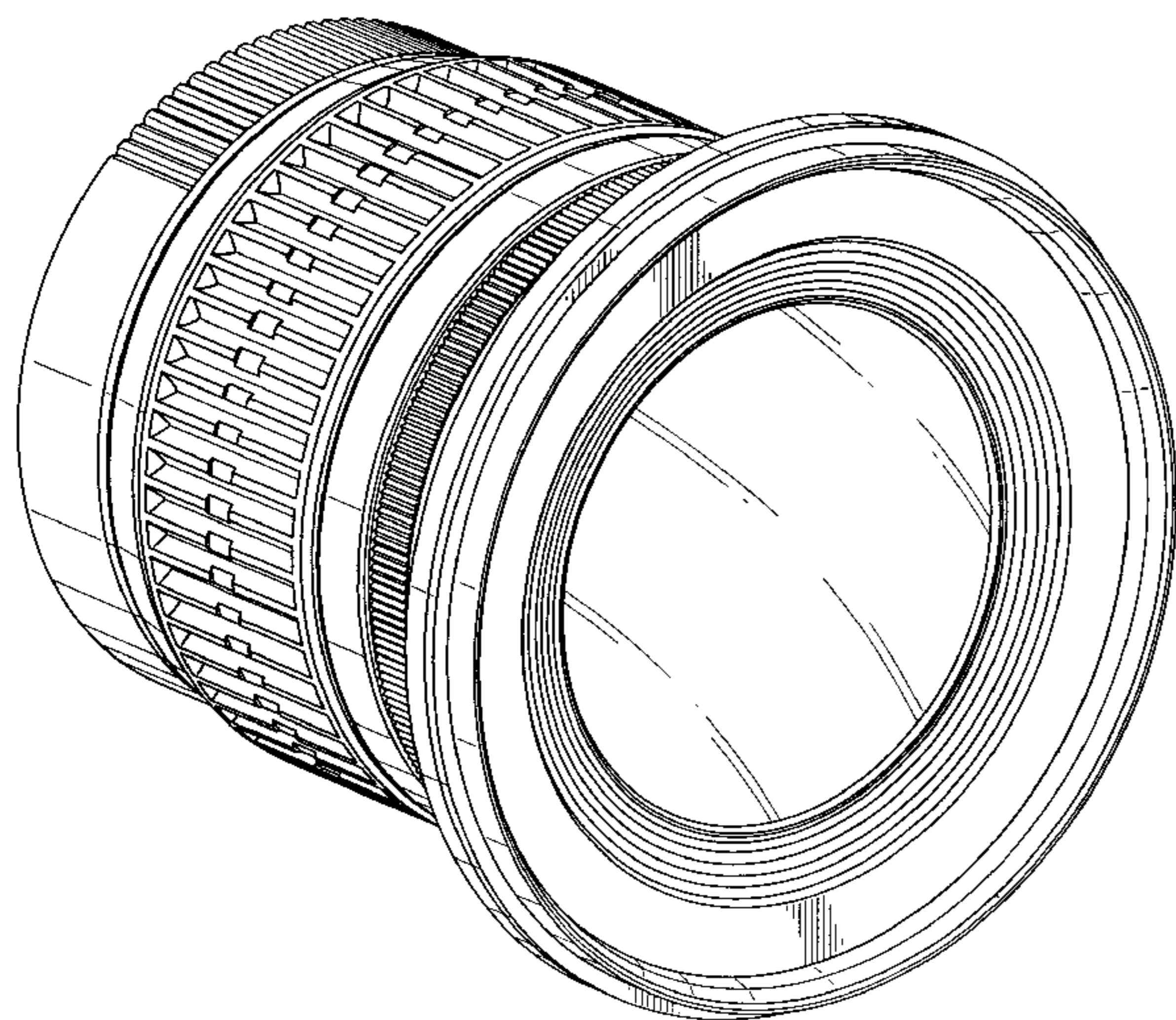
FIG. 5 is a front elevational view thereof;

FIG. 6 is a rear elevational view thereof;

FIG. 7 is a top plan view thereof; and,

FIG. 8 is a bottom plan view thereof.

1 Claim, 8 Drawing Sheets



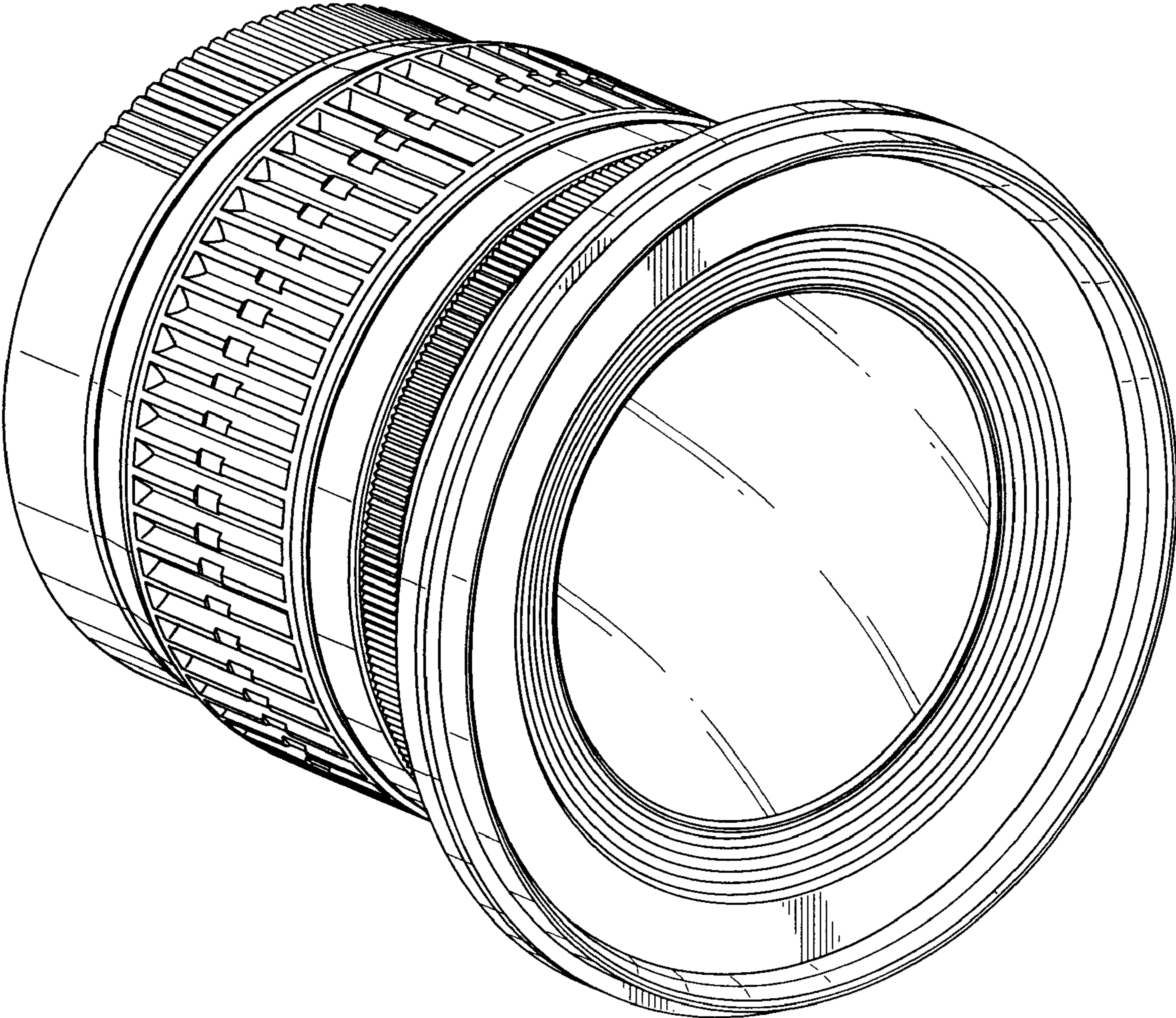


FIG. 1

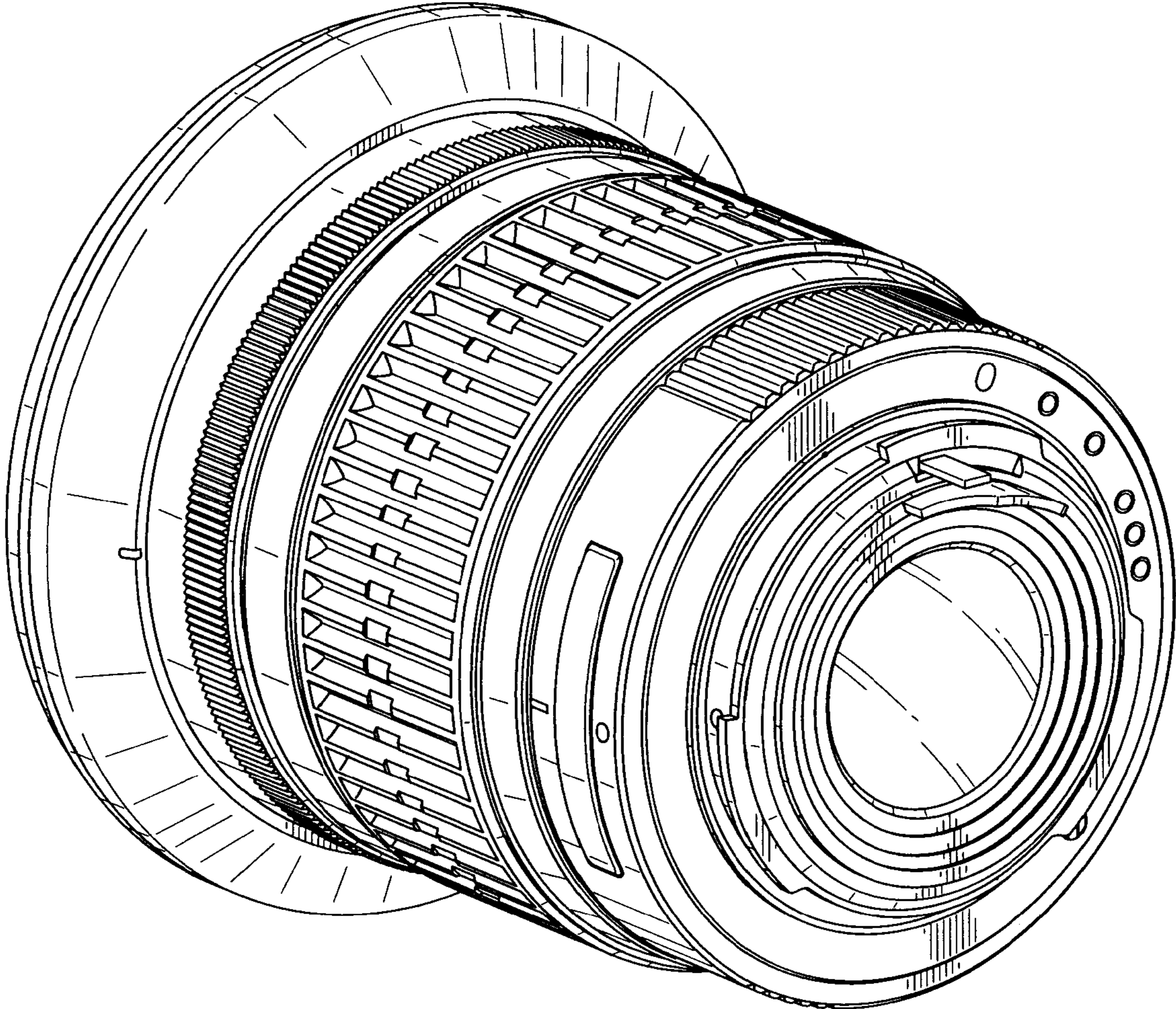


FIG. 2

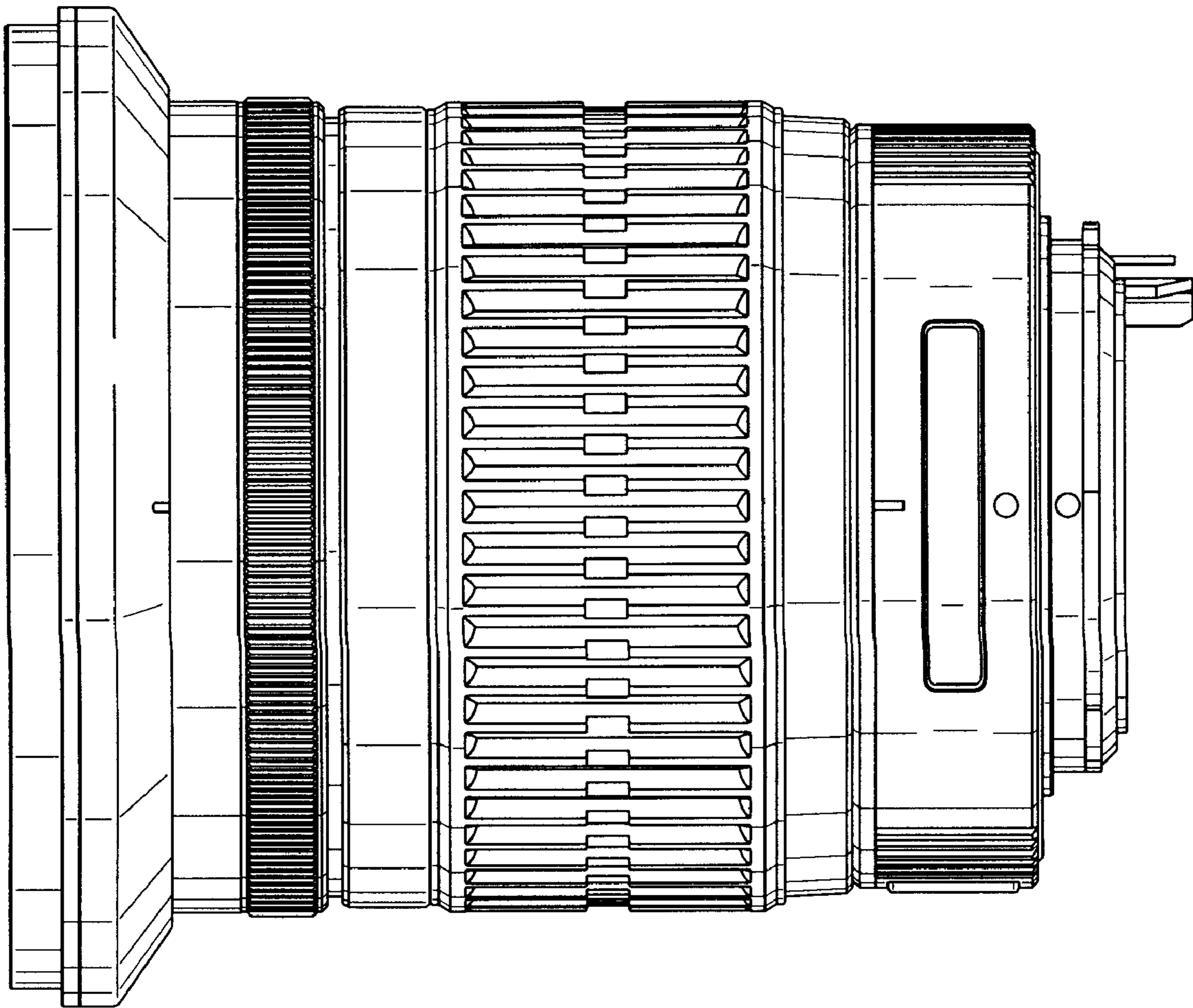


FIG. 3

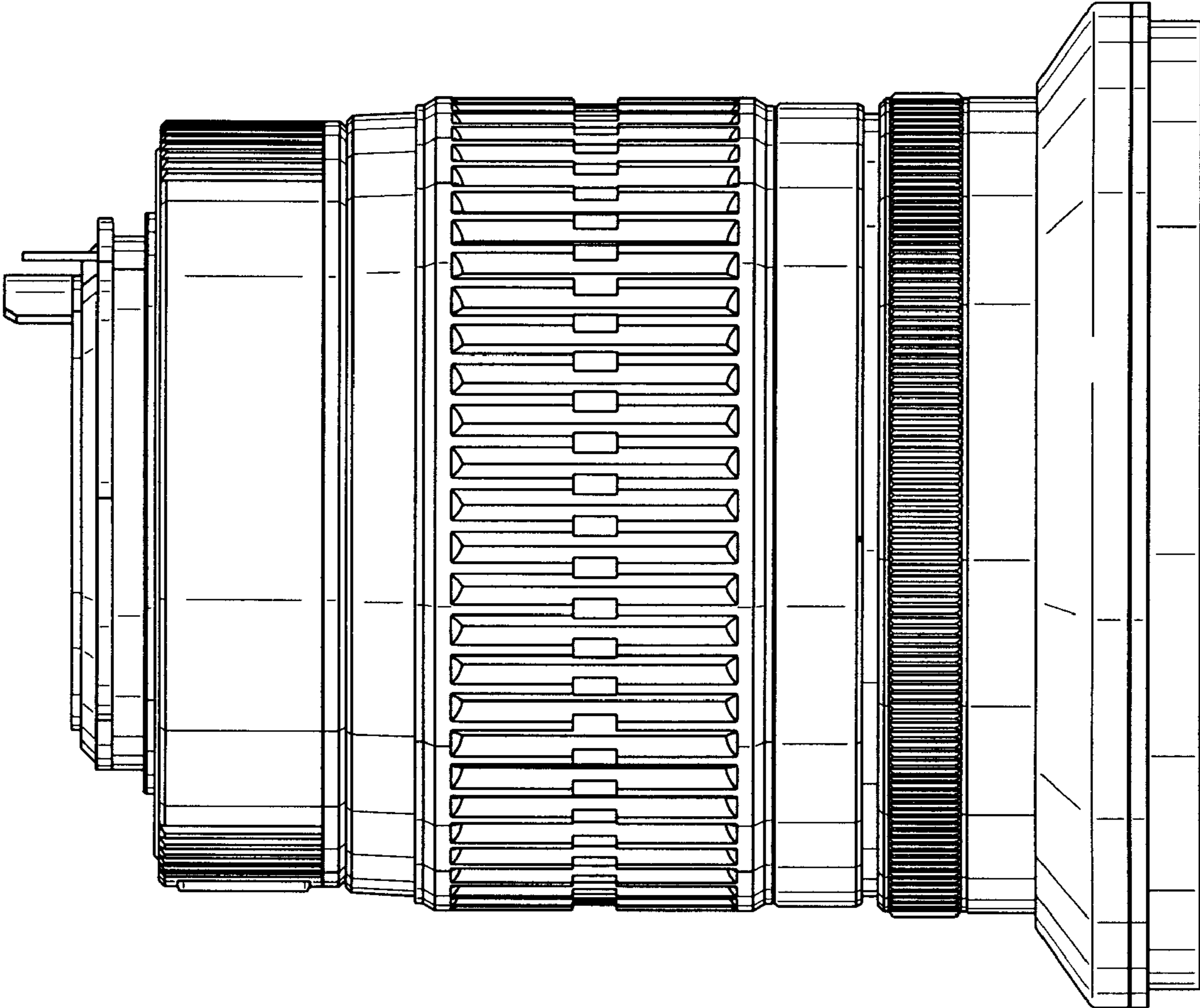


FIG. 4

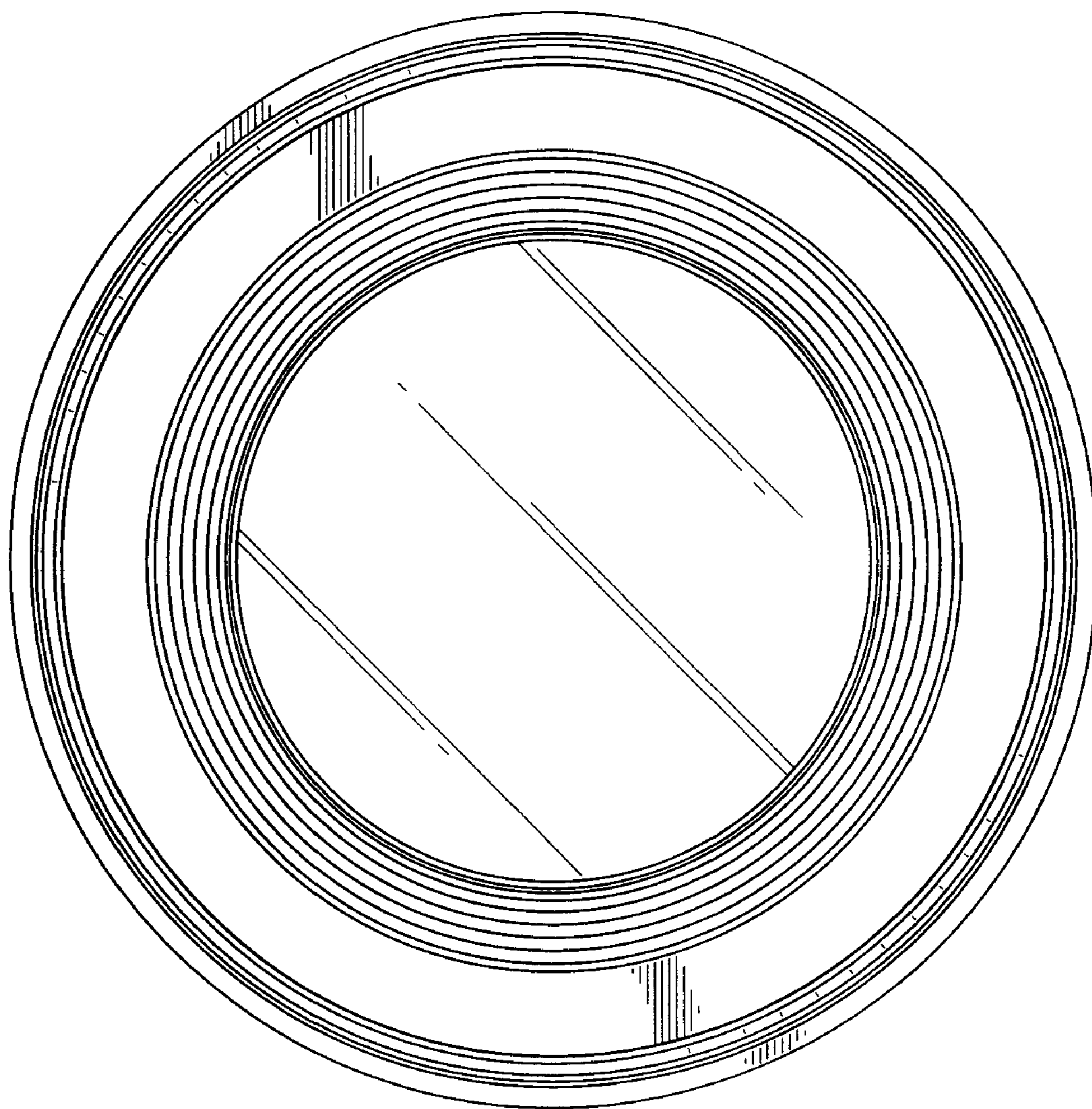


FIG. 5

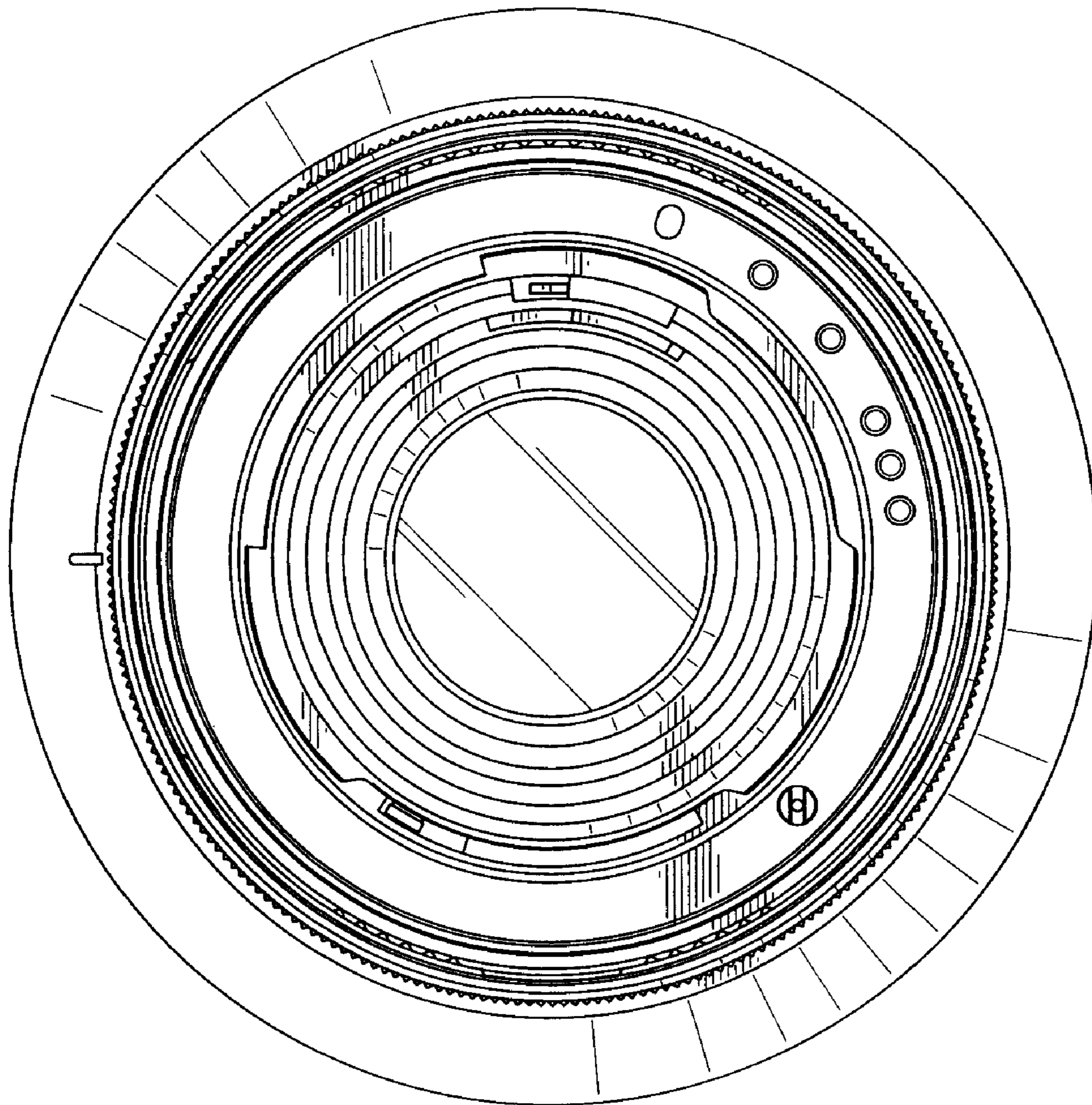


FIG. 6

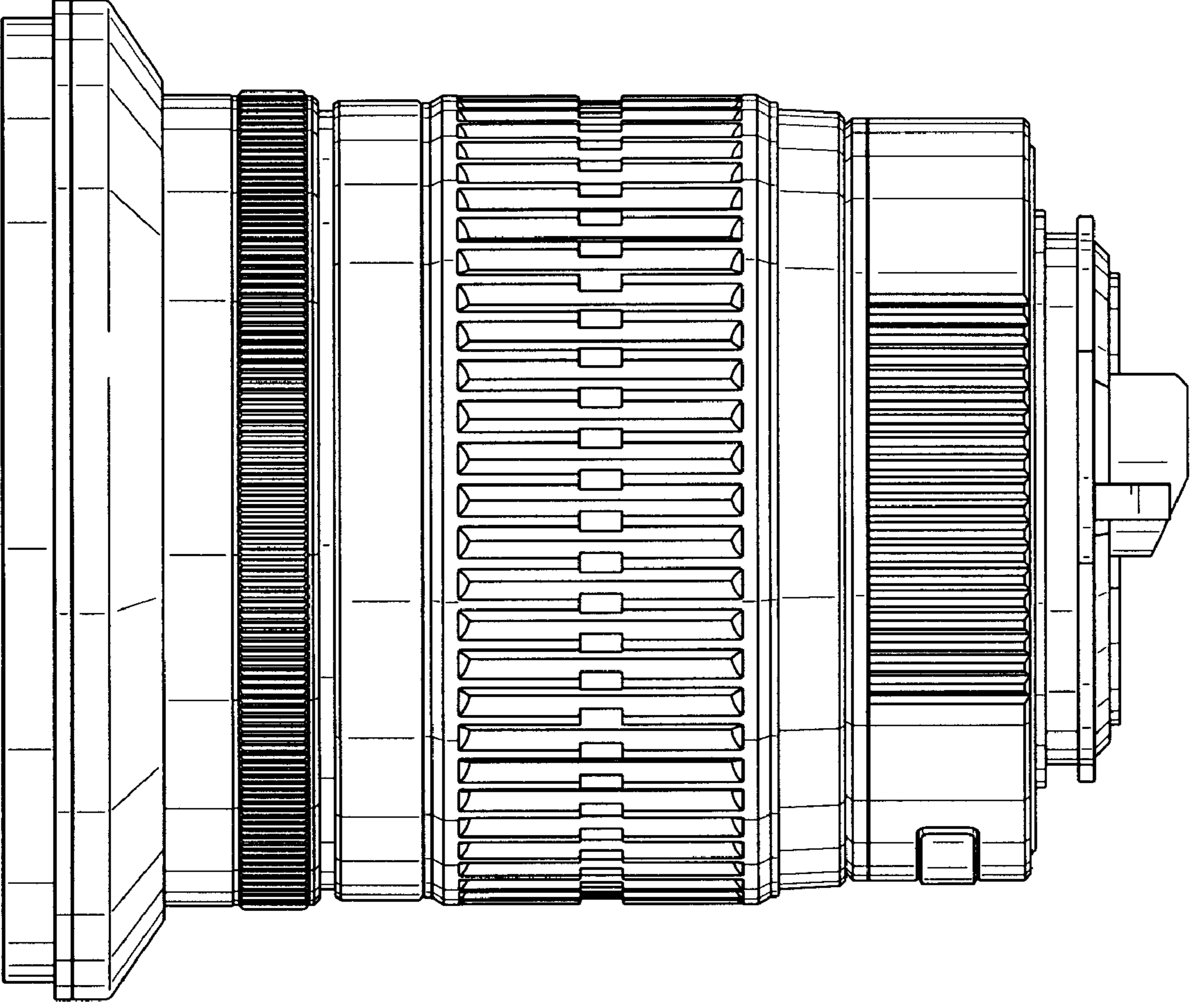


FIG. 7

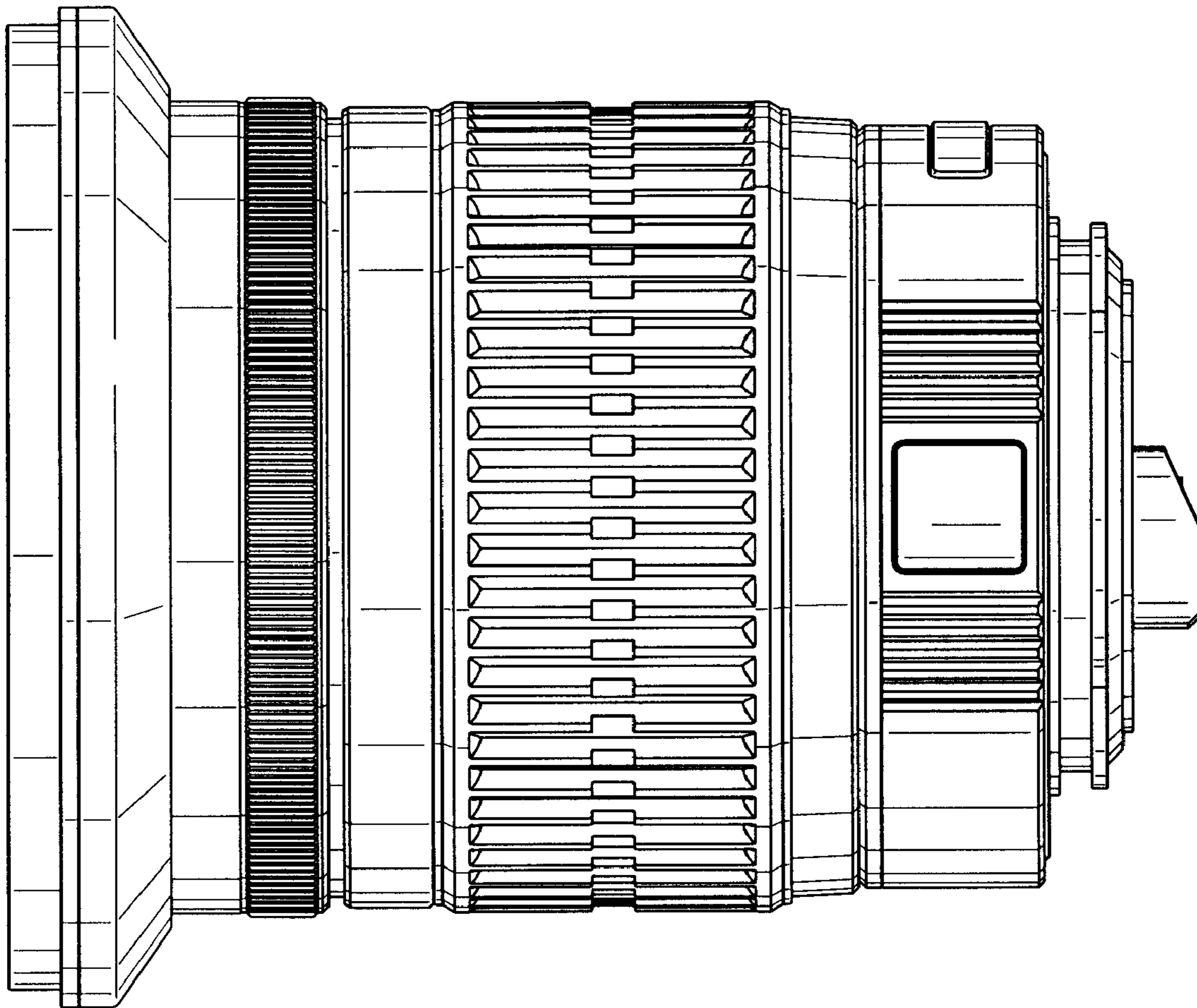


FIG. 8