



US00D550744S

(12) **United States Design Patent**  
**Lee**

(10) **Patent No.:** **US D550,744 S**

(45) **Date of Patent:** **\*\* Sep. 11, 2007**

(54) **CAMERA**

(75) Inventor: **Soo Jung Lee**, Seoul (KR)

(73) Assignee: **Samsung Techwin Co., Ltd.**,  
Changwon (KR)

(\*\*) Term: **14 Years**

(21) Appl. No.: **29/229,156**

(22) Filed: **May 4, 2005**

(30) **Foreign Application Priority Data**

Mar. 17, 2005 (KR) ..... 30-2005-0008664

(51) **LOC (8) Cl.** ..... **16-05**

(52) **U.S. Cl.** ..... **D16/219**

(58) **Field of Classification Search** ..... D16/200-206,  
D16/208, 218, 219, 243; 348/373-376; 358/909.1;  
396/535-541

See application file for complete search history.

(56) **References Cited**

**U.S. PATENT DOCUMENTS**

D475,383 S \* 6/2003 Omino ..... D16/202

D484,902 S \* 1/2004 Baba ..... D16/202

D488,498 S \* 4/2004 Miyashita ..... D16/219  
D496,380 S \* 9/2004 Isomoto ..... D16/202  
D505,685 S \* 5/2005 Yoshida ..... D16/219  
7,075,579 B2 \* 7/2006 Whitby et al. .... 348/375  
D528,579 S \* 9/2006 Yasutomi ..... D16/202  
2005/0057685 A1 \* 3/2005 Yamaguchi ..... 348/375

\* cited by examiner

*Primary Examiner*—Adir Aronovich

(74) *Attorney, Agent, or Firm*—Drinker Biddle & Reath LLP

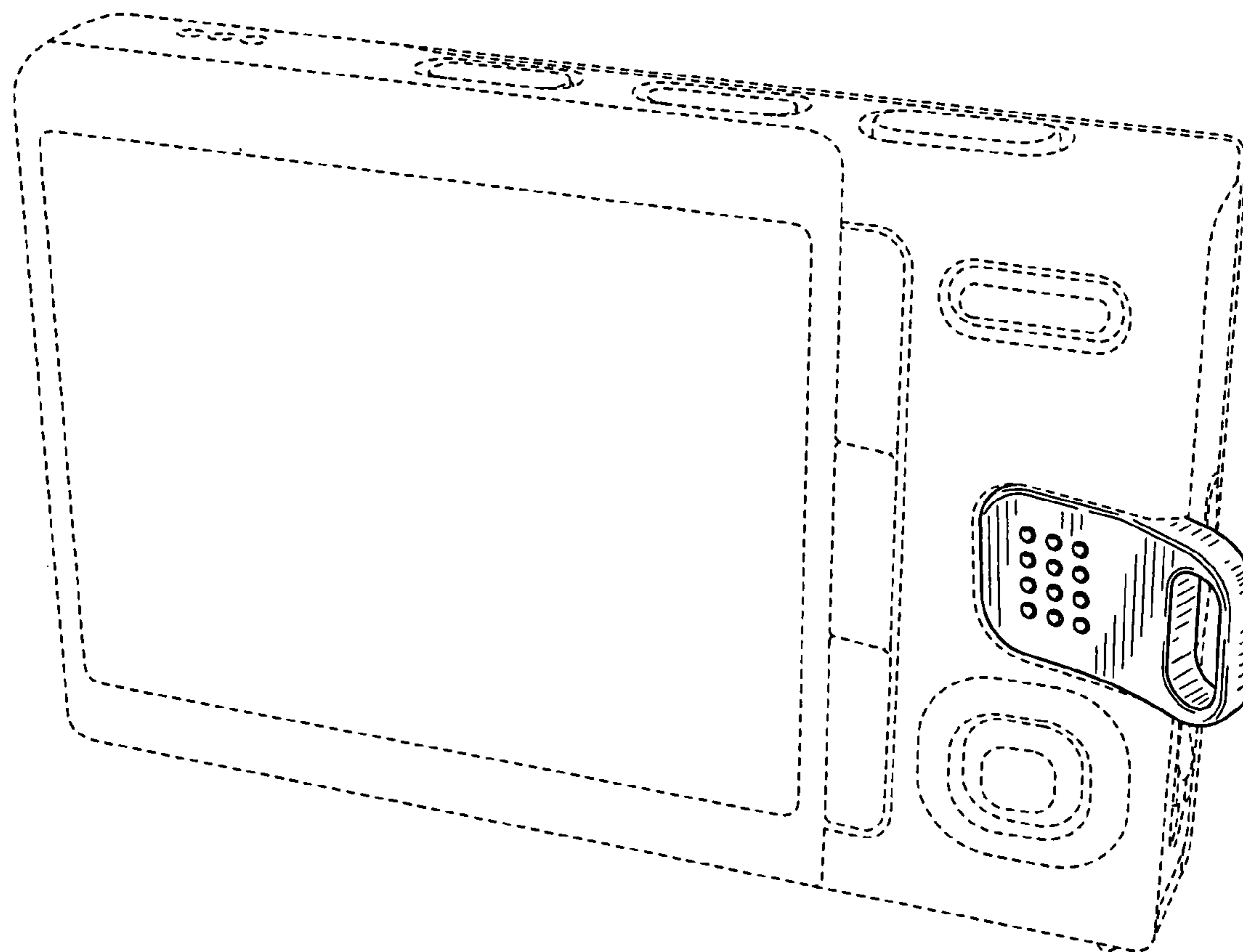
(57) **CLAIM**

I claim the ornamental design for a camera, as shown and described.

**DESCRIPTION**

FIG. 1 is a rear perspective view of the design for a camera;  
FIG. 2 is a front view of the design of FIG. 1;  
FIG. 3 is a rear view of the design of FIG. 1;  
FIG. 4 is a left side view of the design of FIG. 1;  
FIG. 5 is a right side view of the design of FIG. 1;  
FIG. 6 is a top view of the design of FIG. 1; and,  
FIG. 7 is a bottom view of the design of FIG. 1.

**1 Claim, 4 Drawing Sheets**



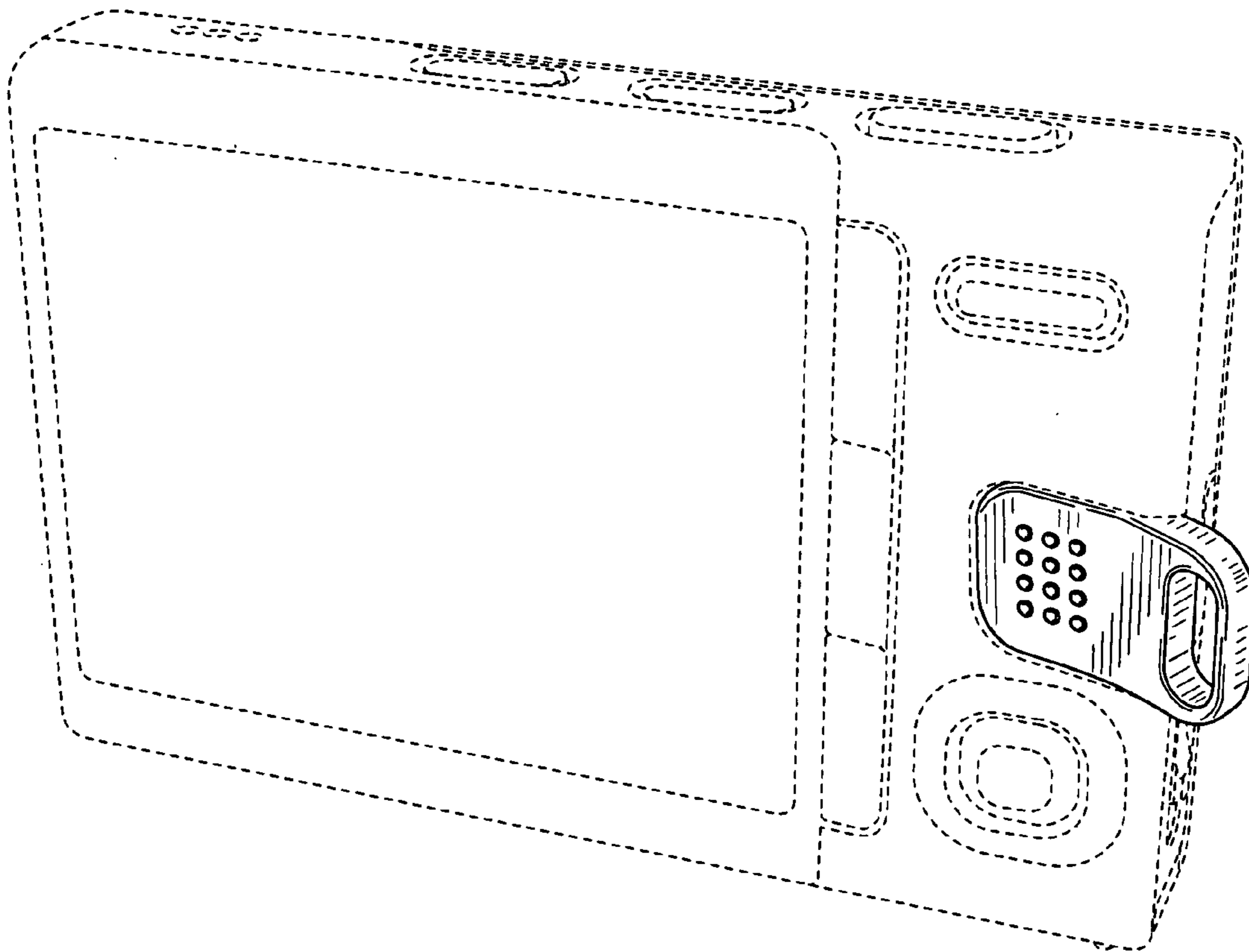


FIG. 1

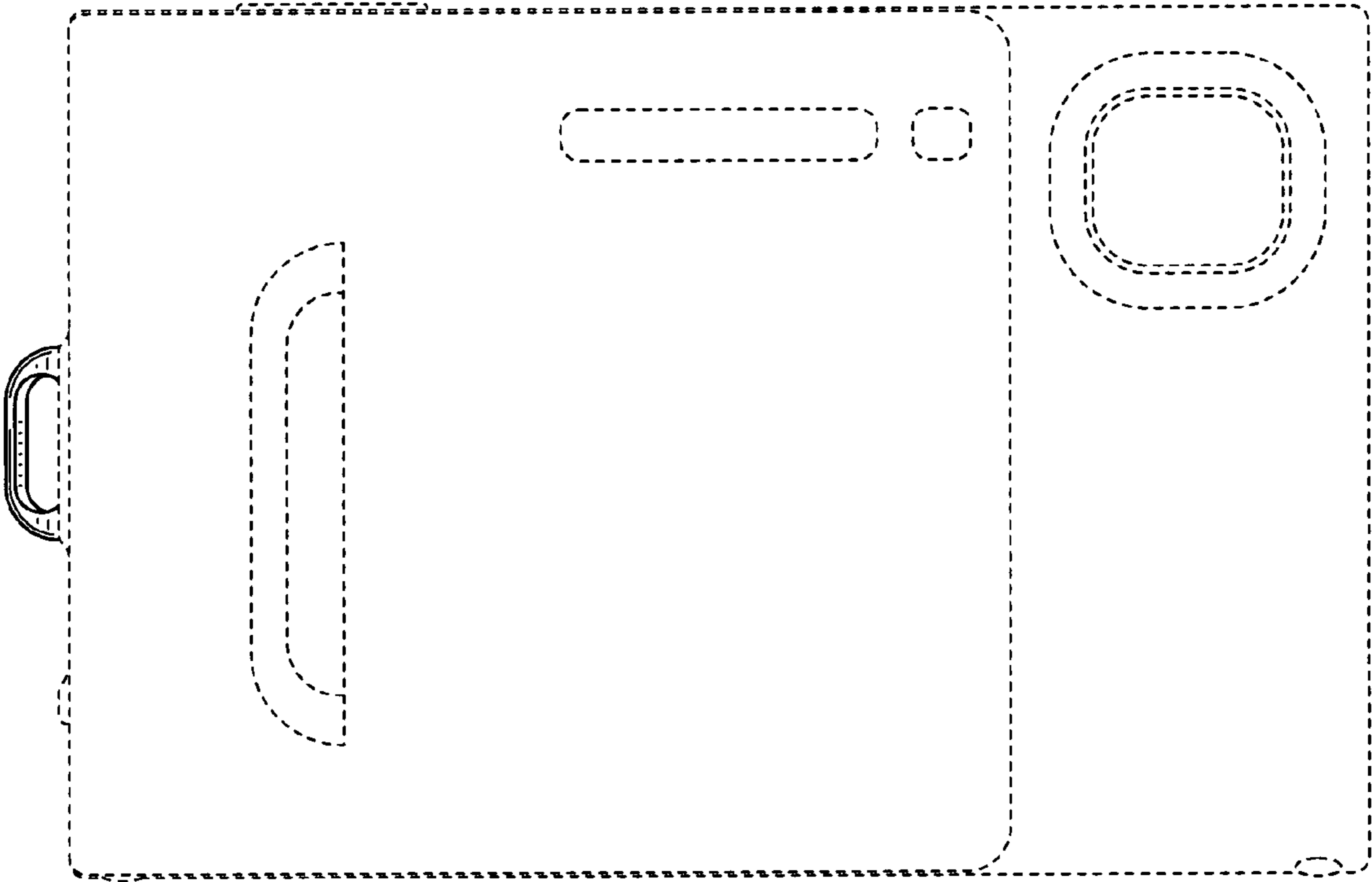


FIG. 2

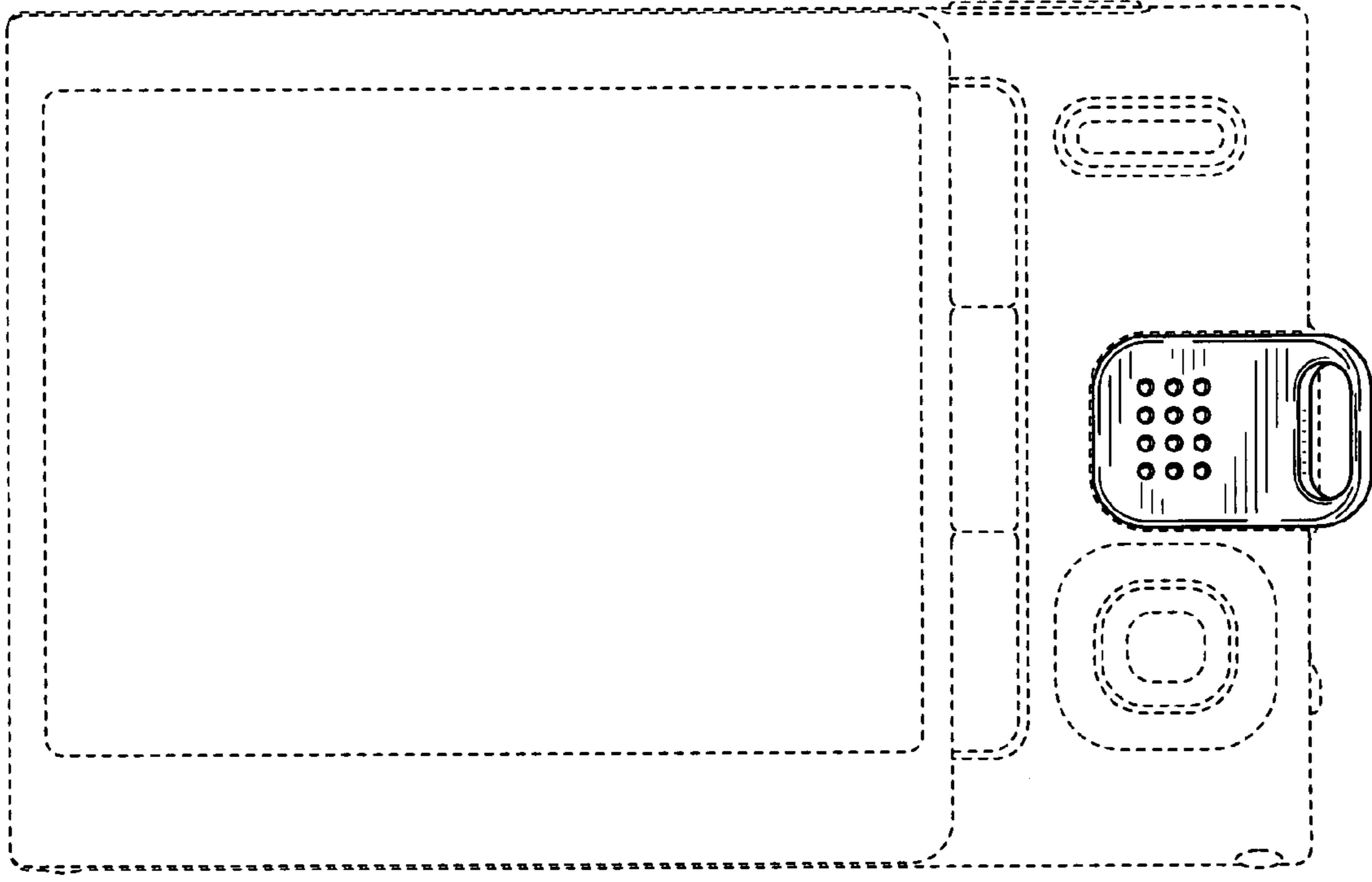


FIG. 3

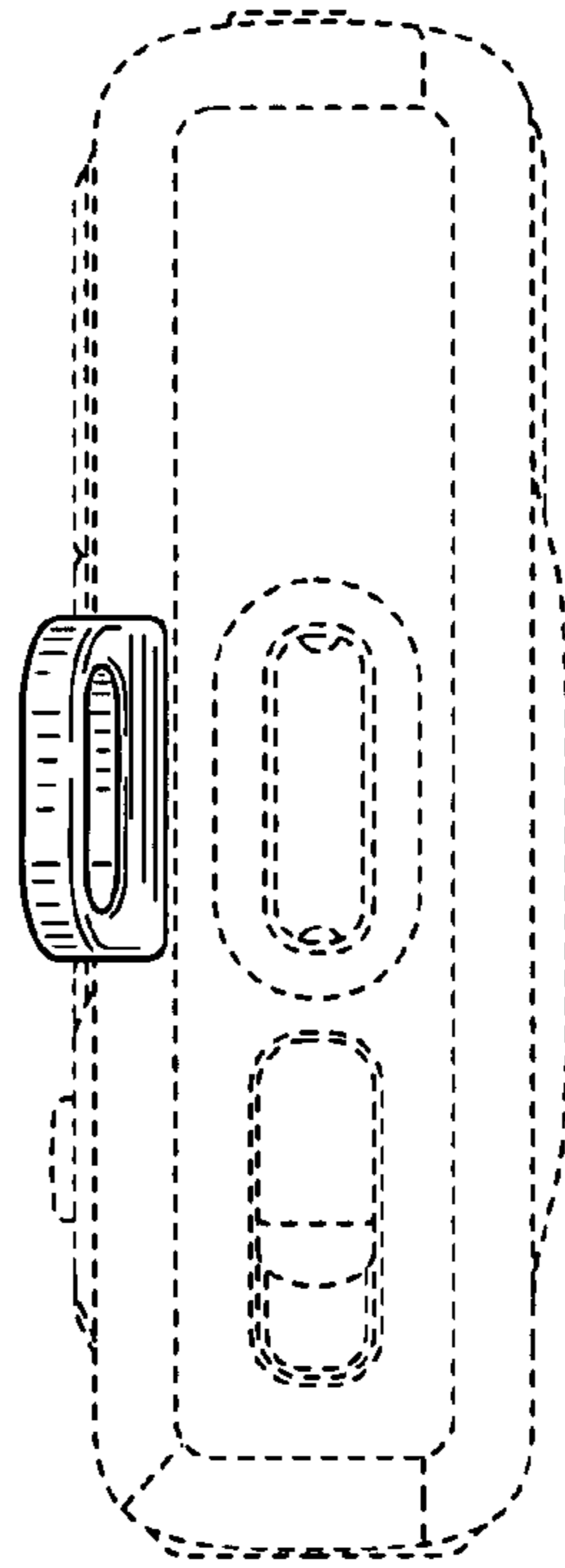


FIG. 4

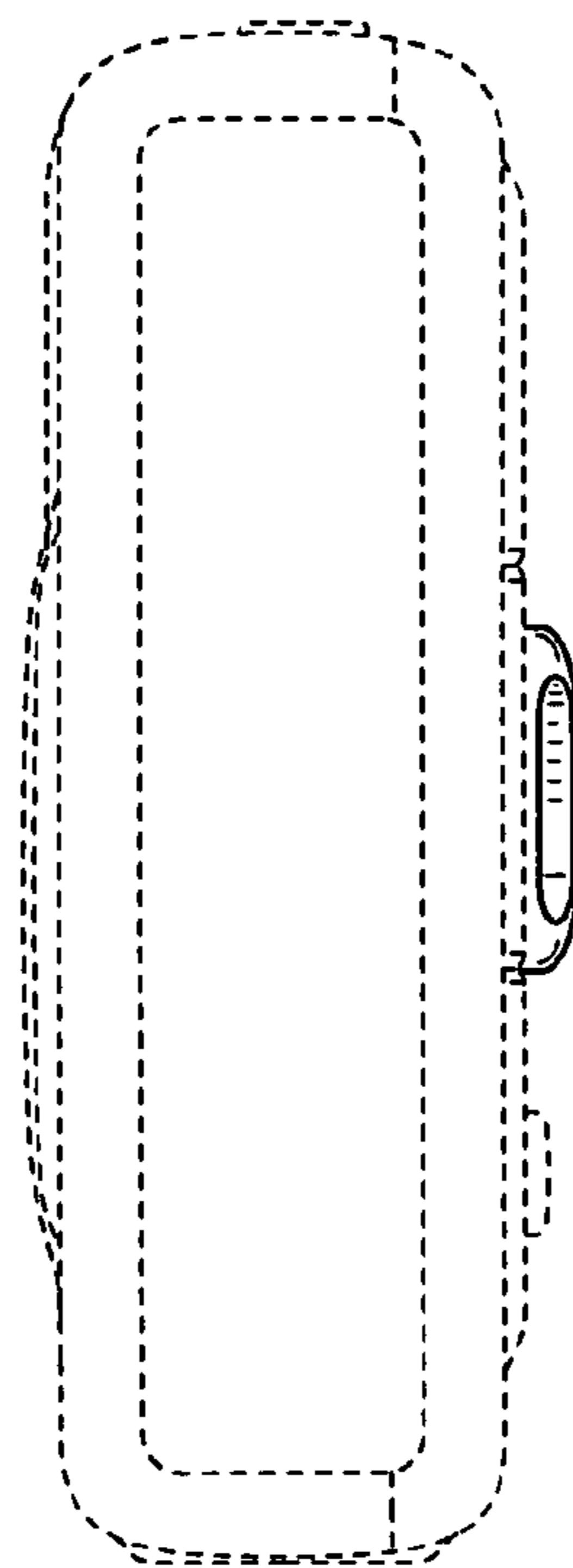


FIG. 5

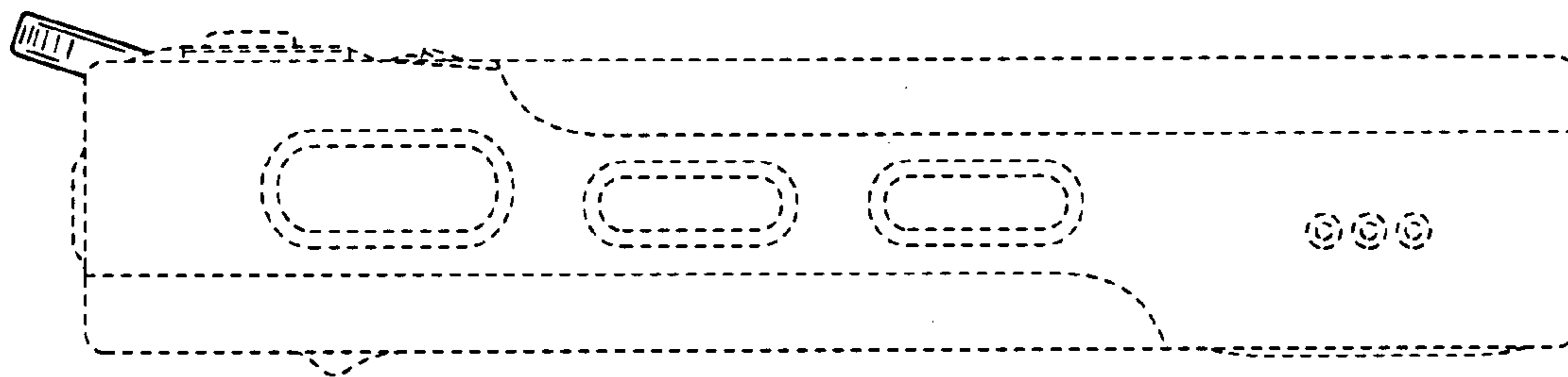


FIG. 6

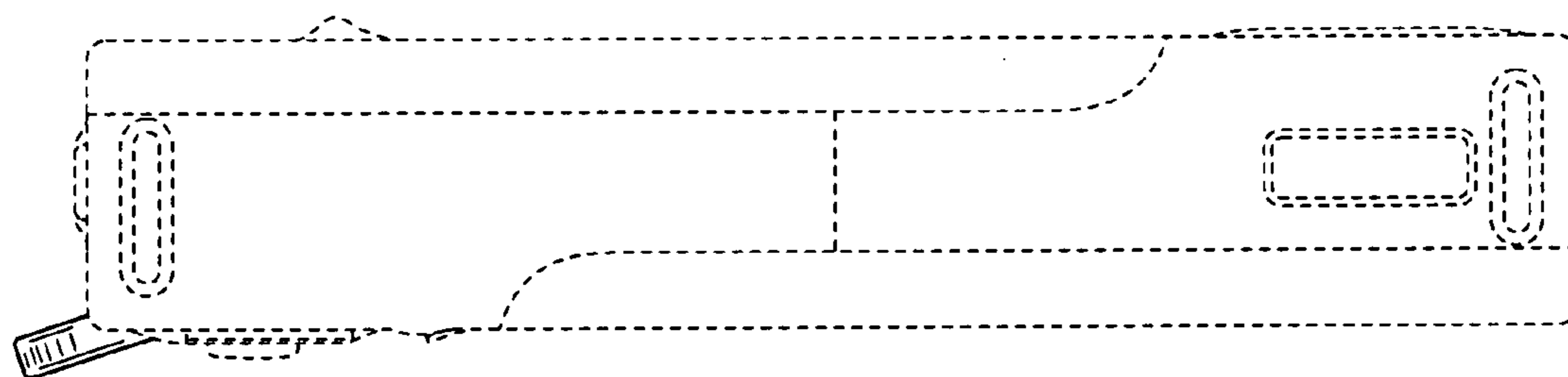


FIG. 7