



US00D550743S

(12) **United States Design Patent**
Bai

(10) **Patent No.:** **US D550,743 S**

(45) **Date of Patent:** **** Sep. 11, 2007**

(54) **DIGITAL CAMERA**

(75) Inventor: **Sung Kyun Bai**, Yongin-Si (KR)

(73) Assignee: **Samsung Electronics Co., Ltd.** (KR)

(**) Term: **14 Years**

(21) Appl. No.: **29/244,746**

(22) Filed: **Dec. 14, 2005**

(30) **Foreign Application Priority Data**

Sep. 2, 2005 (KR) 30-2005-0029708

(51) **LOC (8) Cl.** **16-01**

(52) **U.S. Cl.** **D16/218; D16/200; D16/202;**
D16/208

(58) **Field of Classification Search** D16/200-206,
D16/208-209, 216-218; 348/373-376, 231.6,
348/231.7; 358/909, 909.1; 396/6, 60, 211,
396/535-541

See application file for complete search history.

(56) **References Cited**

U.S. PATENT DOCUMENTS

D410,665 S *	6/1999	Shinano	D16/202
D430,183 S *	8/2000	Ito	D16/202
D477,621 S *	7/2003	Katayama	D16/202
6,650,838 B2 *	11/2003	Tanaka et al.	396/539
D487,283 S *	3/2004	Watanabe	D16/202
D494,203 S *	8/2004	Yoo	D16/202
D501,862 S *	2/2005	Hong et al.	D16/202

D508,065 S *	8/2005	Dow et al.	D16/202
D508,711 S *	8/2005	Suzuki	D16/202
D516,107 S *	2/2006	Kim	D16/202

* cited by examiner

Primary Examiner—Ian Simmons

Assistant Examiner—Wan Laymon

(74) *Attorney, Agent, or Firm*—Irving Keschner

(57) **CLAIM**

The ornamental design for a digital camera, as shown.

DESCRIPTION

FIG. 1 is a perspective view of the ornamental design of the present invention;

FIG. 2 is a front elevational view of the ornamental design of the present invention;

FIG. 3 is a rear elevational view of the ornamental design of the present invention;

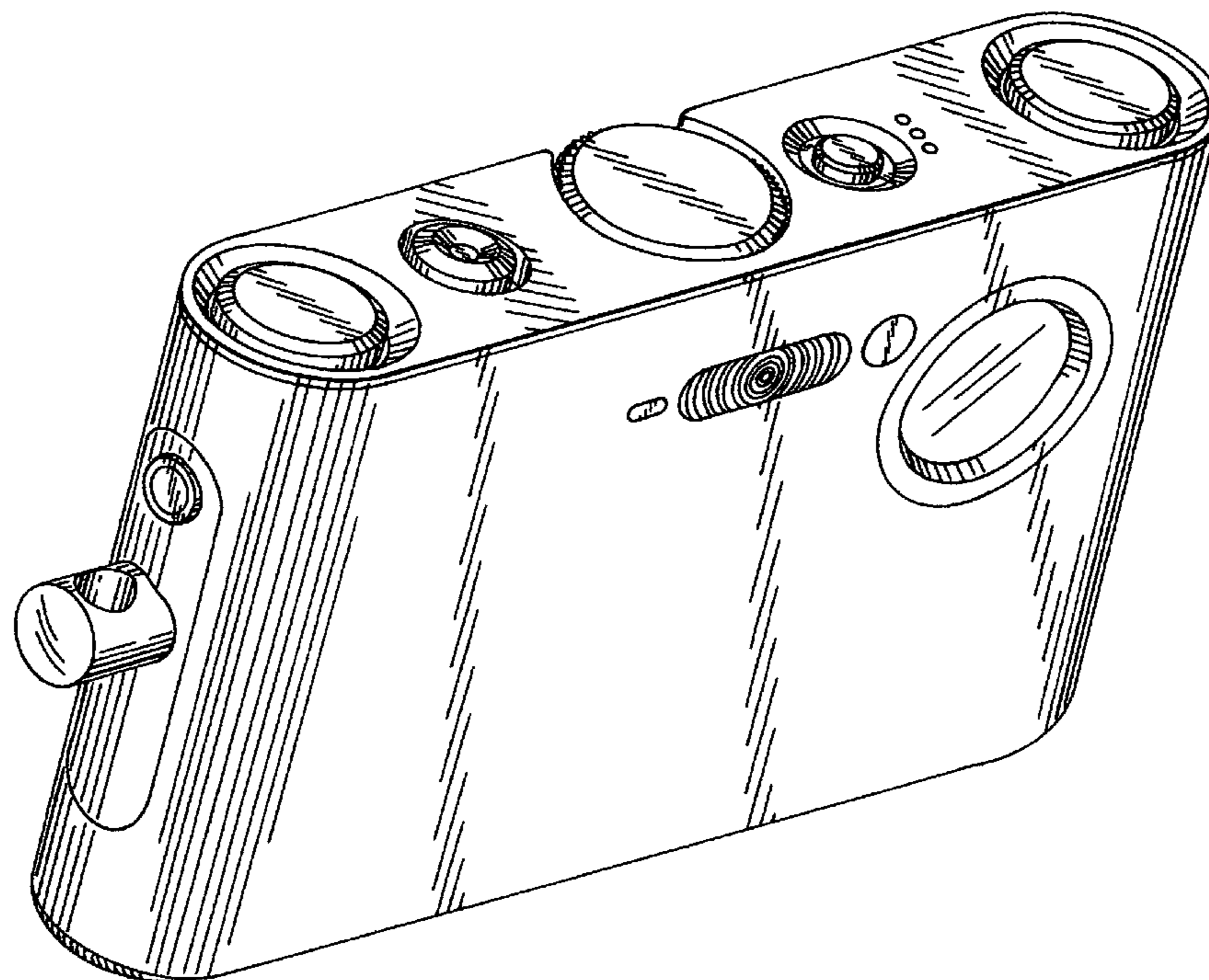
FIG. 4 is a left side elevational view of the ornamental design of the present invention, the right side elevational view being a mirror image thereof;

FIG. 5 is a right side elevational view of the ornamental design of the present invention;

FIG. 6 is a top plan view of the ornamental design of the present invention; and,

FIG. 7 is a bottom view of the ornamental design of the present invention.

1 Claim, 5 Drawing Sheets



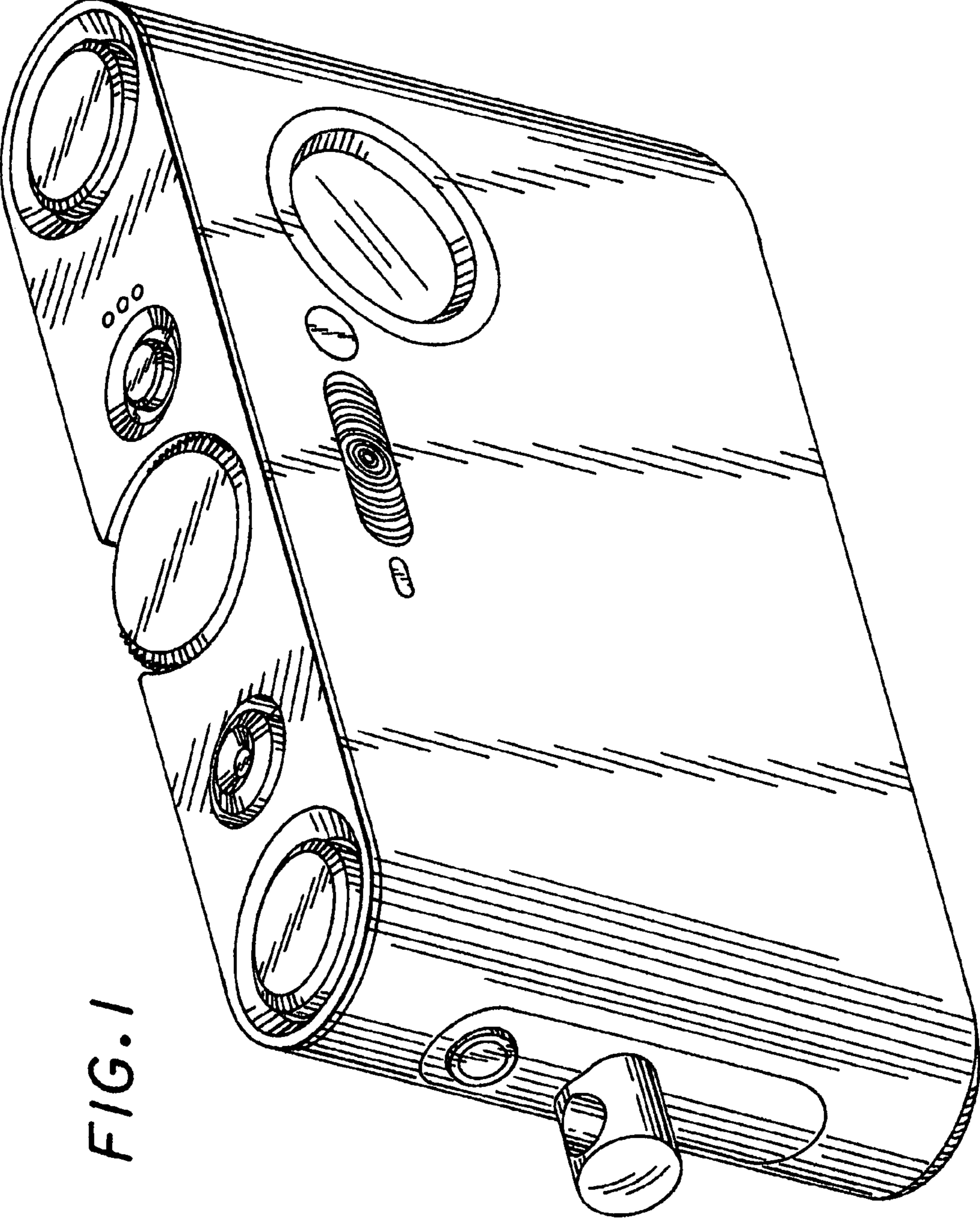


FIG. 1

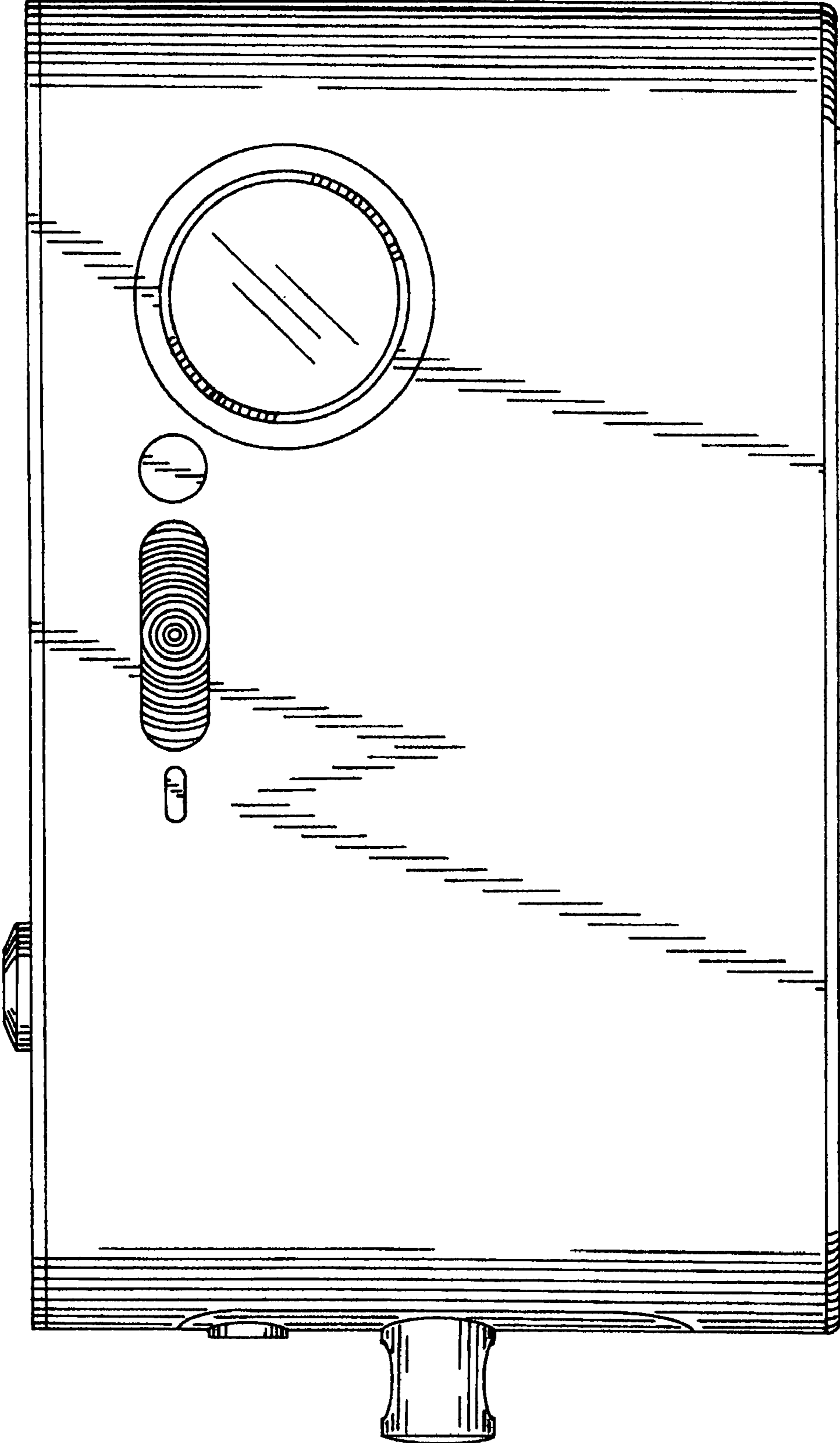


FIG. 2

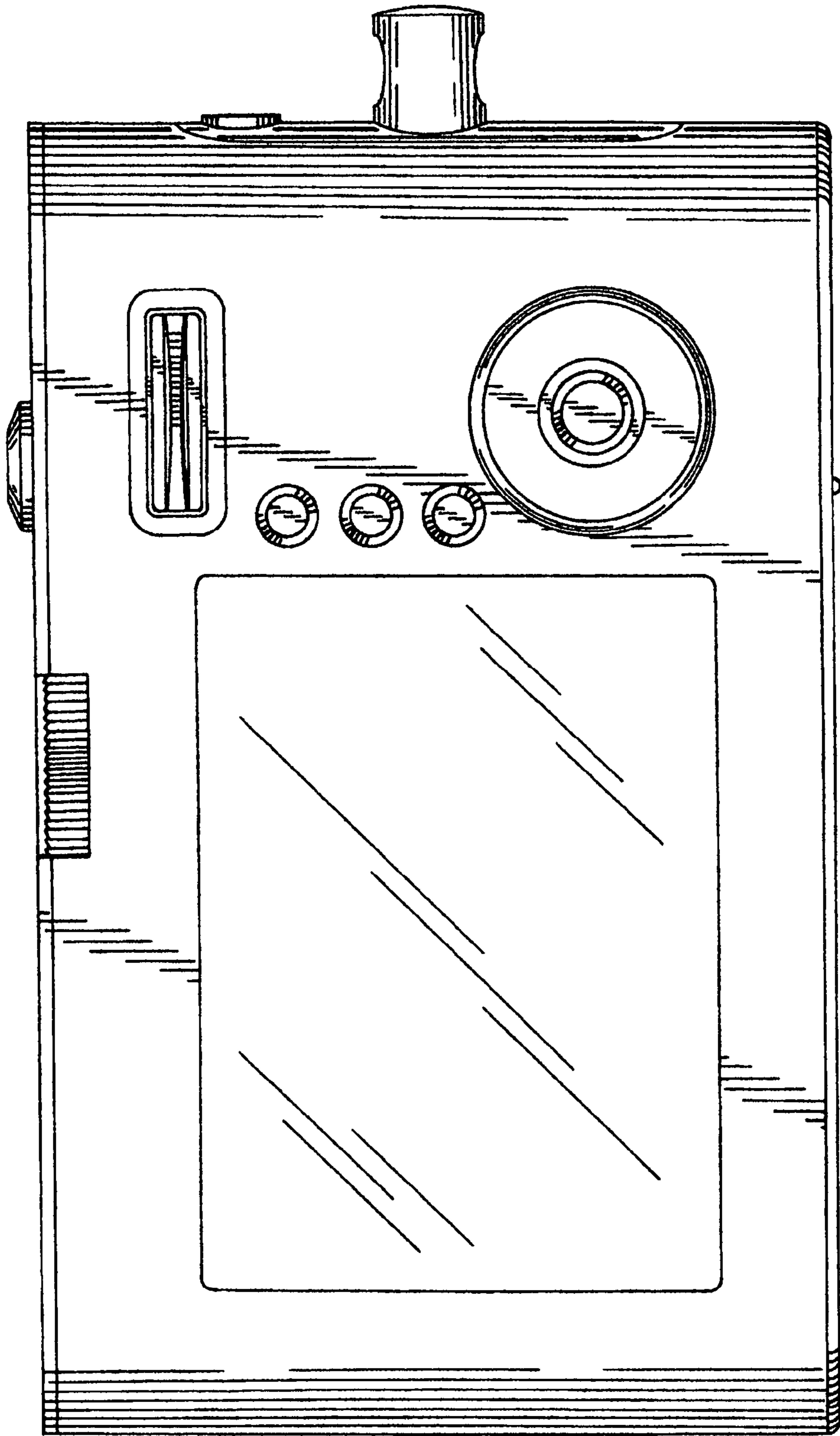


FIG. 3

FIG. 4

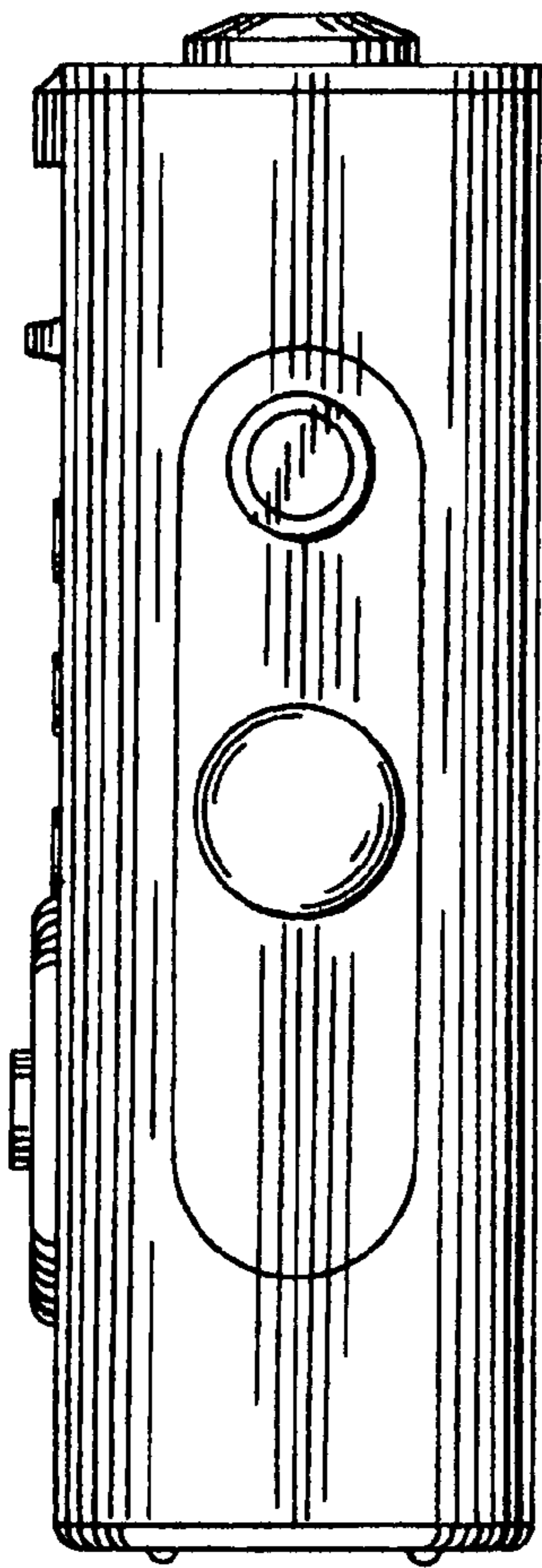


FIG. 5

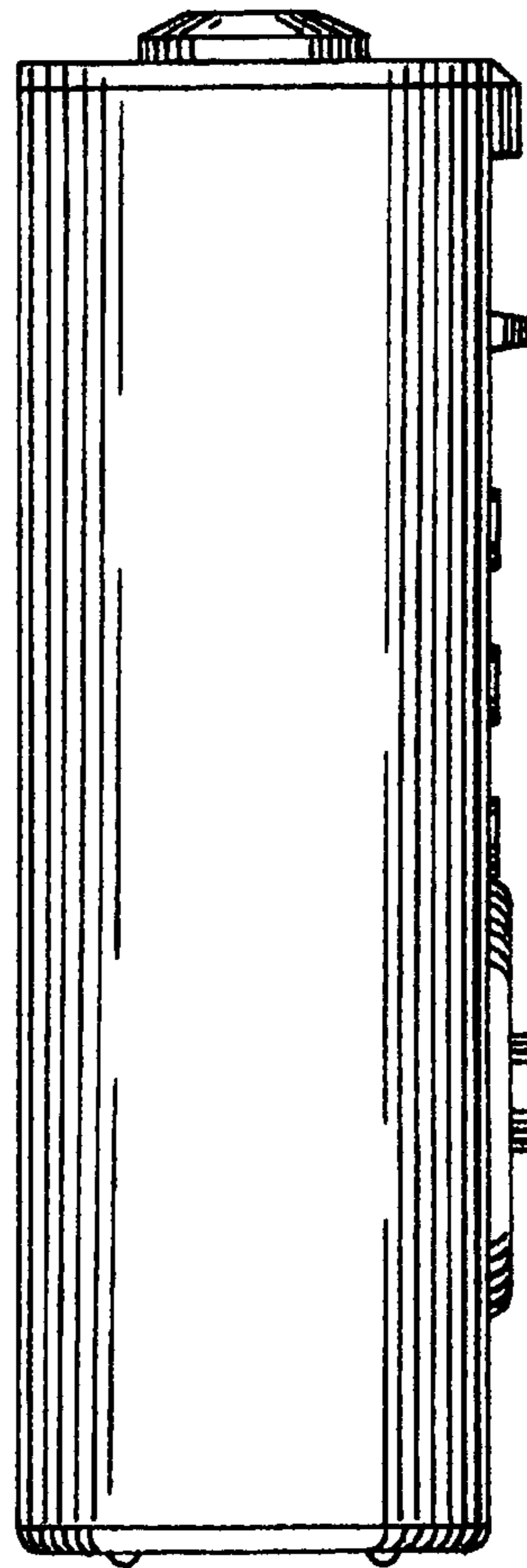


FIG. 6

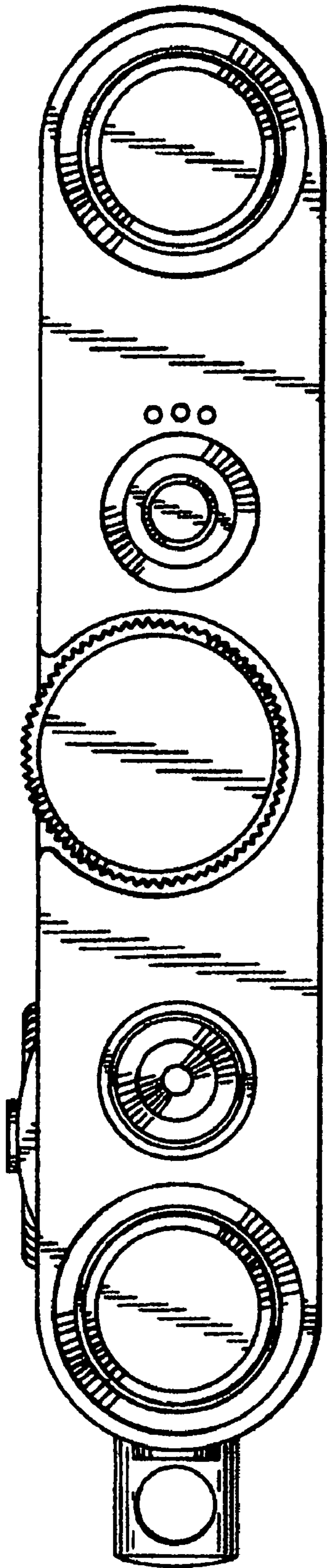


FIG. 7

