



US00D550741S

(12) **United States Design Patent**
Vernon

(10) **Patent No.:** **US D550,741 S**

(45) **Date of Patent:** **** Sep. 11, 2007**

(54) **COMBINED CAMERA AND ILLUMINATOR HOUSING**

(75) **Inventor:** **Mark Vernon**, Newcastle-on-Tyne (GB)

(73) **Assignee:** **Extreme CCTV International Inc.**, St. Michael (BB)

(**) **Term:** **14 Years**

(21) **Appl. No.:** **29/214,491**

(22) **Filed:** **Oct. 5, 2004**

(51) **LOC (8) Cl.** **16-01**

(52) **U.S. Cl.** **D16/208**

(58) **Field of Classification Search** D16/200, D16/201, 202, 203, 204, 208, 218; 348/162, 348/373; 362/16; 396/419, 425, 428, 535, 396/536-541

See application file for complete search history.

(56) **References Cited**

U.S. PATENT DOCUMENTS

- 2,290,793 A * 7/1942 Alderman 396/425
- 3,763,366 A * 10/1973 Bahnsen 362/16
- 4,019,042 A * 4/1977 Baliozian 362/16

- D459,379 S * 6/2002 Cheng D16/204
- 6,513,955 B1 * 2/2003 Waltz 362/16
- 6,776,539 B2 * 8/2004 Mulcahey 396/428
- 7,016,518 B2 * 3/2006 Vernon 382/105
- 7,034,927 B1 * 4/2006 Allen et al. 356/71
- 7,055,976 B2 * 6/2006 Blanford 362/16
- 2003/0093805 A1 * 5/2003 Gin 348/162

* cited by examiner

Primary Examiner—Adir Aronovich

(57) **CLAIM**

The ornamental design for a combined camera and illuminator housing, as shown.

DESCRIPTION

FIG. 1 is an isometric view of a combined camera and illuminator housing showing my new design;

FIG. 2 is a top view thereof;

FIG. 3 is right side view thereof;

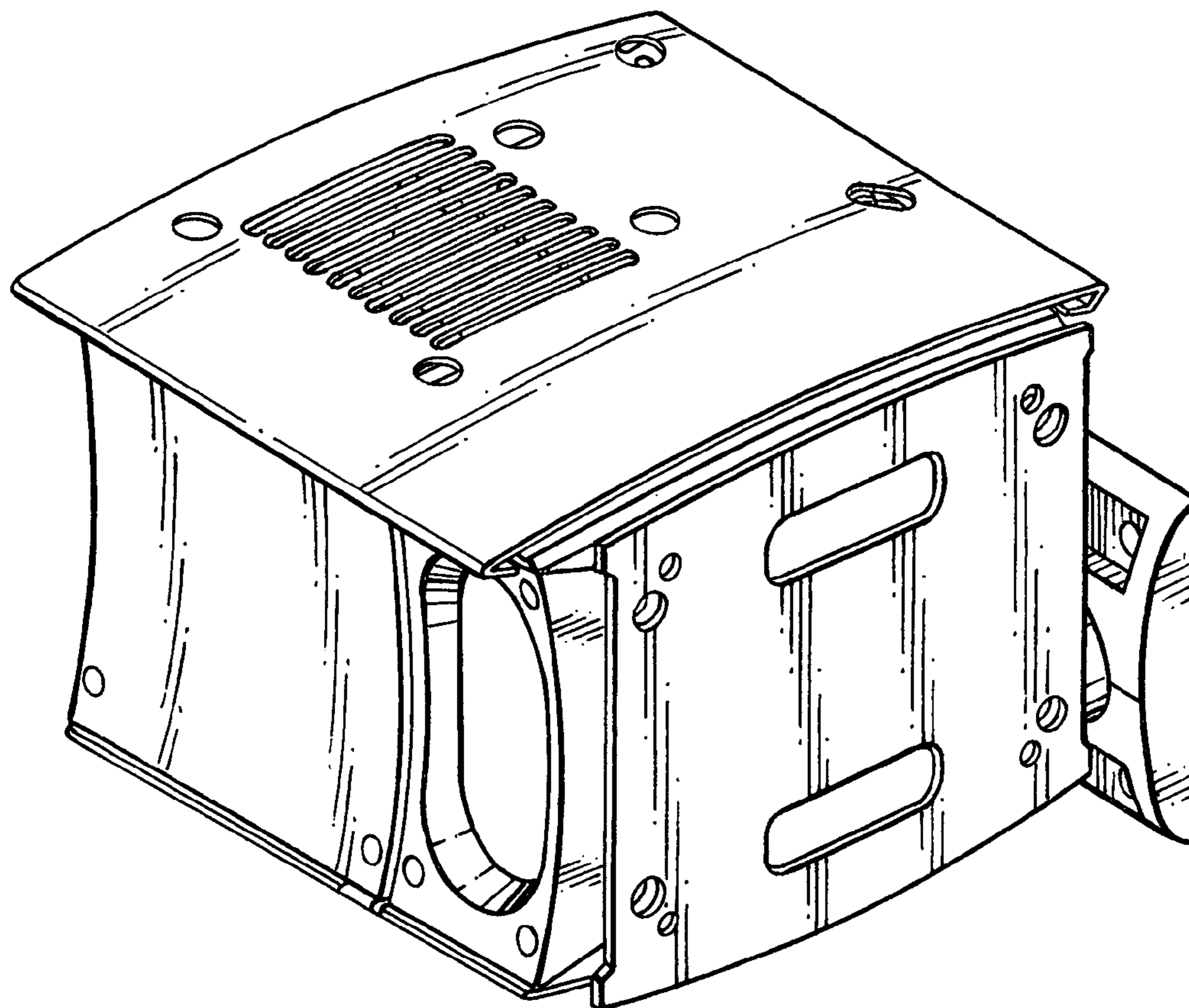
FIG. 4 is a bottom view thereof;

FIG. 5 is a left side view thereof;

FIG. 6 is a front view thereof; and,

FIG. 7 is a rear view thereof.

1 Claim, 4 Drawing Sheets



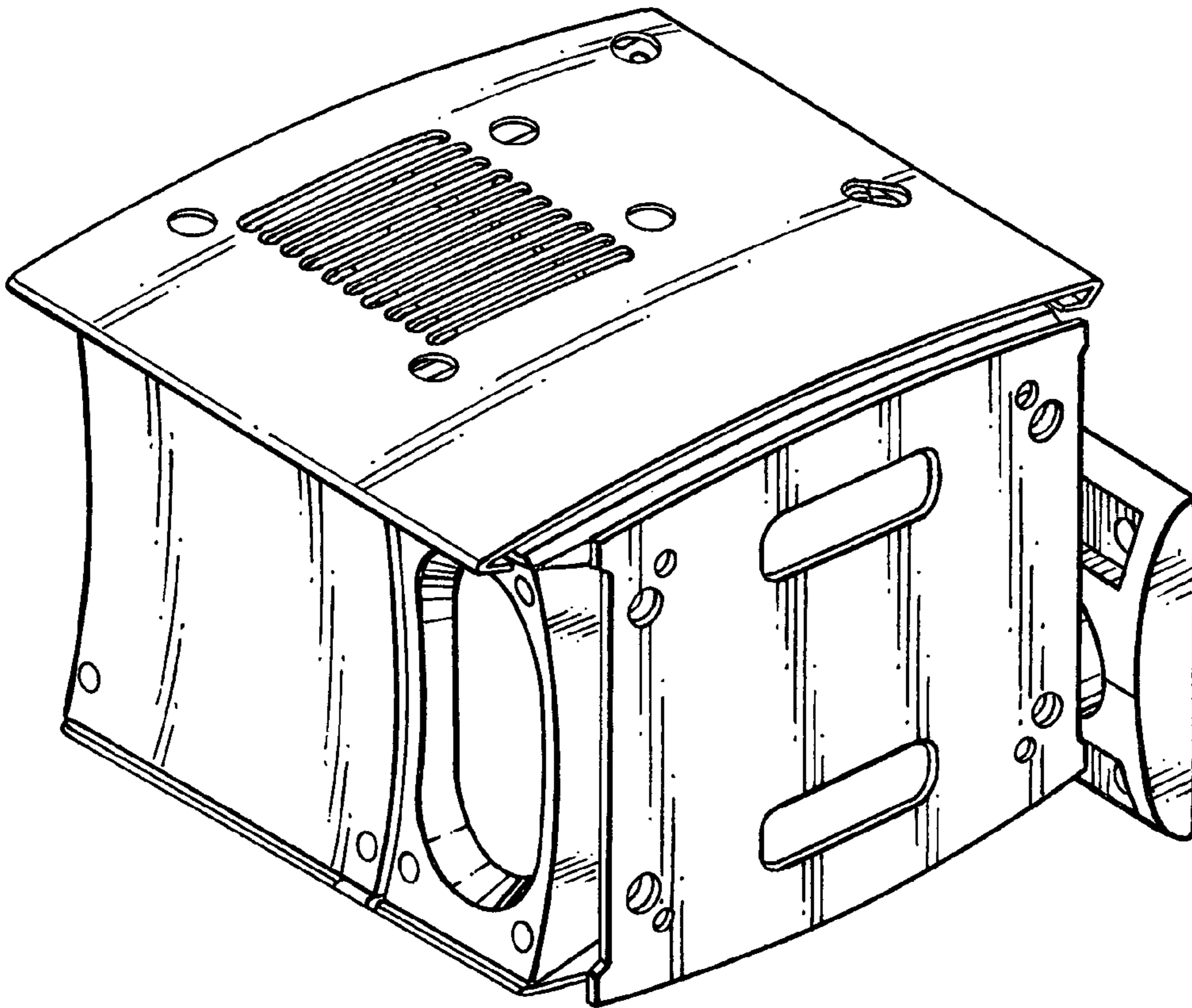


FIG. 1

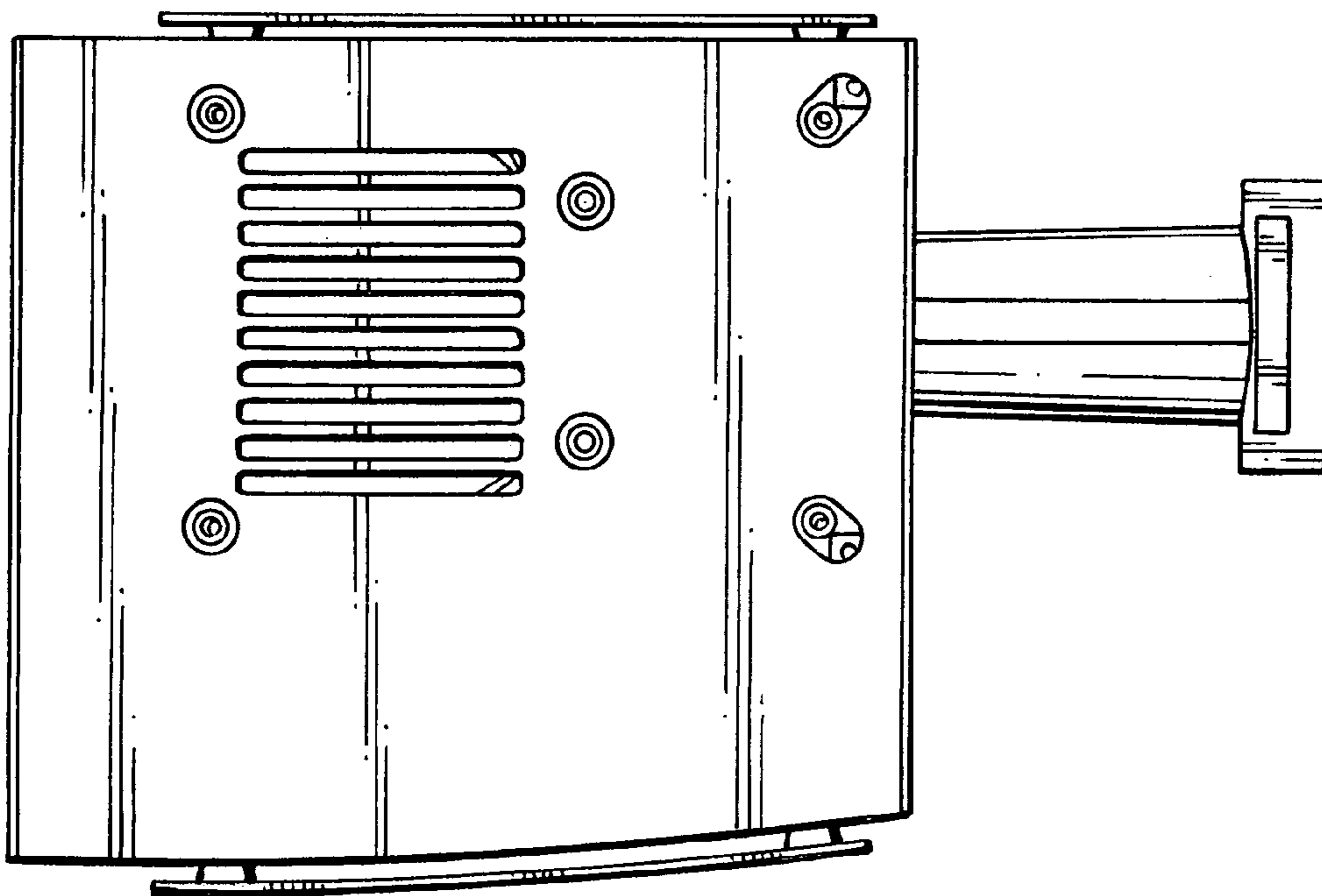


FIG. 2

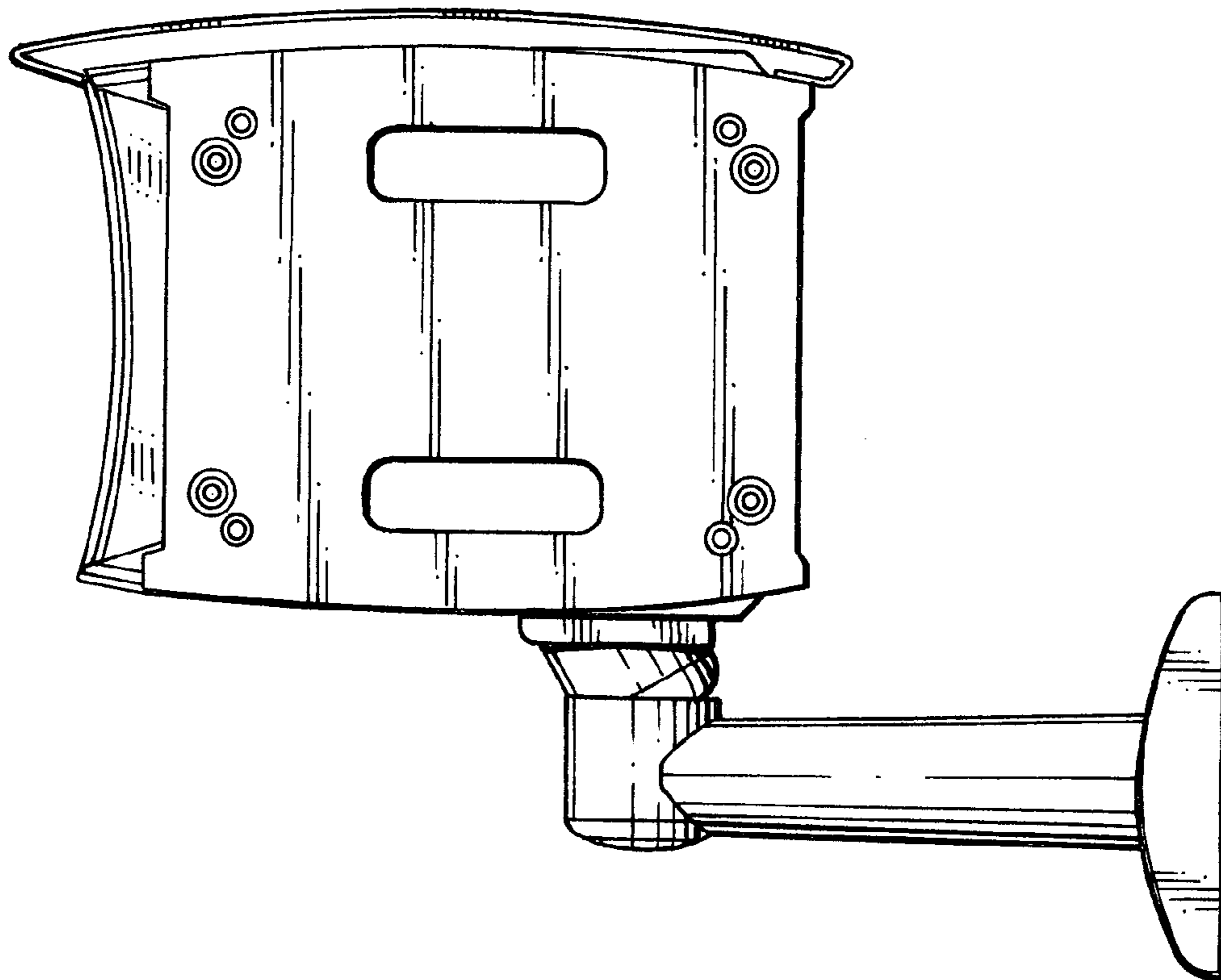


FIG. 3

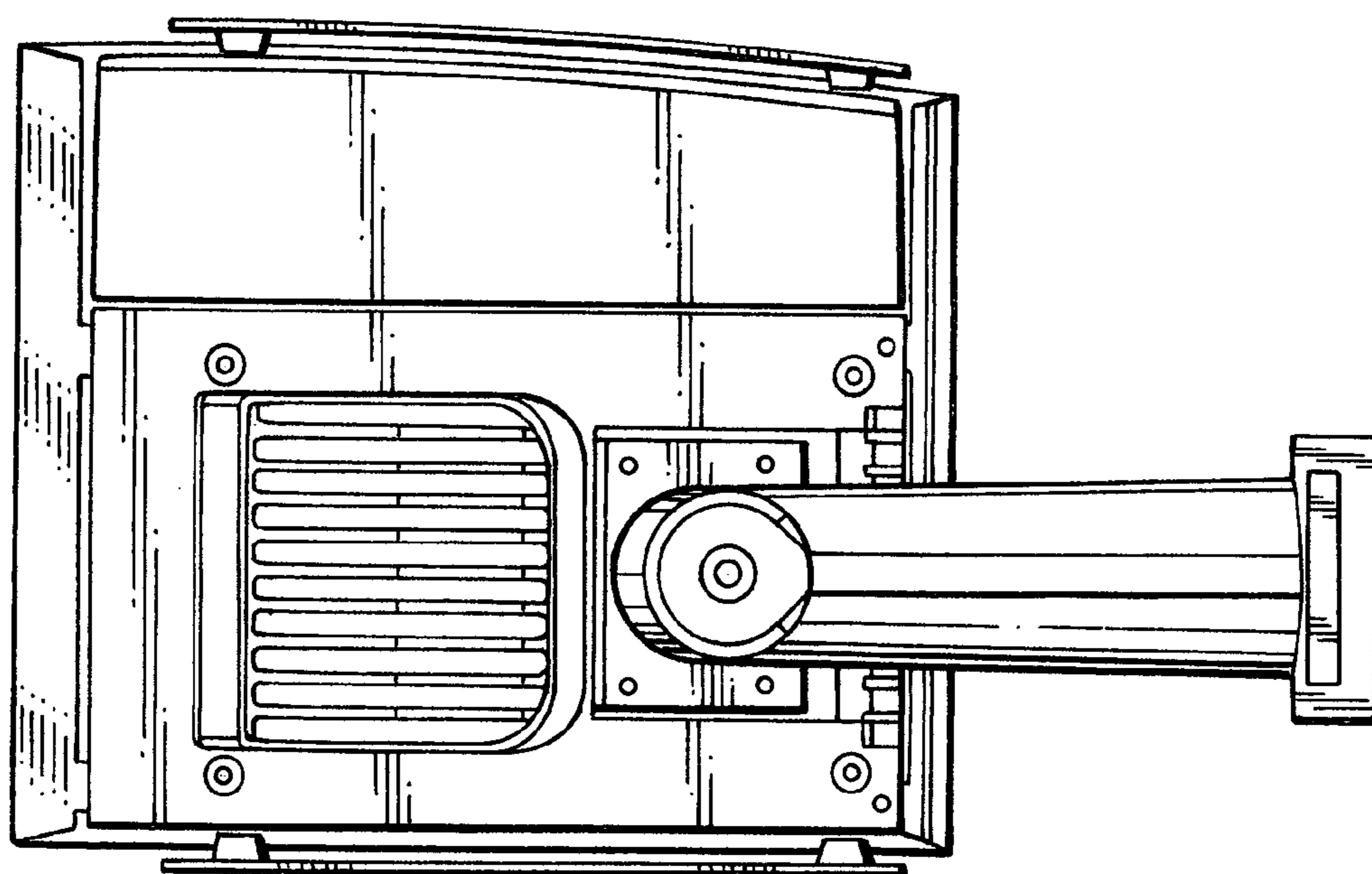


FIG. 4

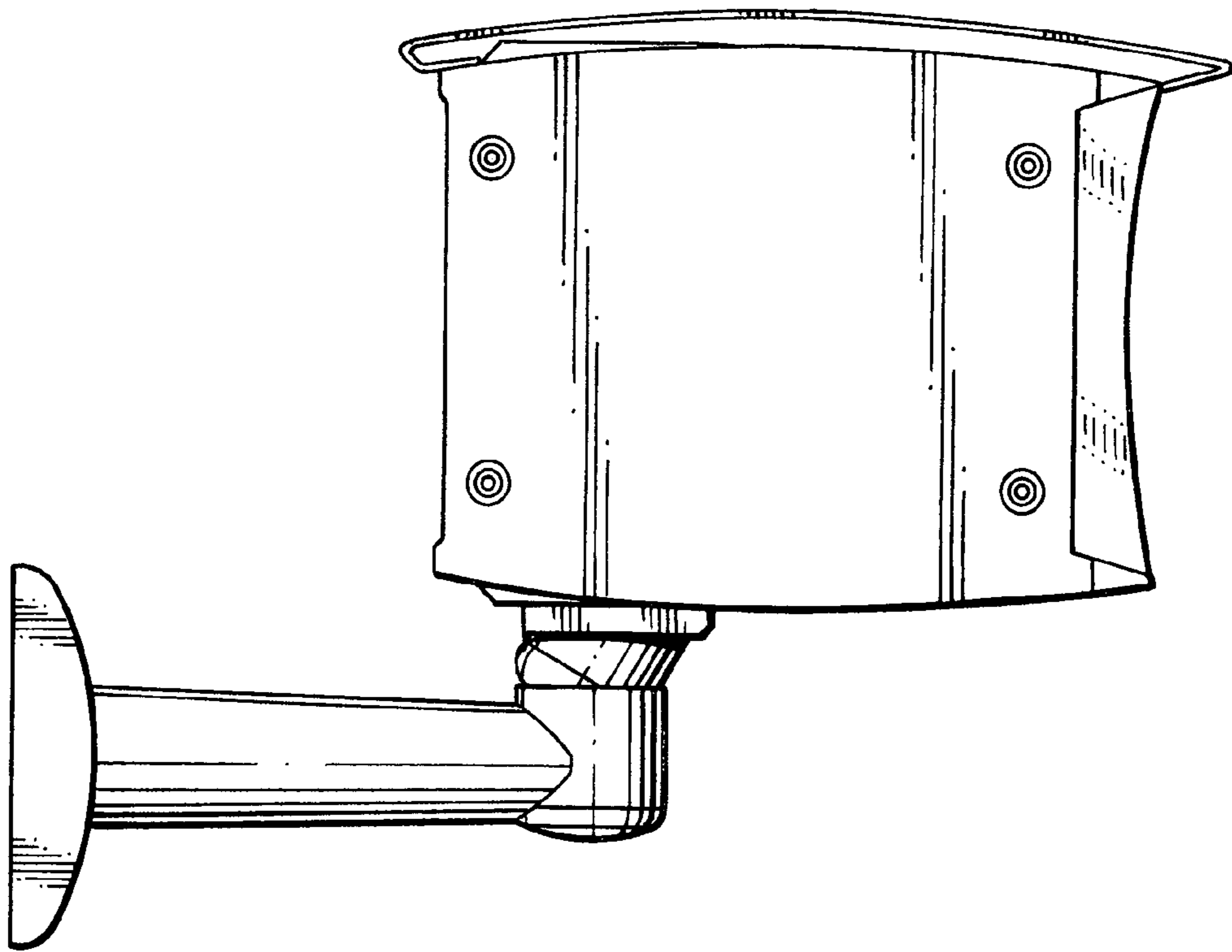


FIG. 5

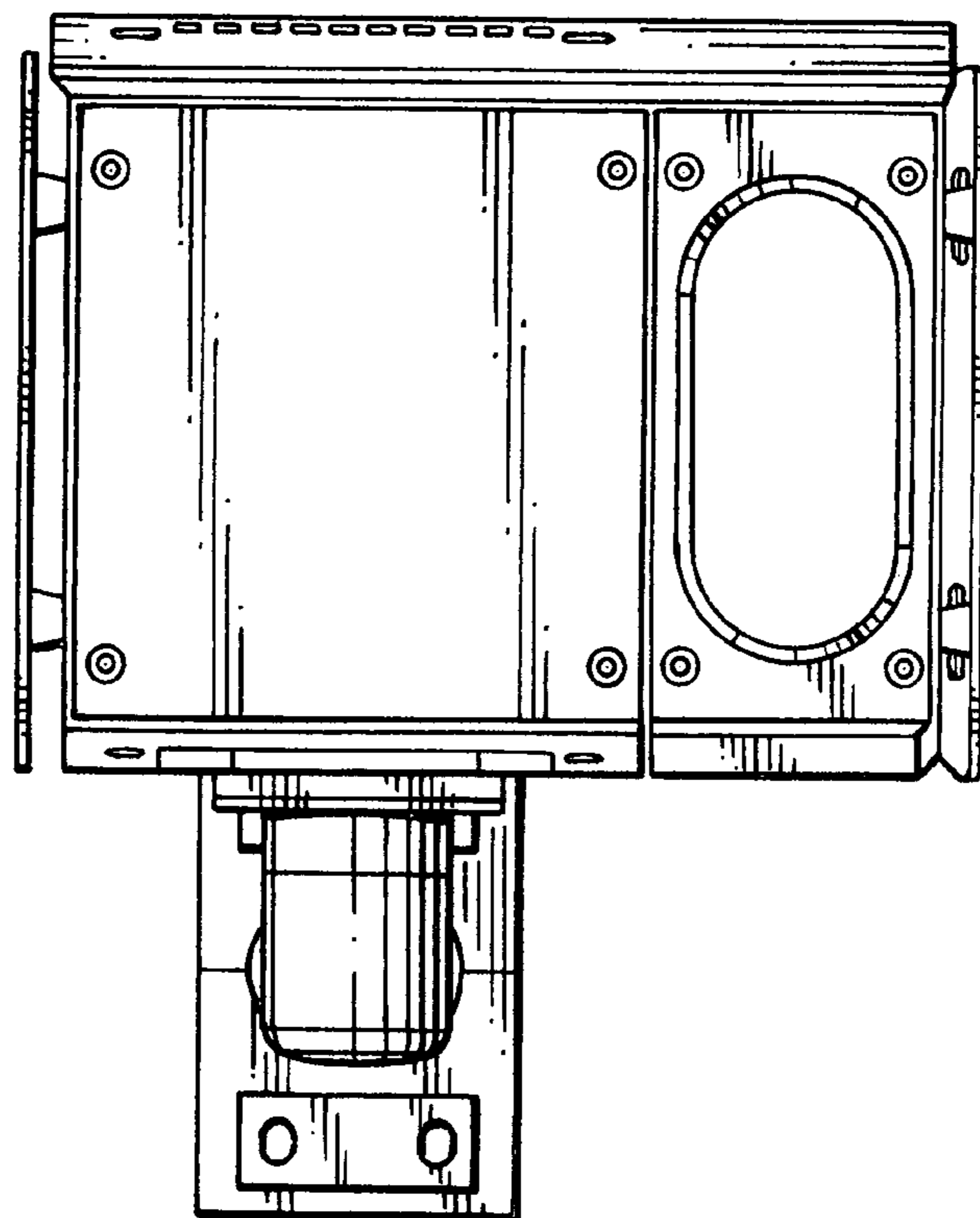


FIG. 6

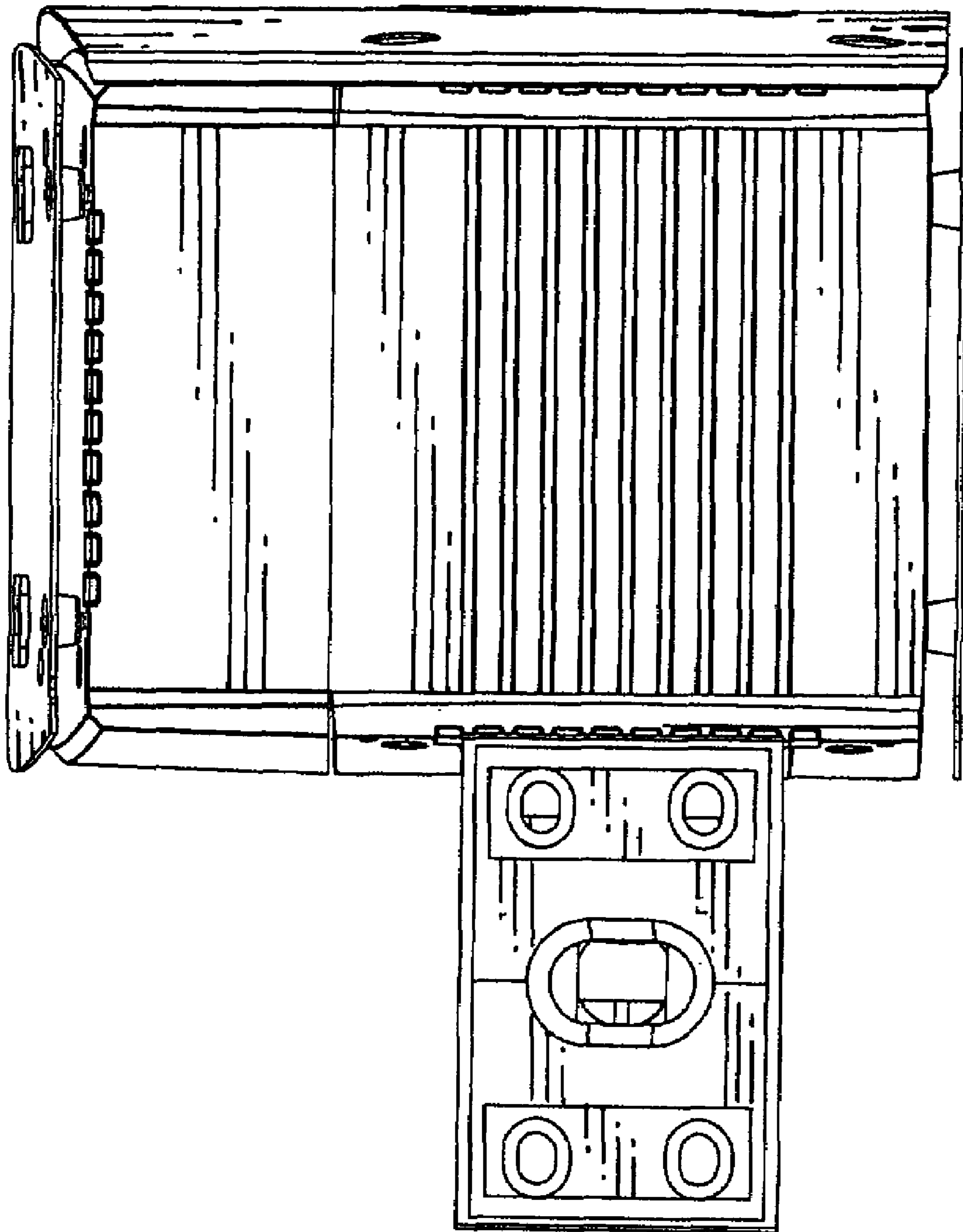


FIG. 7