



US00D550740S

(12) **United States Design Patent**
Satoh et al.

(10) **Patent No.:** **US D550,740 S**

(45) **Date of Patent:** **** Sep. 11, 2007**

(54) **SURVEILLANCE CAMERA**

(75) Inventors: **Juli Satoh**, Los Banos, CA (US); **Tua M. Yang**, Fresno, CA (US); **David Toste**, Fresno, CA (US)

(73) Assignee: **Pelco**, Clovis, CA (US)

(**) Term: **14 Years**

(21) Appl. No.: **29/262,936**

(22) Filed: **Jul. 13, 2006**

(51) **LOC (8) Cl.** **16-01**

(52) **U.S. Cl.** **D16/203**

(58) **Field of Classification Search** D16/200–206,
D16/208, 218; 348/143, 151, 373–376; 358/906;
396/427, 428, 535–541

See application file for complete search history.

(56) **References Cited**

U.S. PATENT DOCUMENTS

3,613,538 A * 10/1971 Horberg, Jr. 396/427
5,115,263 A * 5/1992 Bernhardt et al. 386/535
D387,791 S 12/1997 Wen
D446,534 S 8/2001 Zimmer
D458,622 S * 6/2002 Nagase D16/203

6,540,415 B1 * 4/2003 Slatter et al. 396/428
D474,489 S 5/2003 Kawashima
6,674,476 B1 1/2004 Suzuki
D494,991 S * 8/2004 Yatabe D16/202
D506,489 S * 6/2005 Owada D16/203
2004/0095506 A1 5/2004 Scott

* cited by examiner

Primary Examiner—Adir Aronovich

(74) *Attorney, Agent, or Firm*—Paul T. Kashimba, Esq.

(57) **CLAIM**

The ornamental design for a surveillance camera, as shown.

DESCRIPTION

FIG. 1 is a top perspective view of a surveillance camera showing our new design;

FIG. 2 is a front elevational view thereof;

FIG. 3 is a rear elevational view thereof;

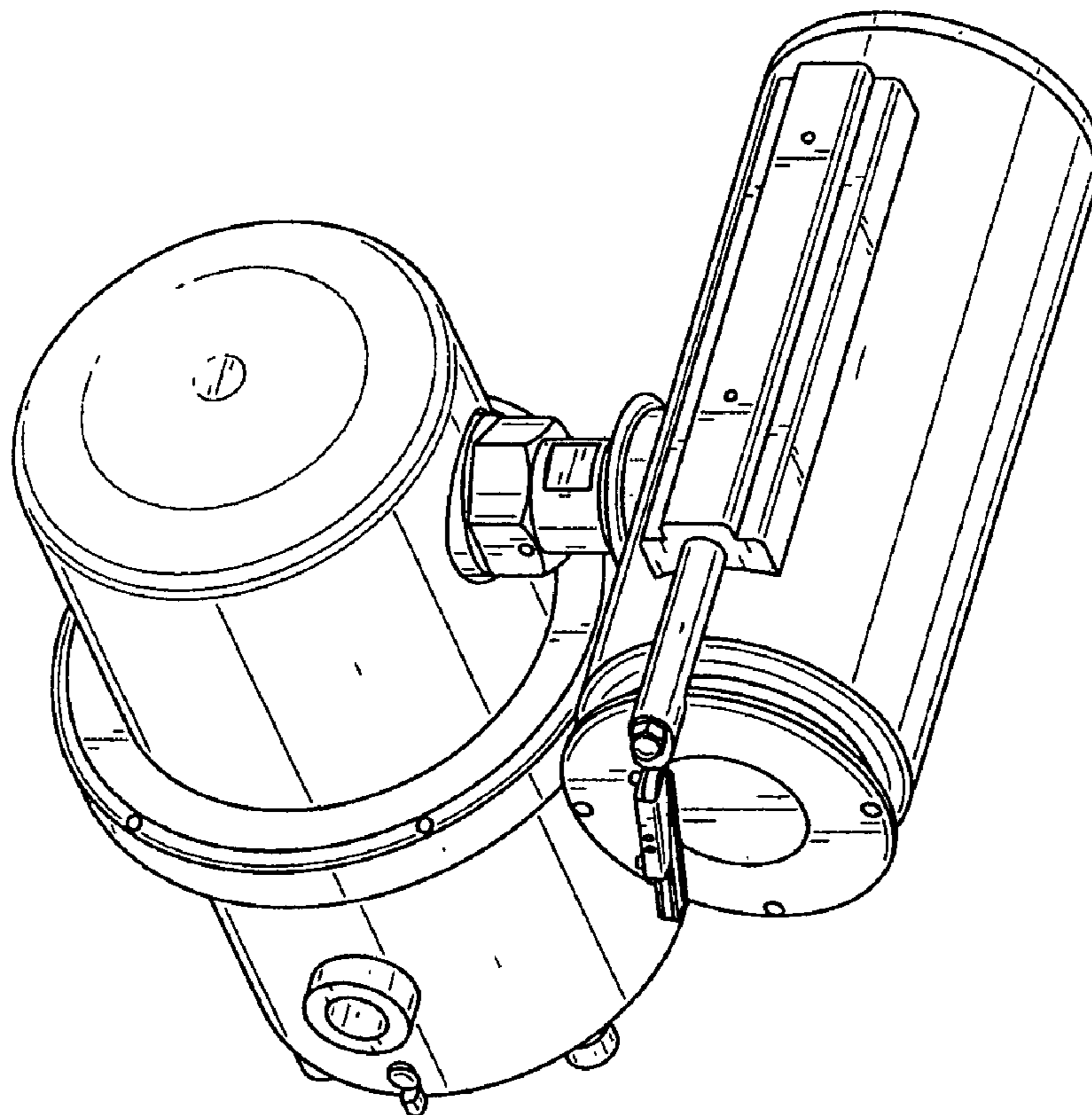
FIG. 4 is a right side elevational view thereof;

FIG. 5 is a left side elevational view thereof;

FIG. 6 is a top plan view thereof; and,

FIG. 7 is a bottom plan view thereof.

1 Claim, 4 Drawing Sheets



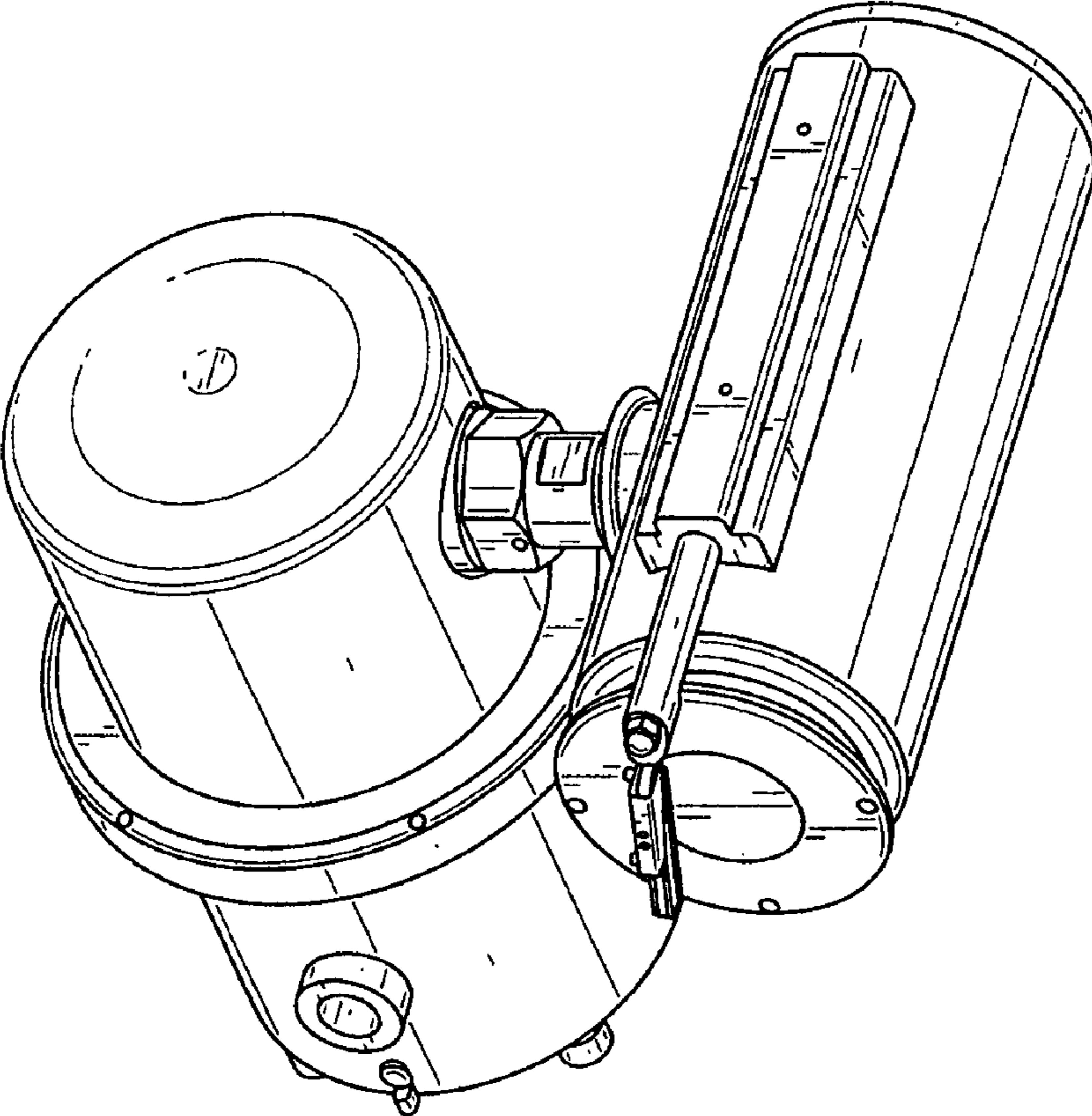


FIG. 1

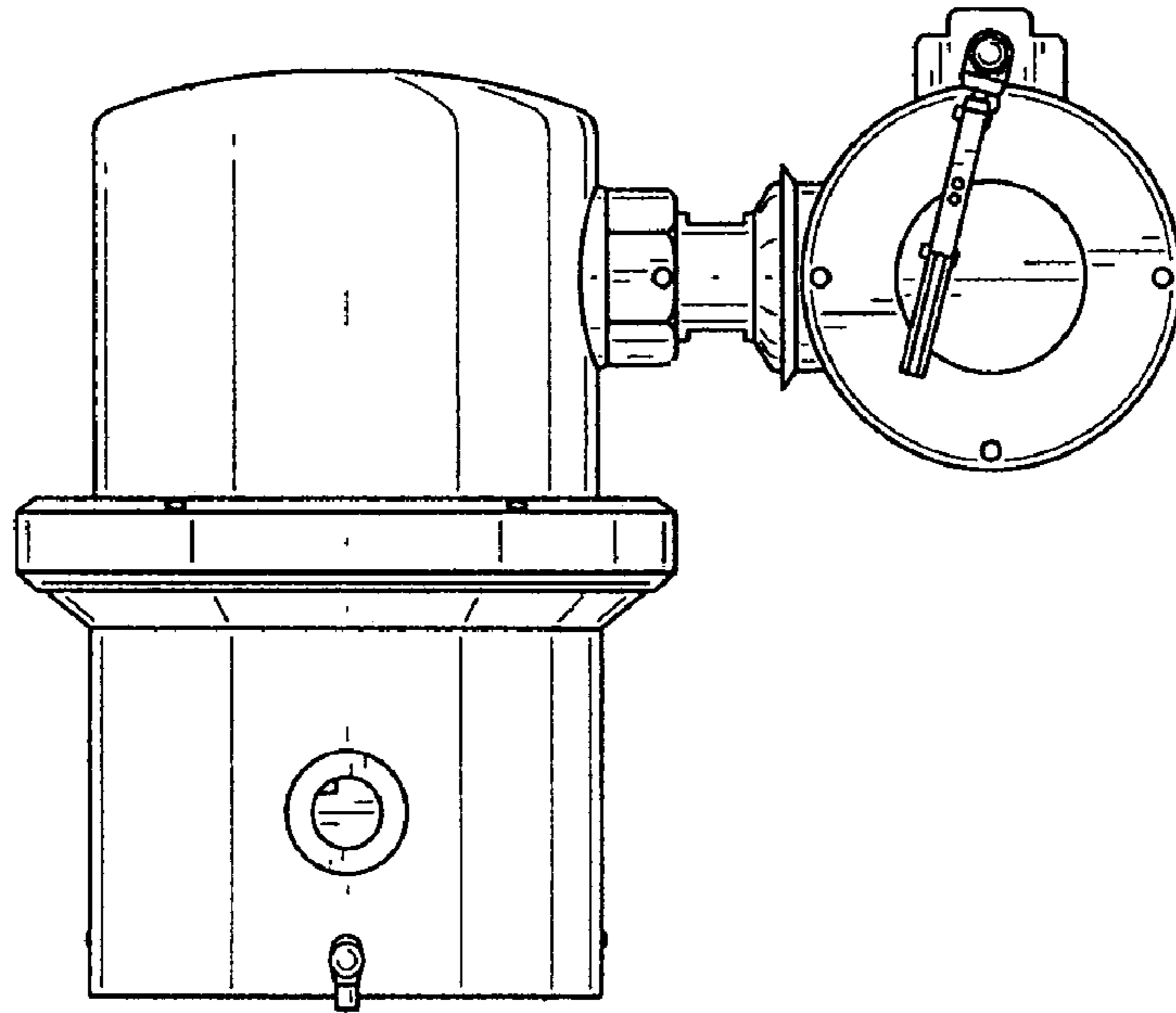


FIG. 2

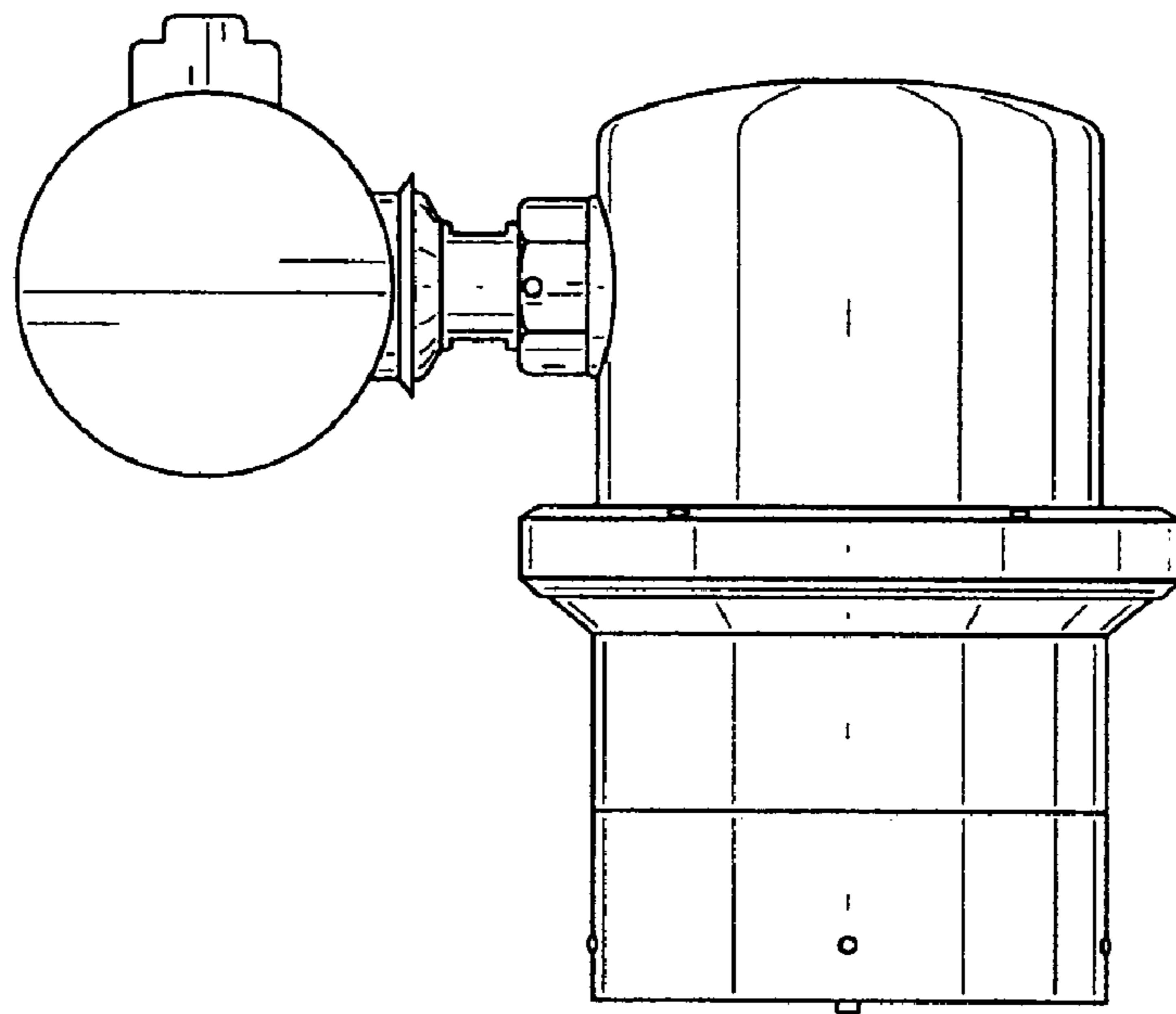


FIG. 3

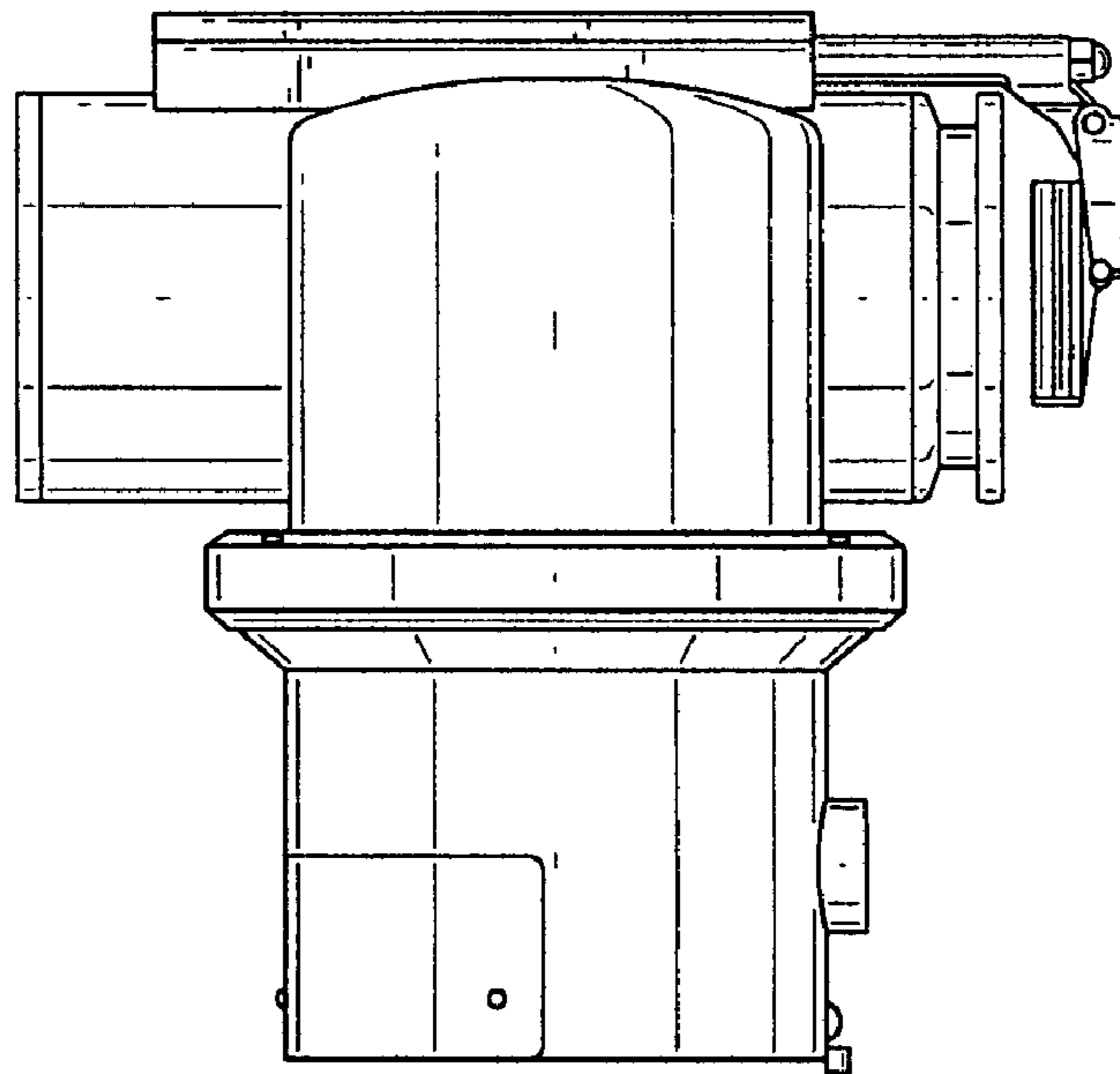


FIG. 4

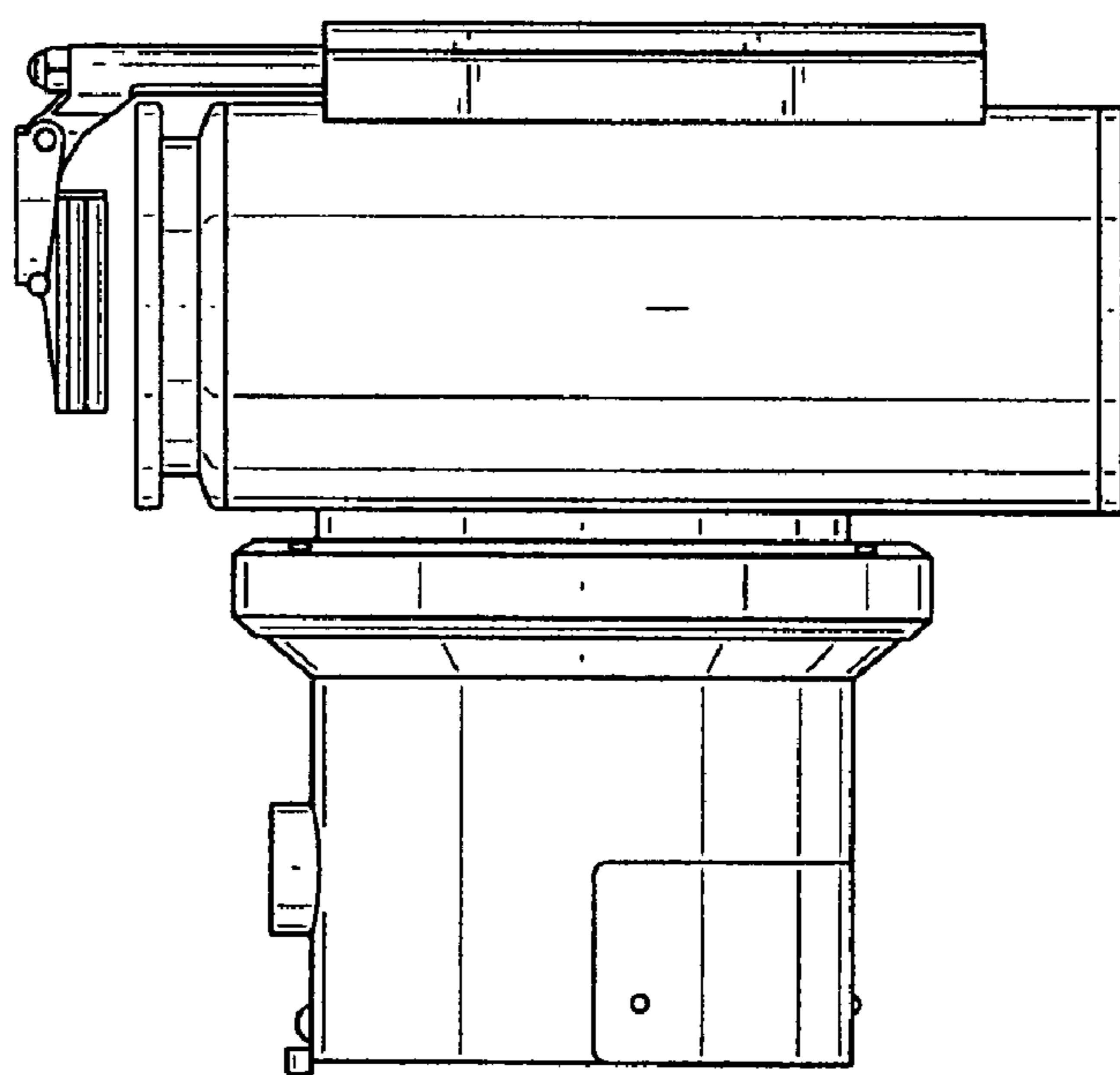


FIG. 5

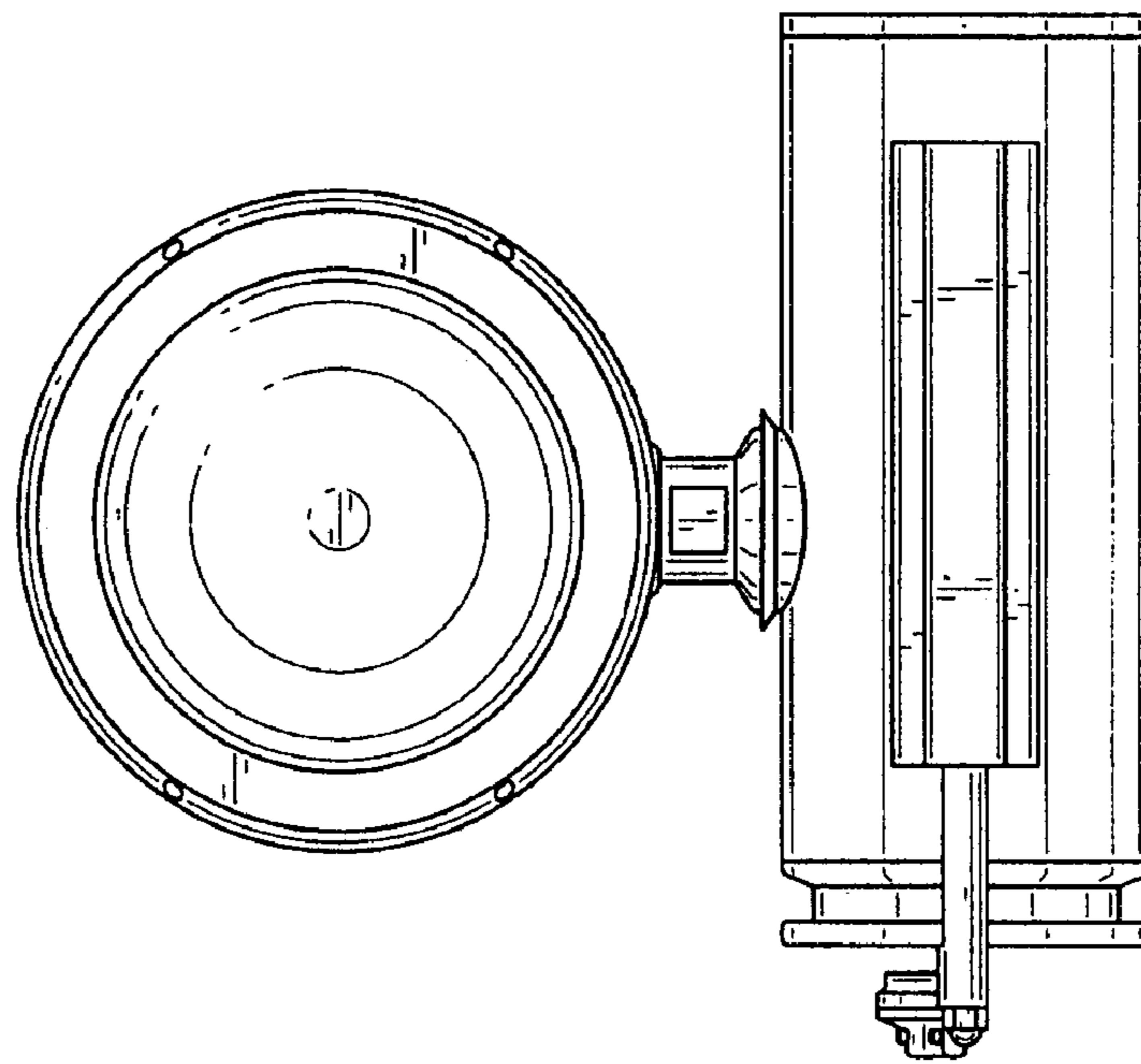


FIG. 6

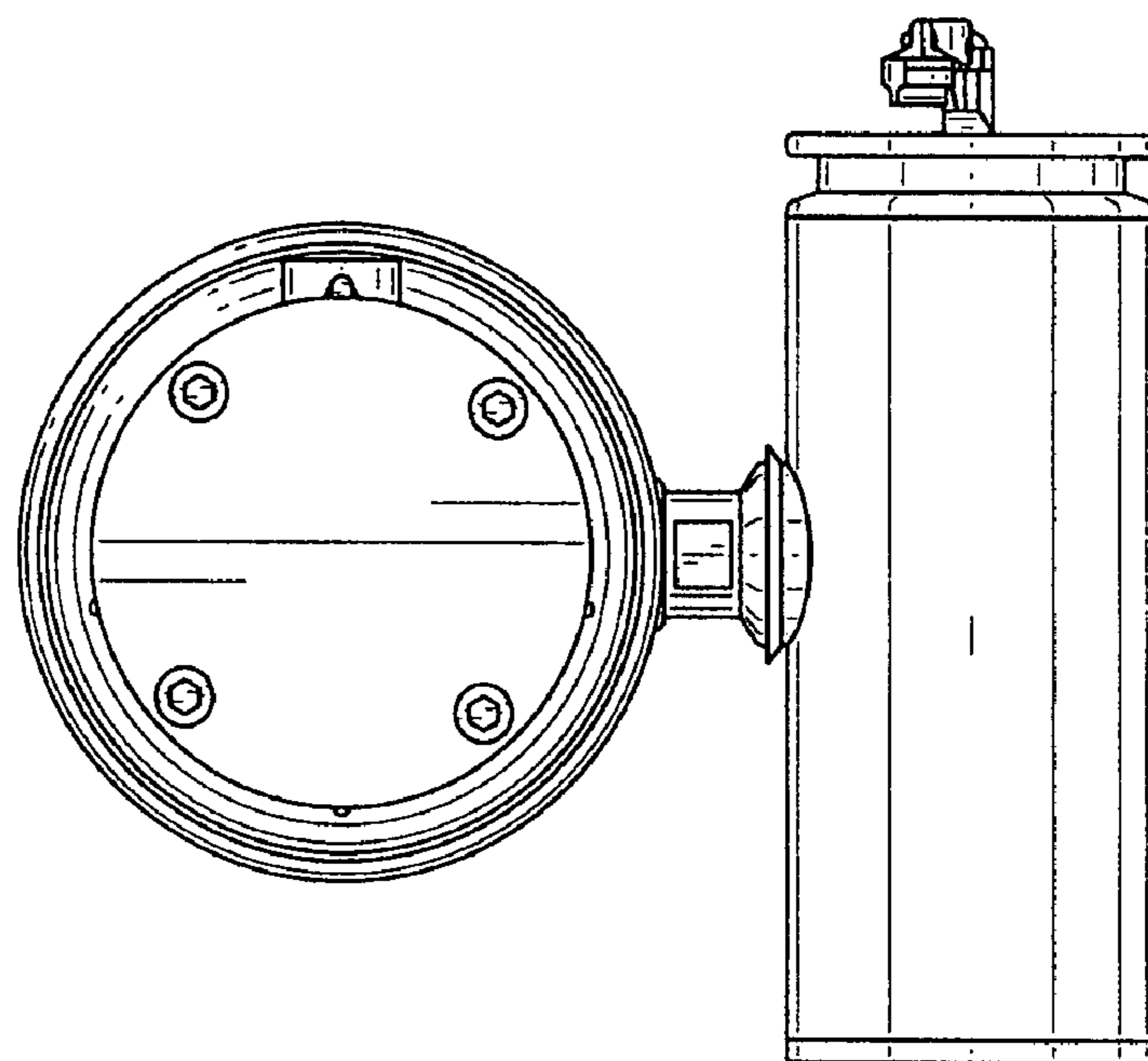


FIG. 7