



US00D550739S

(12) **United States Design Patent**  
**Deng**

(10) **Patent No.:** **US D550,739 S**

(45) **Date of Patent:** **\*\* Sep. 11, 2007**

(54) **VIDEO CAMERA**

(76) Inventor: **Mingsheng Deng**, 1804 Huafeng  
Mansion, No. 6006 Shennan Rd., Futian  
District, Shenzhen (CN)

(\*\*) Term: **14 Years**

(21) Appl. No.: **29/253,937**

(22) Filed: **Feb. 16, 2006**

(51) **LOC (8) Cl.** ..... **16-01**

(52) **U.S. Cl.** ..... **D16/203; D16/242**

(58) **Field of Classification Search** ..... D16/200–204,  
D16/208, 218, 242; 224/908; 248/187.1;  
348/373–376; 358/906; 396/419, 425, 427,  
396/428, 536–541, 544

See application file for complete search history.

(56) **References Cited**

**U.S. PATENT DOCUMENTS**

|                |        |                  |       |         |
|----------------|--------|------------------|-------|---------|
| D220,406 S *   | 4/1971 | Hardy            | ..... | D16/203 |
| 3,608,794 A *  | 9/1971 | Maure            | ..... | 396/425 |
| 5,032,919 A *  | 7/1991 | Randmae          | ..... | 348/374 |
| D339,365 S *   | 9/1993 | Urcuilio         | ..... | D16/203 |
| D339,600 S *   | 9/1993 | Sumrall          | ..... | D16/242 |
| 6,229,961 B1 * | 5/2001 | Torikoshi et al. | ..... | 396/544 |

|                |         |                |       |         |
|----------------|---------|----------------|-------|---------|
| D465,504 S *   | 11/2002 | Van Klinken    | ..... | D16/203 |
| 6,705,774 B2 * | 3/2004  | Tashiro et al. | ..... | 396/427 |
| D504,904 S *   | 5/2005  | Nagai et al.   | ..... | D16/203 |

\* cited by examiner

*Primary Examiner*—Adir Aronovich

(74) *Attorney, Agent, or Firm*—Raymond Y. Chan; David  
and Raymond Patent Group

(57) **CLAIM**

The ornamental design for a video camera, as shown.

**DESCRIPTION**

FIG. 1 is a top, front and left side perspective view of a video camera showing my new design.

FIG. 2 is a front view thereof.

FIG. 3 is a rear view thereof.

FIG. 4 is a right side view thereof.

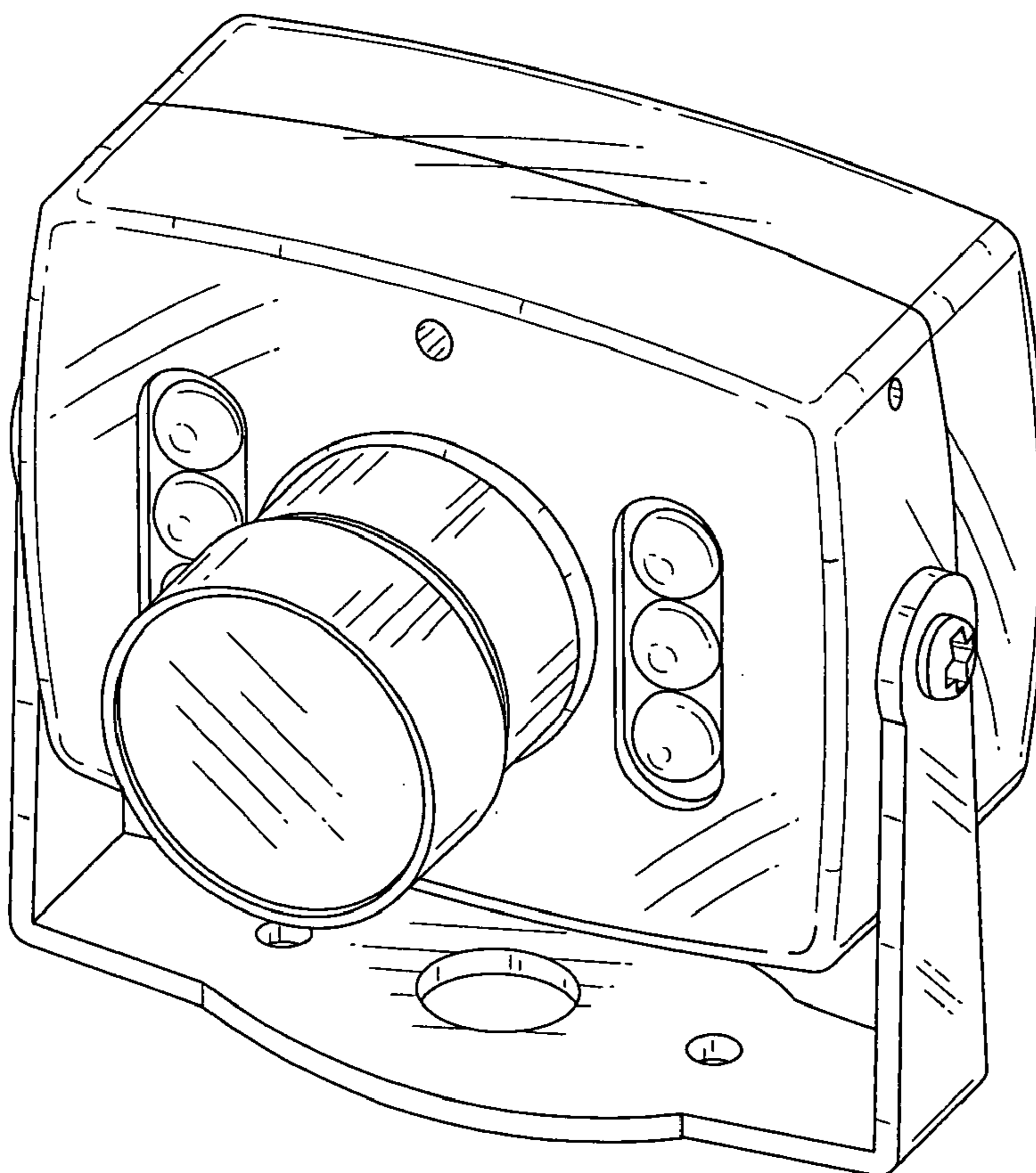
FIG. 5 is a left side view thereof.

FIG. 6 is a top view thereof.

FIG. 7 is a bottom view thereof; and,

FIG. 8 is a top, front and left side perspective view thereof with a lens cover removed.

**1 Claim, 8 Drawing Sheets**



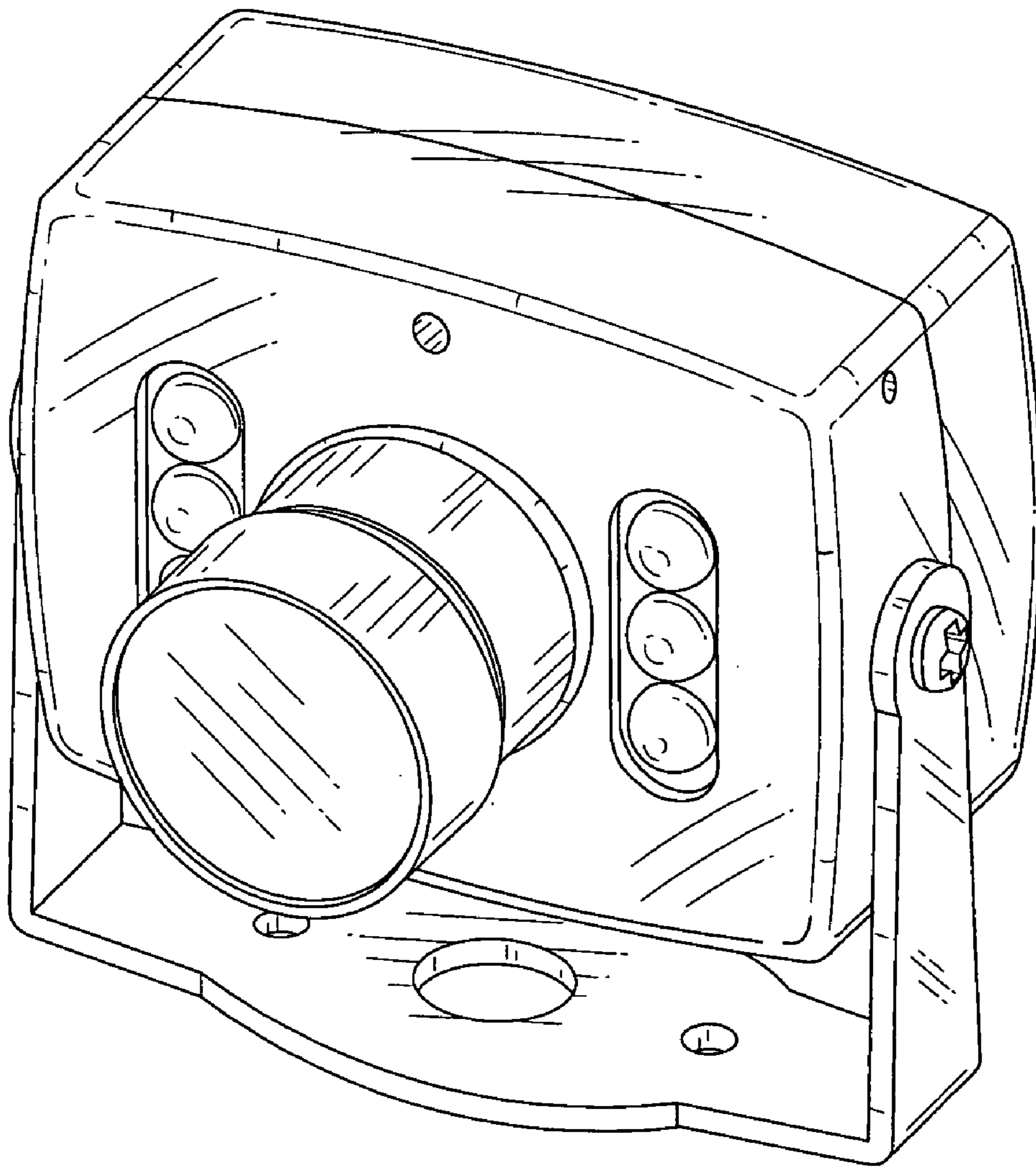


FIG. 1

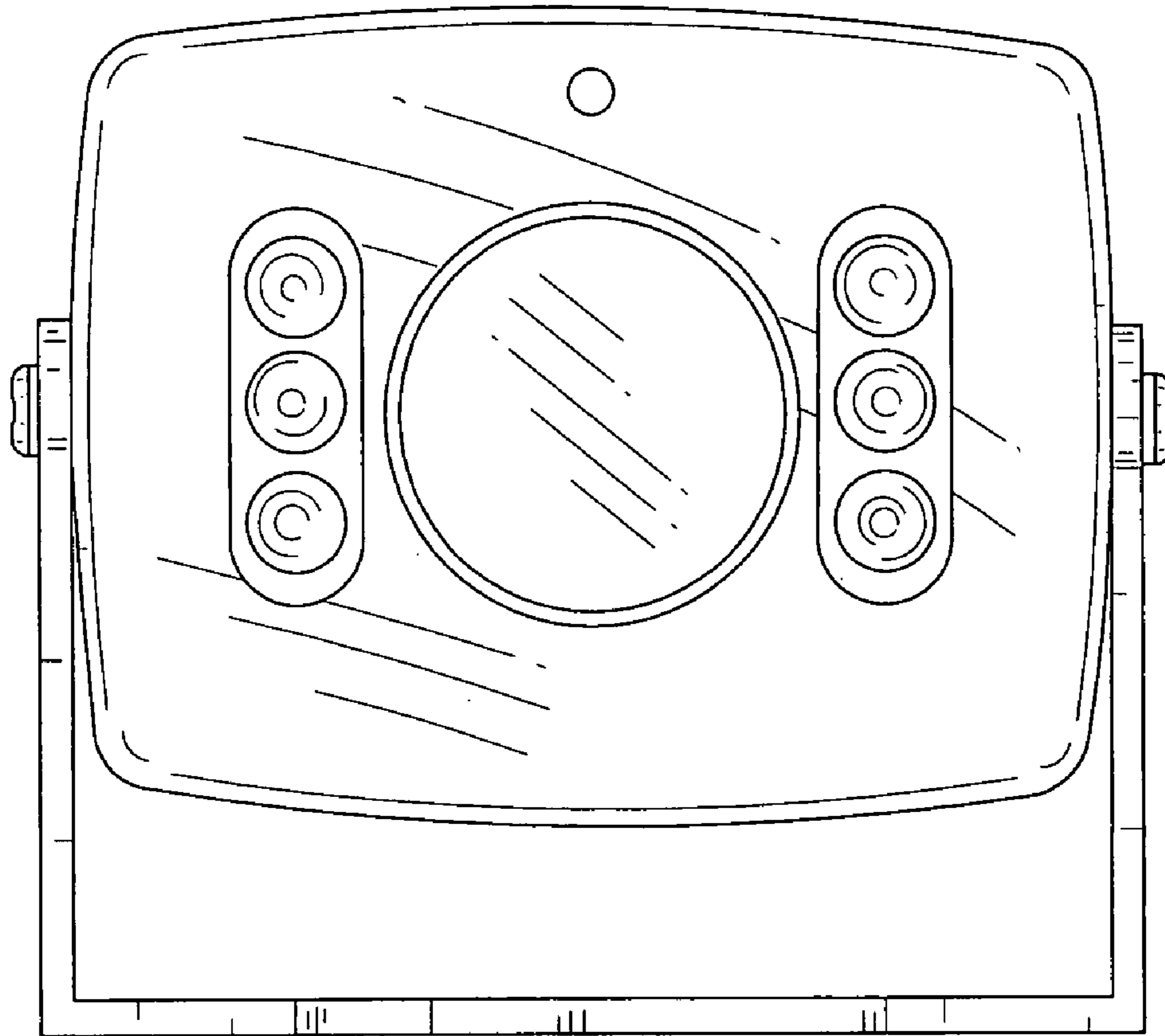


FIG.2

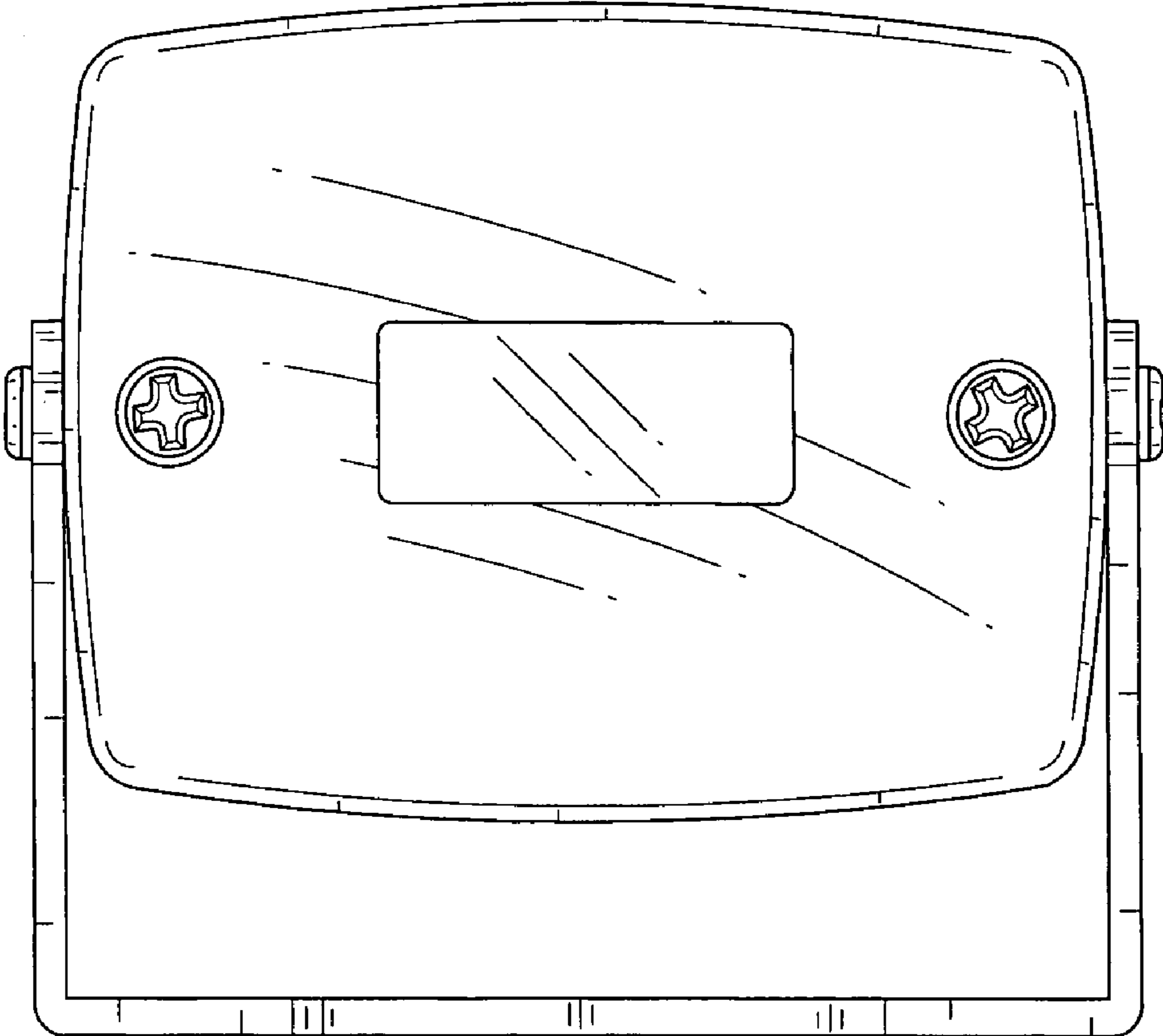


FIG.3

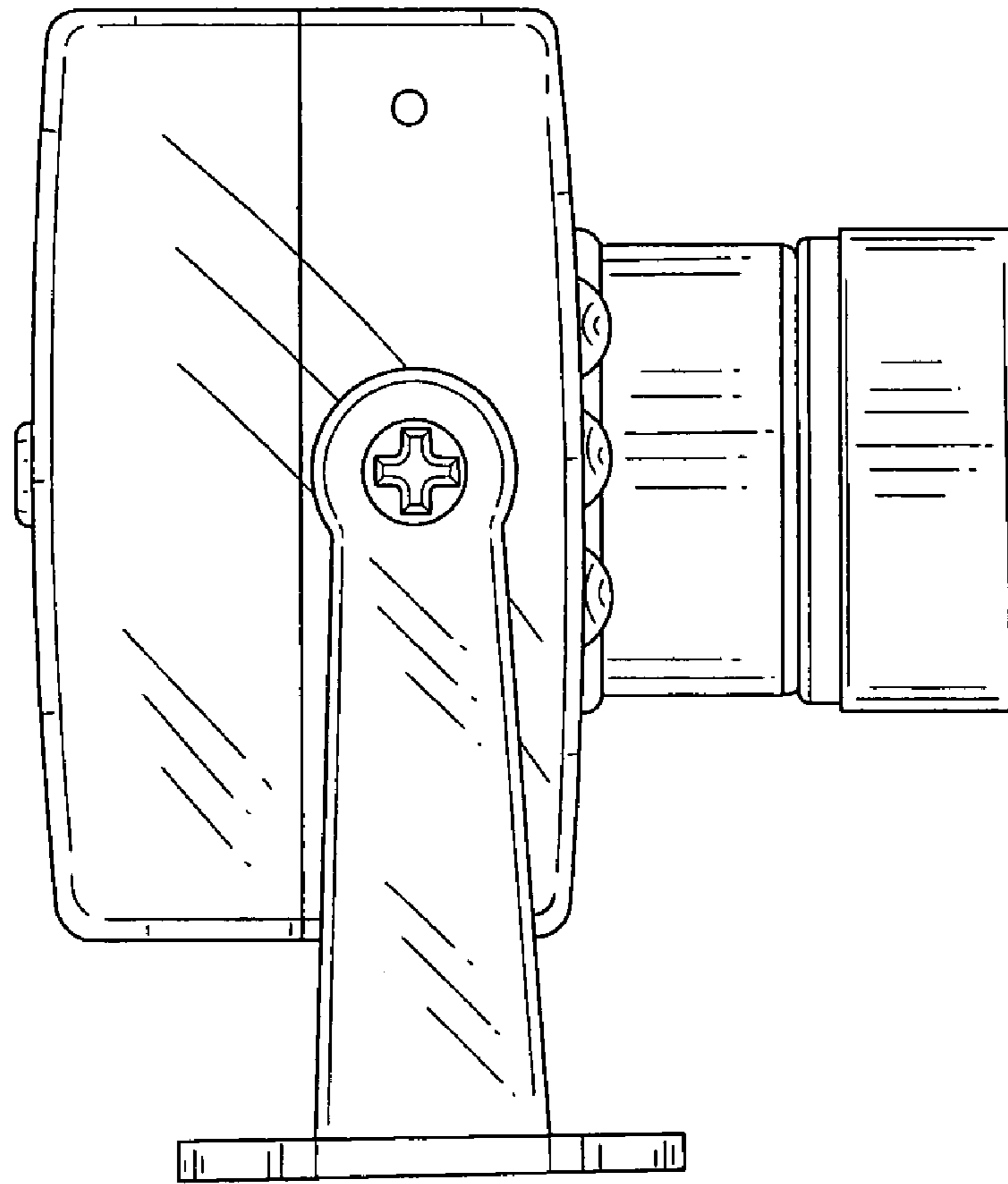


FIG.4

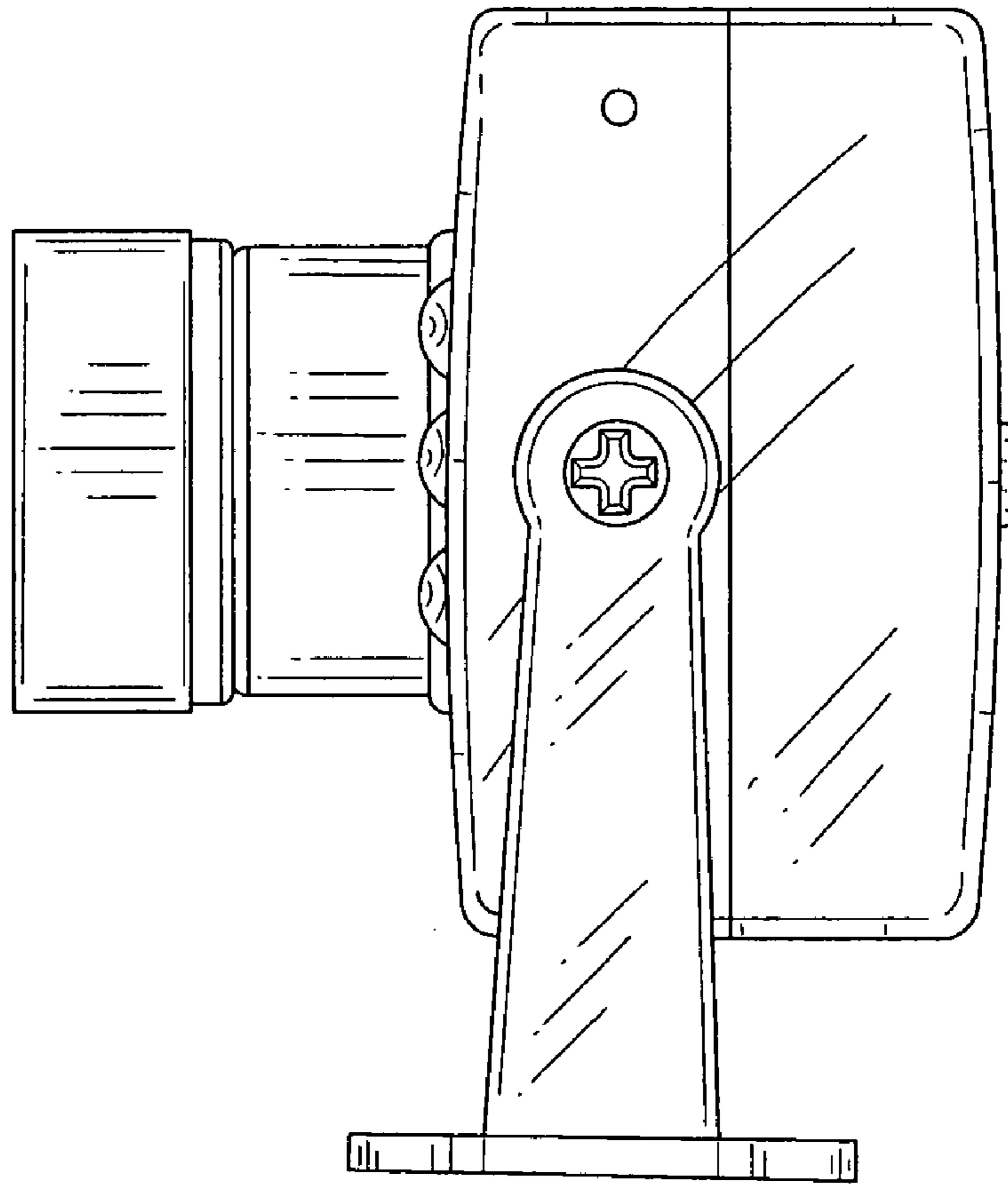


FIG.5

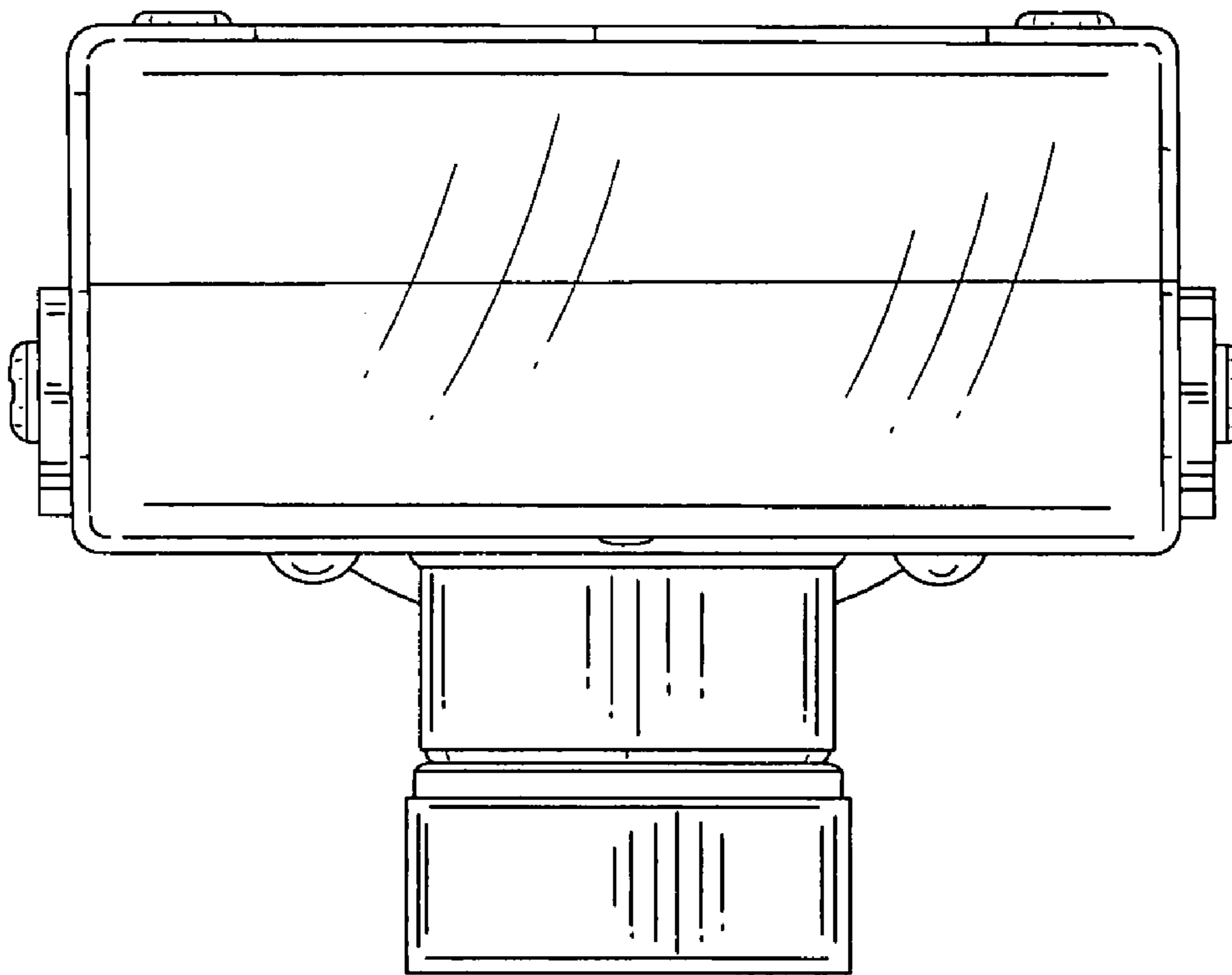


FIG.6

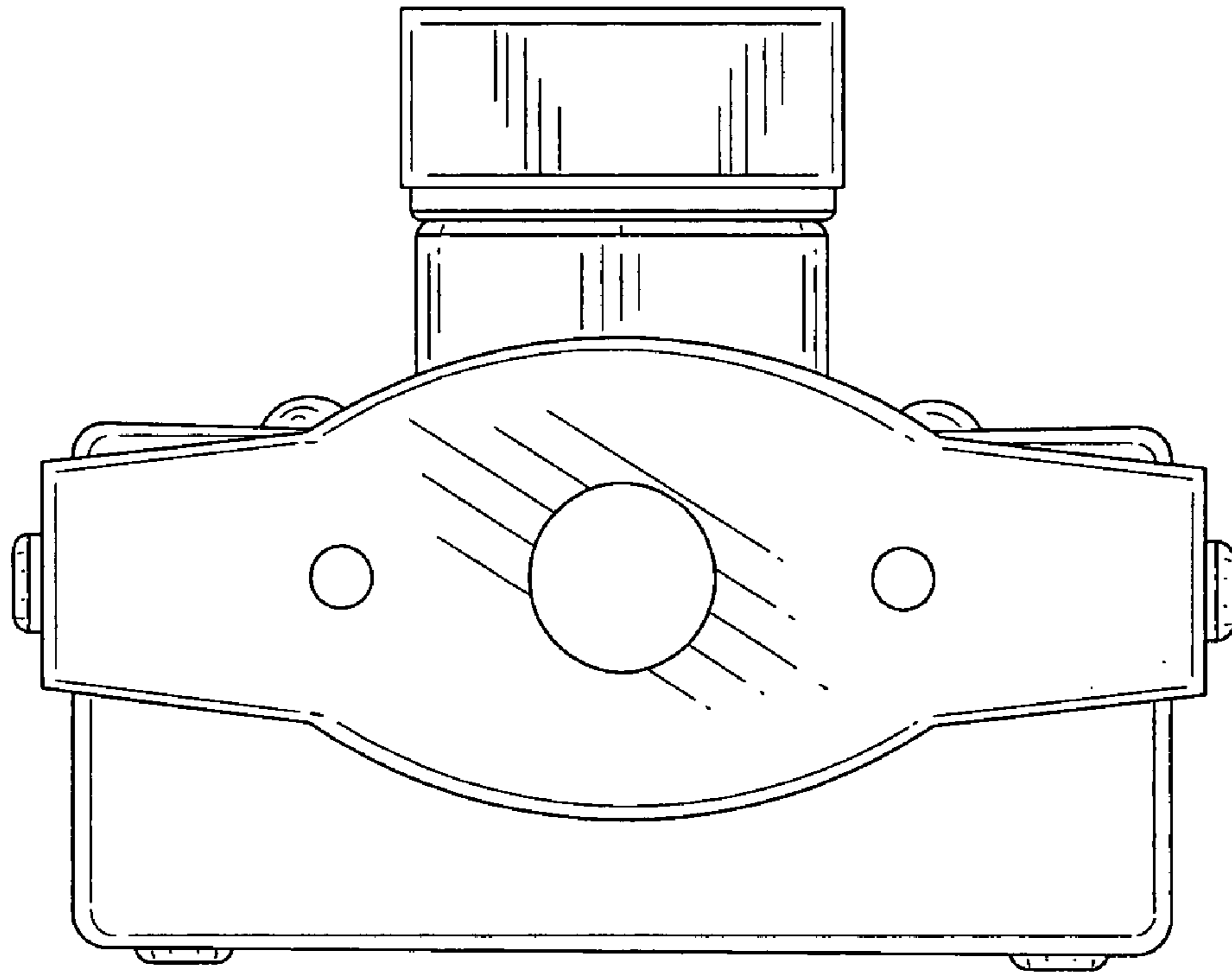


FIG.7



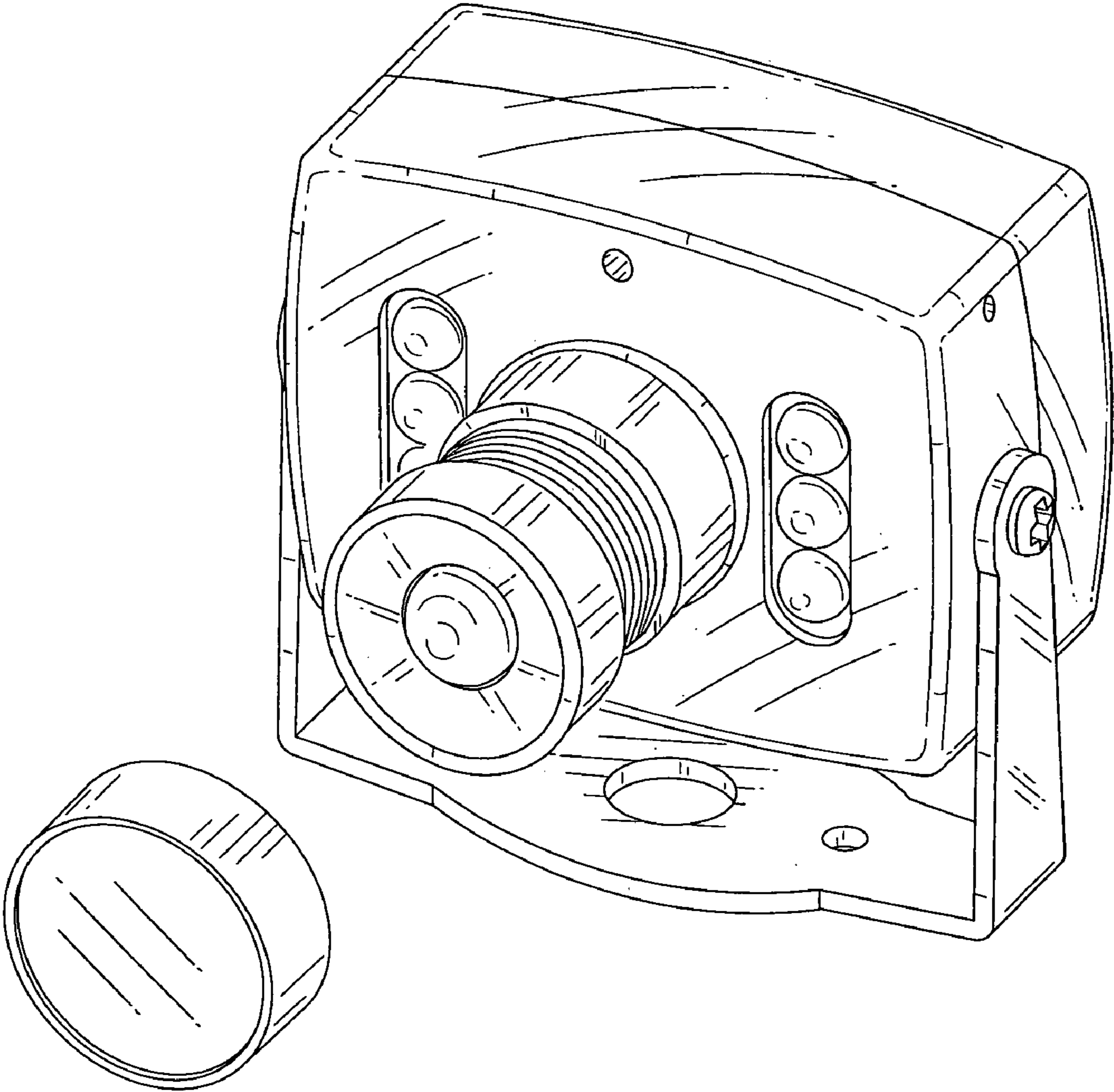


FIG.8