



US00D550738S

(12) **United States Design Patent**
Hsia

(10) **Patent No.:** **US D550,738 S**

(45) **Date of Patent:** **** Sep. 11, 2007**

(54) **SECURITY CAMERA**

(75) **Inventor:** **Chorng-Guang Hsia**, Saratoga, CA
(US)

(73) **Assignee:** **Team Research, Inc.**, San Jose, CA
(US)

(**) **Term:** **14 Years**

(21) **Appl. No.:** **29/249,337**

(22) **Filed:** **Oct. 2, 2006**

(51) **LOC (8) Cl.** **16-01**

(52) **U.S. Cl.** **D16/203; D16/202**

(58) **Field of Classification Search** D16/200–206,
D16/208, 213, 218, 230–234; 348/143, 151,
348/373–376; 396/427, 535–541, 428, 12,
396/13; D21/514; 358/906, 909.1
See application file for complete search history.

(56) **References Cited**

U.S. PATENT DOCUMENTS

D340,253 S *	10/1993	Fedorczak	D16/203
D402,677 S *	12/1998	Hiraguchi	D16/203
D430,587 S *	9/2000	Summit	D16/202
D433,432 S *	11/2000	Prather et al.	D16/202
6,503,000 B1 *	1/2003	Kim	396/427
D502,196 S *	2/2005	Miyazaki	D16/202

D511,181 S *	11/2005	Huang et al.	D16/202
D517,585 S *	3/2006	Iino et al.	D16/203
D518,080 S *	3/2006	Uehara	D16/203
2006/0023113 A1 *	2/2006	Lin	348/373

* cited by examiner

Primary Examiner—Ian Simmons

Assistant Examiner—Wan Laymon

(74) *Attorney, Agent, or Firm*—Roger Chu

(57) **CLAIM**

The ornamental design for a security camera, as shown and described.

DESCRIPTION

FIG. 1 is a front perspective view of a security camera showing my new design;

FIG. 2 is a rear perspective view thereof;

FIG. 3 is a left side elevation view thereof;

FIG. 4 is a right side elevation view thereof;

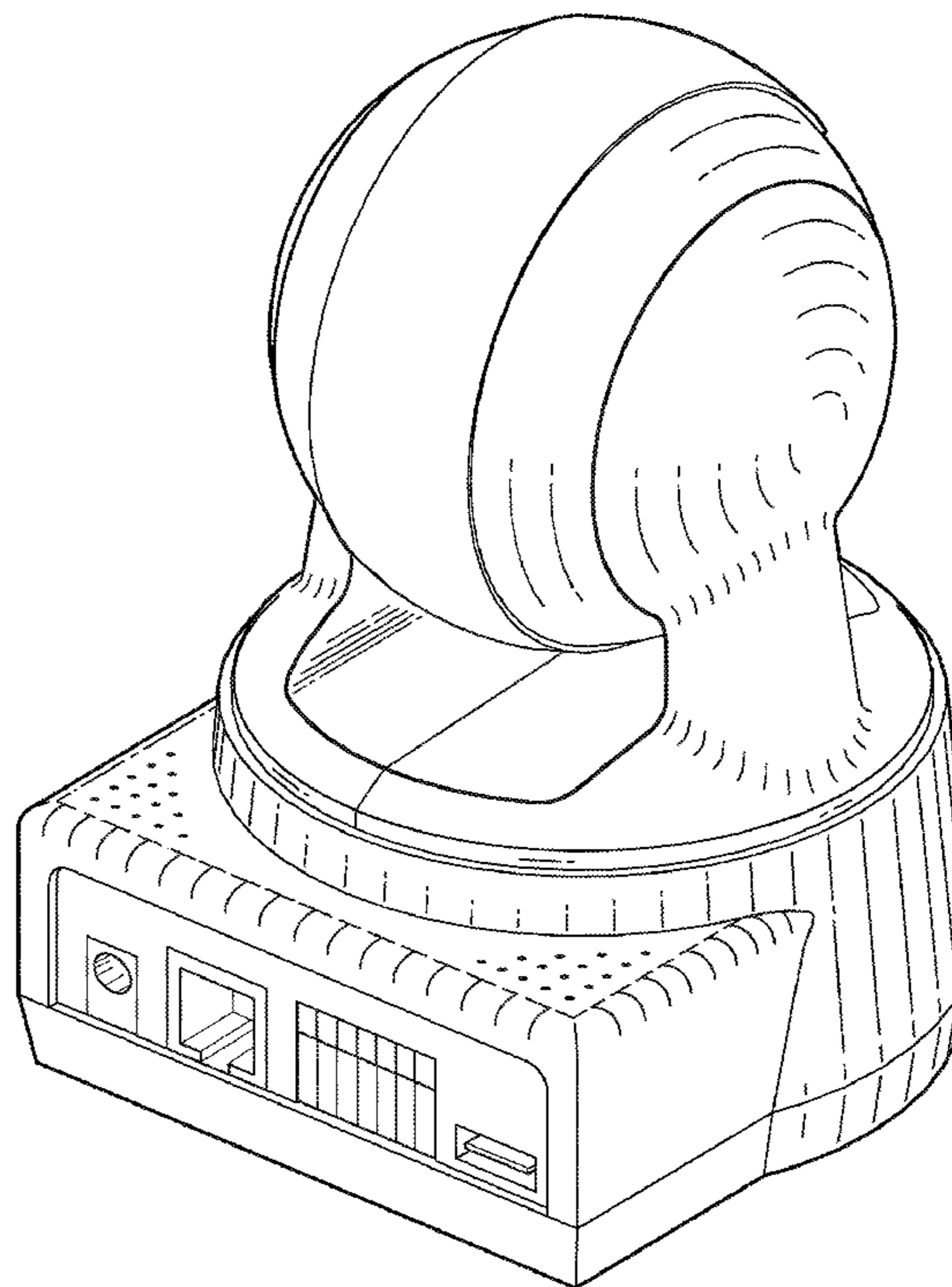
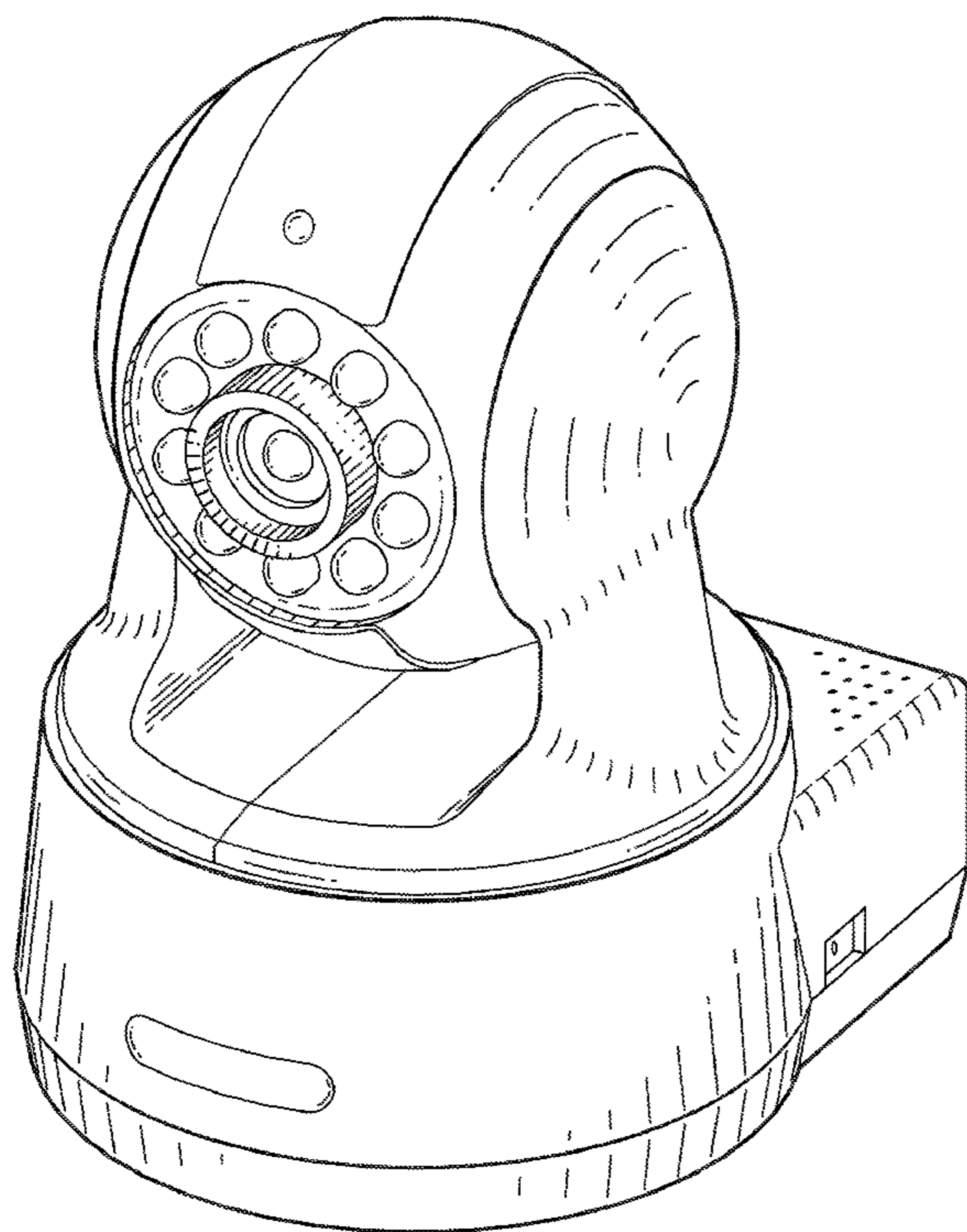
FIG. 5 is a front elevation view thereof;

FIG. 6 is a rear elevation view thereof;

FIG. 7 is a top plan view thereof; and,

FIG. 8 is a bottom plan view thereof.

1 Claim, 8 Drawing Sheets



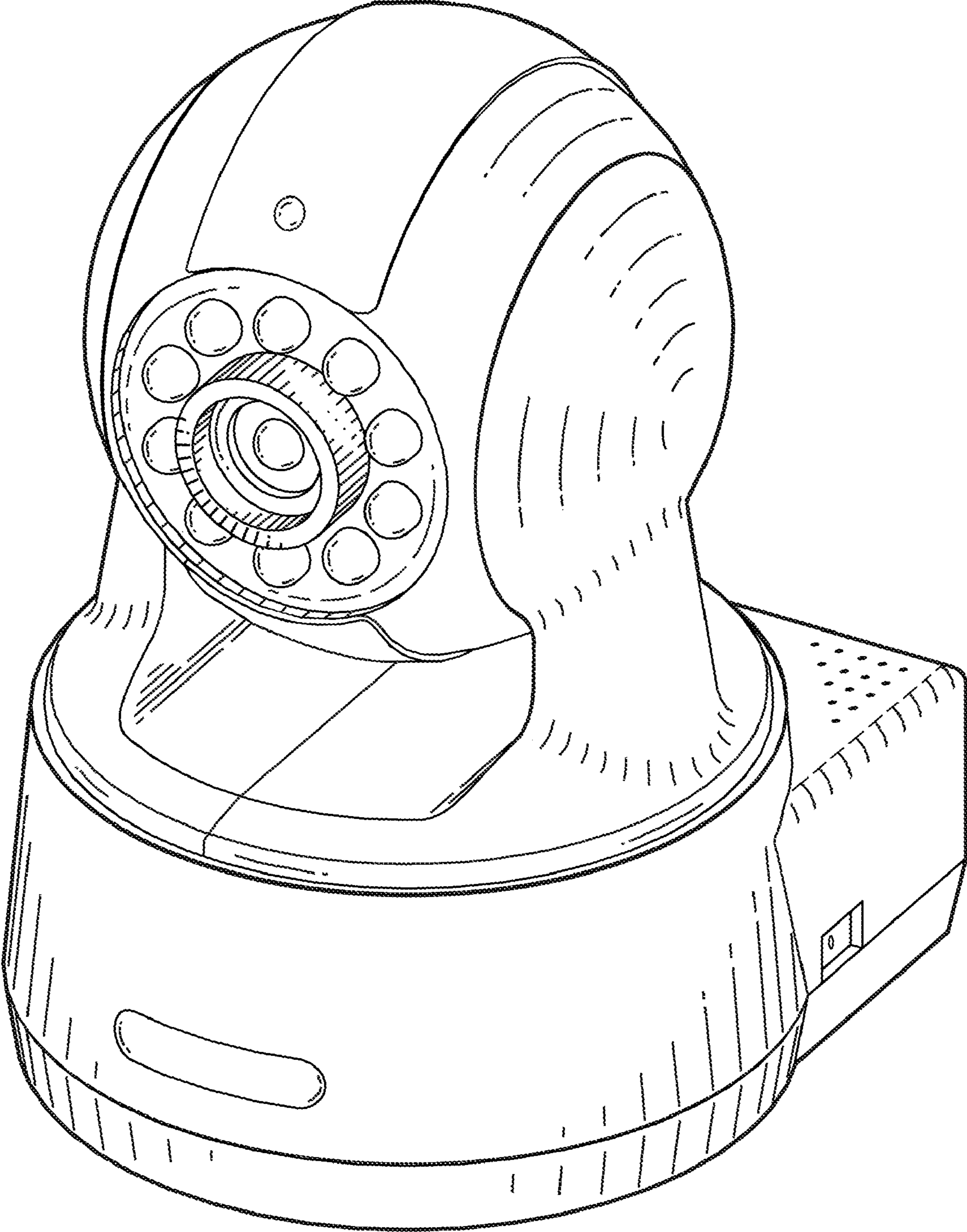


FIG. 1

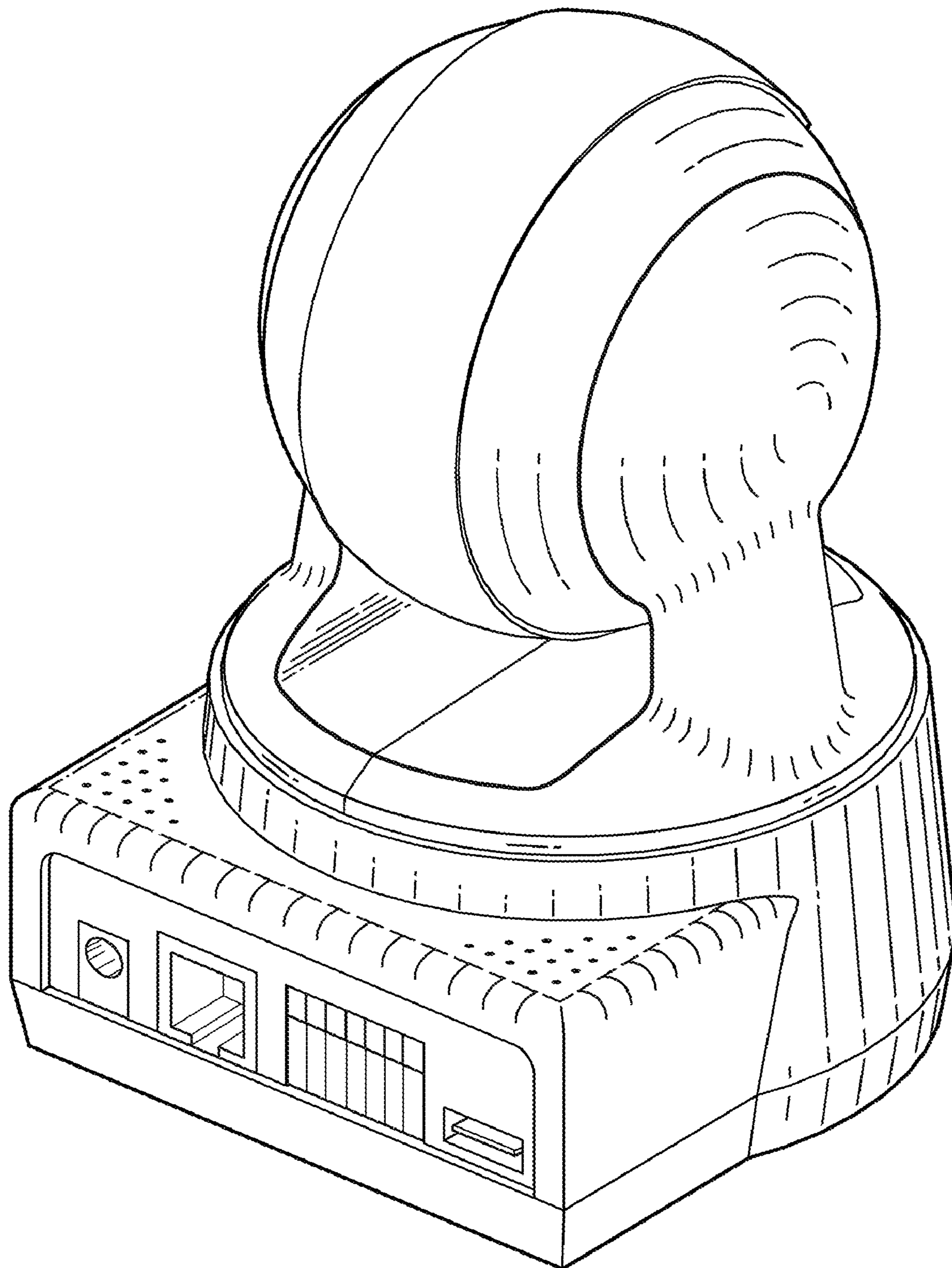


FIG. 2

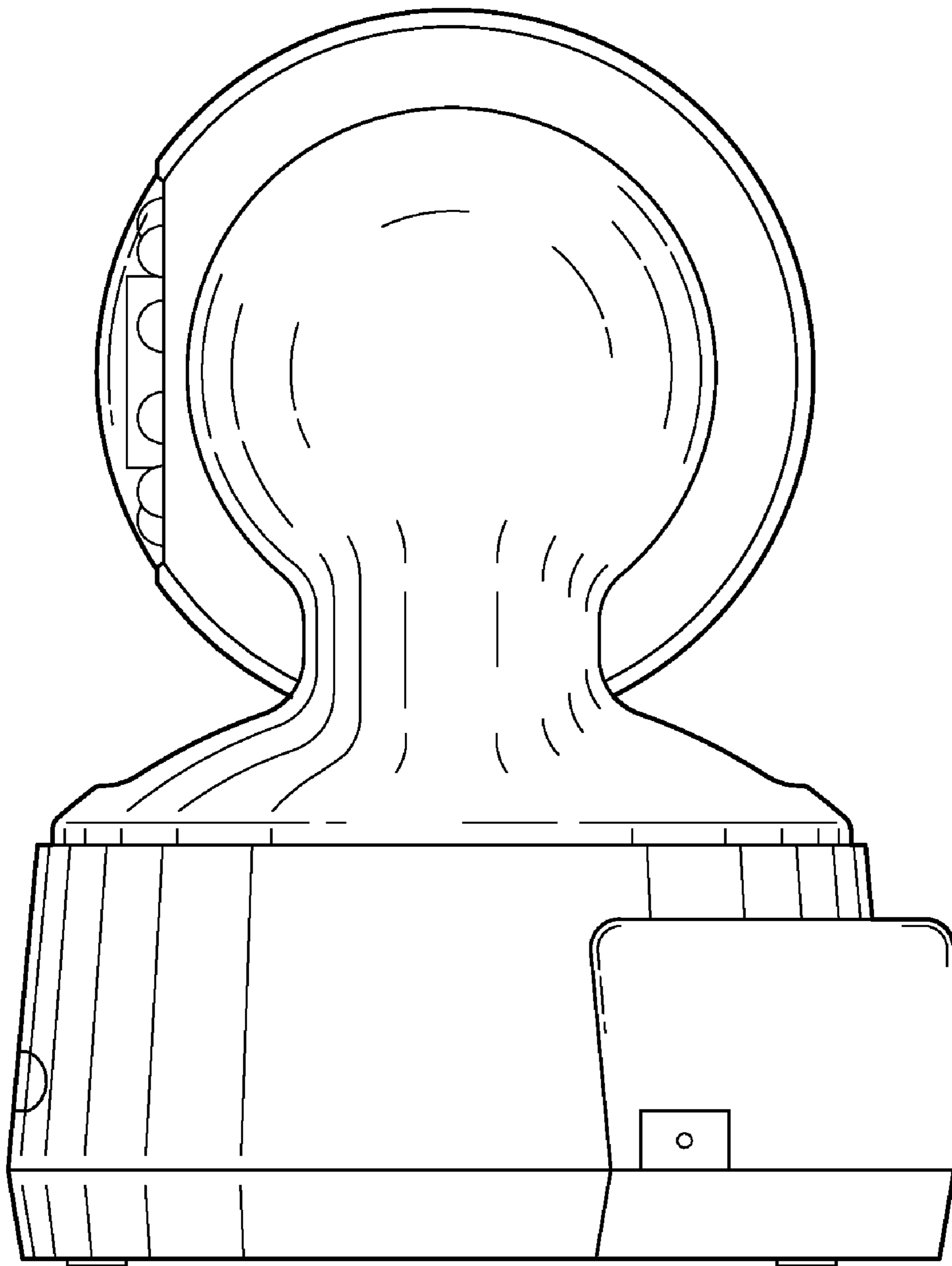


FIG. 3

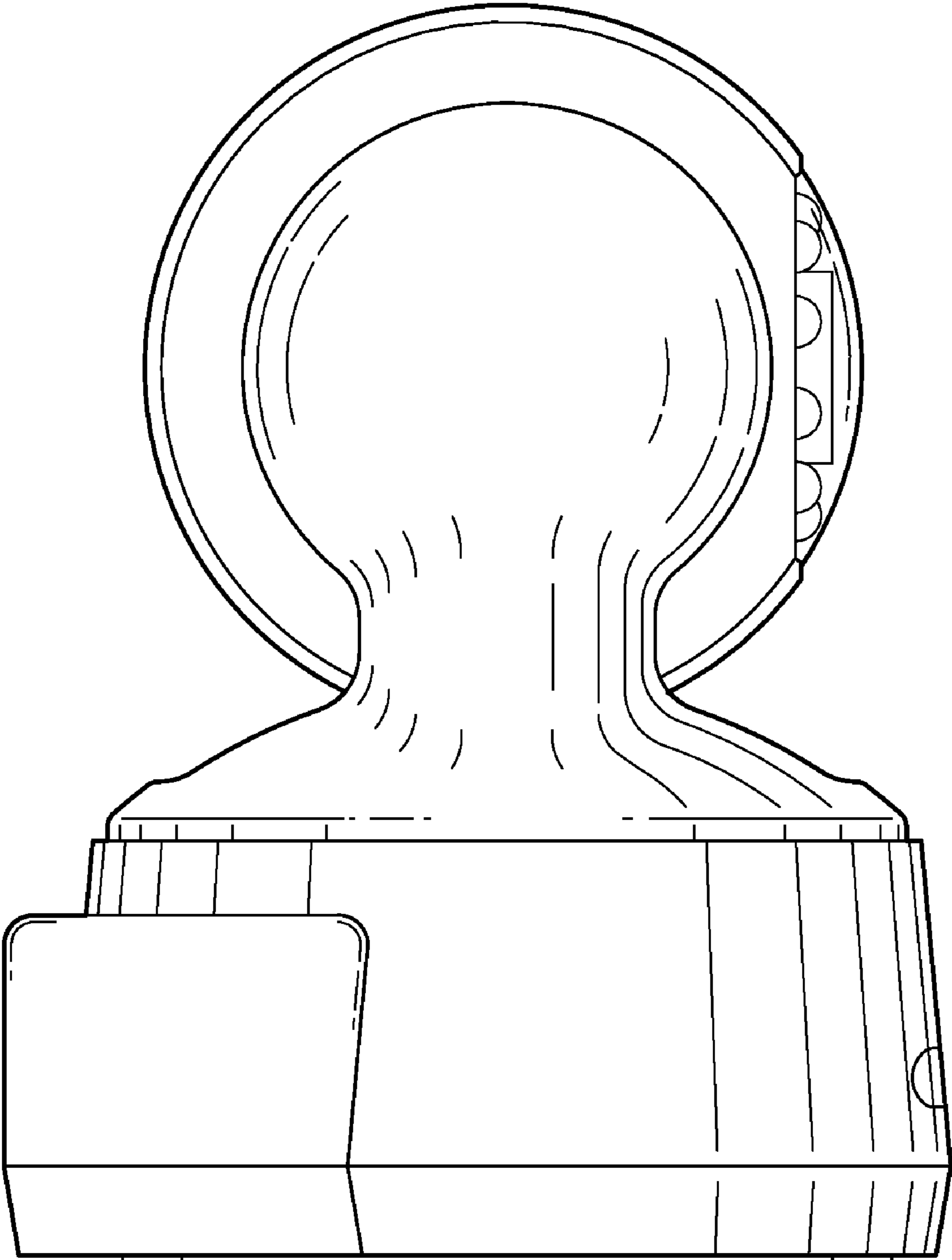


FIG. 4

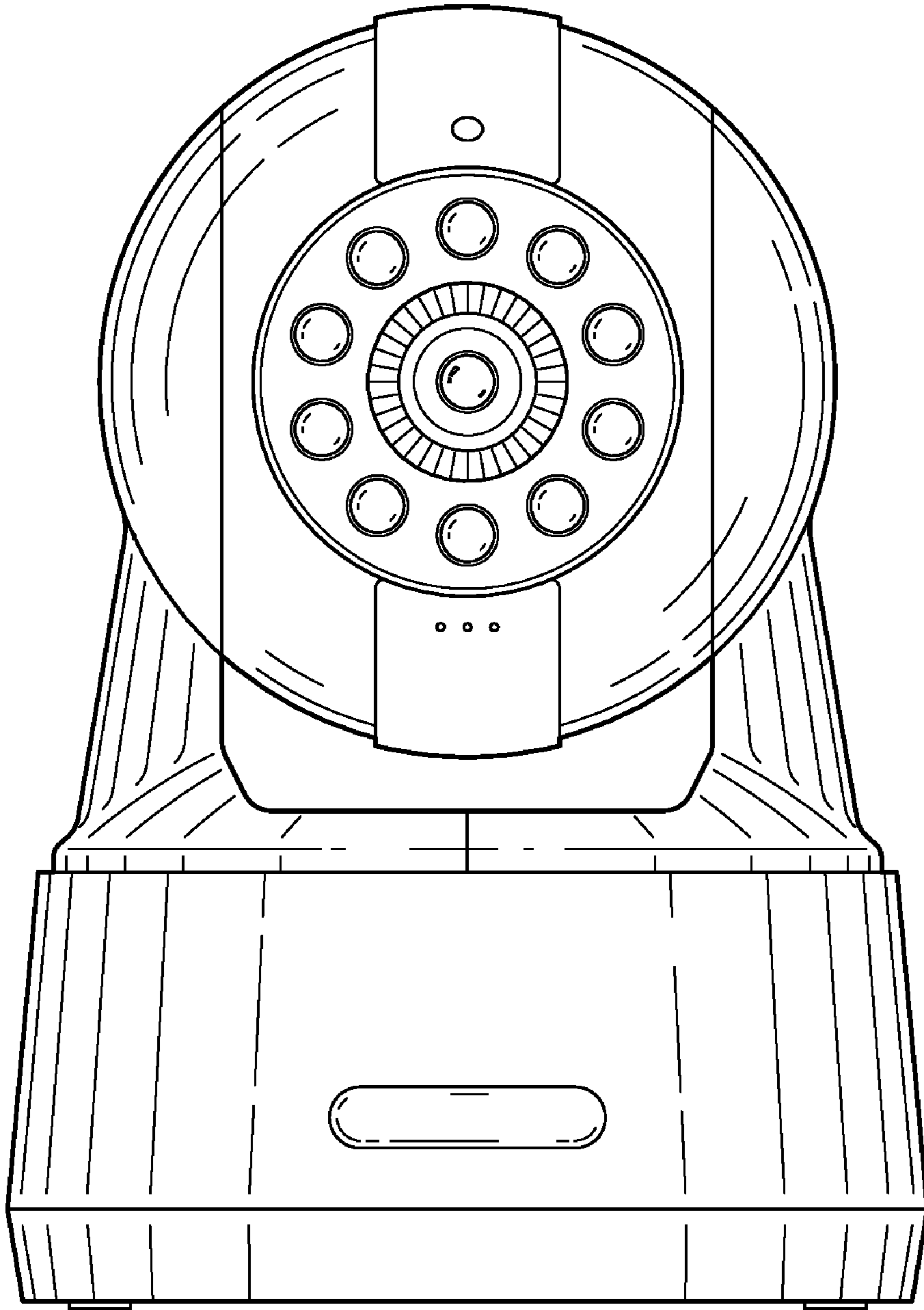


FIG. 5

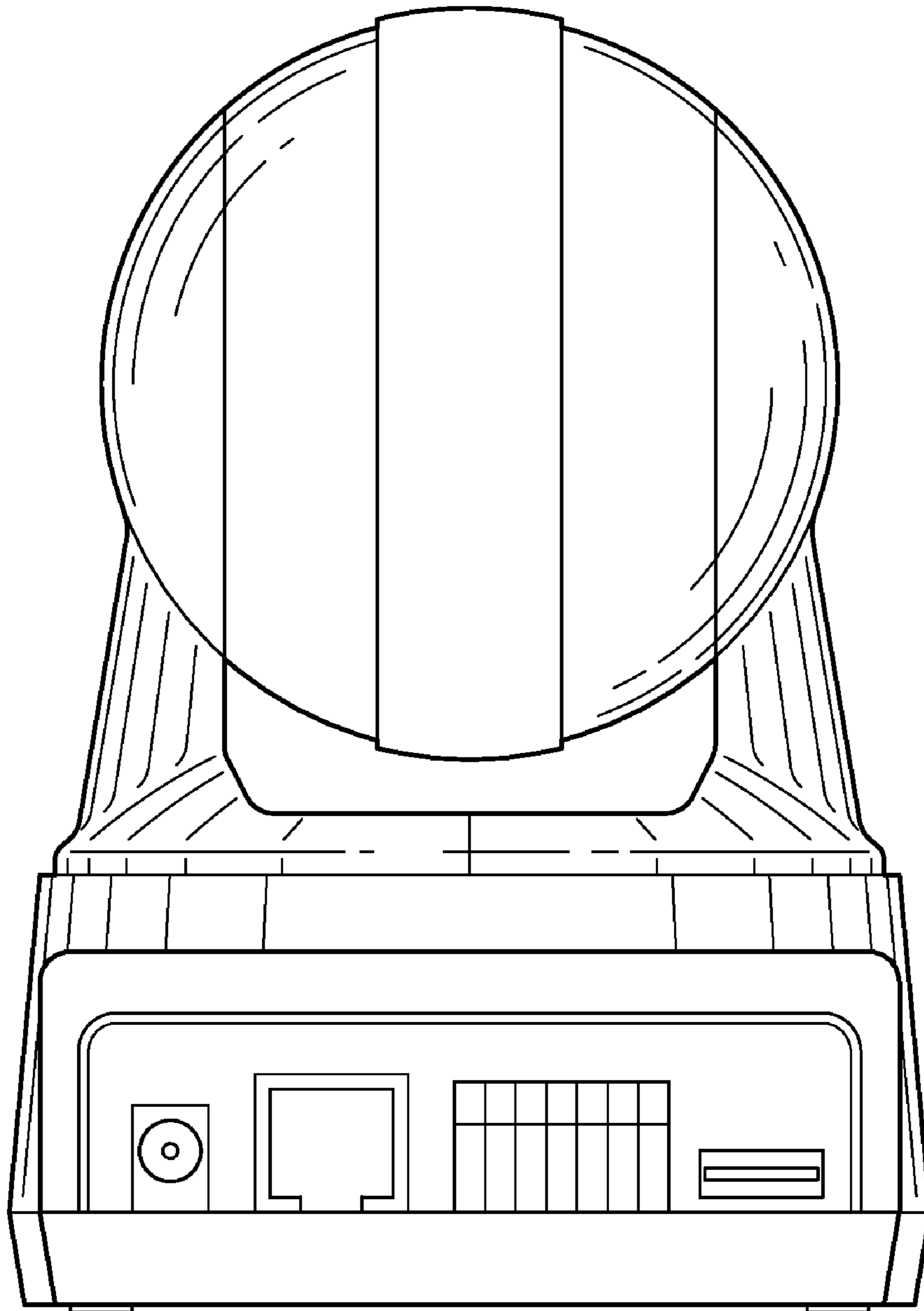


FIG. 6

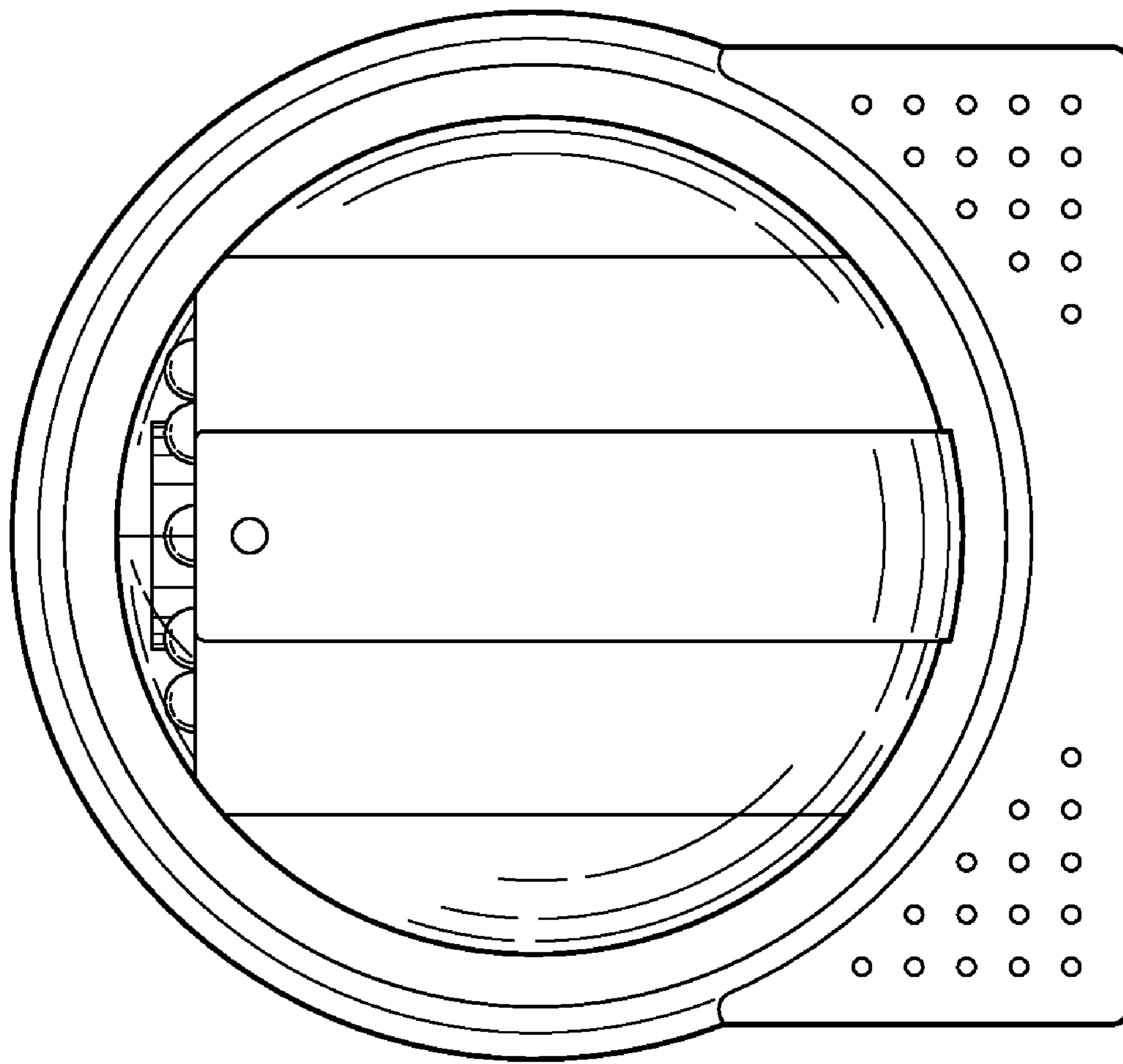


FIG. 7

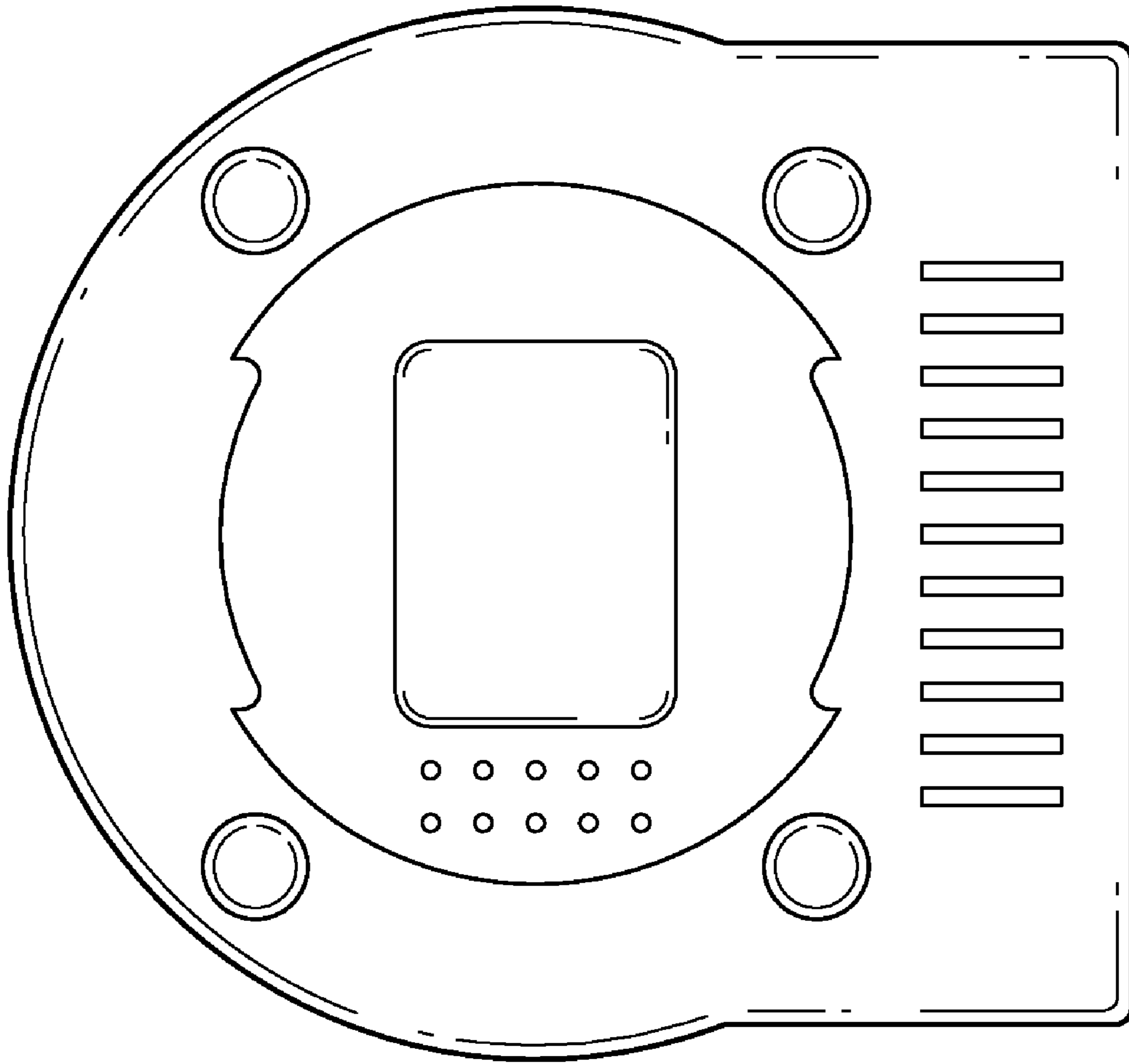


FIG. 8