



US00D550736S

(12) **United States Design Patent**
Sakai

(10) **Patent No.:** **US D550,736 S**

(45) **Date of Patent:** **** Sep. 11, 2007**

(54) **ELECTRONIC CAMERA**

D533,574 S * 12/2006 Hamamura D16/202
D535,314 S * 1/2007 Chang D16/202

(75) Inventor: **Masayuki Sakai**, Tokyo (JP)

* cited by examiner

(73) Assignee: **Fujifilm Corporation**, Tokyo (JP)

Primary Examiner—Adir Aronovich

(**) Term: **14 Years**

(74) *Attorney, Agent, or Firm*—Young & Thompson

(21) Appl. No.: **29/254,567**

(57) **CLAIM**

(22) Filed: **Feb. 27, 2006**

The ornamental design for an electronic camera, as shown and described.

(30) **Foreign Application Priority Data**

Sep. 8, 2005 (JP) 2005-025995

DESCRIPTION

(51) **LOC (8) Cl.** **16-01**

FIG. 1 is a top, front and side perspective view of an electronic camera showing my new design;

(52) **U.S. Cl.** **D16/202**

FIG. 2 is a front elevational view thereof;

(58) **Field of Classification Search** D16/200–204,
D16/208, 218; 348/373–376; 358/909.1;
396/535–541

FIG. 3 is a rear elevational view thereof;

FIG. 4 is a top plan view thereof;

See application file for complete search history.

FIG. 5 is a bottom plan view thereof;

FIG. 6 is a side elevational view thereof from the left of FIG. 2;

(56) **References Cited**

U.S. PATENT DOCUMENTS

6,434,337 B1 * 8/2002 Misawa 358/909.1
D475,072 S * 5/2003 Yoshida D16/202
D490,833 S * 6/2004 Sakaguchi et al. D16/202
D523,456 S * 6/2006 Chang D16/202
D525,639 S * 7/2006 Nakamura D16/218
D531,652 S * 11/2006 Ogino et al. D16/202
D532,030 S * 11/2006 Yoshida D16/202

FIG. 7 is a side elevational view thereof from the right of FIG. 2;

FIG. 8 is a top, rear and side perspective view thereof; and,

FIG. 9 is a view similar to FIG. 1, but with the parts in a different position.

1 Claim, 5 Drawing Sheets

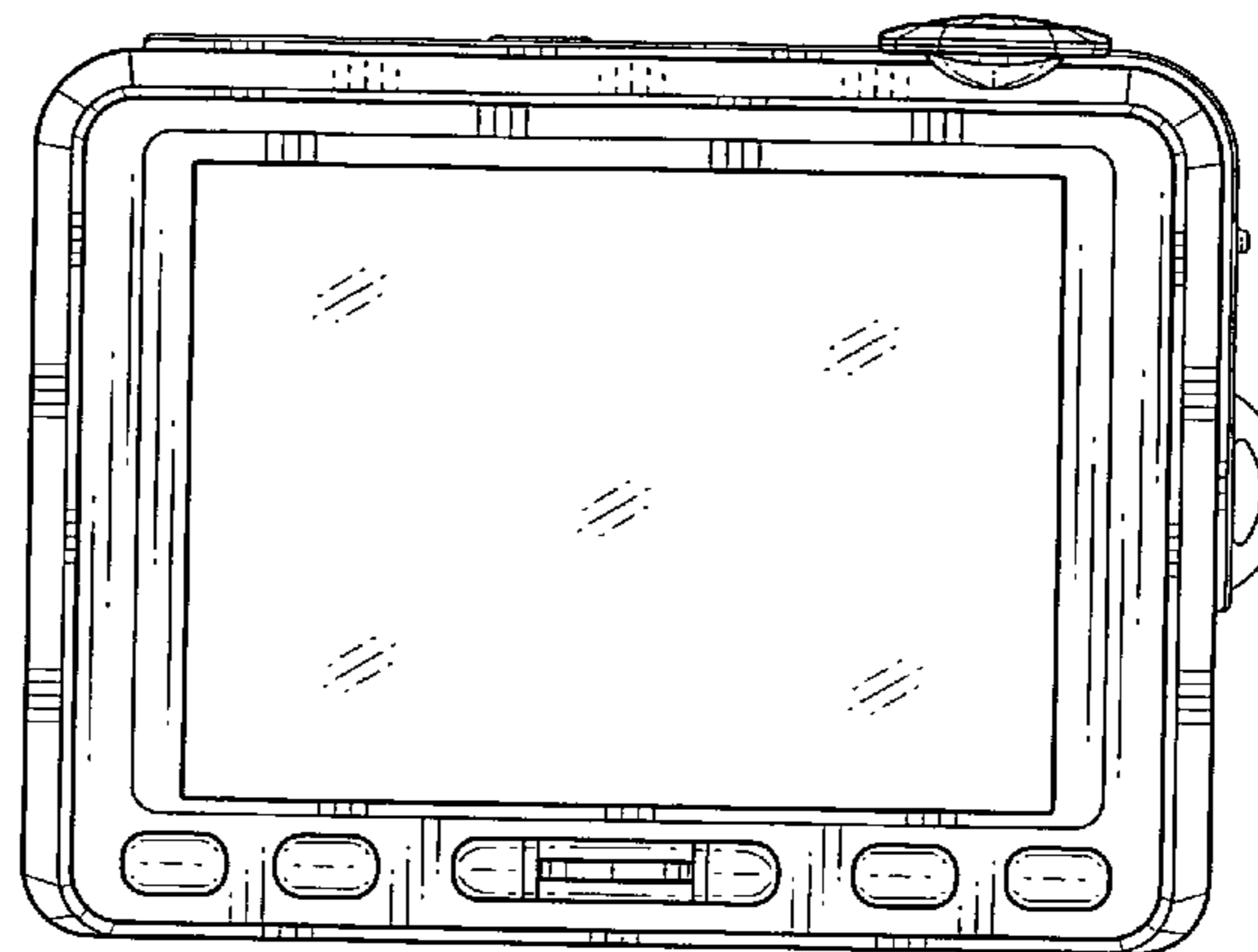
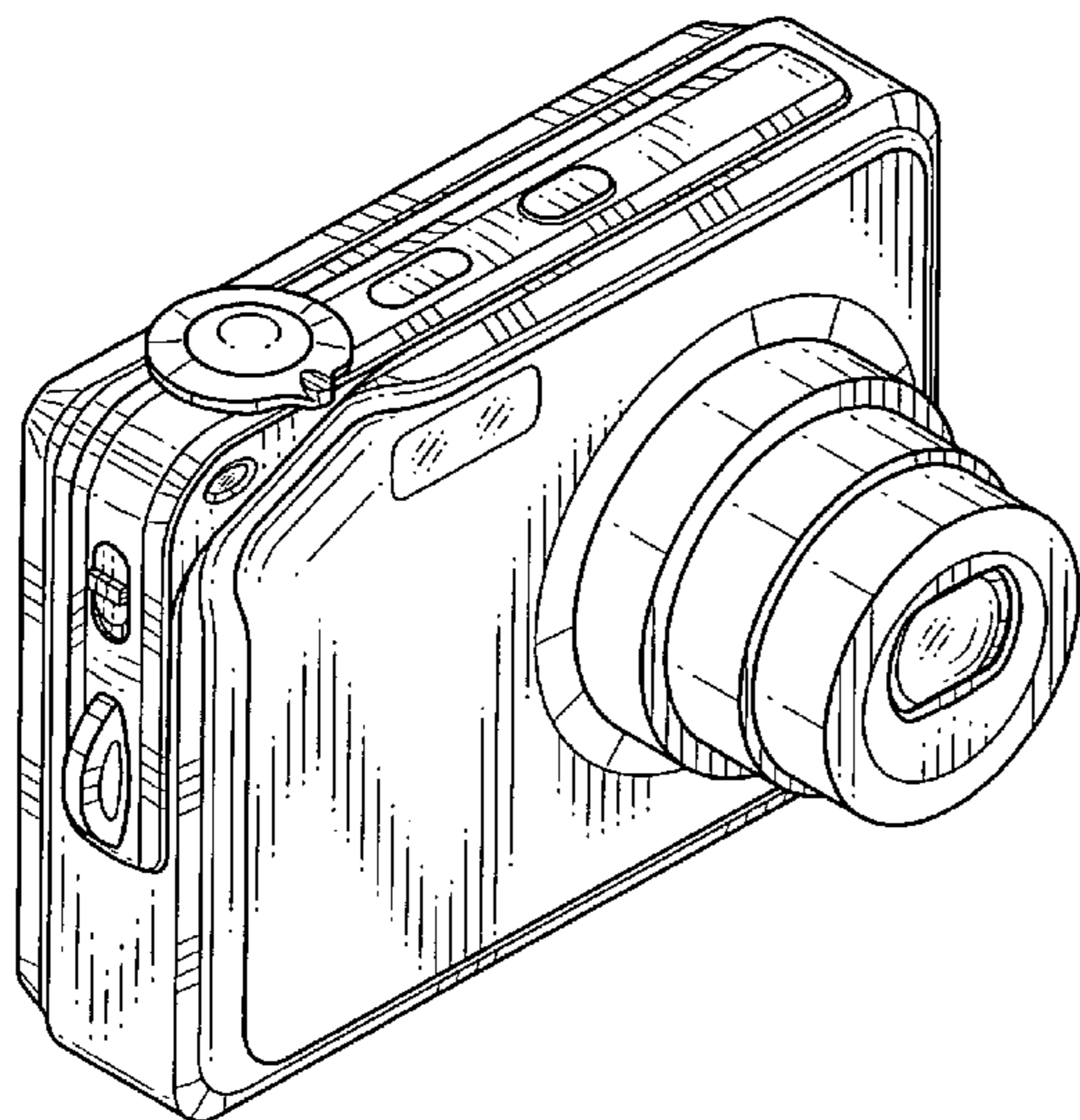


FIG. 1

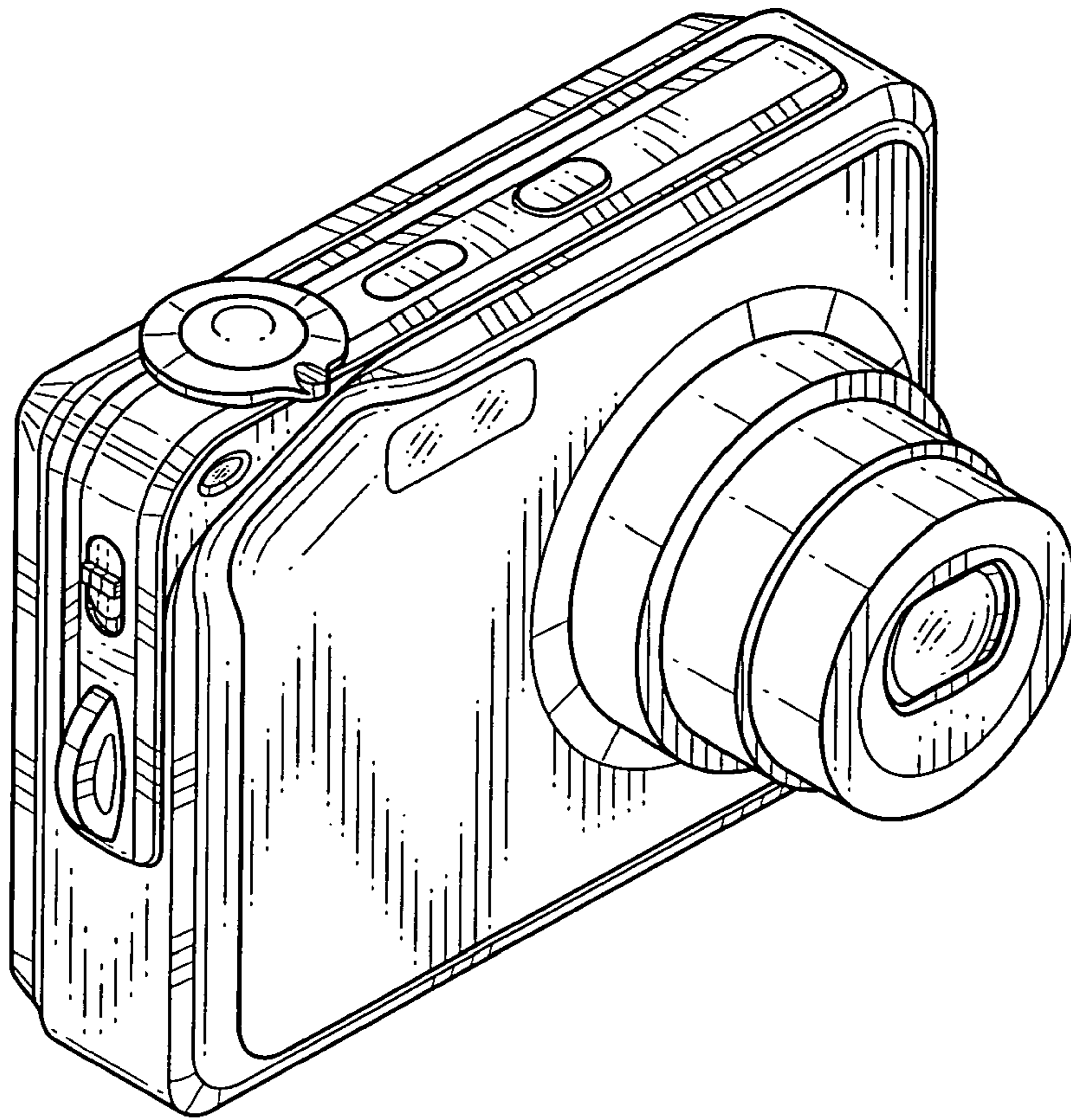


FIG. 2

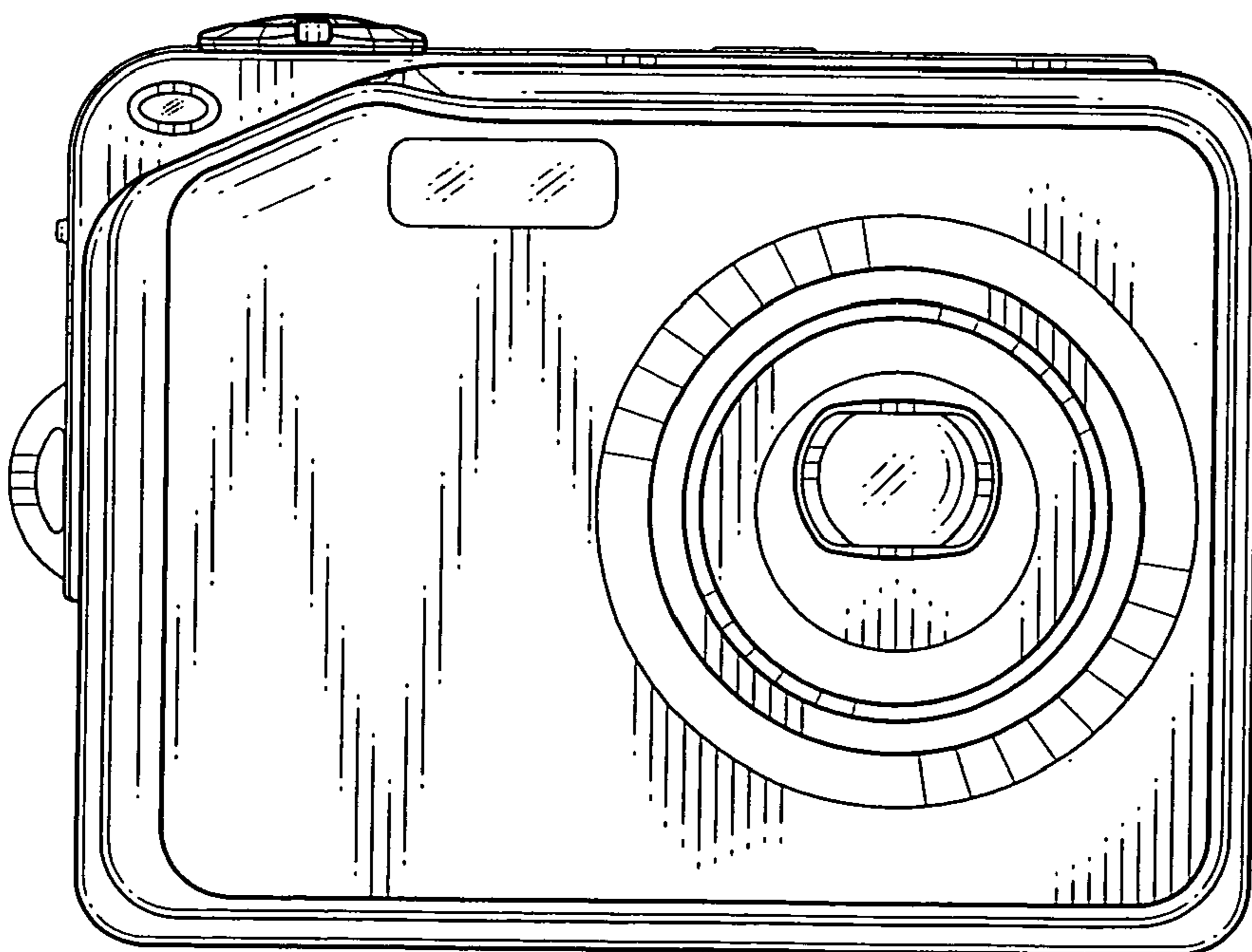


FIG.3

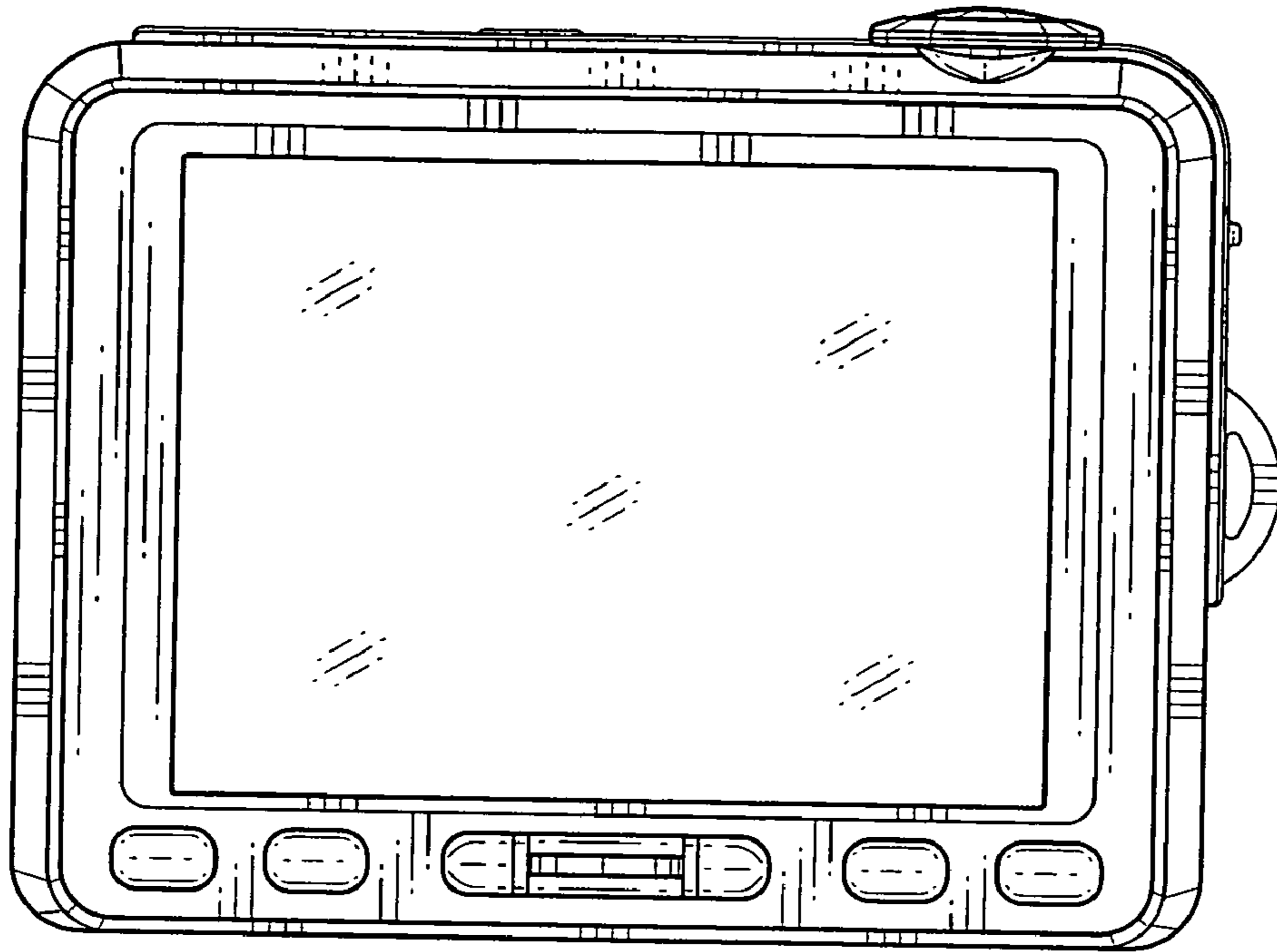


FIG.4

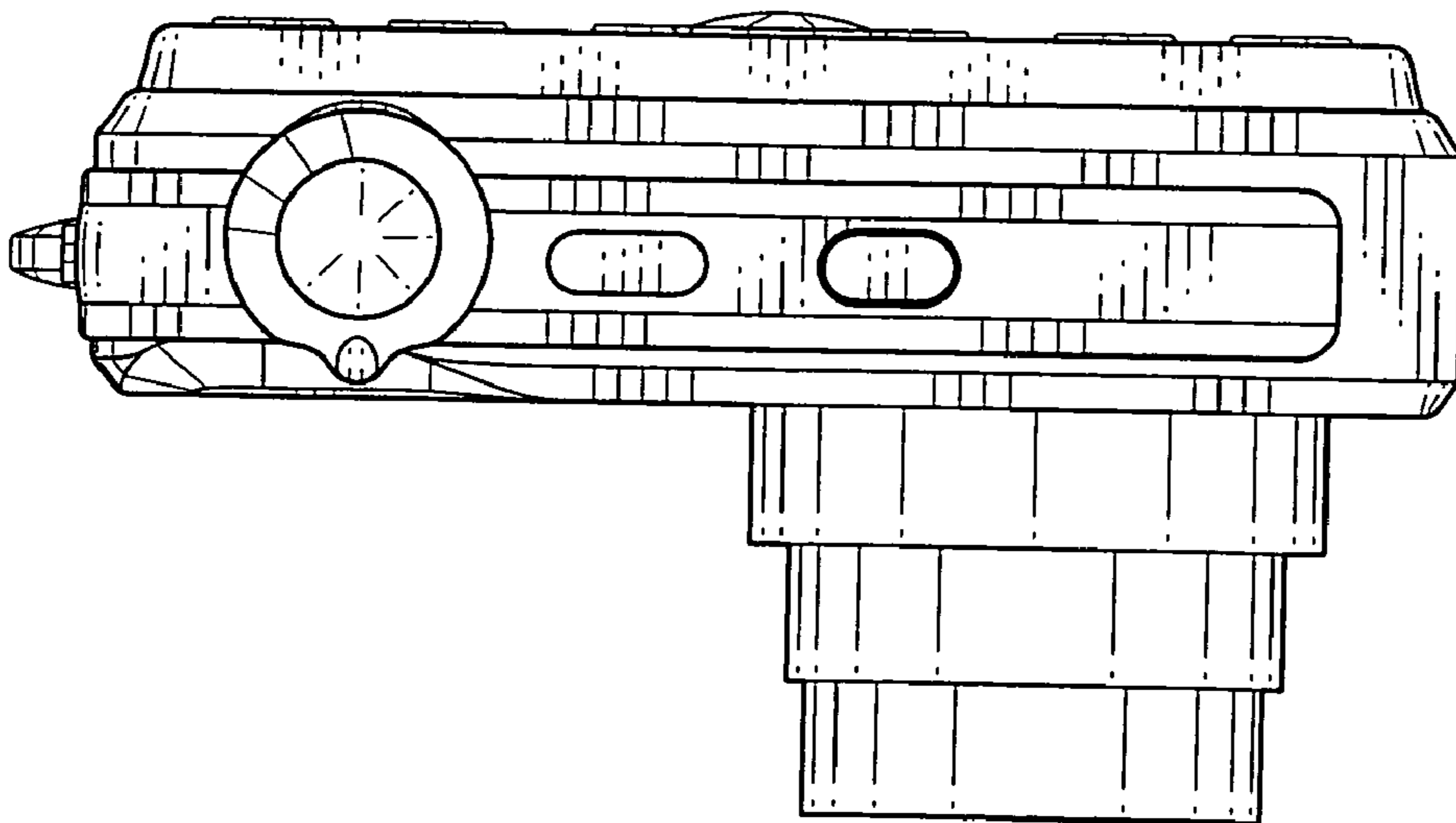


FIG.5

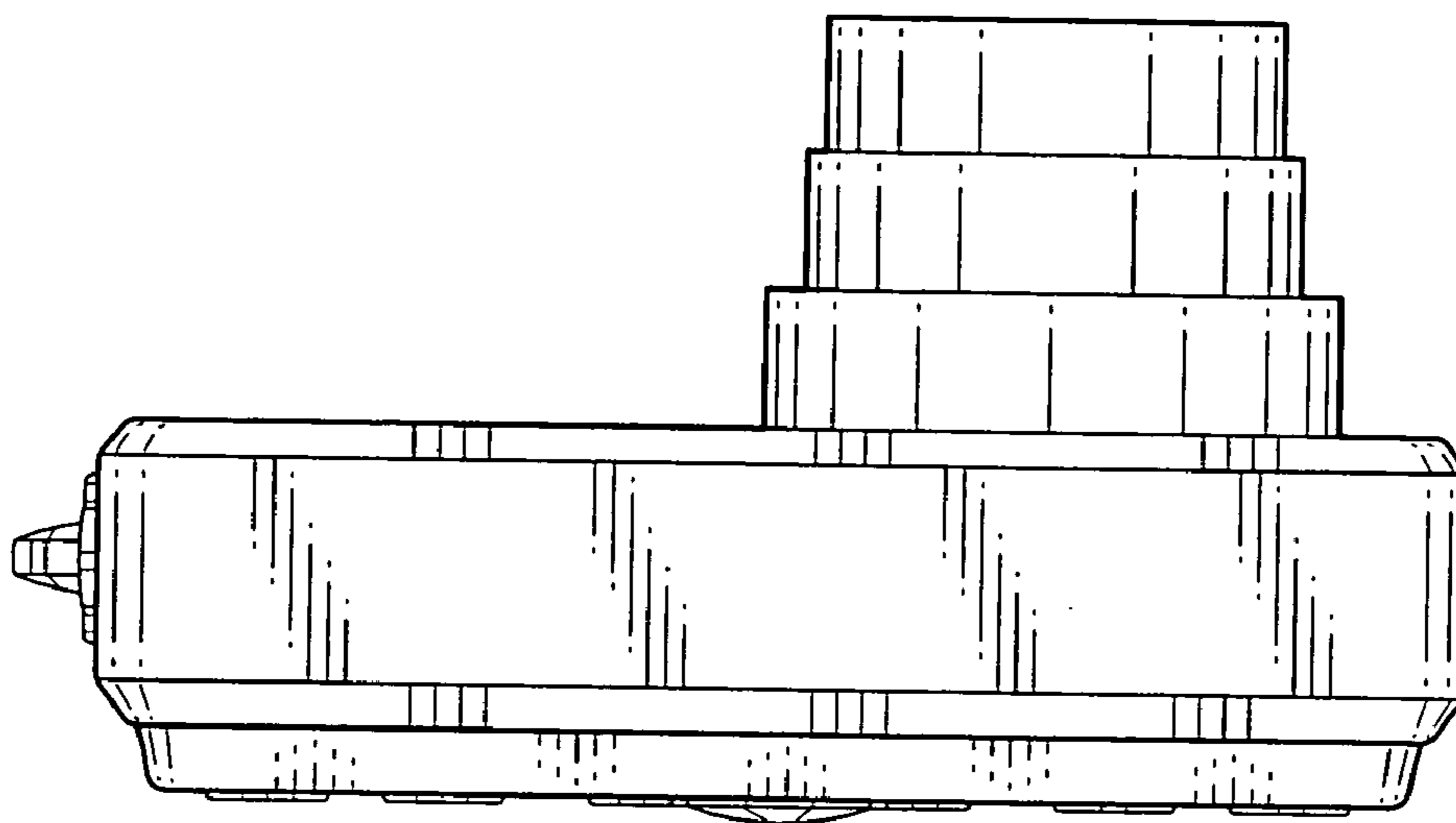


FIG.6

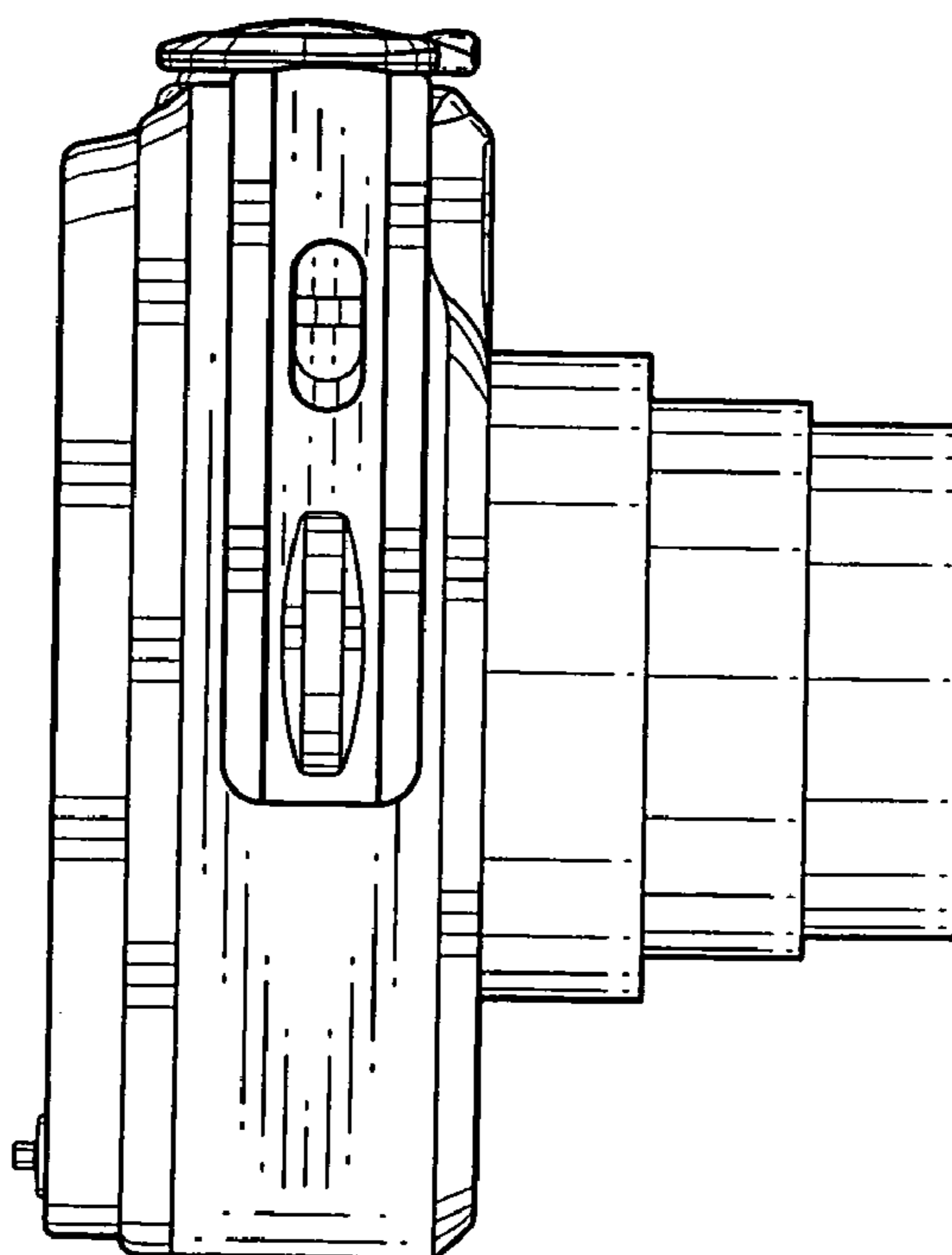


FIG.7

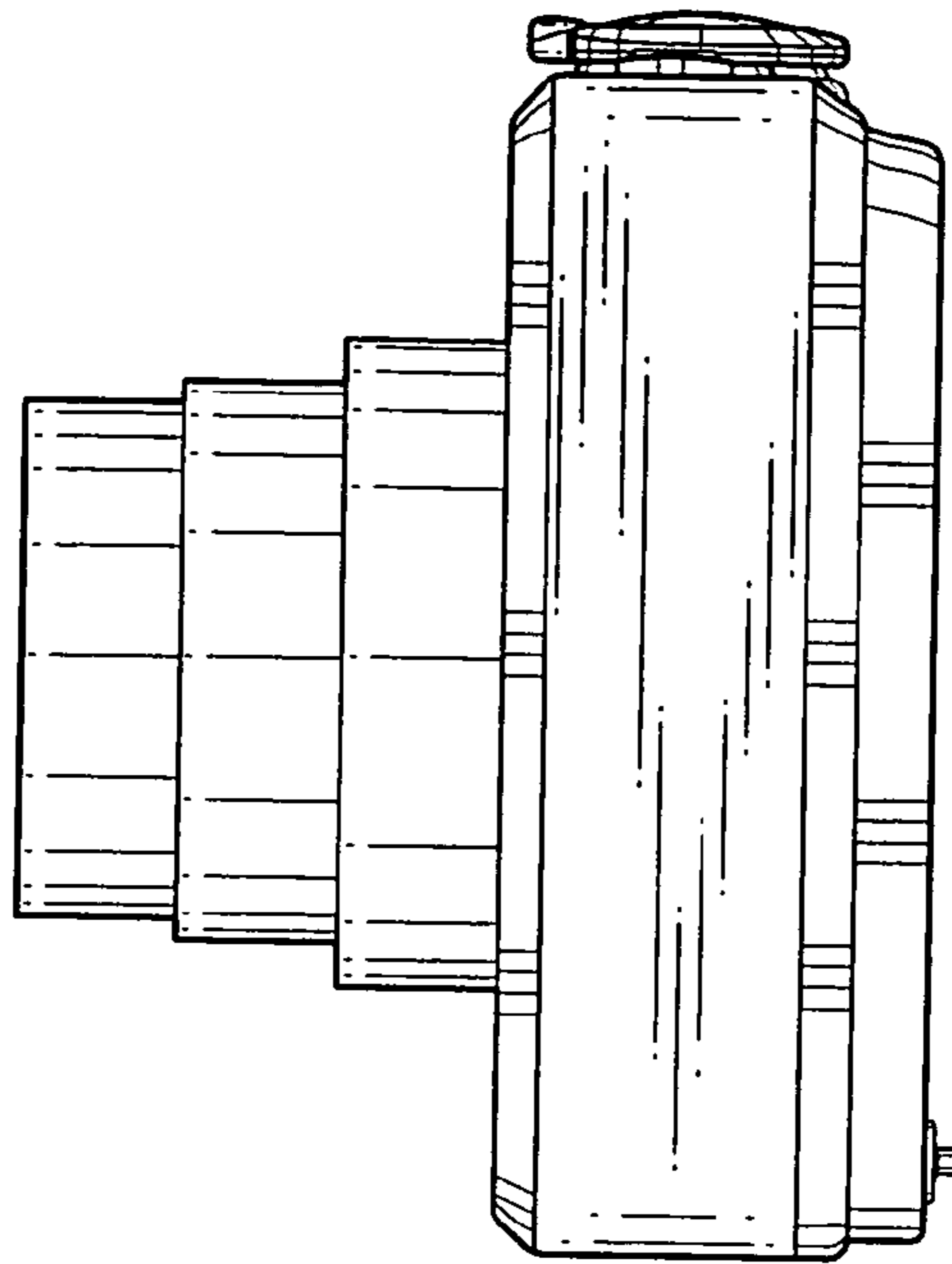


FIG.8

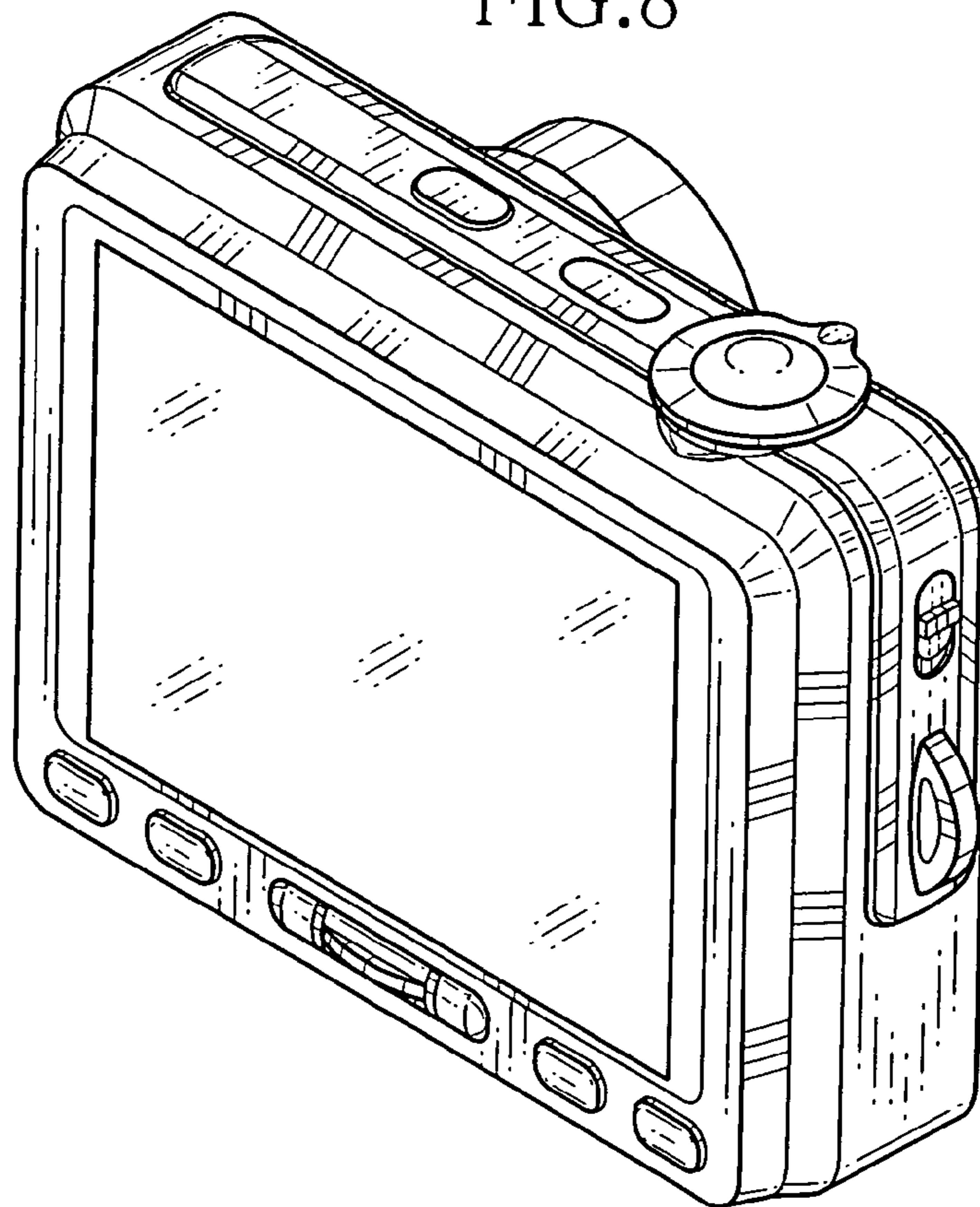


FIG. 9

