



US00D550733S

(12) **United States Design Patent**  
**Wright**

(10) **Patent No.:** **US D550,733 S**

(45) **Date of Patent:** **\*\* Sep. 11, 2007**

(54) **CURVED SLOTTED GROUND JAW**

(75) Inventor: **Douglas F. Wright**, Tucson, AZ (US)

(73) Assignee: **Engineering & Research Associates, Inc.**, Tucson, AZ (US)

(\*\*) Term: **14 Years**

(21) Appl. No.: **29/275,748**

(22) Filed: **Jan. 5, 2007**

(51) **LOC (8) Cl.** ..... **15-99**

(52) **U.S. Cl.** ..... **D15/146**

(58) **Field of Classification Search** ..... D15/21,  
D15/28, 138, 139, 145, 146; 156/273.7,  
156/274.4, 274.6, 358, 380.1, 380.3, 380.6,  
156/380.7, 477.1-489, 583.9; 219/632, 736,  
219/757, 765, 769, 770, 774, 777, 778  
See application file for complete search history.

(56) **References Cited**

**U.S. PATENT DOCUMENTS**

3,932,277	A *	1/1976	McDermott et al. ....	210/780
4,186,292	A *	1/1980	Acker .....	219/769
4,490,598	A *	12/1984	Minney et al. ....	219/769
4,496,819	A *	1/1985	Acker et al. ....	219/769
D280,515	S *	9/1985	Minney et al. ....	D15/146
D340,730	S *	10/1993	Myers .....	D15/146
D385,894	S *	11/1997	Linner .....	D15/146
D494,608	S *	8/2004	Wright .....	D15/146
6,784,407	B2 *	8/2004	Wright et al. ....	219/769
D502,475	S *	3/2005	Wright et al. ....	D15/146

D502,476	S *	3/2005	Wright et al. ....	D15/146
7,211,776	B2 *	5/2007	Jensen .....	219/765
2004/0166591	A1 *	8/2004	Niston .....	436/180

\* cited by examiner

*Primary Examiner*—Antoine D. Davis

*Assistant Examiner*—Patricia Palasik

(74) *Attorney, Agent, or Firm*—Cahill, von Hellens & Glazer P.L.C.

(57) **CLAIM**

The ornamental design for a curved slotted ground jaw, as shown and described.

**DESCRIPTION**

FIG. 1 is a top right isometric view showing my design, the tubing sealer shown in dashed lines illustrates the environment of my invention and forms no part of the claimed design;

FIG. 2 is a right top rear isometric view thereof;

FIG. 3 is a right top front isometric view thereof;

FIG. 4 is a top plan view thereof;

FIG. 5 is a front elevational view thereof;

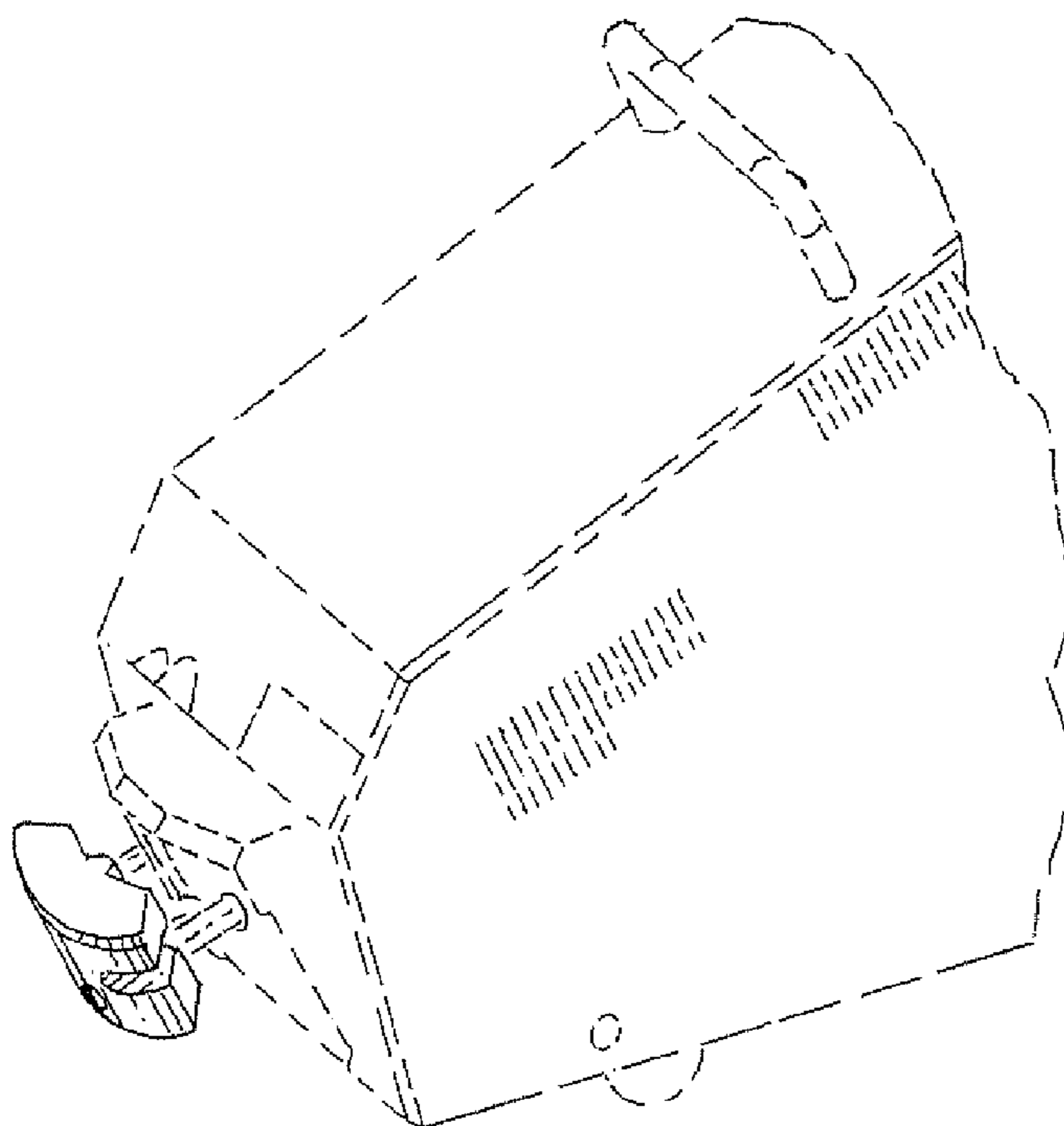
FIG. 6 is a rear elevational view thereof;

FIG. 7 is a bottom plan view thereof;

FIG. 8 is a left side elevational view thereof; and,

FIG. 9 is a right side elevational view thereof.

**1 Claim, 1 Drawing Sheet**



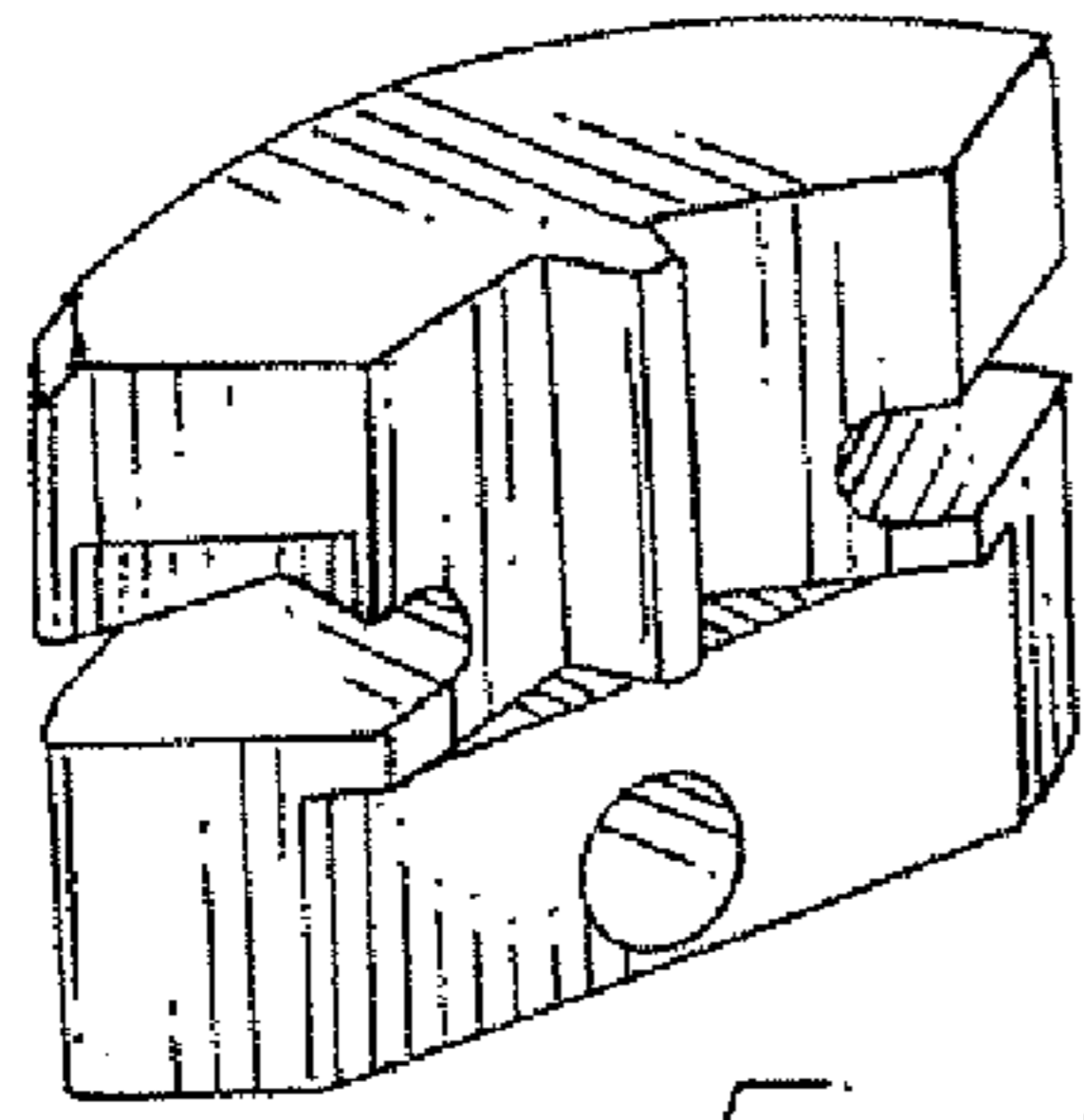


Fig. 2

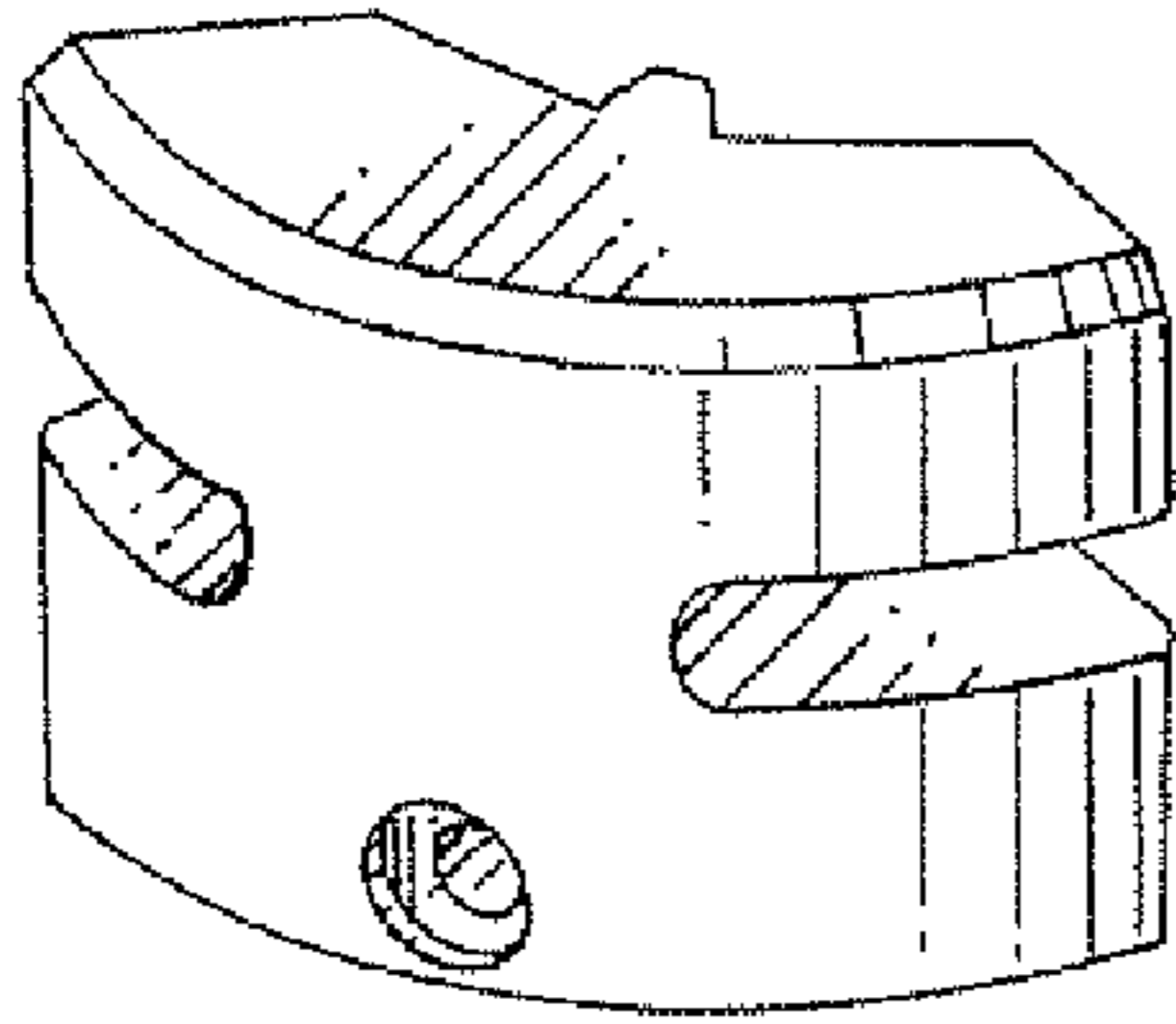


Fig. 3

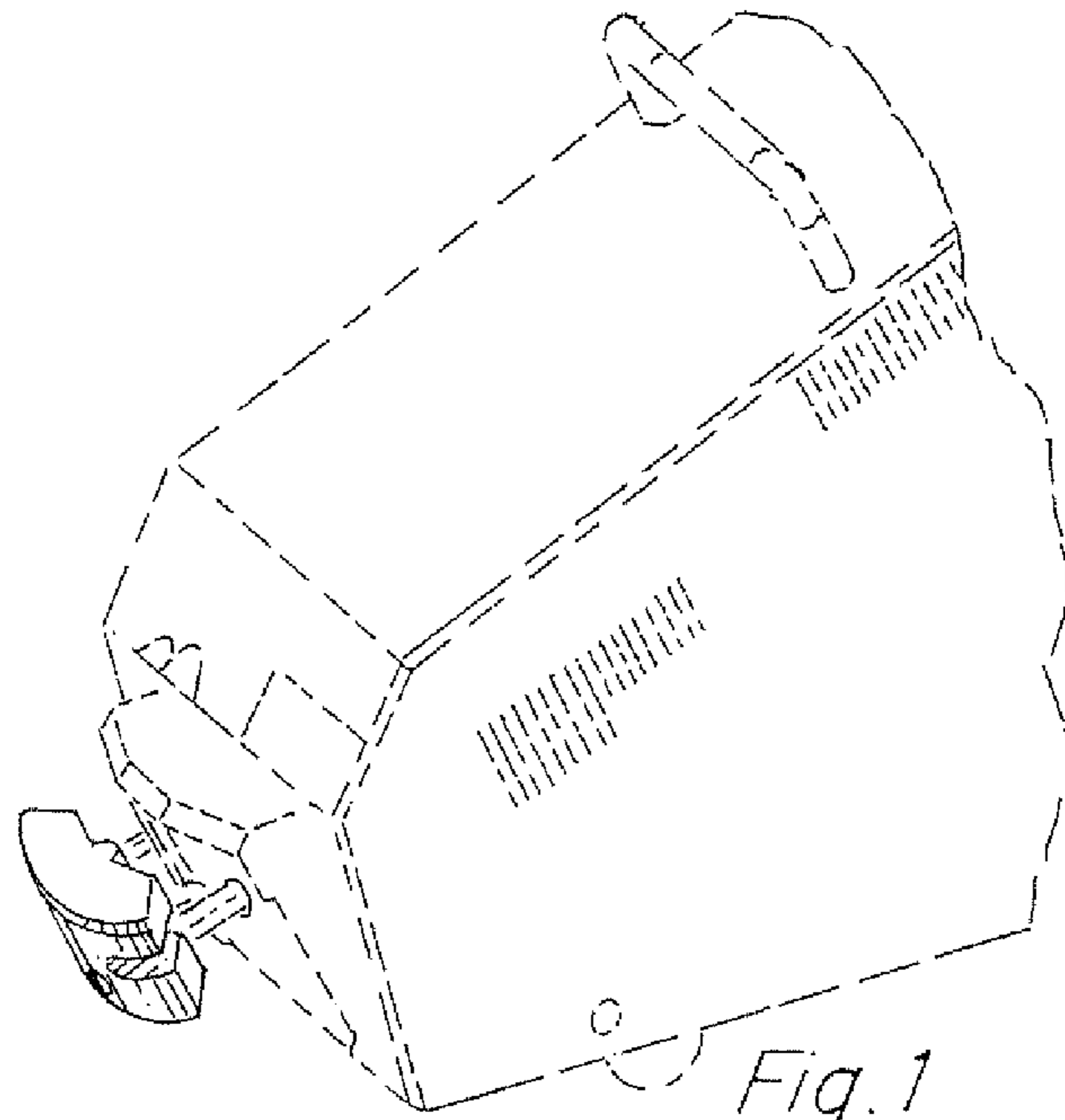


Fig. 1

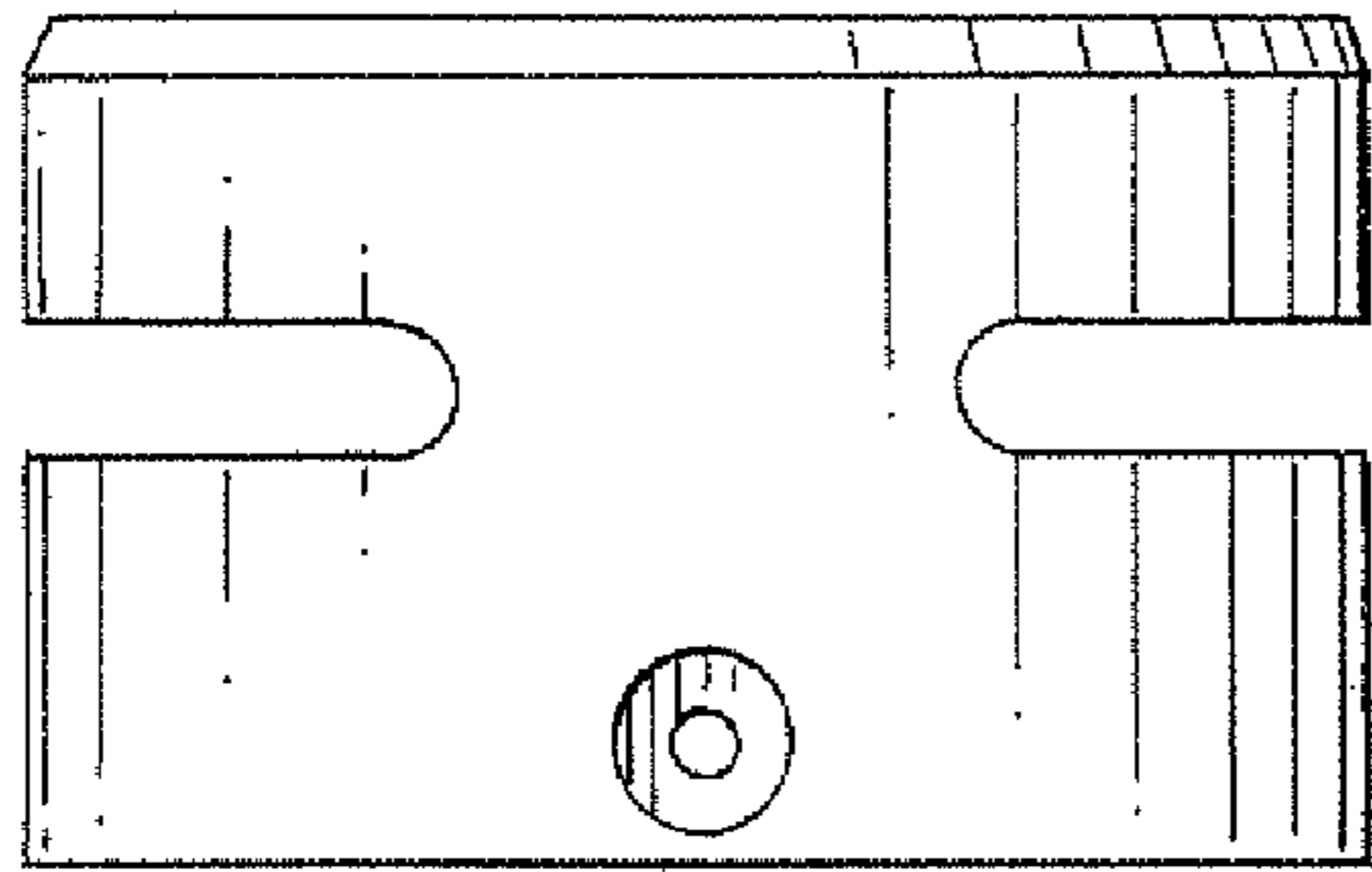


Fig. 5

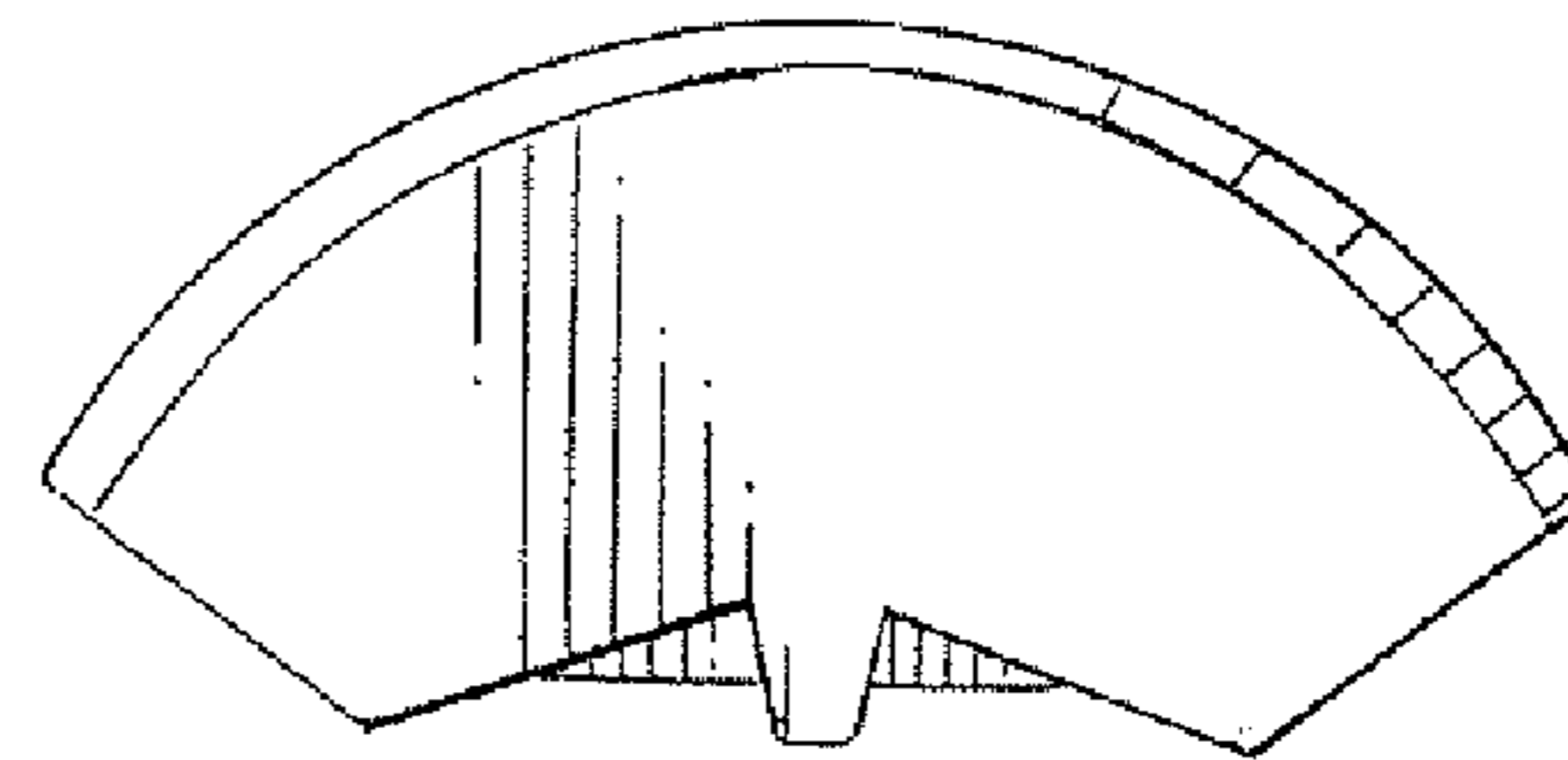


Fig. 4

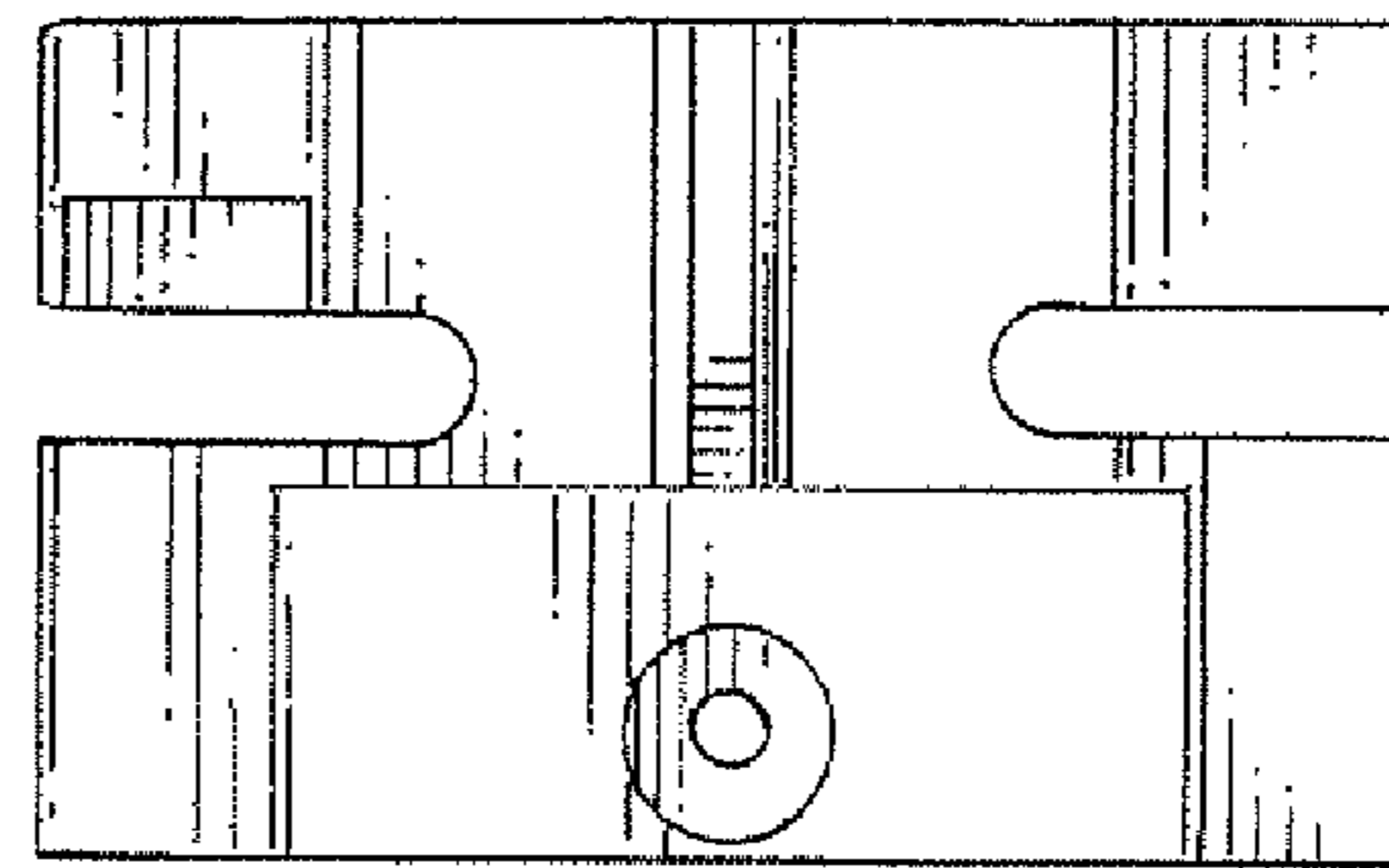


Fig. 6

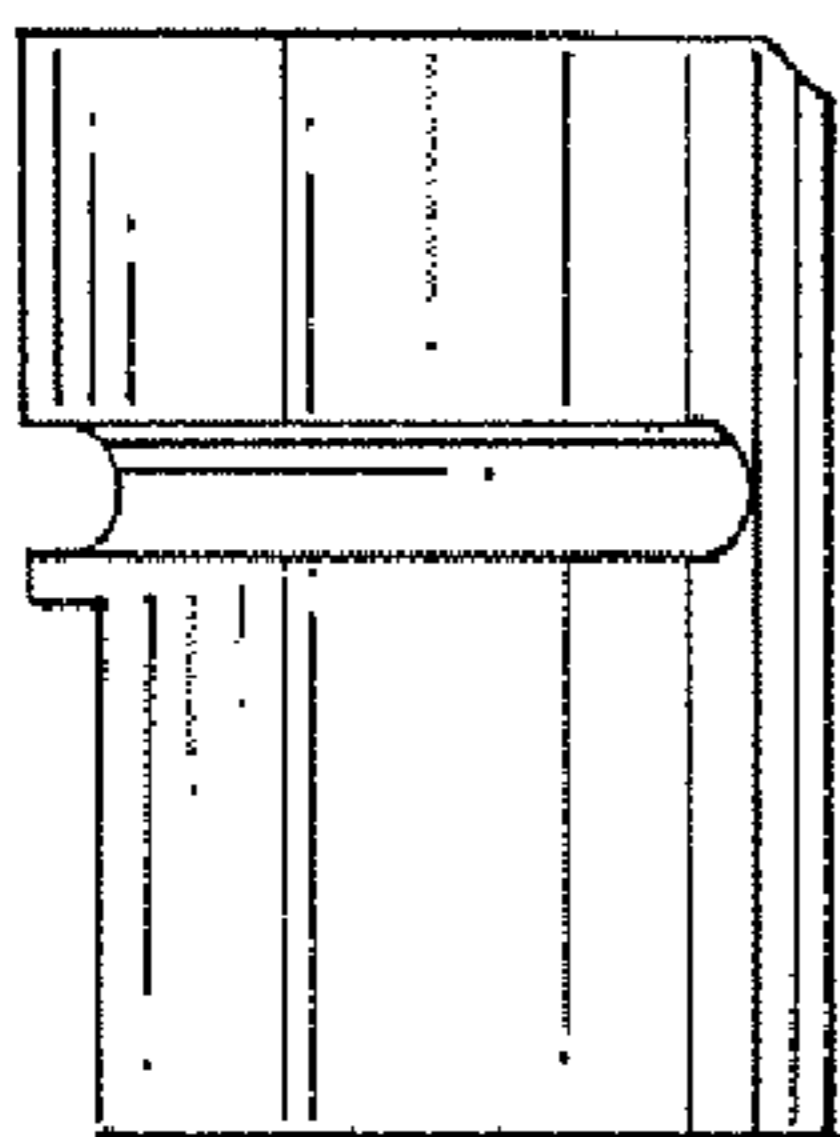


Fig. 8

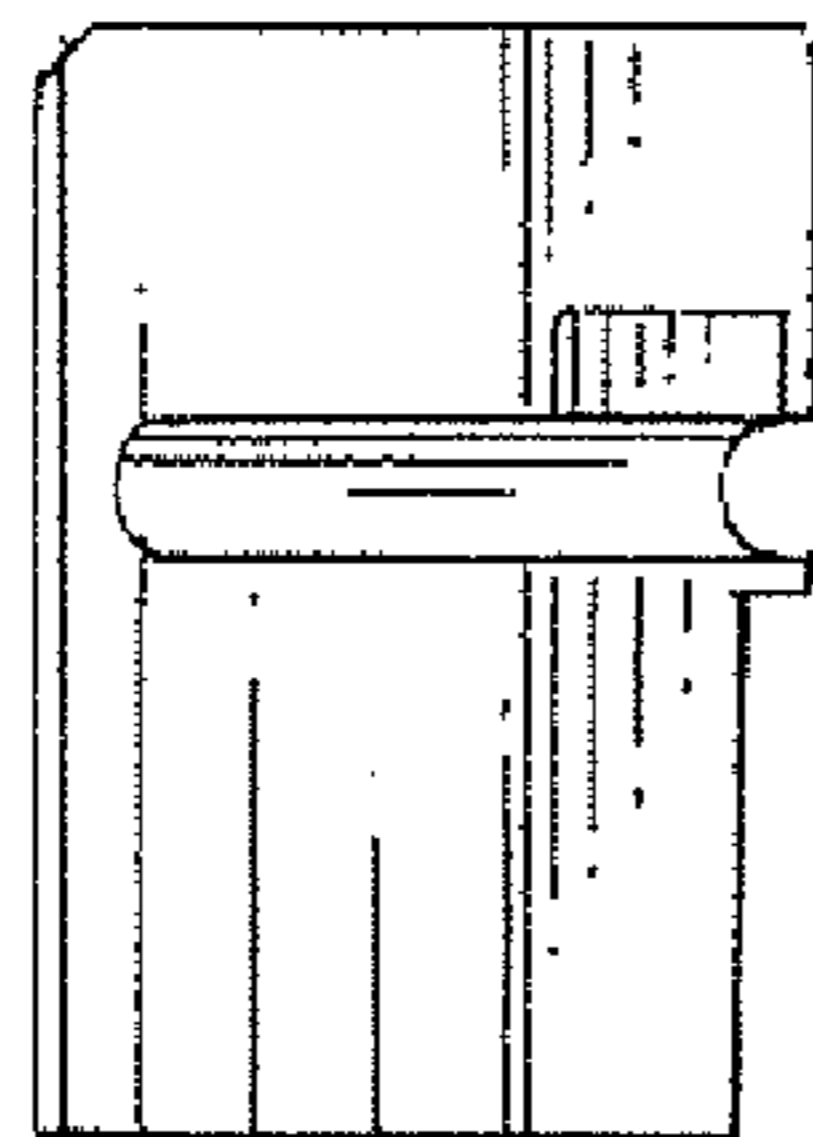


Fig. 9

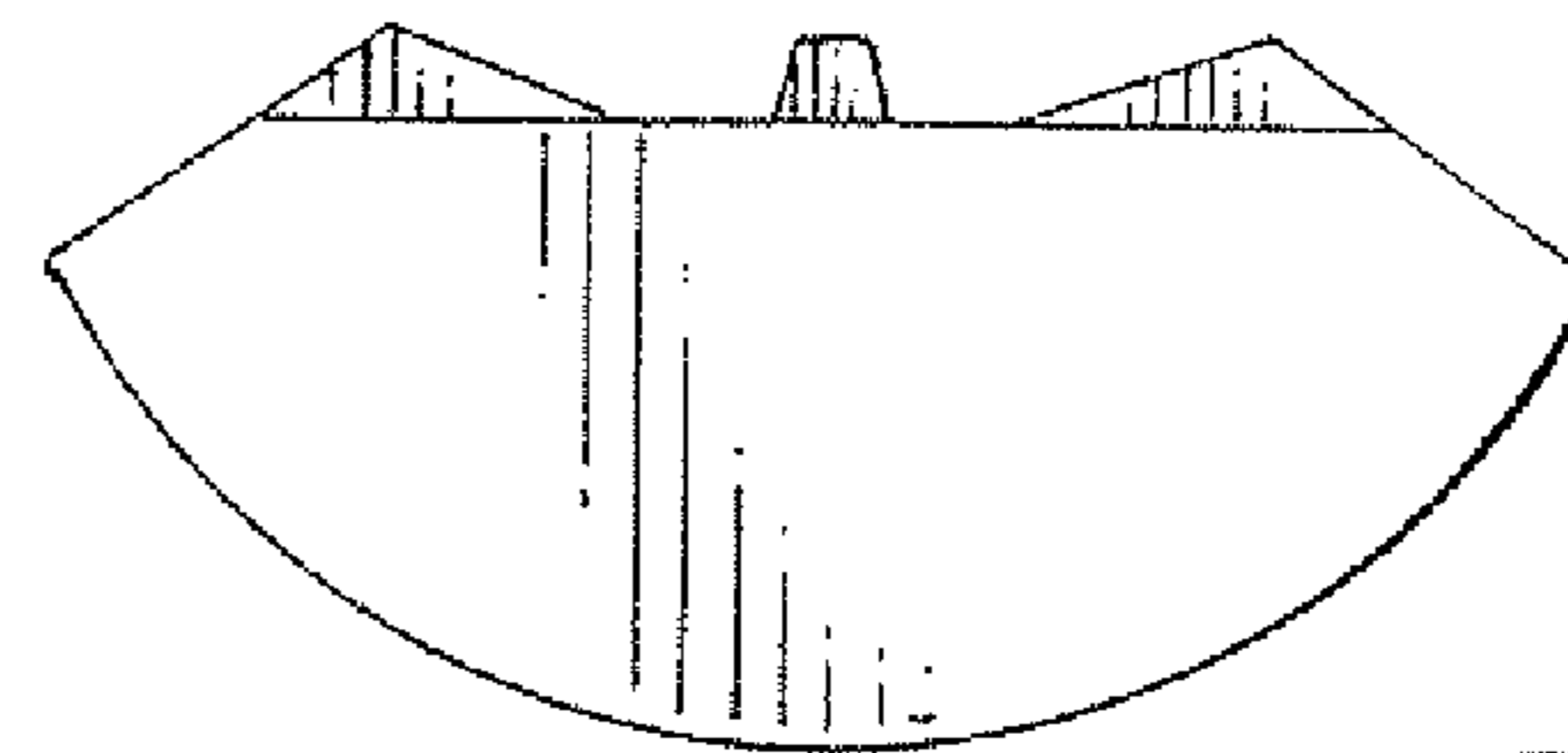


Fig. 7