



US00D550732S

(12) **United States Design Patent**  
**Wright**

(10) **Patent No.:** **US D550,732 S**

(45) **Date of Patent:** **\*\* Sep. 11, 2007**

(54) **NARROW FACETED SLOTTED GROUND JAW**

(75) Inventor: **Douglas F. Wright**, Tucson, AZ (US)

(73) Assignee: **Engineering & Research Associates, Inc.**, Tucson, AZ (US)

(\*\*) Term: **14 Years**

(21) Appl. No.: **29/275,721**

(22) Filed: **Jan. 4, 2007**

(51) **LOC (8) Cl.** ..... **15-99**

(52) **U.S. Cl.** ..... **D15/146**

(58) **Field of Classification Search** ..... D15/21,  
D15/28, 138, 139, 145, 146; 156/273.7,  
156/274.4, 274.6, 358, 380.1, 380.3, 380.6,  
156/380.7, 477.1-489, 583.9; 219/632, 736,  
219/757, 765, 769, 770, 774, 777, 778  
See application file for complete search history.

(56) **References Cited**

**U.S. PATENT DOCUMENTS**

3,932,277	A *	1/1976	McDermott et al.	.....	210/780
4,186,292	A *	1/1980	Acker	.....	219/769
4,490,598	A *	12/1984	Minney et al.	.....	219/769
4,496,819	A *	1/1985	Acker et al.	.....	219/769
D280,515	S *	9/1985	Minney et al.	.....	D15/146
D340,730	S *	10/1993	Myers	.....	D15/146
D385,894	S *	11/1997	Linner	.....	D15/146
D494,608	S *	8/2004	Wright	.....	D15/146

6,784,407	B2 *	8/2004	Wright et al.	.....	219/769
D502,475	S *	3/2005	Wright et al.	.....	D15/146
D502,476	S *	3/2005	Wright et al.	.....	D15/146
7,211,776	B2 *	5/2007	Jensen	.....	219/765
2004/0166591	A1 *	8/2004	Niston	.....	436/180

\* cited by examiner

*Primary Examiner*—Antoine D. Davis

*Assistant Examiner*—Patricia Palasik

(74) *Attorney, Agent, or Firm*—Cahill, von Hellens & Glazer P.L.C.

(57) **CLAIM**

The ornamental design for a narrow faceted slotted ground jaw, as shown and described.

**DESCRIPTION**

FIG. 1 is a perspective view of a narrow faceted slotted ground jaw showing my new design, the tubing sealer shown in dashed lines is included as part of the environment of my invention and forms no part of the claimed design;

FIG. 2 is a top rear left isometric view thereof;

FIG. 3 is a top front right isometric view thereof;

FIG. 4 is a top plan view thereof;

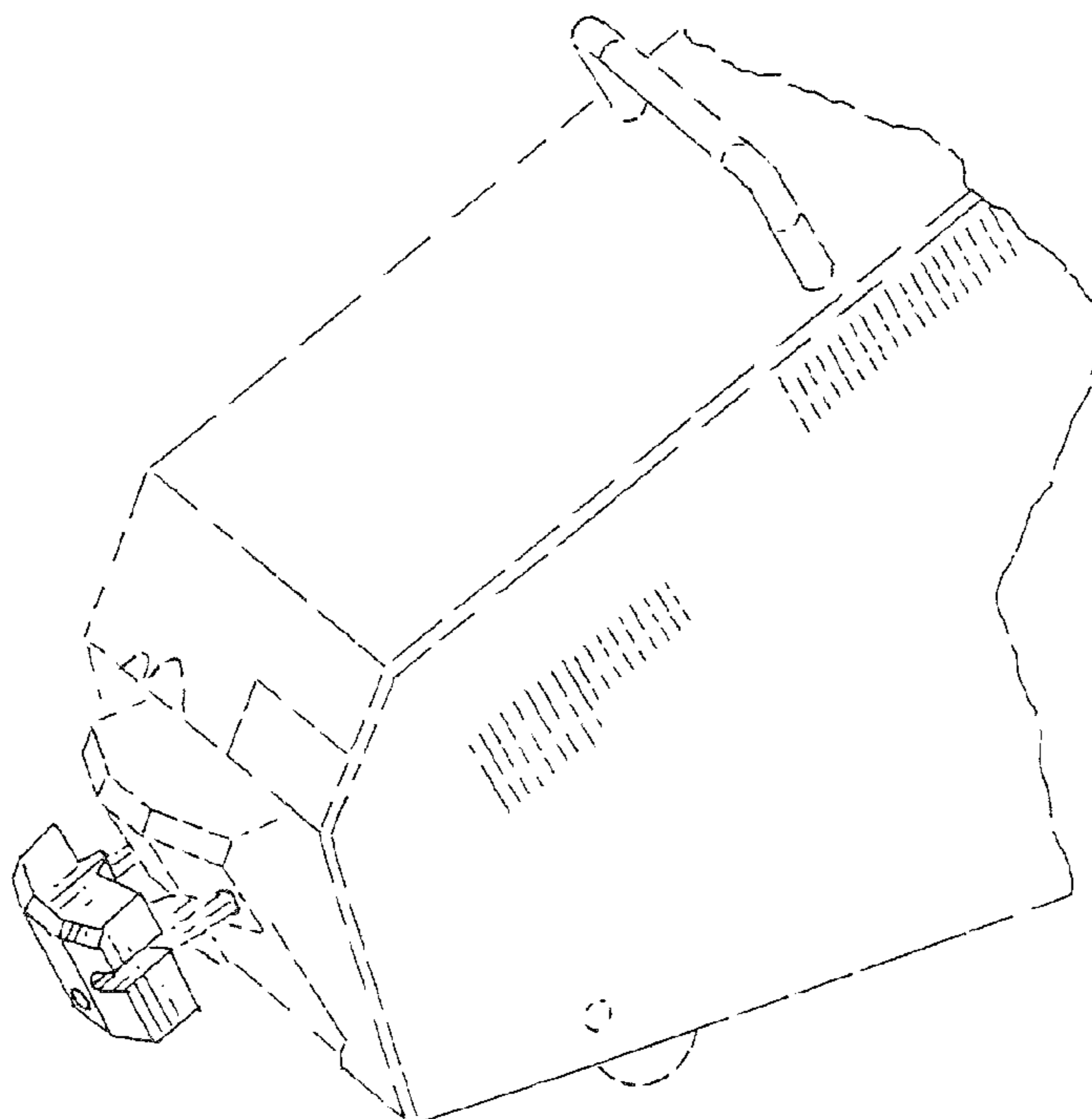
FIG. 5 is a front elevational view thereof;

FIG. 6 is a bottom plan view thereof;

FIG. 7 is a rear elevational view thereof; and,

FIG. 8 is a right side elevational view thereof.

**1 Claim, 1 Drawing Sheet**



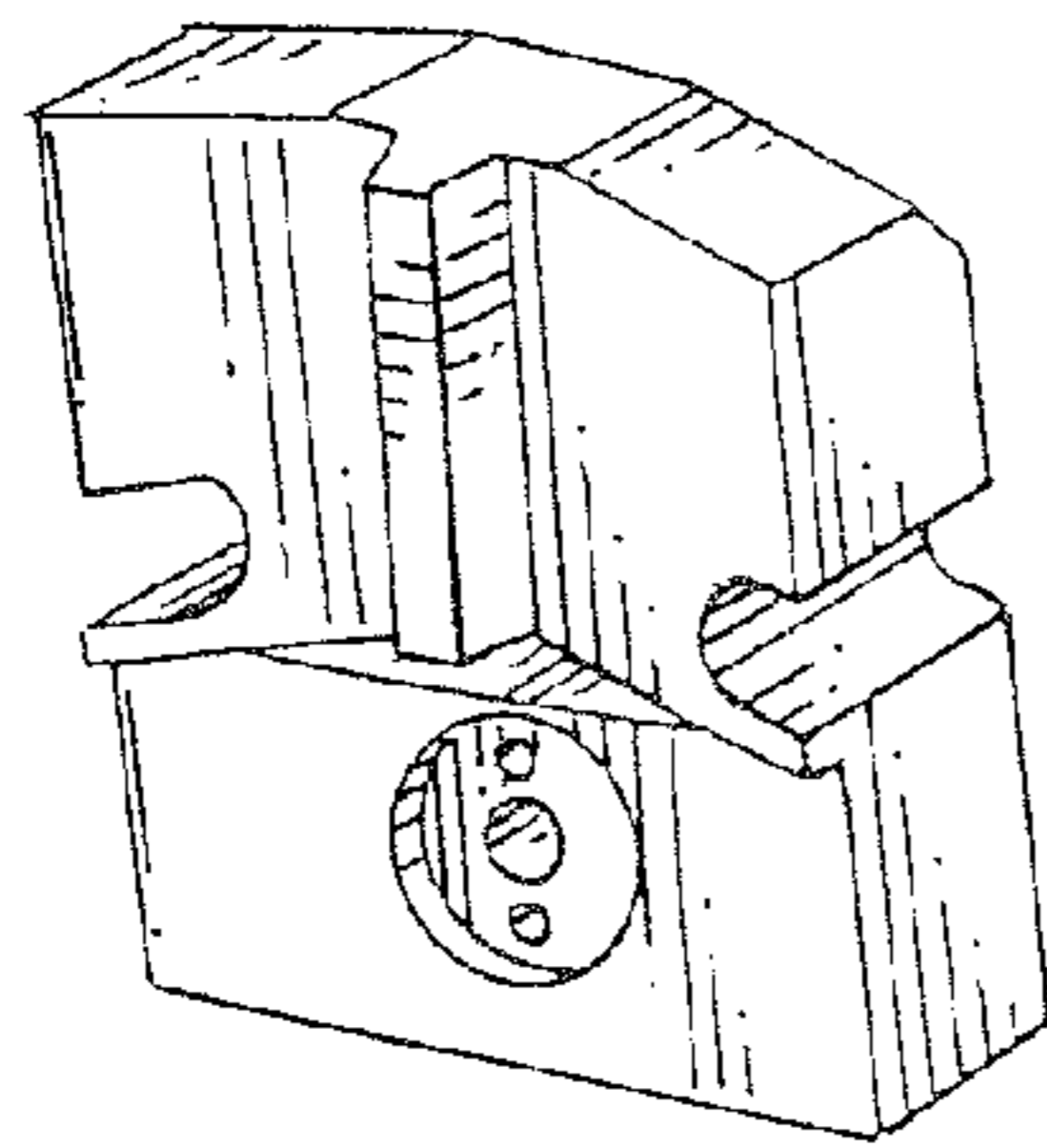


Fig. 2

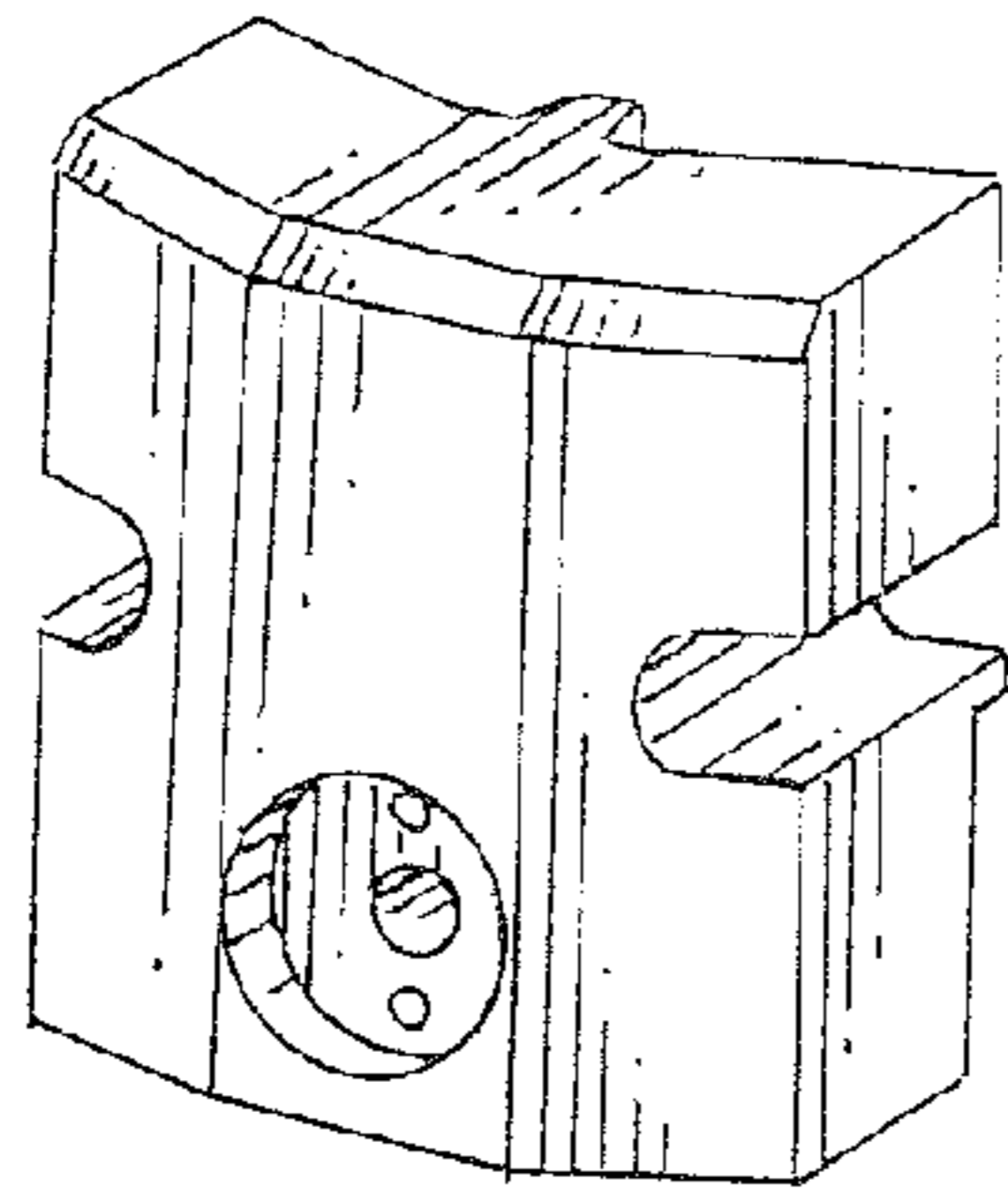


Fig. 3

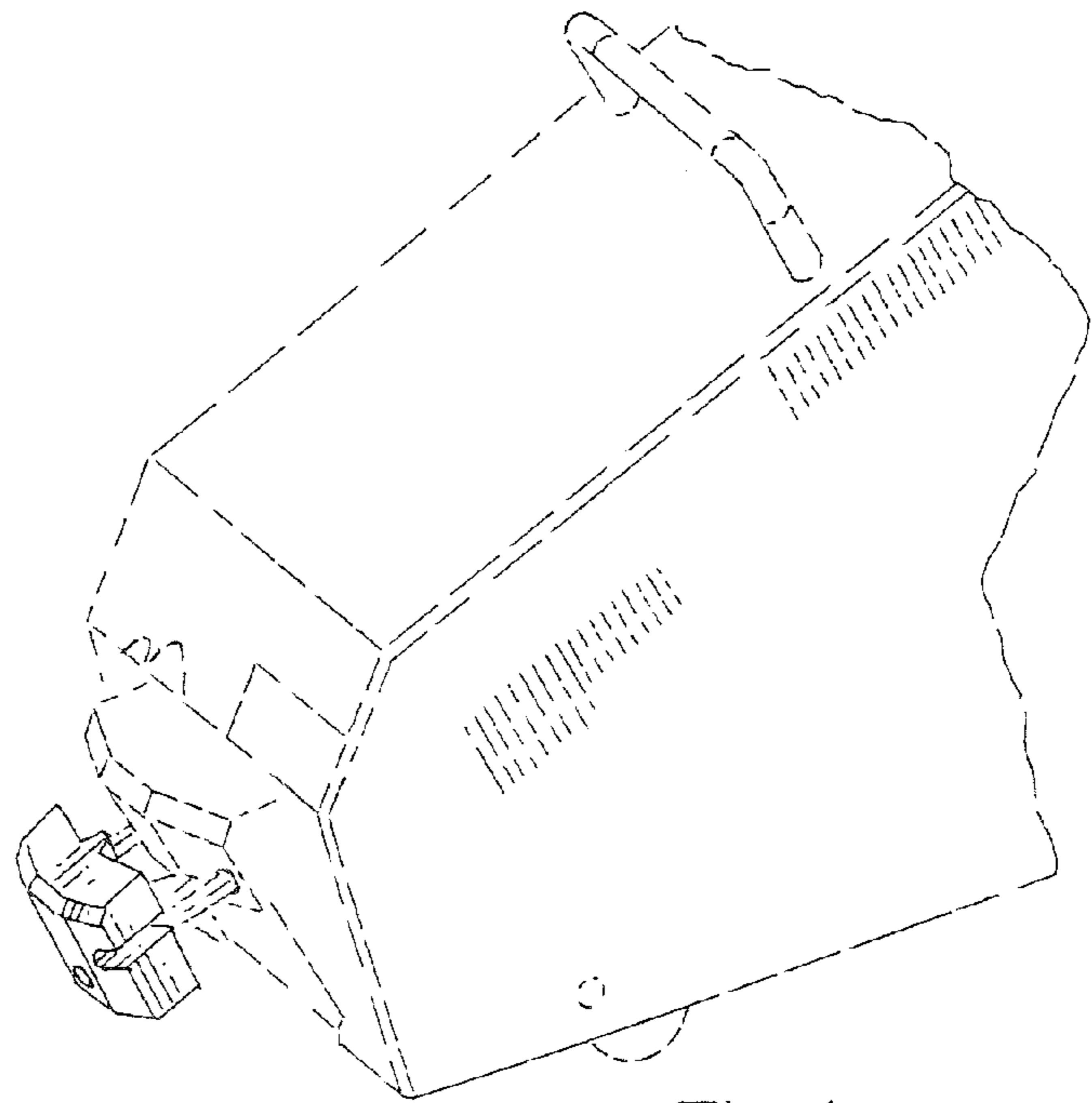


Fig. 1

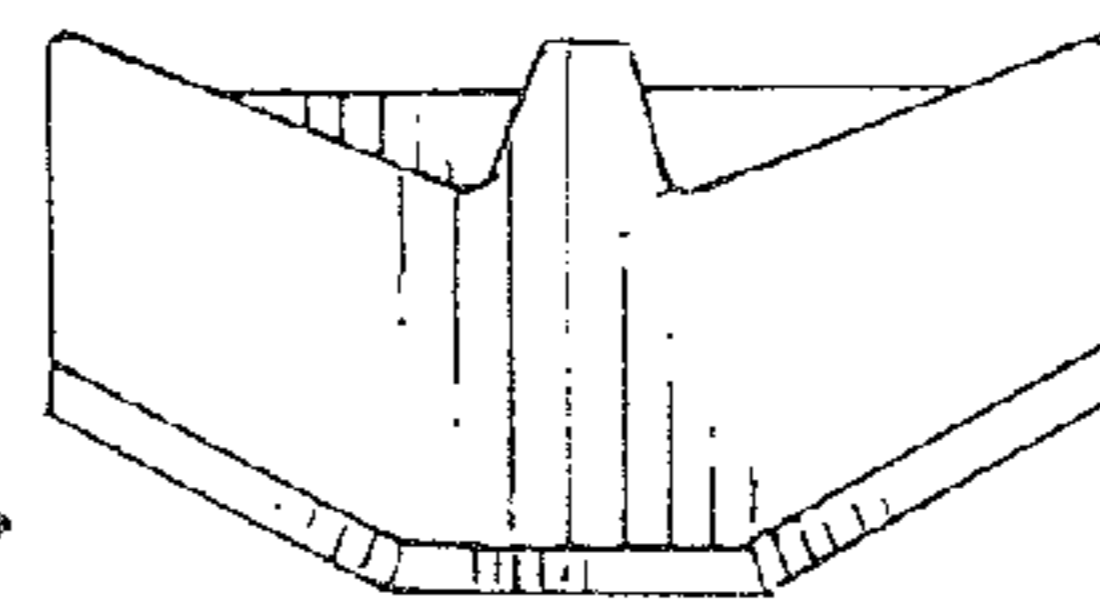


Fig. 4

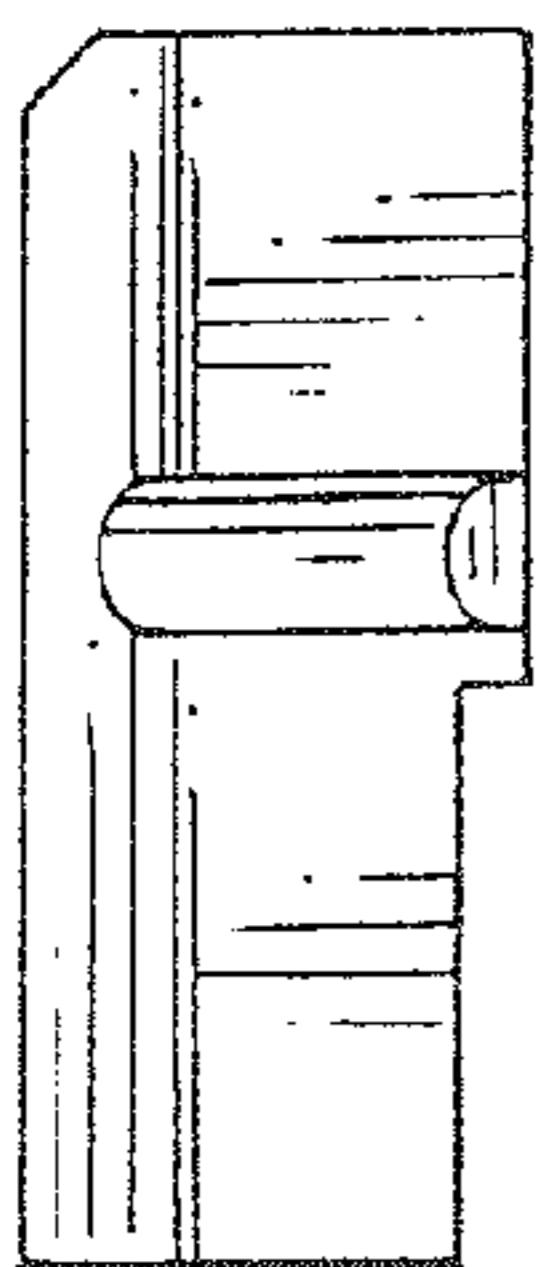


Fig. 8

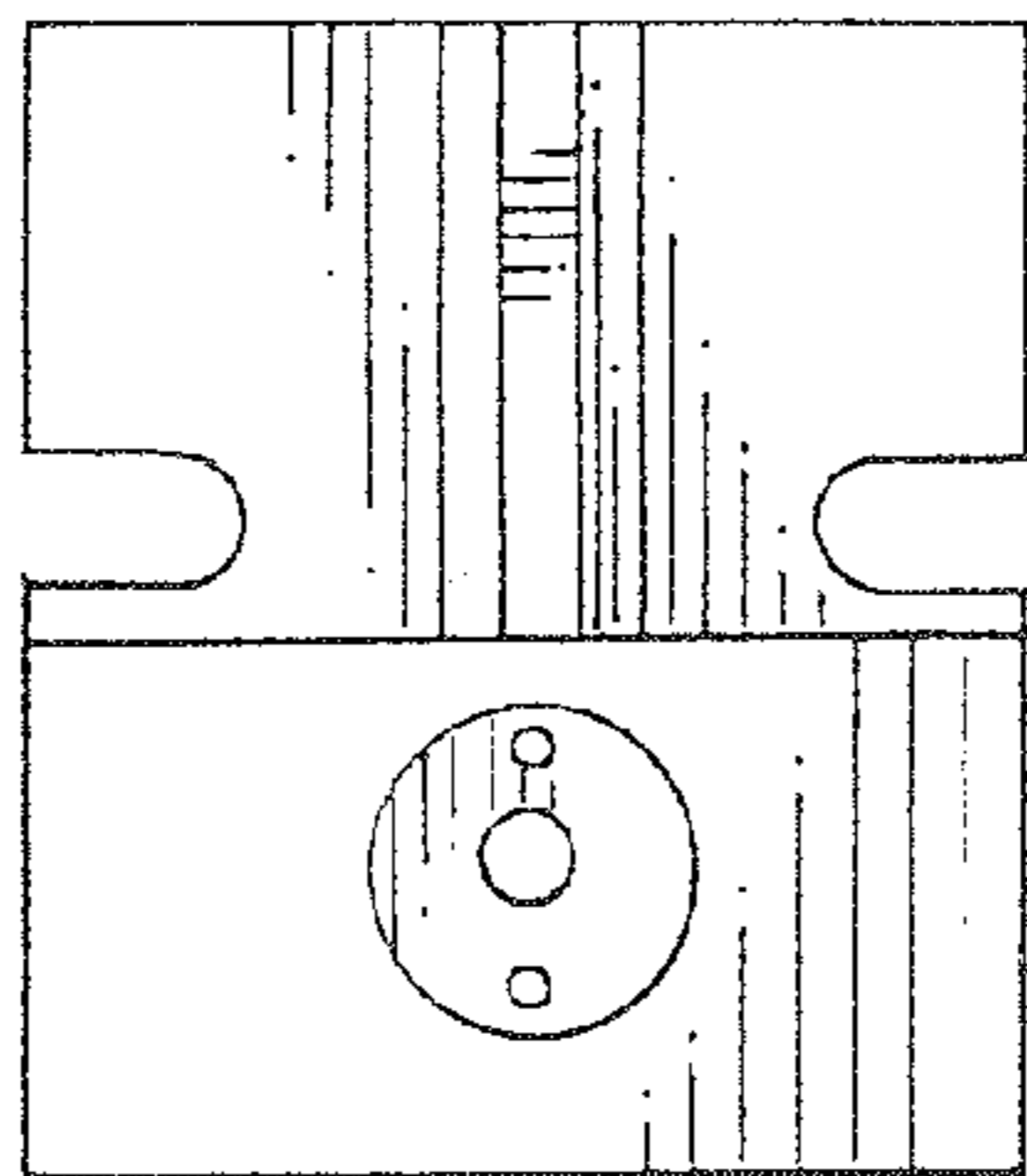


Fig. 7

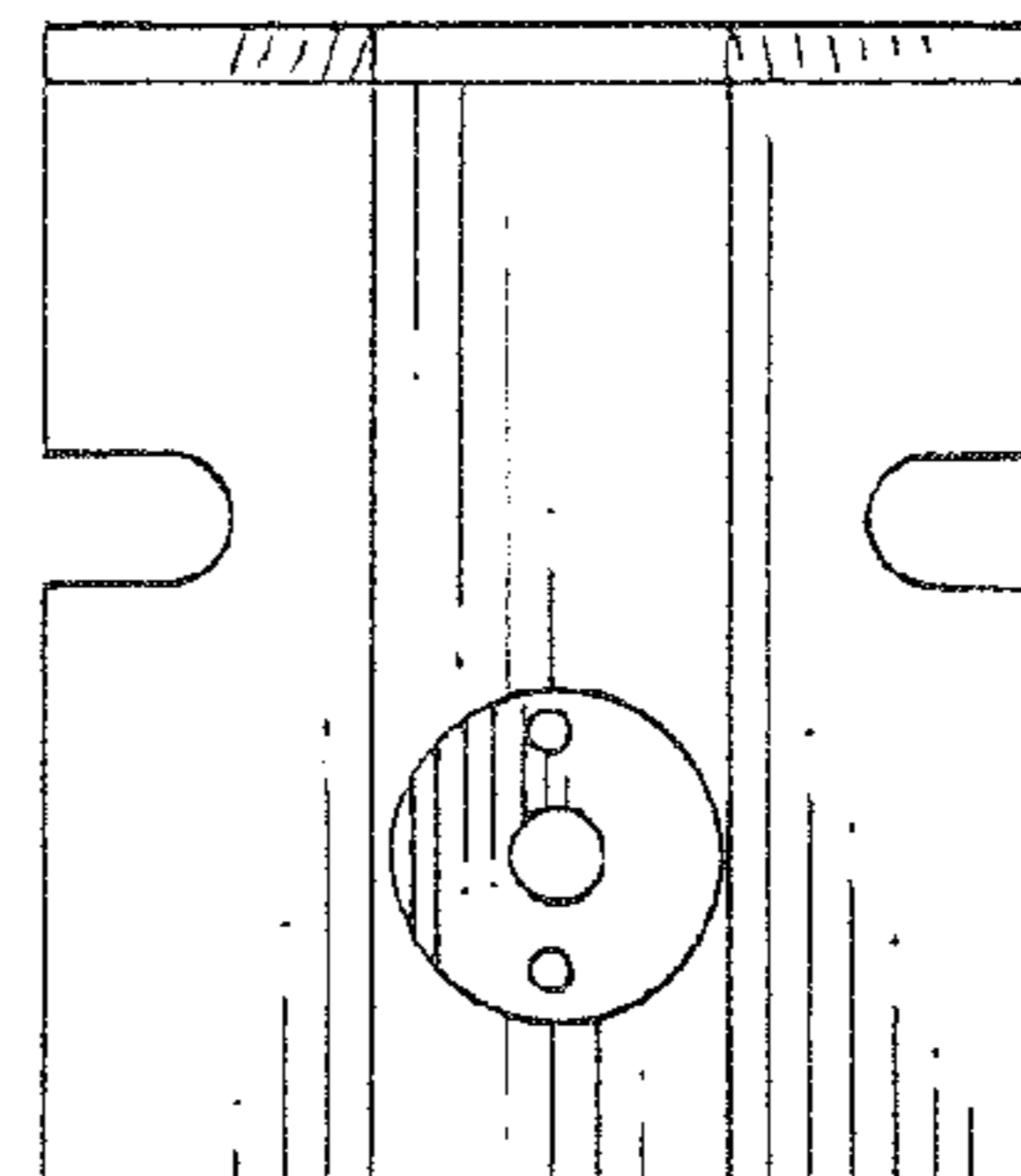


Fig. 5

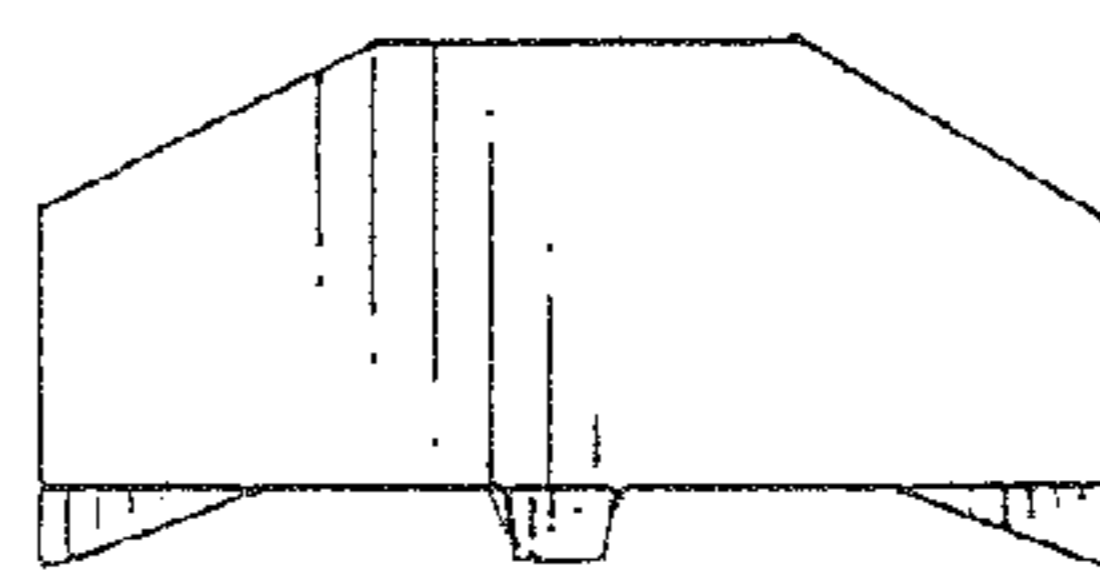


Fig. 6