



US00D550729S

(12) **United States Design Patent** (10) **Patent No.:** **US D550,729 S**
Wikle (45) **Date of Patent:** **** Sep. 11, 2007**

(54) **SAW** 2001/0008098 A1* 7/2001 Dibbern et al. 83/471.3

(75) Inventor: **David L. Wikle**, York, PA (US)

(73) Assignee: **Black & Decker Inc.**, Newark, DE (US)

(**) Term: **14 Years**

(21) Appl. No.: **29/269,123**

(22) Filed: **Nov. 21, 2006**

Related U.S. Application Data

(63) Continuation of application No. 29/257,093, filed on Mar. 29, 2006, now abandoned.

(51) **LOC (8) Cl.** **15-09**

(52) **U.S. Cl.** **D15/133**

(58) **Field of Classification Search** D15/133;
30/377-378, 388-391, 517-525; 83/471.2-471.3,
83/472, 477.1-477.2, 581
See application file for complete search history.

(56) **References Cited**

U.S. PATENT DOCUMENTS

D282,346 S	1/1986	Pioch	
D409,066 S	5/1999	Welsh	
D415,001 S	10/1999	Welsh	
D420,021 S	2/2000	Higuchi et al.	
6,478,664 B2	11/2002	Brazell	
D467,256 S	12/2002	Chunn et al.	
D479,252 S *	9/2003	Ozawa et al.	D15/133
6,658,976 B2	12/2003	Dils et al.	
D487,280 S	3/2004	Hon et al.	
D490,826 S	6/2004	Wu	
D520,031 S *	5/2006	Wikle et al.	D15/133

FOREIGN PATENT DOCUMENTS

DE	M9410109	12/1994
DE	49900494	1/1999
DE	40302259	9/2002
DE	40209840	11/2002
DE	40210127	11/2002

* cited by examiner

Primary Examiner—Antoine D. Davis

Assistant Examiner—Patricia Palasik

(74) *Attorney, Agent, or Firm*—Mehul R. Jani; Adan Ayala

(57) **CLAIM**

The ornamental design for a saw, as shown and described.

DESCRIPTION

FIG. 1 is a perspective view of a saw showing the new design.

FIG. 2 is a front elevational view of the saw of FIG. 1.

FIG. 3 is a rear elevational view of the saw of FIG. 1.

FIG. 4 is a right side elevational view of the saw of FIG. 1.

FIG. 5 is a left side elevational view of the saw of FIG. 1.

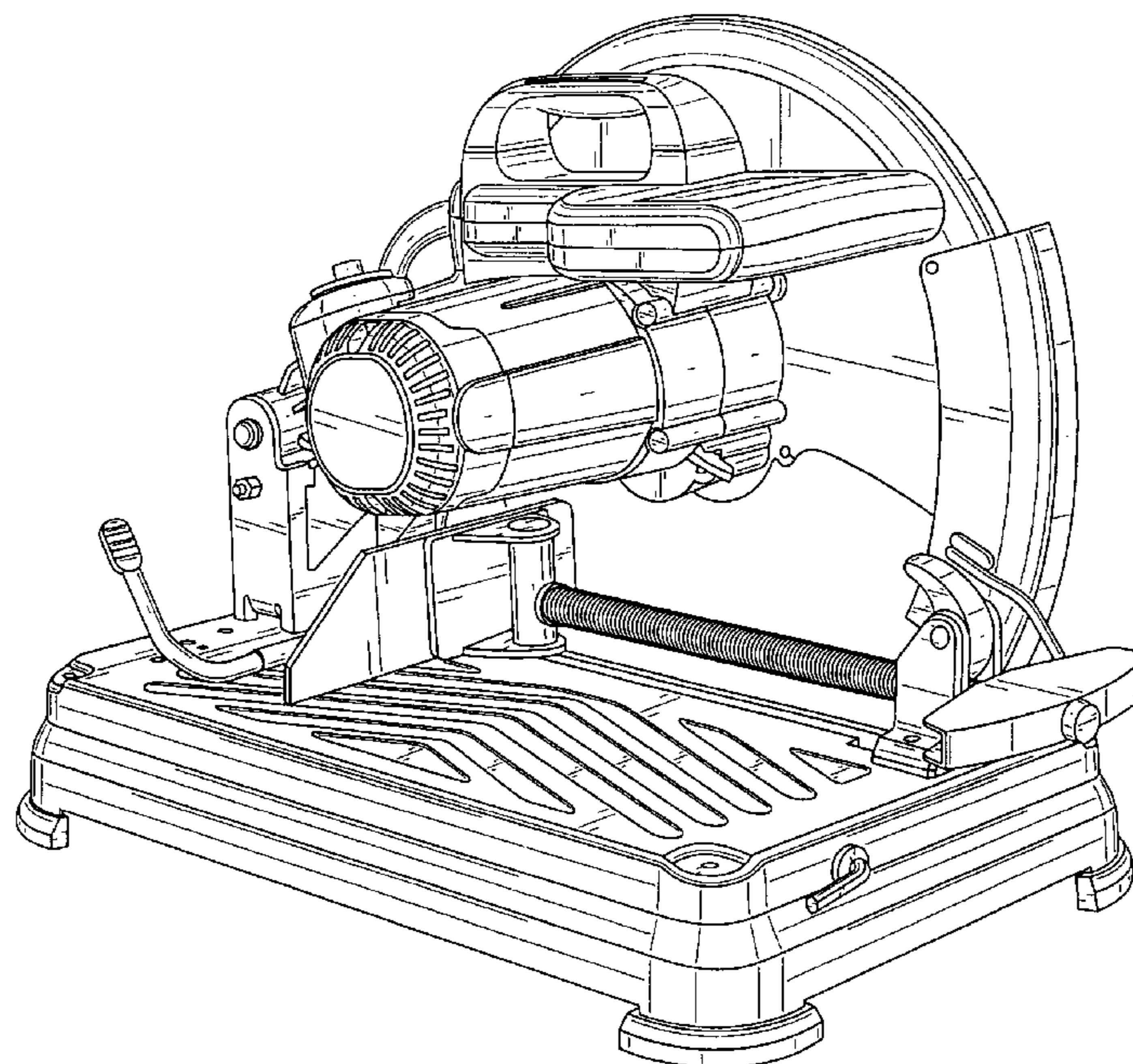
FIG. 6 is a top plan view of the saw of FIG. 1.

FIG. 7 is a bottom plan view of the saw of FIG. 1; and,

FIG. 8 is a perspective view of the saw of FIG. 1 in a first position.

The broken line showing of the saw blade is included for the purpose of illustrating portions of the “article” and forms no part of the claimed design.

1 Claim, 8 Drawing Sheets



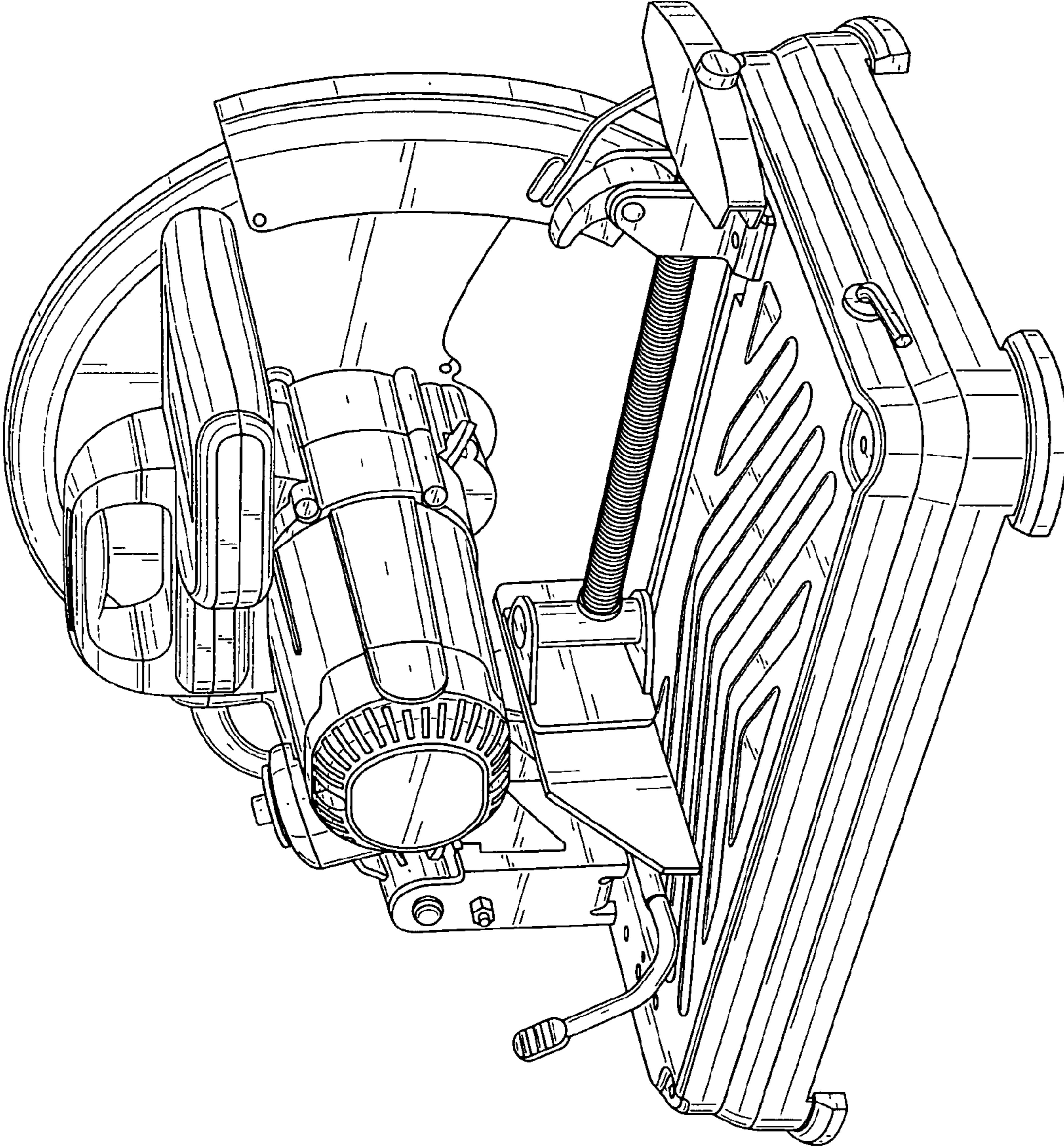


FIG. 1

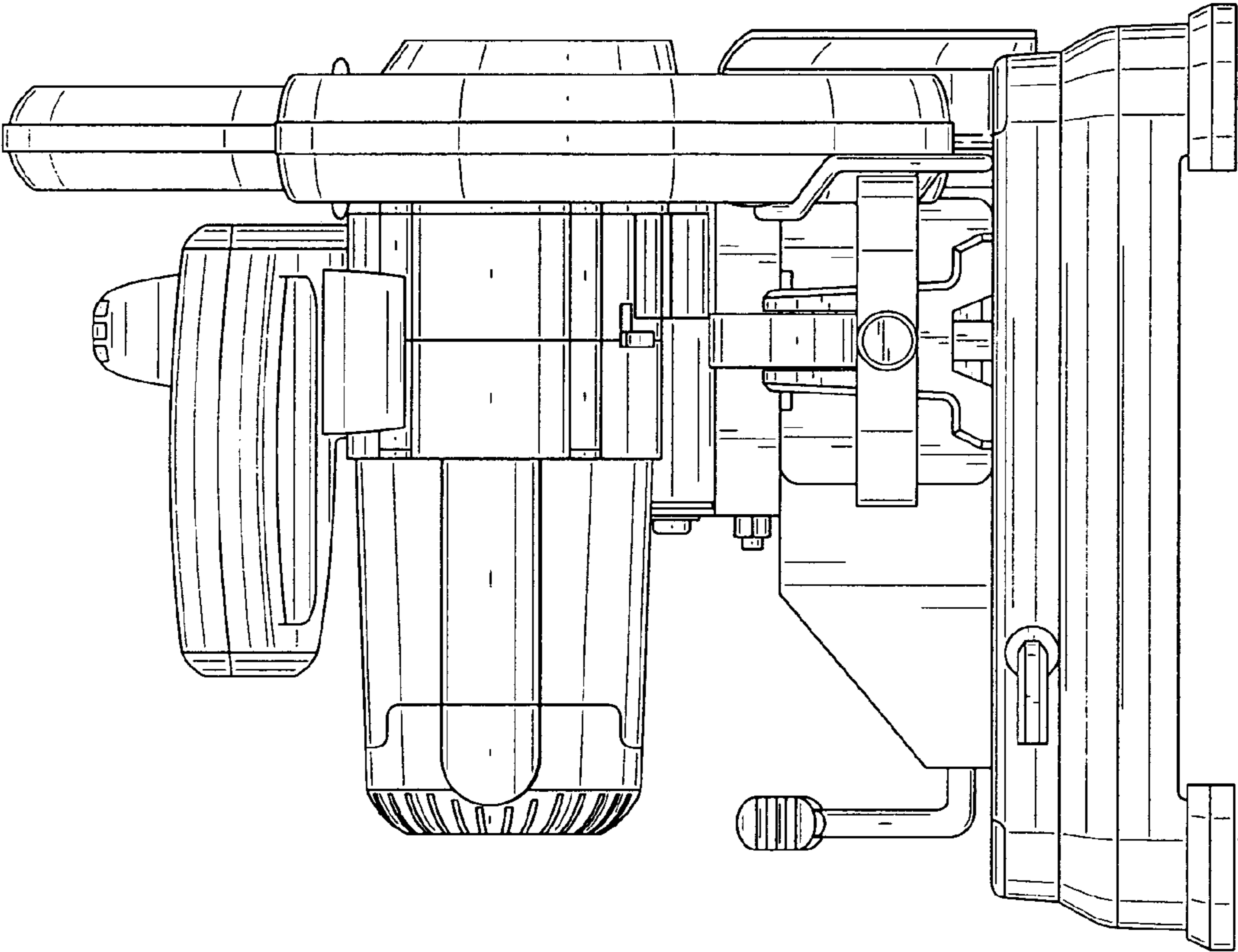


FIG. 2

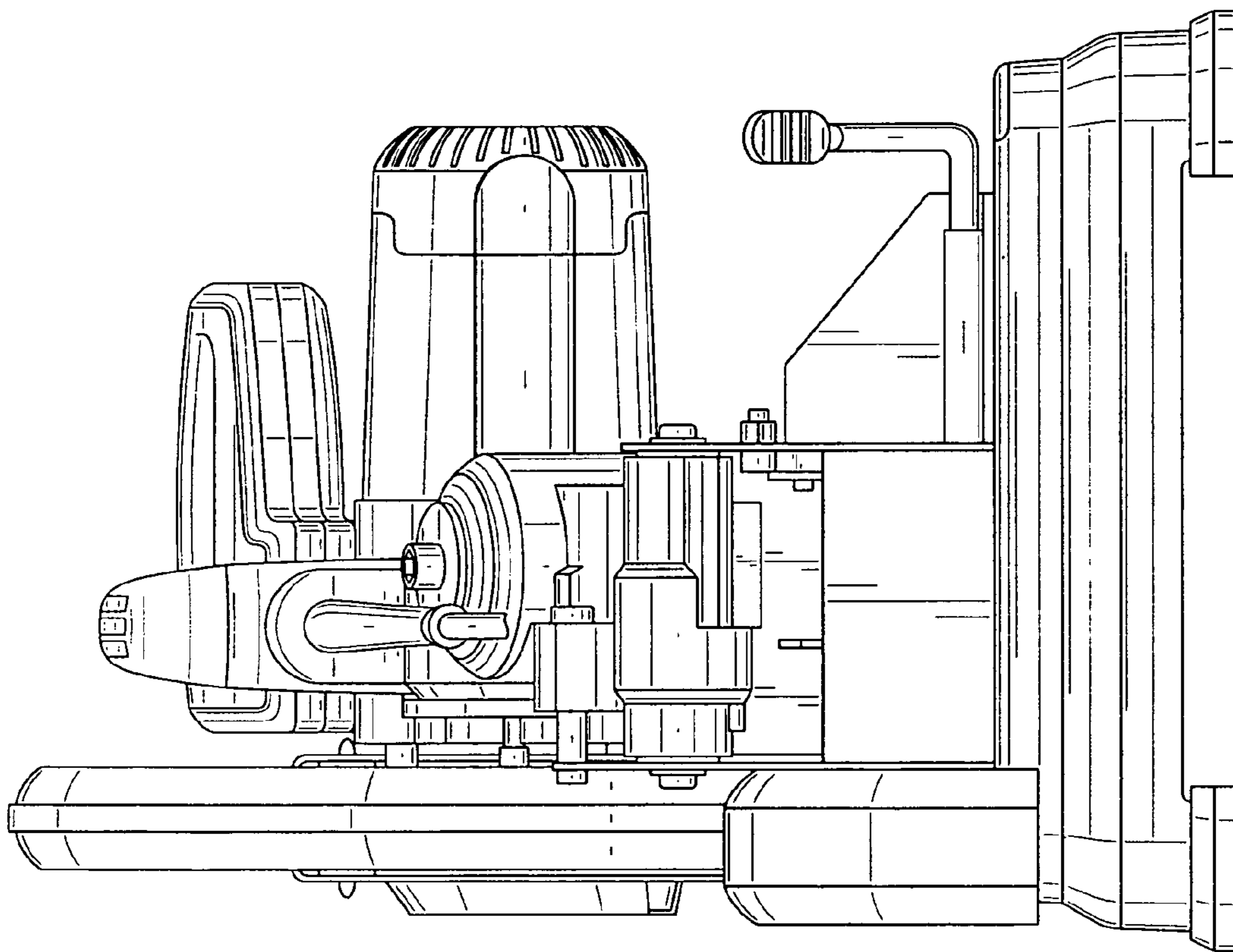


FIG. 3

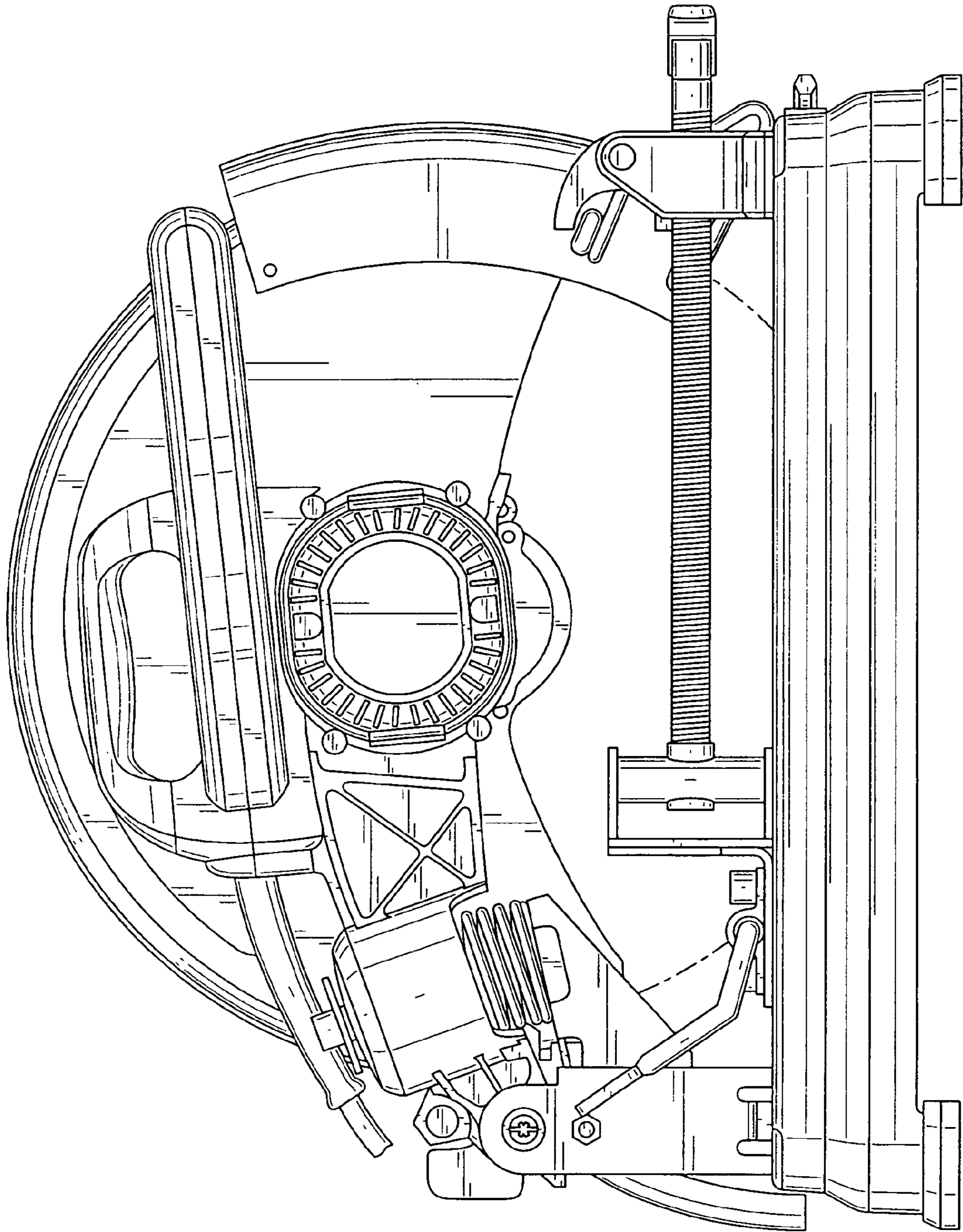


FIG. 4

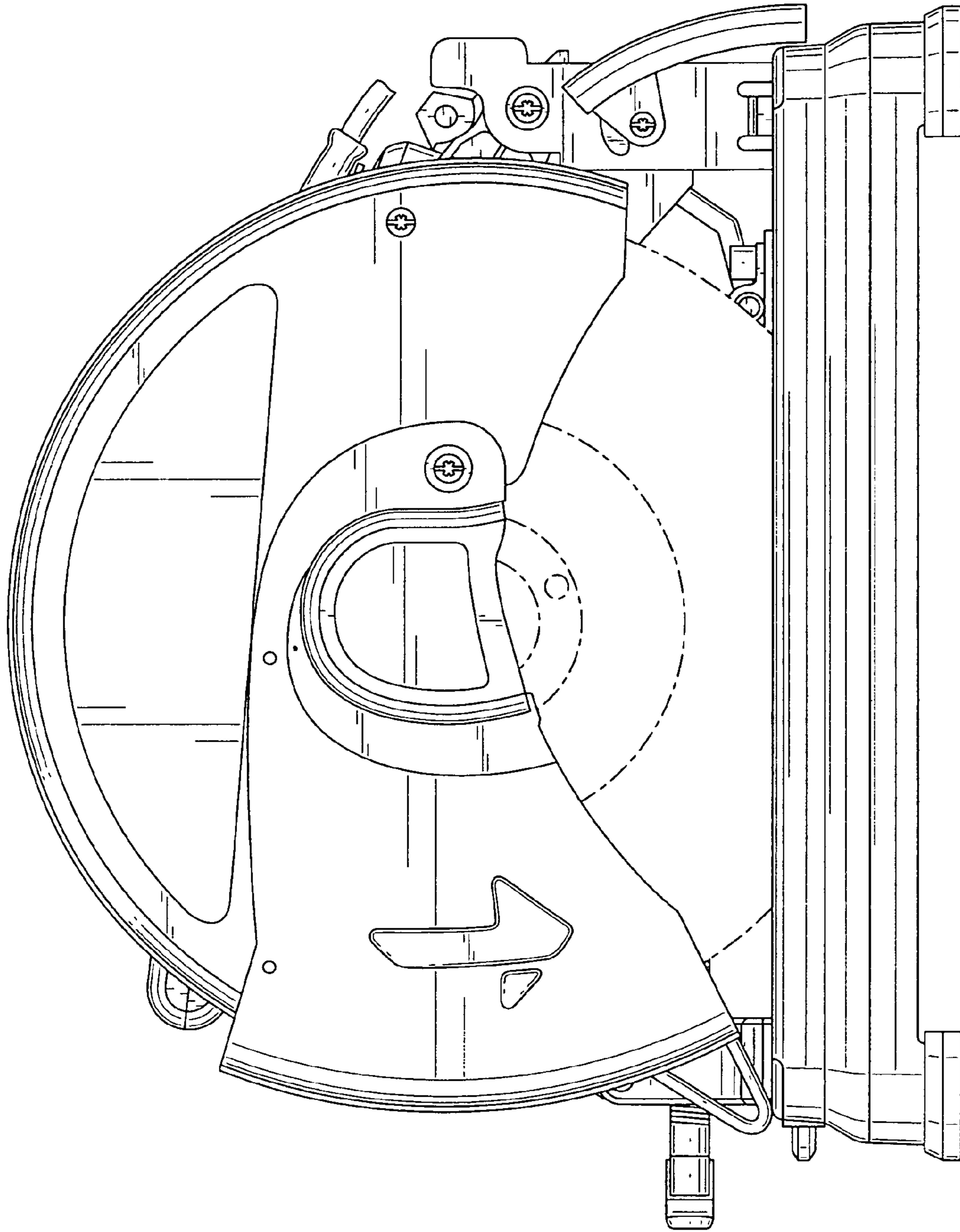


FIG. 5

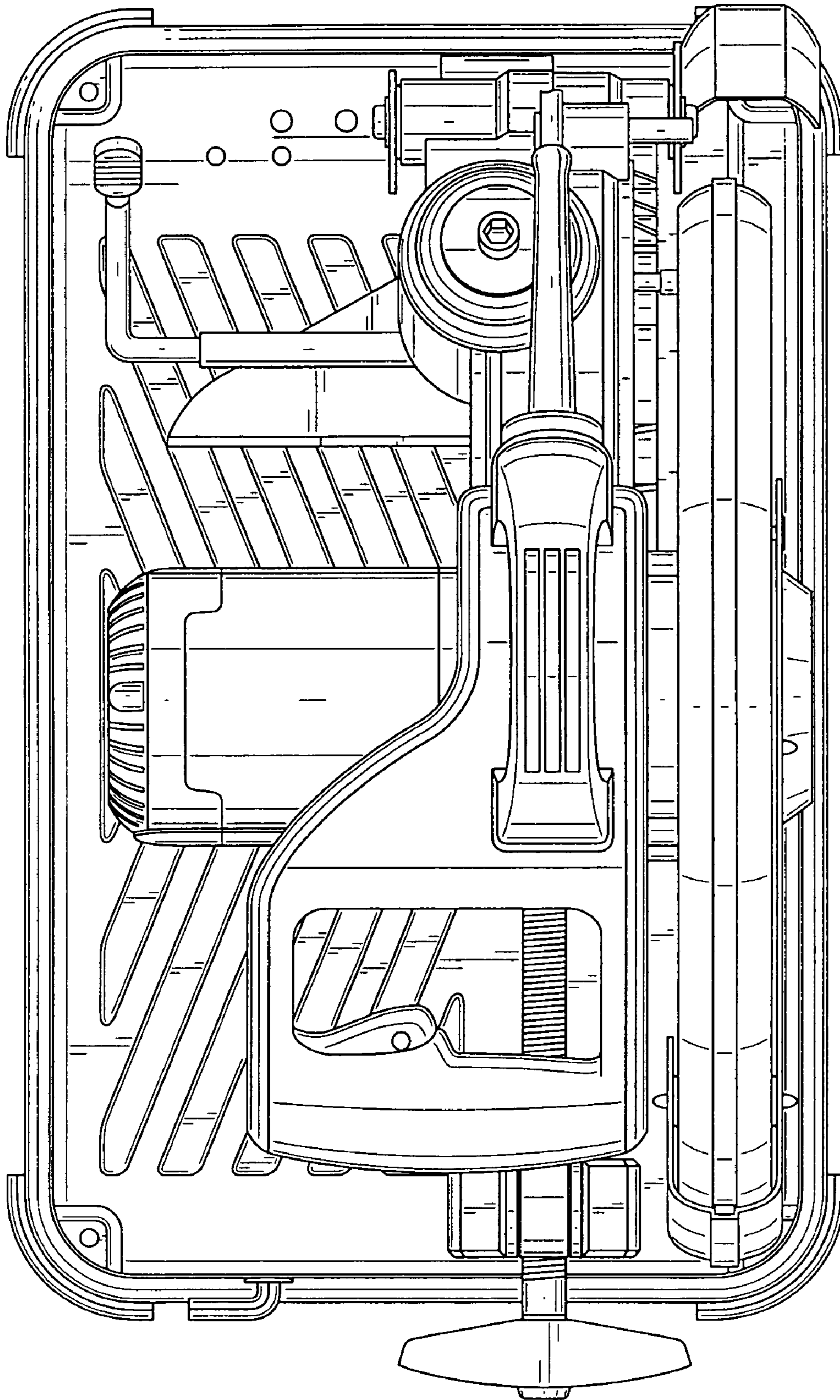


FIG. 6

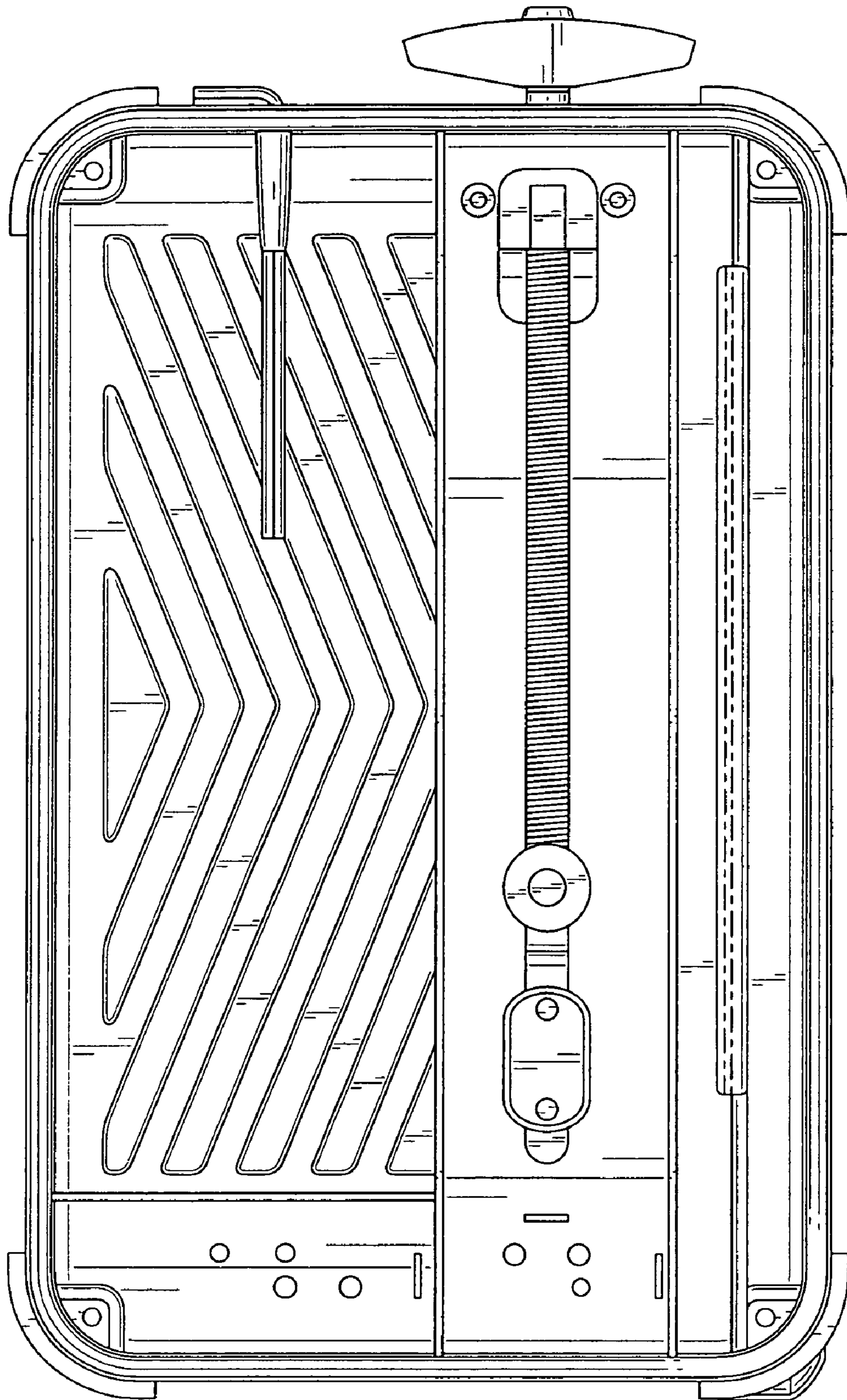


FIG. 7

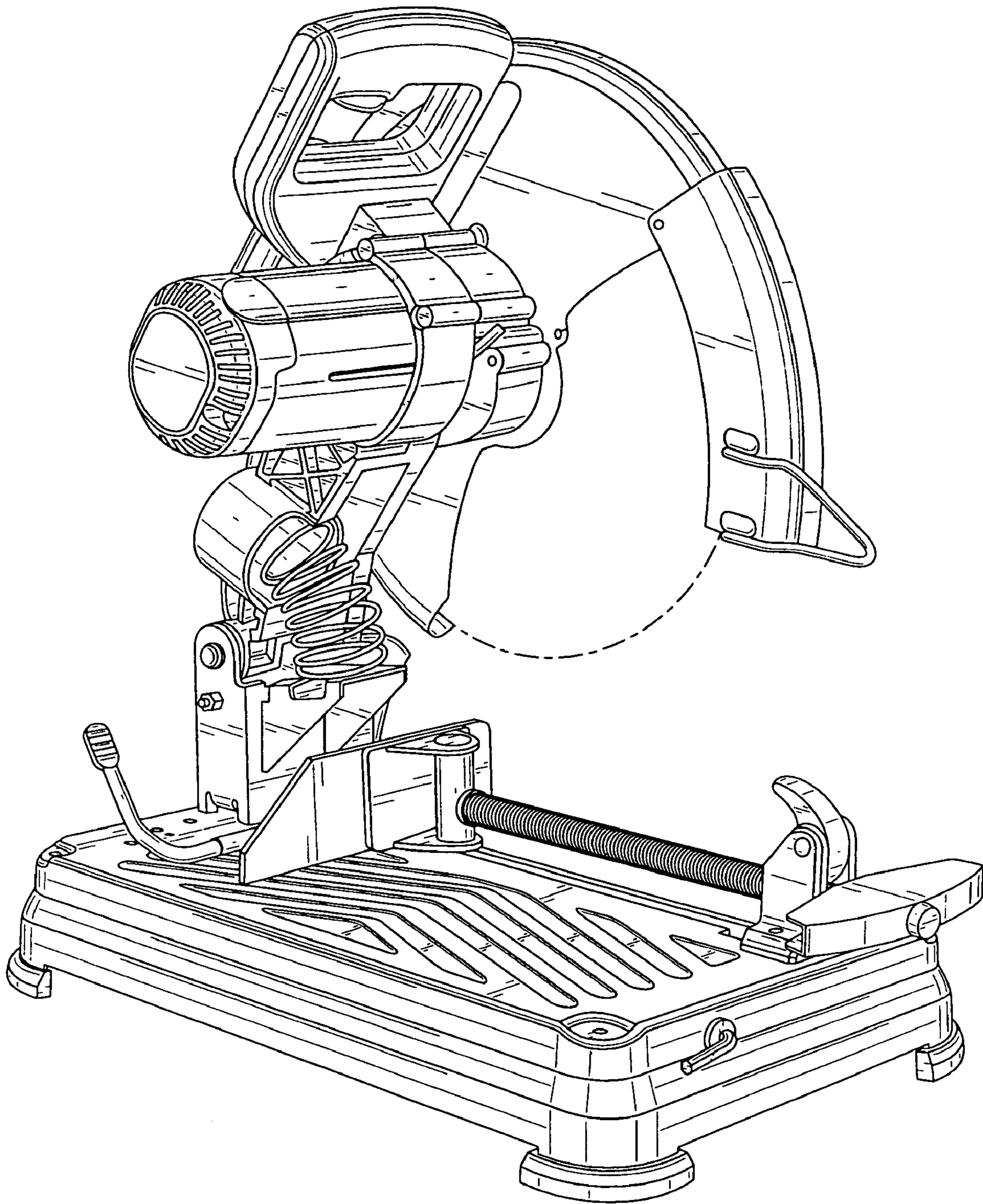


FIG. 8