



US00D550727S

(12) **United States Design Patent**  
**Vardon**

(10) **Patent No.:** **US D550,727 S**

(45) **Date of Patent:** **\*\* Sep. 11, 2007**

(54) **REFRIGERATOR SHELF**

(75) Inventor: **François Vardon**, El Marqués (MX)

(73) Assignee: **Saint-Gobain Glass France**,  
Courbevoie (FR)

(\*\*) Term: **14 Years**

(21) Appl. No.: **29/275,117**

(22) Filed: **Dec. 14, 2006**

(51) **LOC (8) Cl.** ..... **15-07**

(52) **U.S. Cl.** ..... **D15/91**

(58) **Field of Classification Search** ..... D15/79,  
D15/85, 89; 62/3.6, 246-255, 337, 440-449,  
62/457; 312/116, 247, 270.3, 319, 401, 408;  
220/4.31, 533, 592.1-592.4; D6/627; 428/122;  
29/451; 211/153; 248/153

See application file for complete search history.

(56) **References Cited**

**U.S. PATENT DOCUMENTS**

D142,904 S	11/1945	Paddock
D309,461 S	7/1990	Bussan et al.
5,332,611 A	7/1994	Shanok et al.
5,677,030 A	10/1997	Shanok et al.
5,735,589 A	4/1998	Herrmann et al.
6,105,233 A	8/2000	Neal
D482,560 S	11/2003	Danilovski
6,679,573 B2	1/2004	Bienick
D495,720 S	9/2004	Barcenas et al.
D512,732 S	12/2005	Vardon
D515,598 S	2/2006	Vardon
D515,599 S	2/2006	Vardon
D516,100 S	2/2006	Vardon

D516,101 S	2/2006	Vardon	
D516,102 S	2/2006	Vardon	
D517,102 S	3/2006	Vardon	
D523,034 S	6/2006	Vardon	
D523,450 S	6/2006	Vardon	
D525,269 S	7/2006	Vardon	
D525,633 S	7/2006	Vardon	
2003/0222043 A1 *	12/2003	Rouch et al.	211/153
2005/0017143 A1 *	1/2005	Bronsink et al.	248/250
2005/0062380 A1 *	3/2005	Park et al.	312/408

\* cited by examiner

*Primary Examiner*—Stella Reid

*Assistant Examiner*—Shanda C. Hill

(74) *Attorney, Agent, or Firm*—Oblon, Spivak, McClelland,  
Maier & Neustadt, P.C.

(57) **CLAIM**

The ornamental design for a refrigerator shelf, as shown and described.

**DESCRIPTION**

FIG. 1 is a front view of a refrigerator shelf, showing my new design;

FIG. 2 is a rear view thereof;

FIG. 3 is a top view thereof;

FIG. 4 is a bottom view thereof;

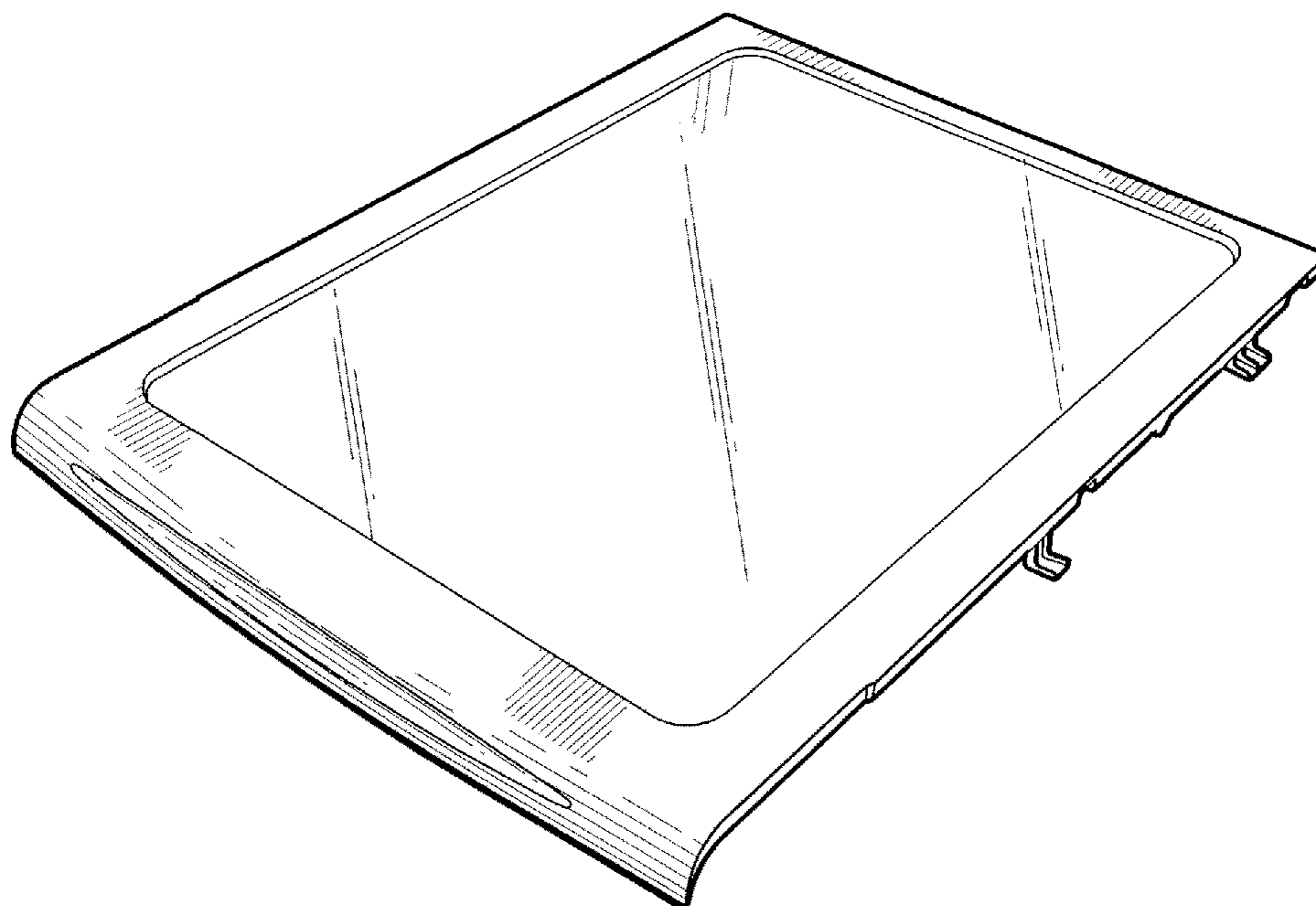
FIG. 5 is a right side view thereof;

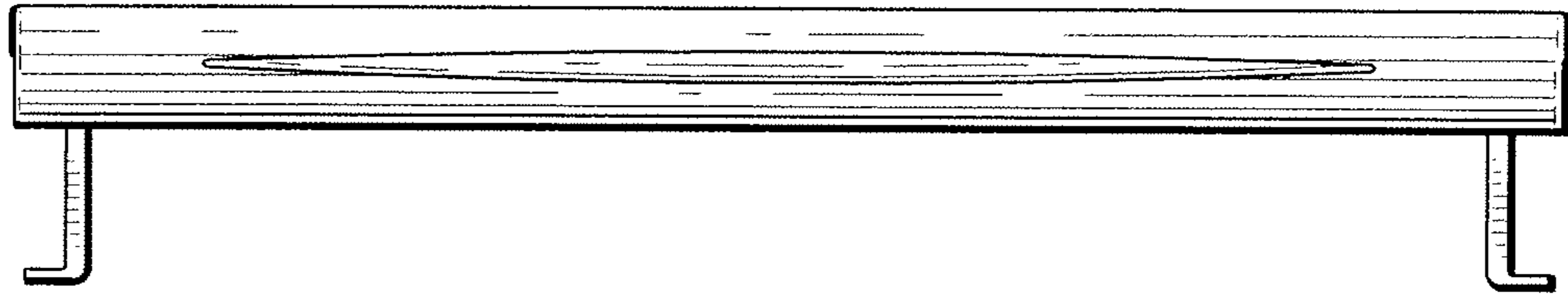
FIG. 6 is a left side view thereof;

FIG. 7 is a top, front, left perspective view thereof; and,

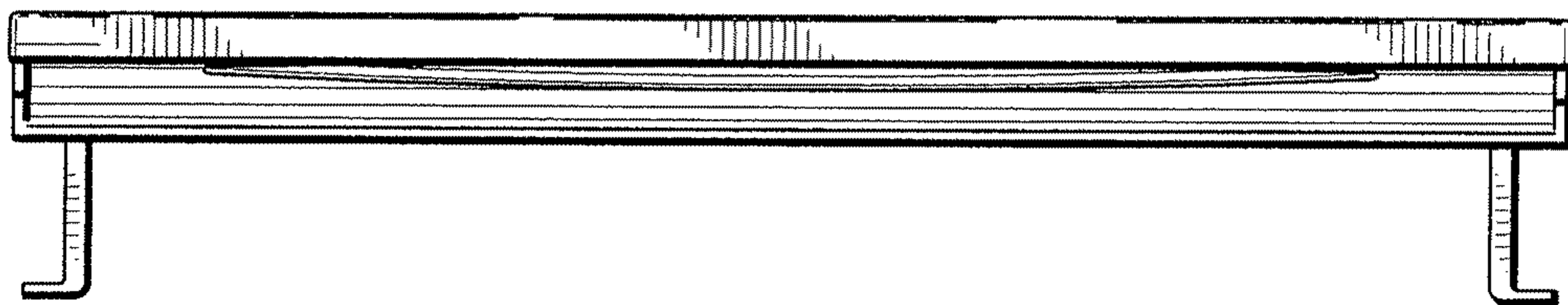
FIG. 8 is a bottom, front, left perspective view thereof.

**1 Claim, 6 Drawing Sheets**

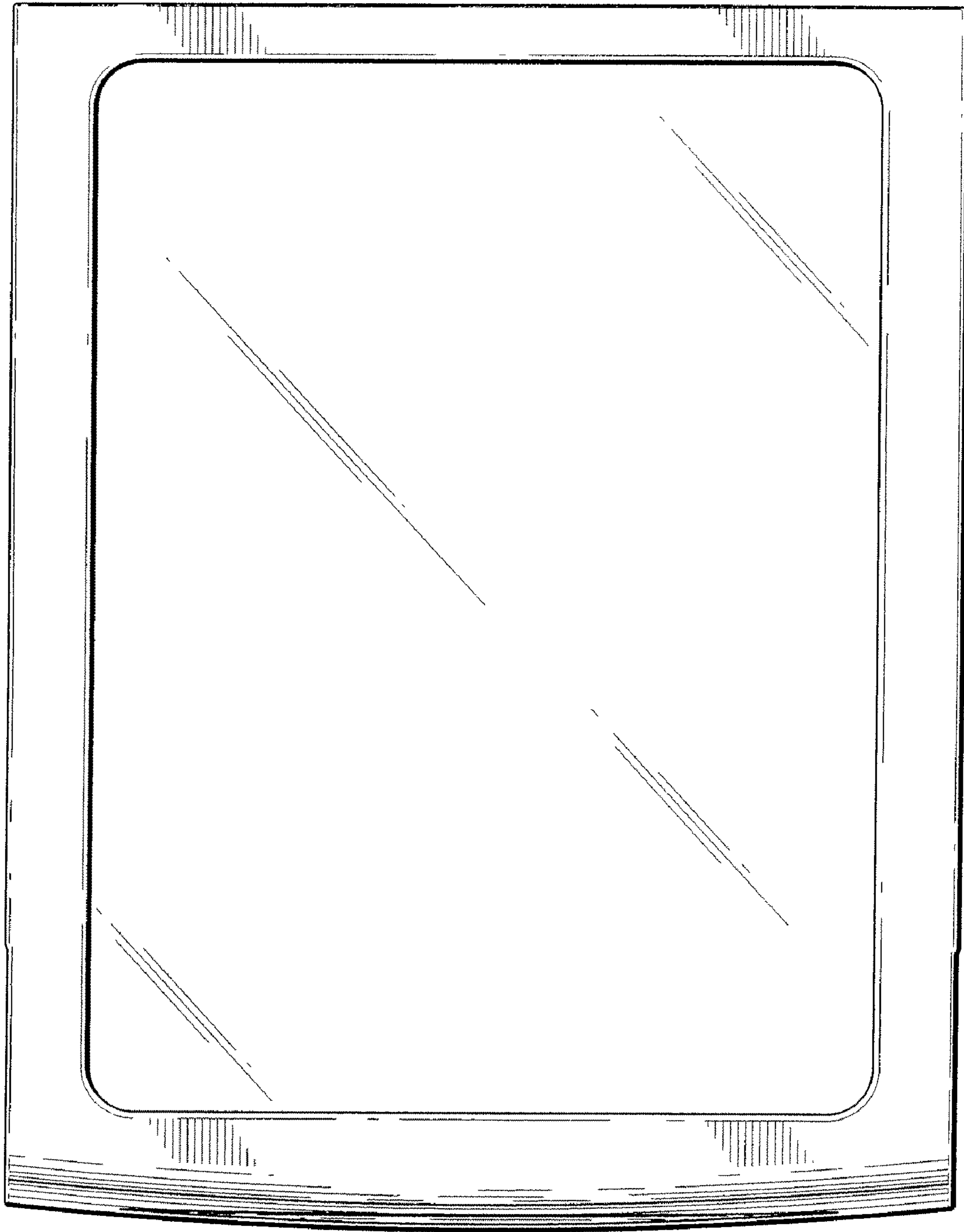




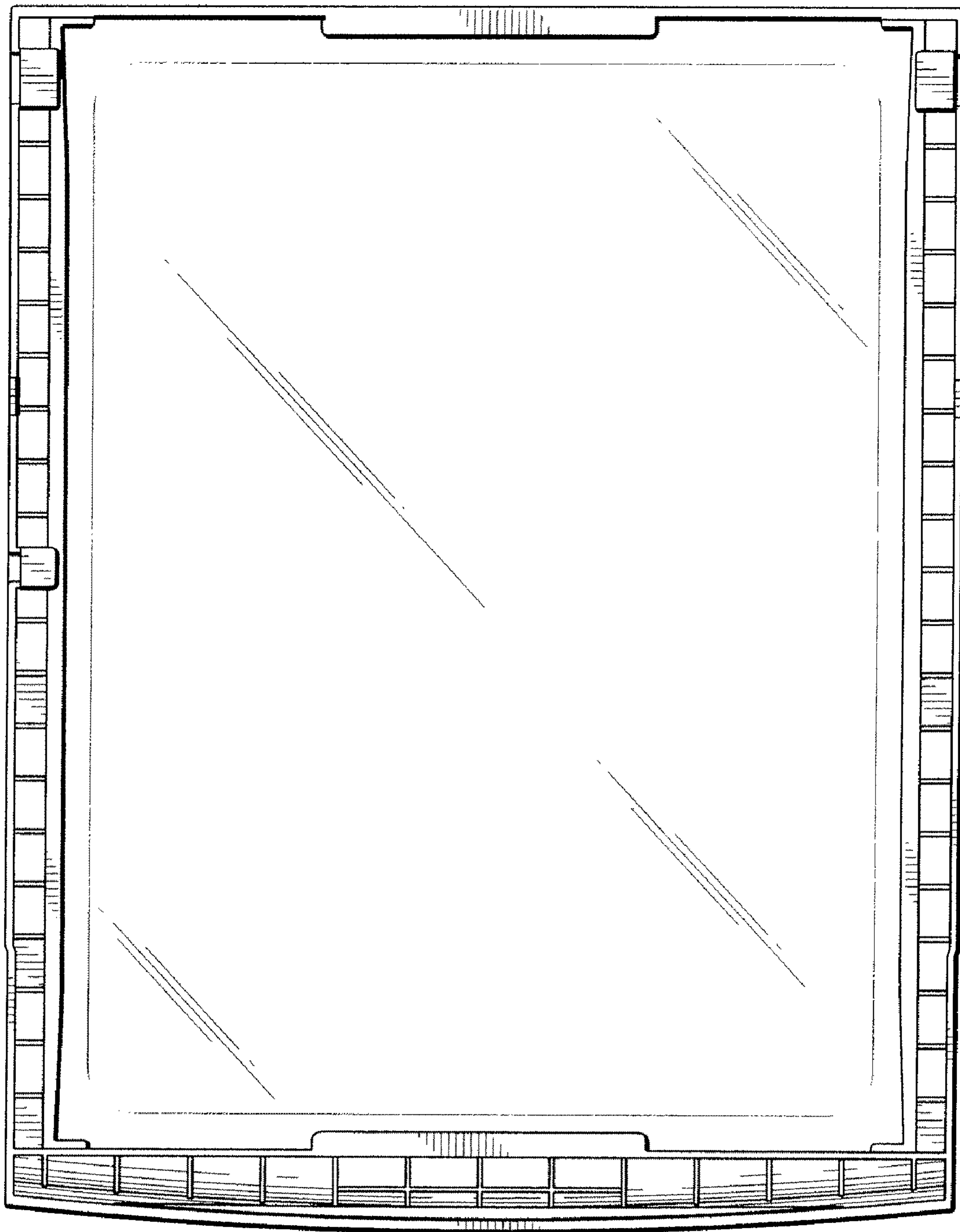
*Fig. 1*



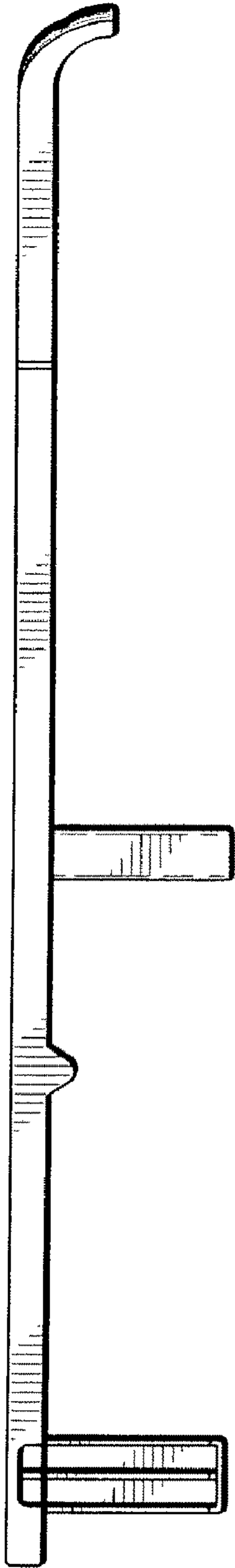
*Fig. 2*



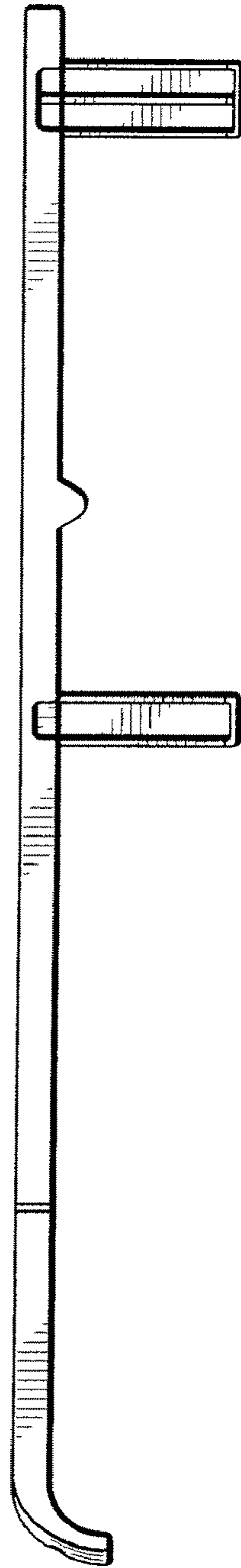
*Fig. 3*



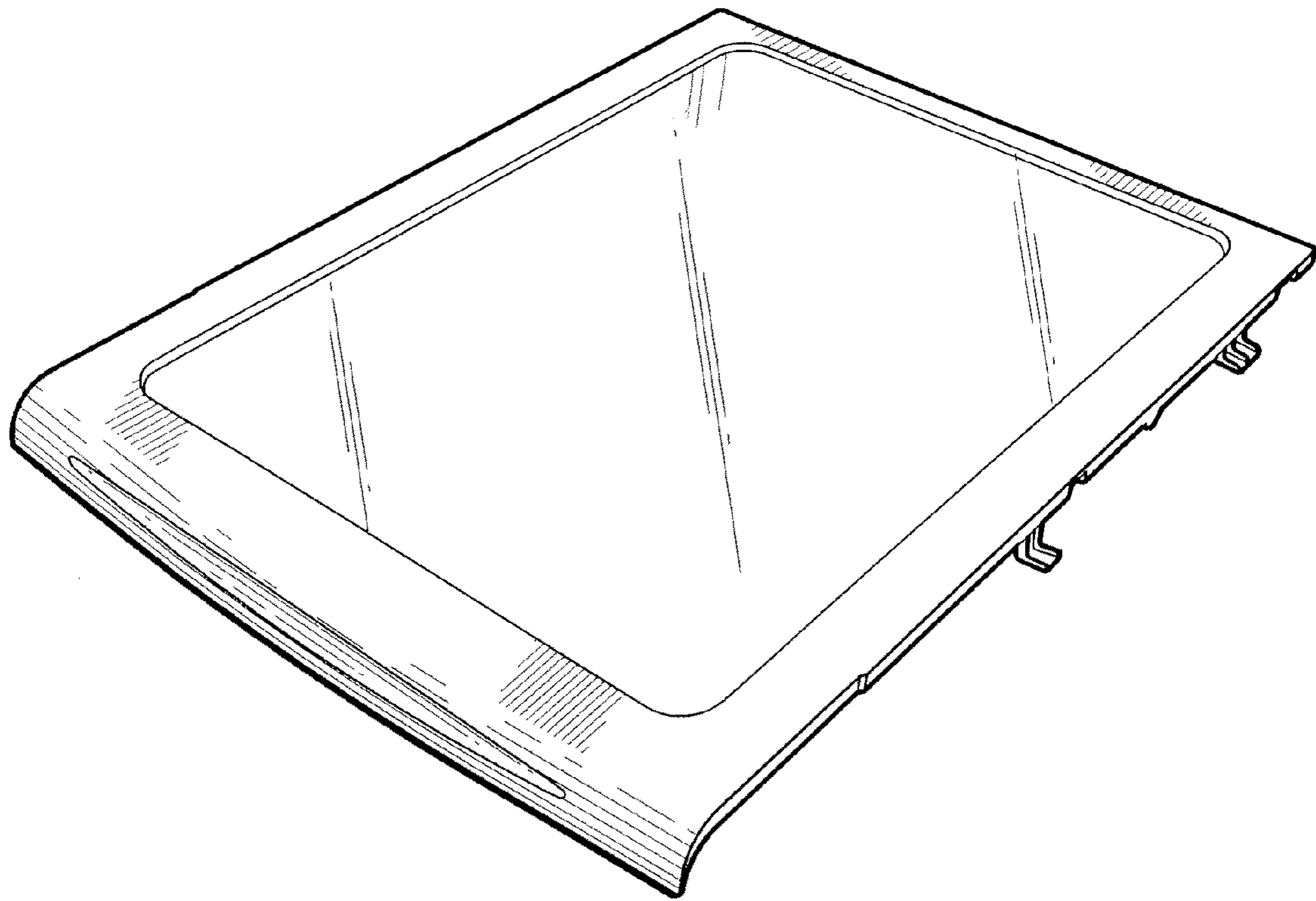
*Fig. 4*



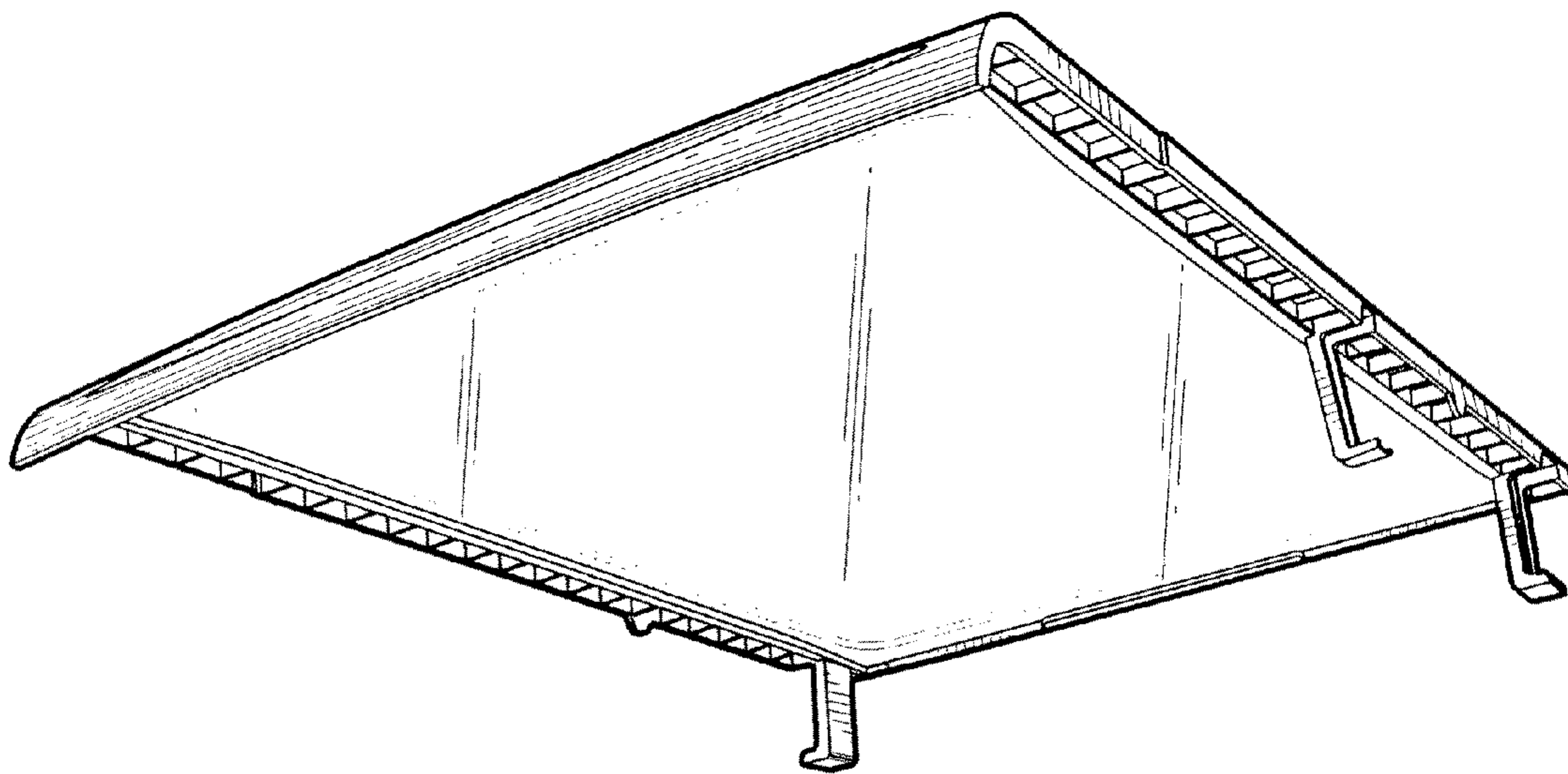
*Fig. 5*



*Fig. 6*



*Fig. 7*



*Fig. 8*