



US00D550726S

(12) **United States Design Patent** (10) **Patent No.:** **US D550,726 S**
Rand et al. (45) **Date of Patent:** **** Sep. 11, 2007**

(54) **COOLER**

(75) Inventors: **Thomas W. Rand**, Cedarburg, WI
(US); **Jack L. Vaughn**, Muskego, WI
(US); **Andrew J. Doberstein**, Hartford,
WI (US)

(73) Assignee: **U-Line Corporation**, Milwaukee, WI
(US)

(**) Term: **14 Years**

(21) Appl. No.: **29/226,728**

(22) Filed: **Mar. 31, 2005**

(51) **LOC (8) Cl.** **15-07**

(52) **U.S. Cl.** **D15/91; D15/89**

(58) **Field of Classification Search** D15/79,
D15/81, 88, 89, 91; D6/432, 436, 445, 446;
D7/351, 605; 62/3.6, 125, 126; 312/116,
312/138.1, 236, 405, 406
See application file for complete search history.

(56) **References Cited**

U.S. PATENT DOCUMENTS

D253,536 S *	11/1979	Shibata et al.	D15/88
D261,234 S *	10/1981	Abraham	D9/432
D266,000 S *	8/1982	Kawakami	D15/88
5,399,809 A *	3/1995	Takenouchi	174/84 R
D387,802 S *	12/1997	Finkelstein et al.	D19/10
5,779,500 A *	7/1998	Tokuwa et al.	439/557
D422,286 S *	4/2000	Choi et al.	D15/81
D438,562 S *	3/2001	Webb et al.	D19/10
D443,298 S *	6/2001	Webb et al.	D19/10
D452,869 S *	1/2002	Ma et al.	D15/81
D453,169 S *	1/2002	Ma et al.	D15/81
D455,046 S *	4/2002	Hwang	D7/405
D460,466 S *	7/2002	Ma et al.	D15/79

D460,482 S *	7/2002	Nomura	D19/26
D468,325 S *	1/2003	Lorek et al.	D15/81
D474,486 S *	5/2003	Uihlein et al.	D15/91
D492,705 S *	7/2004	King	D15/81
D512,082 S *	11/2005	Lowery et al.	D15/88
D539,312 S *	3/2007	Kim	D15/81
D540,831 S *	4/2007	Kim et al.	D15/81
2003/0140596 A1 *	7/2003	Bienick et al.	52/784.1
2006/0186777 A1 *	8/2006	Bienick et al.	312/408
2006/0191225 A1 *	8/2006	Bienick et al.	52/455

* cited by examiner

Primary Examiner—Stella Reid

Assistant Examiner—Shanda C. Hill

(74) *Attorney, Agent, or Firm*—Quarles & Brady LLP

(57) **CLAIM**

The ornamental design for a cooler, as shown and described.

DESCRIPTION

In a preferred embodiment, the nature of this product is a front or front portion for a pull-out drawer or rack refrigerated unit used for the cool storage of food and/or beverages.

FIG. 1 is a right, top, front perspective view of a cooler according to of our new design;

FIG. 2 is a front elevational view thereof;

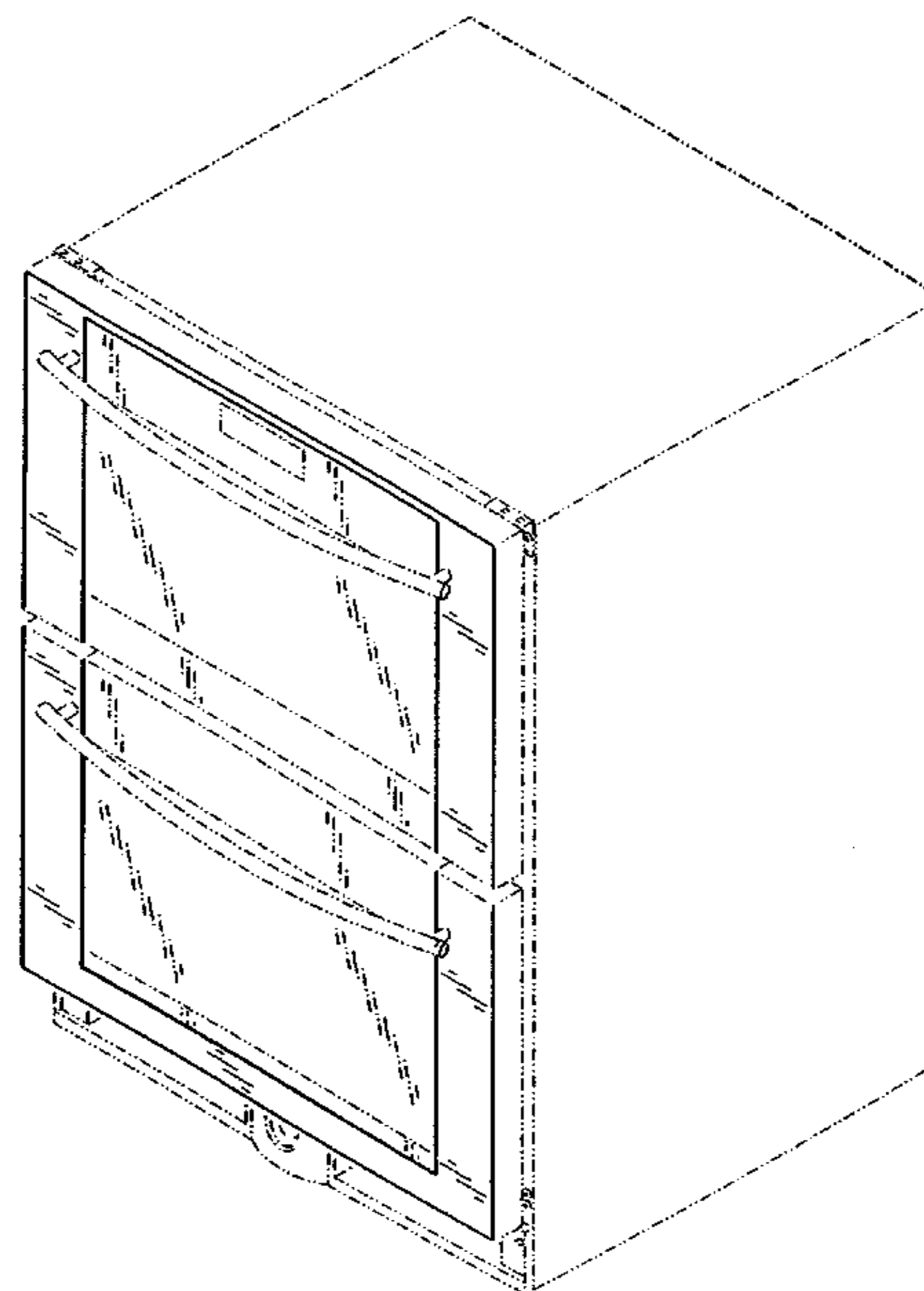
FIG. 3 is a right side elevational view thereof, the left side elevational view being a mirror image thereof;

FIG. 4 is a top plan view thereof; and,

FIG. 5 is a bottom plan view thereof.

The broken lines shown in the drawing disclosure are for illustrative purposes only and form no part of the claimed design.

1 Claim, 5 Drawing Sheets



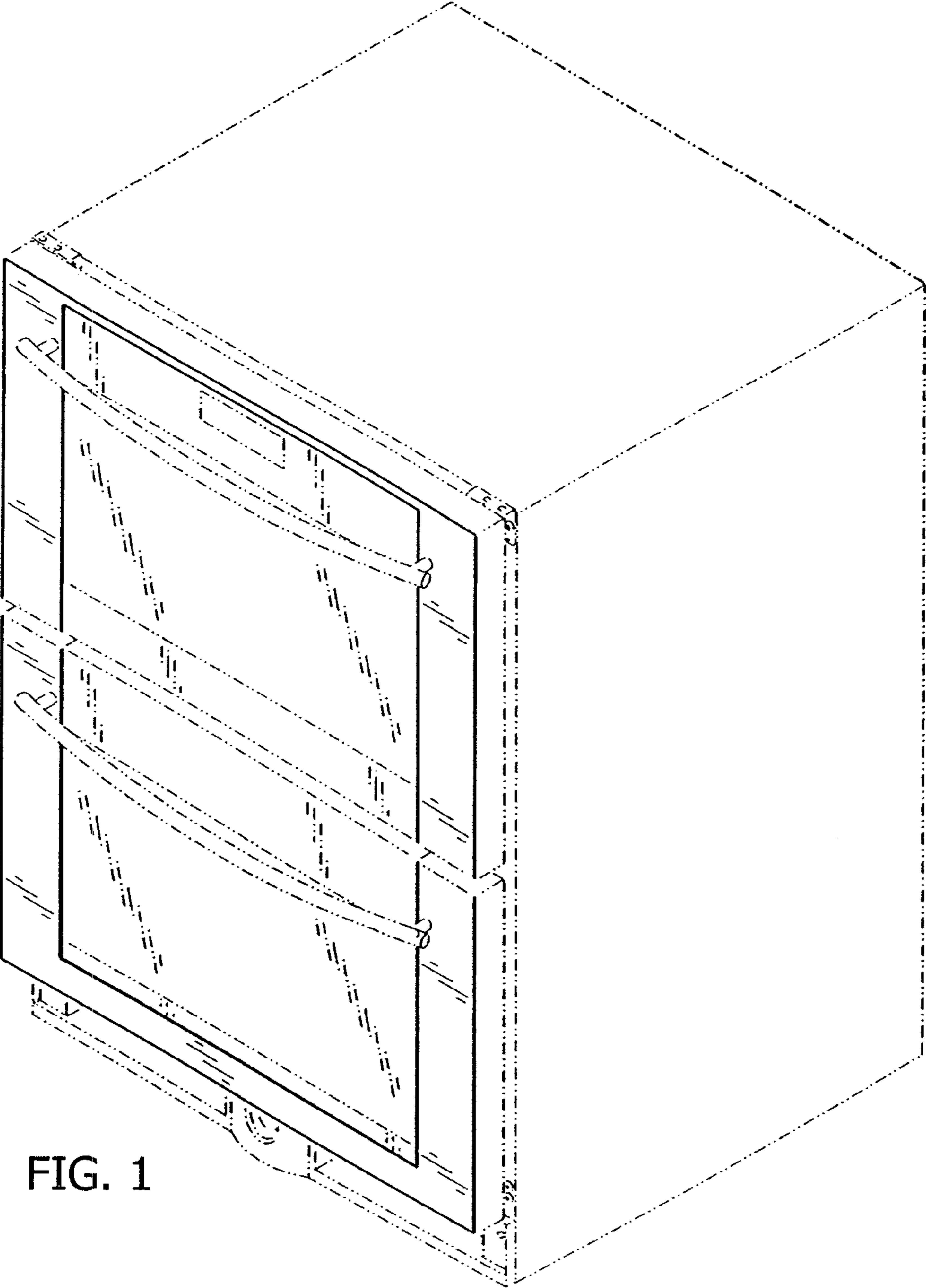


FIG. 1

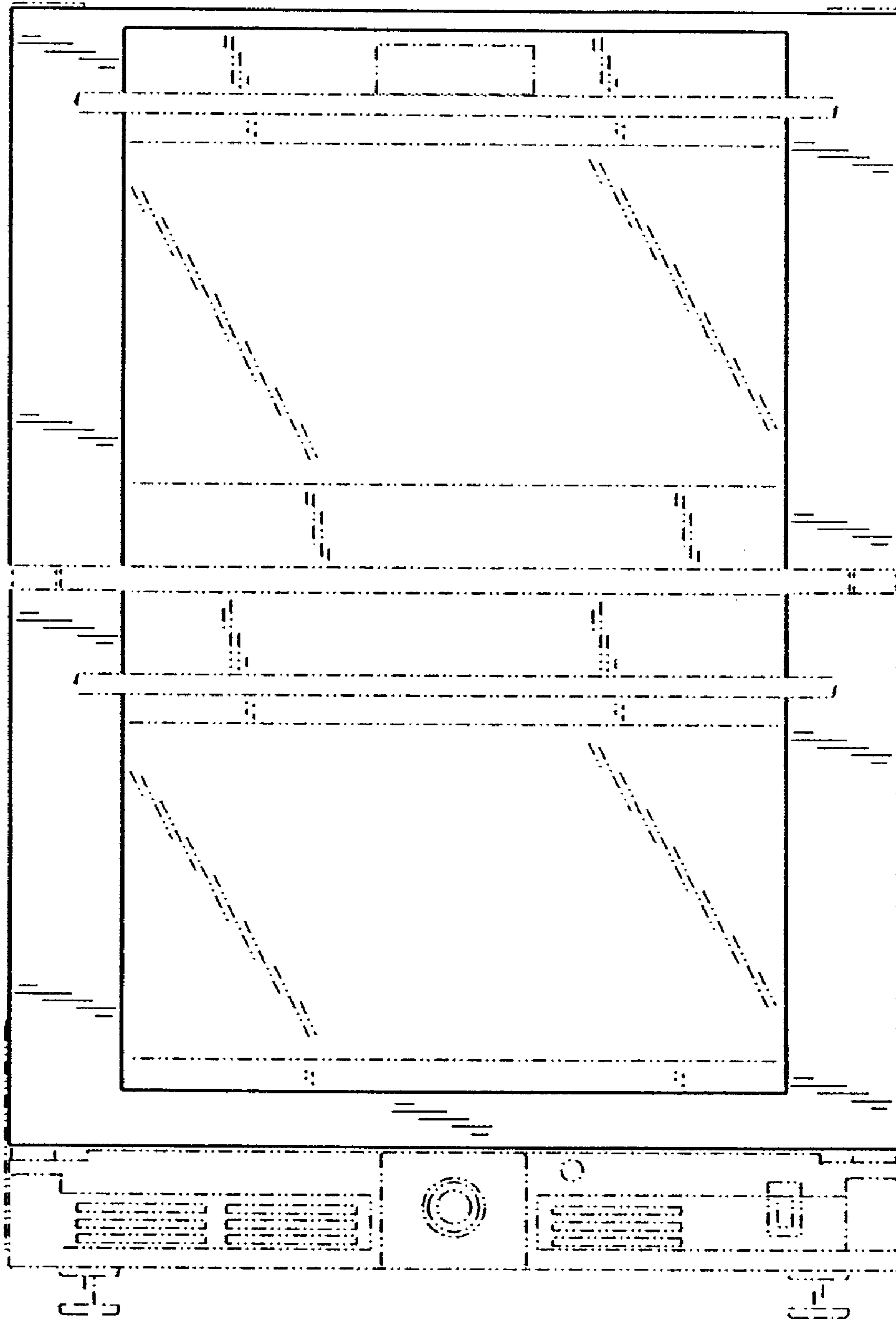


FIG. 2

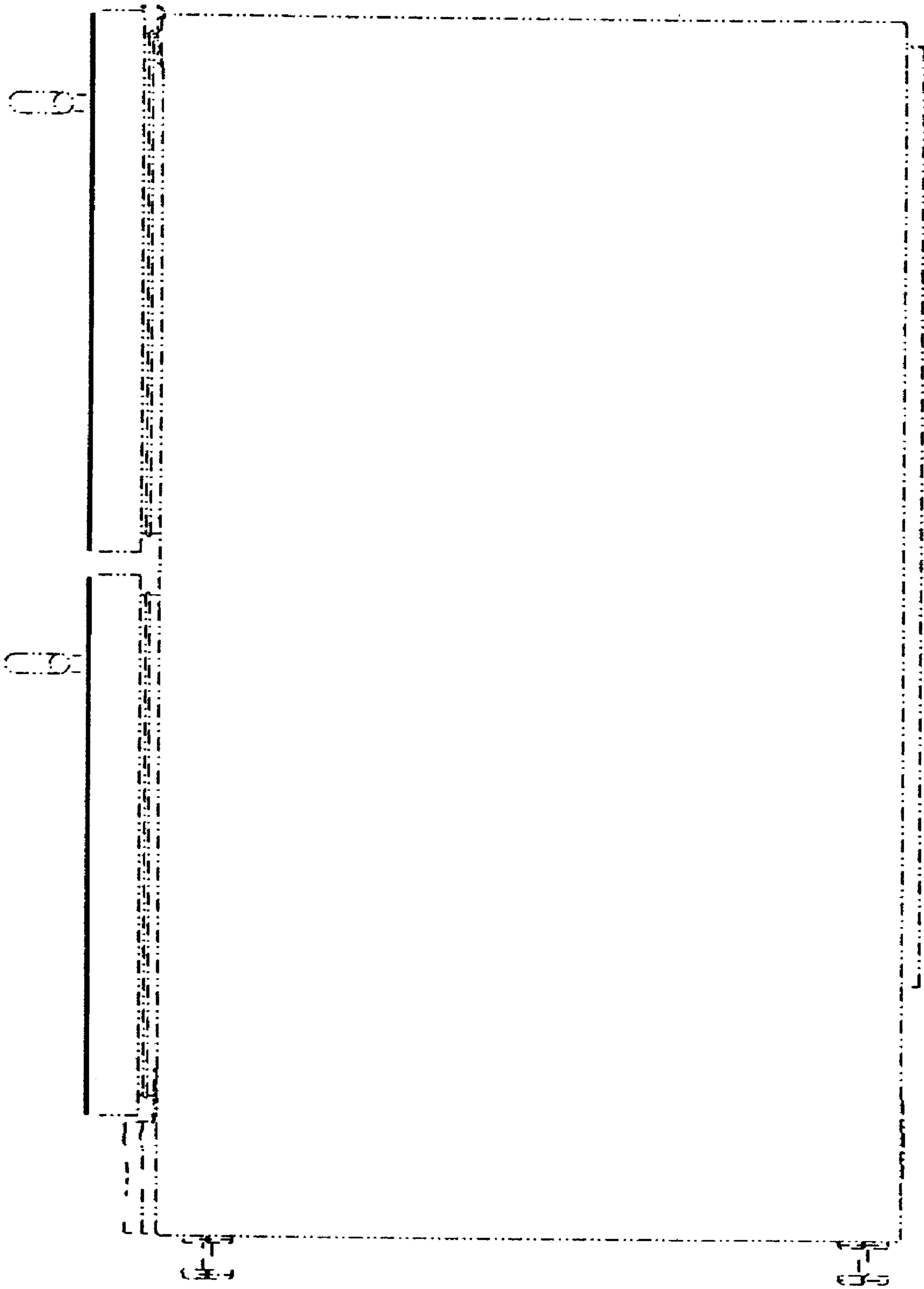


FIG. 3

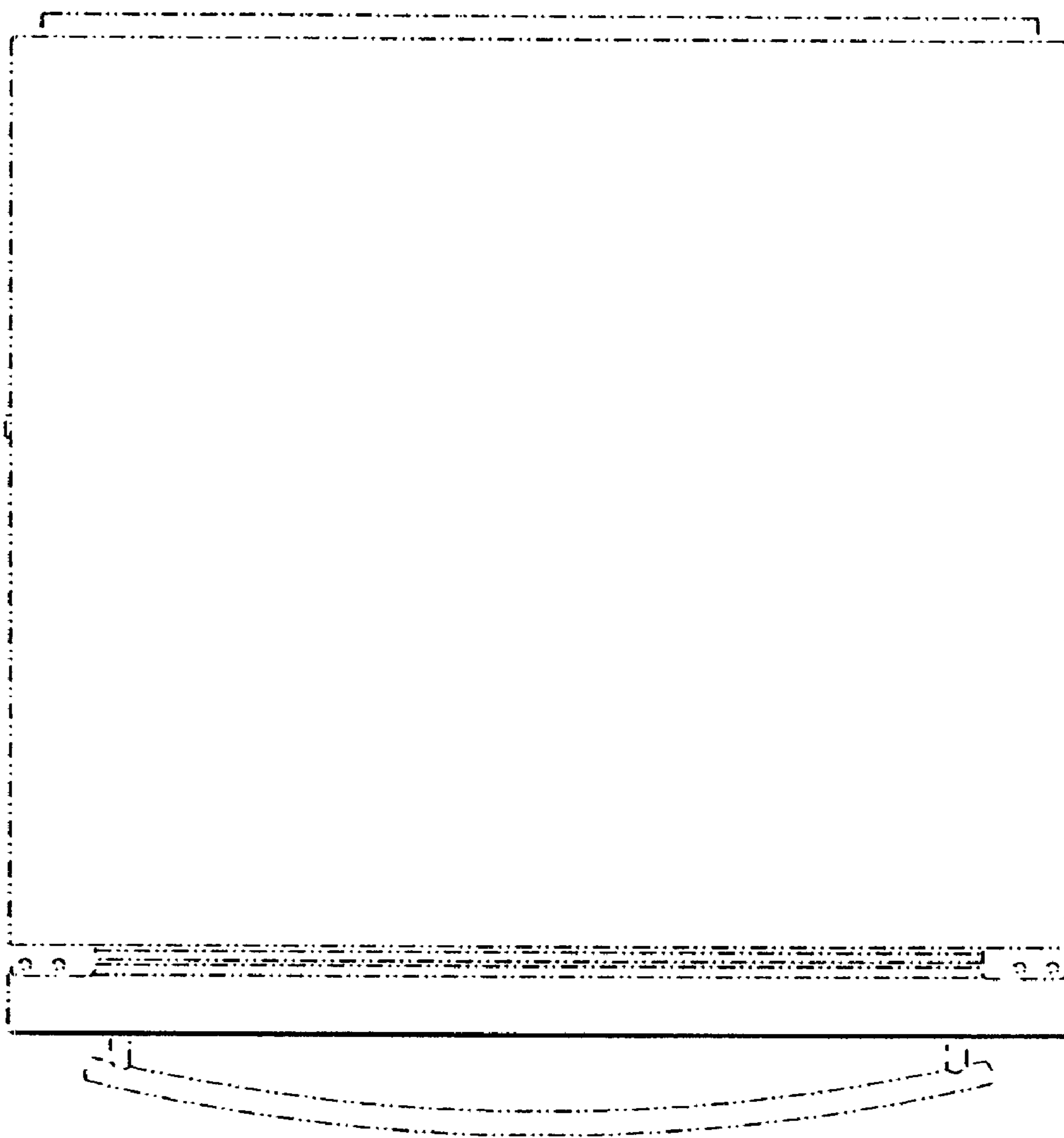


FIG. 4

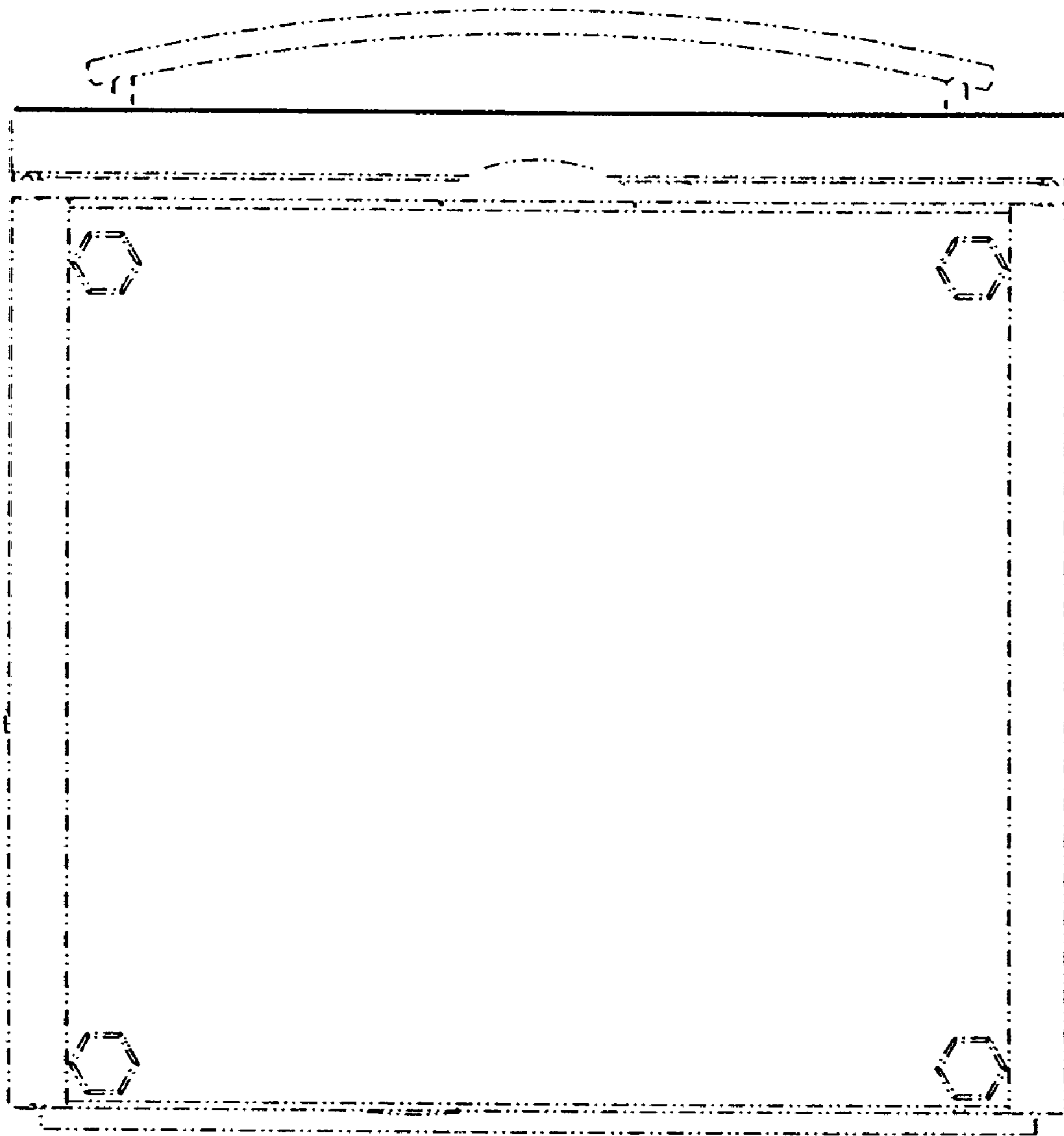


FIG. 5