



US00D550725S

(12) **United States Design Patent**  
**Kingsley**

(10) **Patent No.:** **US D550,725 S**

(45) **Date of Patent:** **\*\* Sep. 11, 2007**

(54) **BOTTLE INSERT**

(75) Inventor: **Cary A. Kingsley**, Sylvania, OH (US)

(73) Assignee: **G. G. Marck & Associates, Inc.**,  
Toledo, OH (US)

(\*\*) Term: **14 Years**

(21) Appl. No.: **29/257,341**

(22) Filed: **Apr. 3, 2006**

(51) **LOC (8) Cl.** ..... **15-07**

(52) **U.S. Cl.** ..... **D15/90**

(58) **Field of Classification Search** ..... D15/79,  
D15/89, 90; D7/213, 300, 387, 398, 400,  
D7/608; D3/203; 206/216, 524.1, 527;  
220/600, 660, 675, 890; 62/3.1, 3.6, 3.63,  
62/45.1, 293, 331, 371, 440, 457.2, 457.3,  
62/457.4, 467, 529, 531; 426/109

See application file for complete search history.

(56) **References Cited**

**U.S. PATENT DOCUMENTS**

2,160,165	A	5/1939	Patterson	
5,009,083	A	4/1991	Spinos et al.	
5,129,238	A	7/1992	Schwartz et al.	
D334,689	S *	4/1993	Mason	..... D7/608
5,272,890	A *	12/1993	Penxa	..... 62/457.4
D357,924	S *	5/1995	Miller et al.	..... D15/79
5,456,090	A	10/1995	McCoy	
D367,068	S	2/1996	Green	
5,507,156	A	4/1996	Redmon	
5,597,087	A	1/1997	Vinarsky	
5,609,039	A	3/1997	Green et al.	
6,103,280	A *	8/2000	Molzahn et al.	..... 426/109

6,324,864	B1 *	12/2001	Stewart et al.	..... 62/457.3
6,415,624	B1	7/2002	Connors et al.	
6,494,056	B1	12/2002	Roth et al.	
D472,563	S	4/2003	Roth et al.	
6,584,800	B1	4/2003	Roth et al.	
7,082,784	B2 *	8/2006	Roth et al.	..... 62/457.2

\* cited by examiner

*Primary Examiner*—Stella Reid

*Assistant Examiner*—Shanda C. Hill

(74) *Attorney, Agent, or Firm*—MacMillan, Sobanski & Todd, LLC

(57) **CLAIM**

The ornamental design for a bottle insert, as shown and described.

**DESCRIPTION**

FIG. 1 is a perspective view of a bottle insert according to the design;

FIG. 2 is a front elevational view thereof;

FIG. 3 is a right side elevational view thereof;

FIG. 4 is a back elevational view thereof;

FIG. 5 is a left side elevational view thereof;

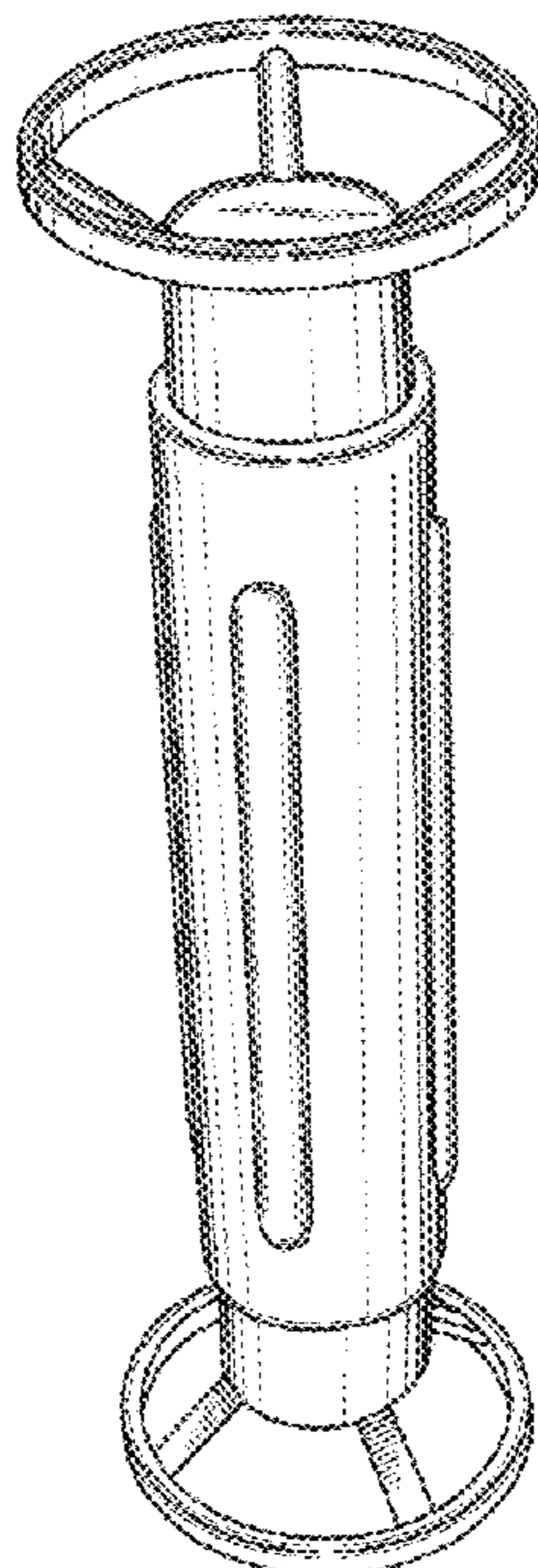
FIG. 6 is a top plan view thereof;

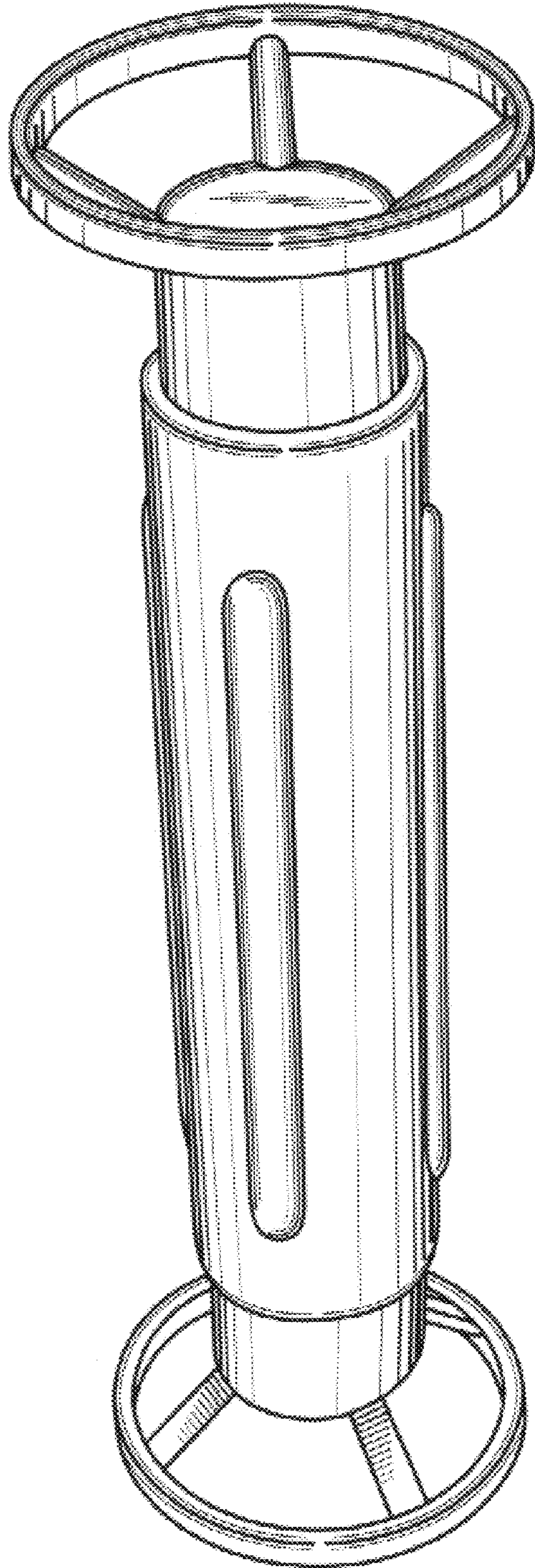
FIG. 7 is a bottom plan view thereof; and,

FIG. 8 is a front elevational view of the bottle insert positioned in a bottle during use.

The broken lines shown in FIG. 8 are illustrative of environmental structure only and form no part of the claimed design.

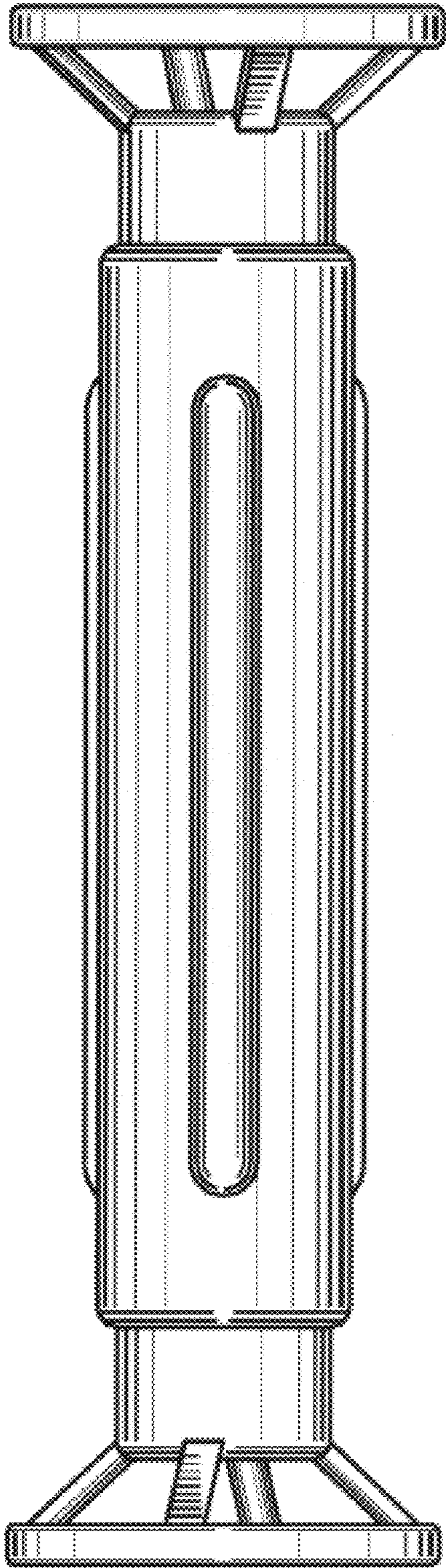
**1 Claim, 5 Drawing Sheets**



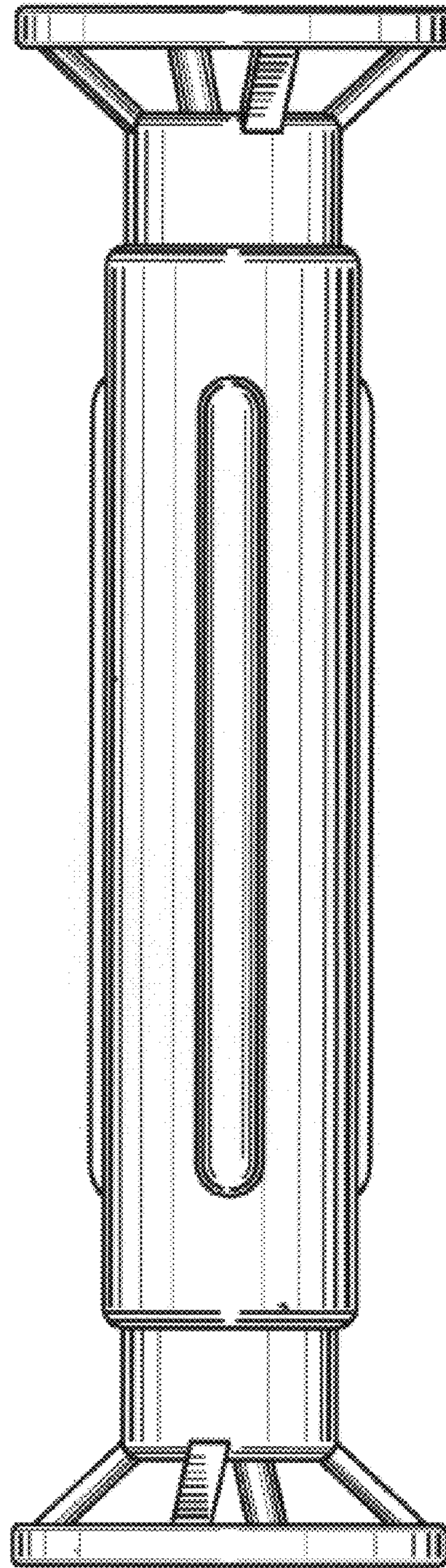


—FIG. 1



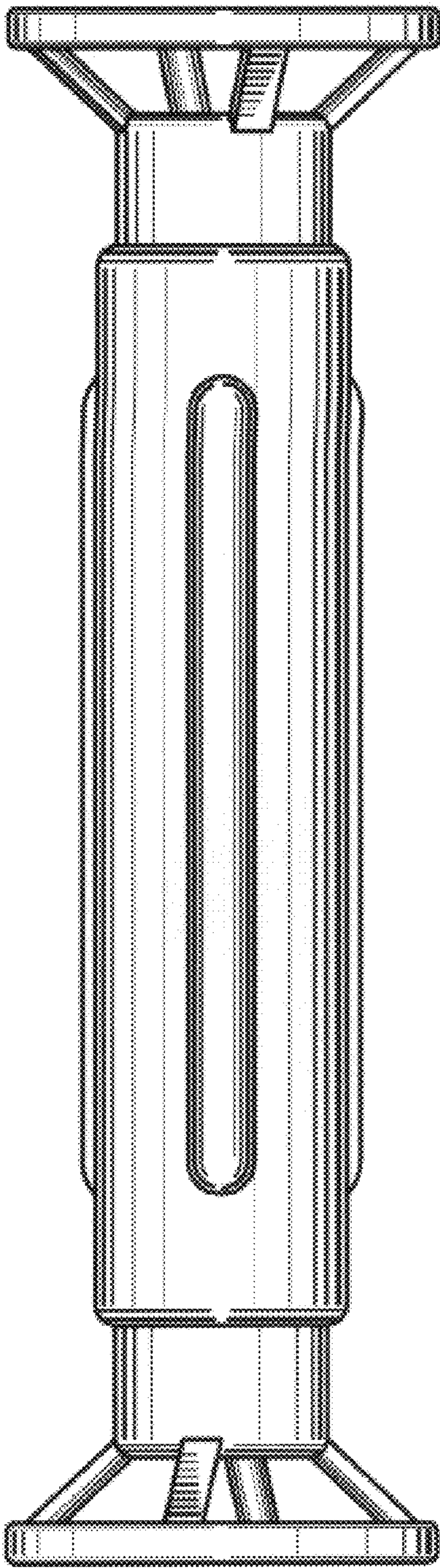


—FIG. 2

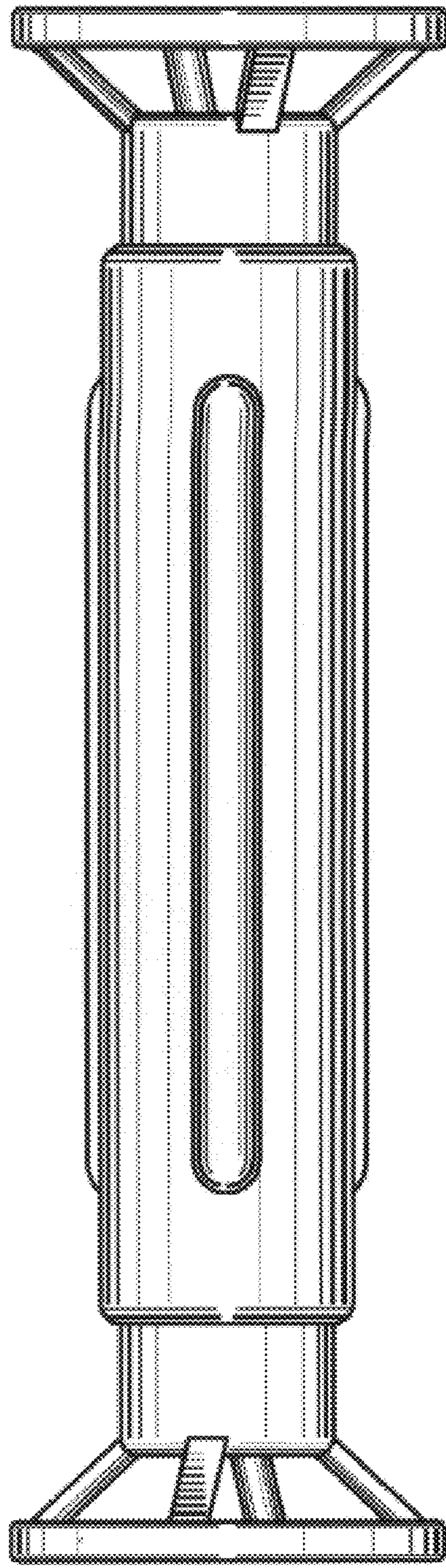


—FIG. 3



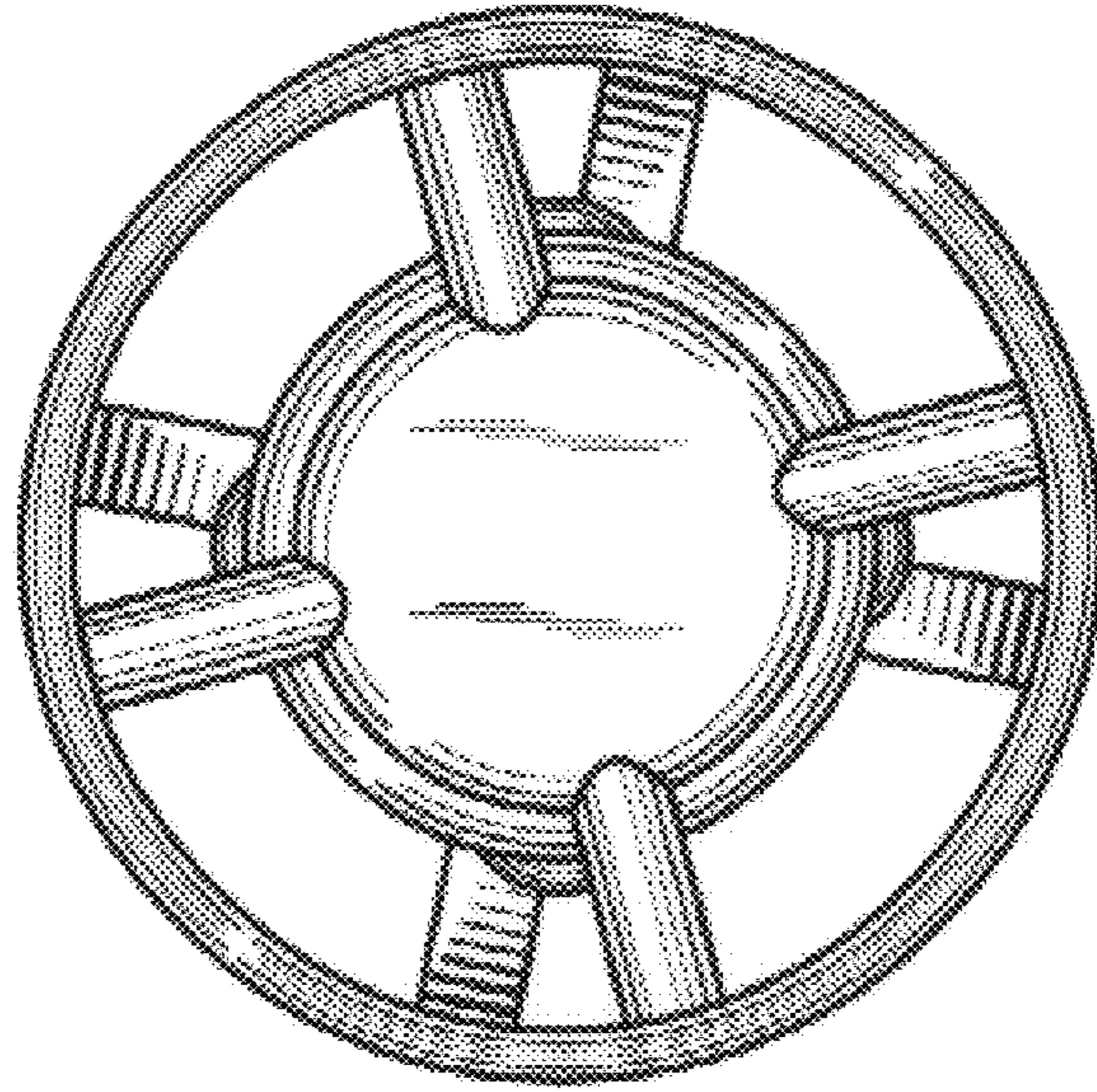


— FIG. 4

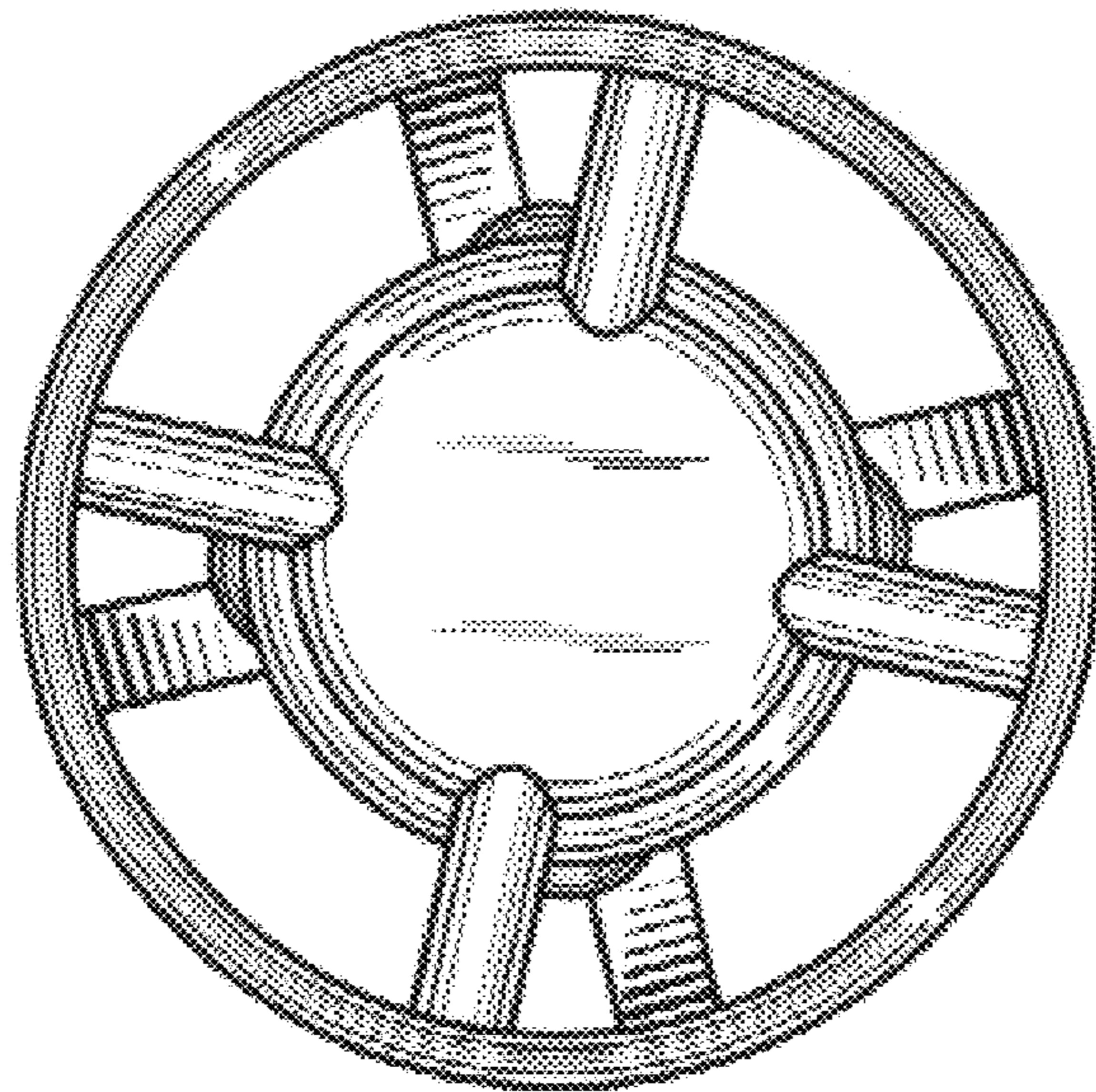


— FIG. 5





—FIG. 6



—FIG. 7

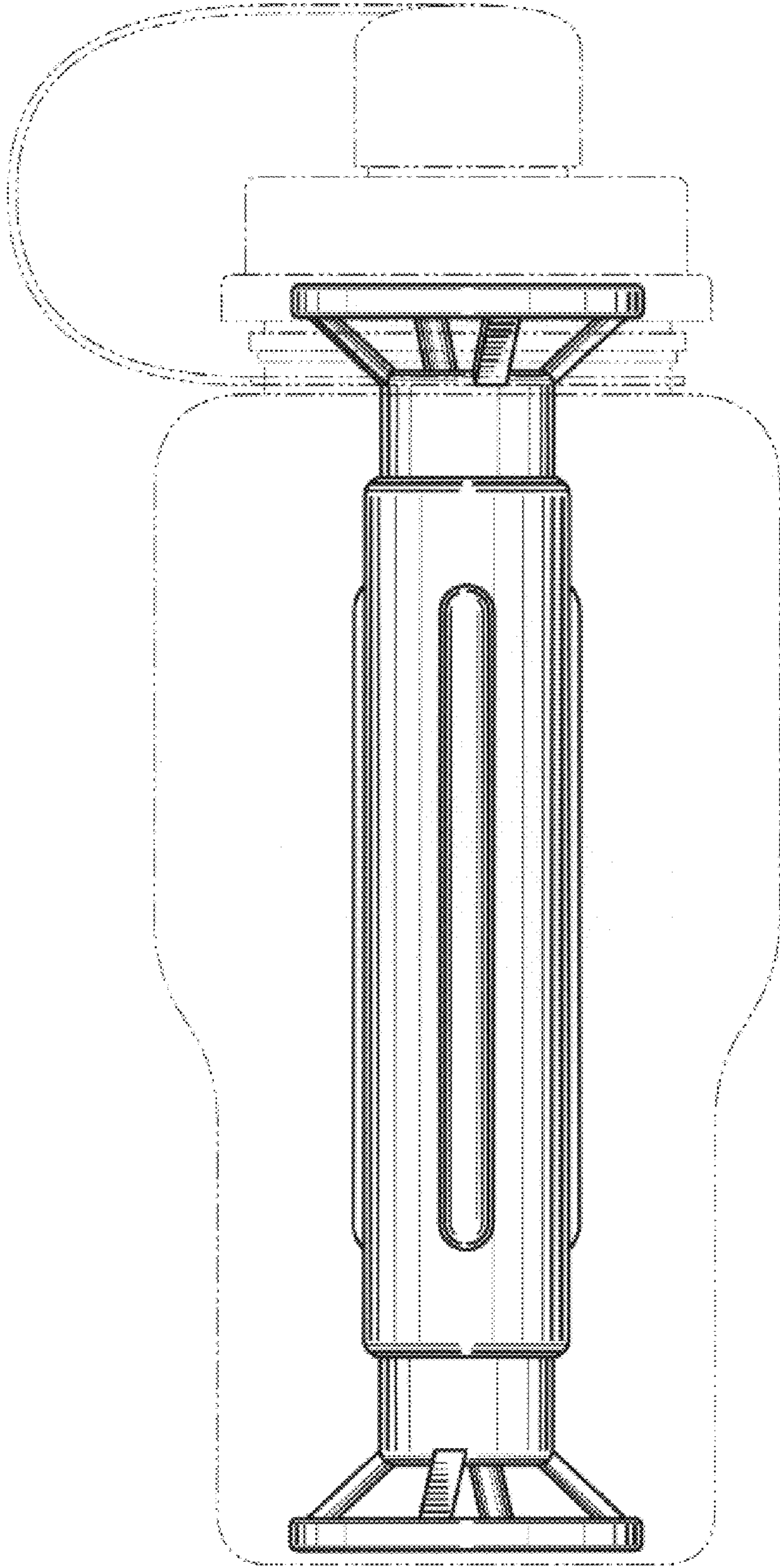


FIG. 8