



US00D550722S

(12) **United States Design Patent**
Doll

(10) **Patent No.:** **US D550,722 S**

(45) **Date of Patent:** **** Sep. 11, 2007**

(54) **FORWARD CAB ARTICULATED TRACTOR**

(75) Inventor: **Robert A. Doll**, Malone, WI (US)

(73) Assignee: **M-B Companies, Inc.**, New Holstein, WI (US)

(**) Term: **14 Years**

(21) Appl. No.: **29/269,959**

(22) Filed: **Dec. 13, 2006**

Related U.S. Application Data

(63) Continuation-in-part of application No. 29/211,380, filed on Aug. 16, 2004, now abandoned.

(51) **LOC (8) Cl.** **12-09**

(52) **U.S. Cl.** **D15/23**

(58) **Field of Classification Search** D15/10, D15/12, 22-26, 30, 33; D34/34, 37; D12/93, D12/96, 97, 1; 280/492, 124.111; 180/235, 180/89.13, 14.4, 900, 24, 14.1, 307, 328, 180/89.12, 89.1

See application file for complete search history.

(56) **References Cited**

U.S. PATENT DOCUMENTS

4,059,171 A * 11/1977 Pakosh 180/328
D253,174 S * 10/1979 Mason D15/12
4,309,742 A * 1/1982 Holm et al. 362/459

D270,350 S * 8/1983 Clancy et al. D15/23
4,512,433 A 4/1985 van der Lely
4,648,472 A * 3/1987 van der Lely 180/24
D312,643 S * 12/1990 Goyen et al. D15/23
D346,388 S 4/1994 Silbernagel
5,725,063 A * 3/1998 Ceragioli et al. 180/14.4
6,206,118 B1 * 3/2001 Menze et al. 180/14.1

* cited by examiner

Primary Examiner—Mitchell Siegel

Assistant Examiner—Mark Goodwin

(74) *Attorney, Agent, or Firm*—Robert T. Johnson

(57) **CLAIM**

The ornamental design for a forward cab articulated tractor, as shown and described.

DESCRIPTION

FIG. 1 is a front elevation view of a forward cab articulated tractor showing our new design;

FIG. 2 is a rear elevation view thereof;

FIG. 3 is a left side elevation view thereof;

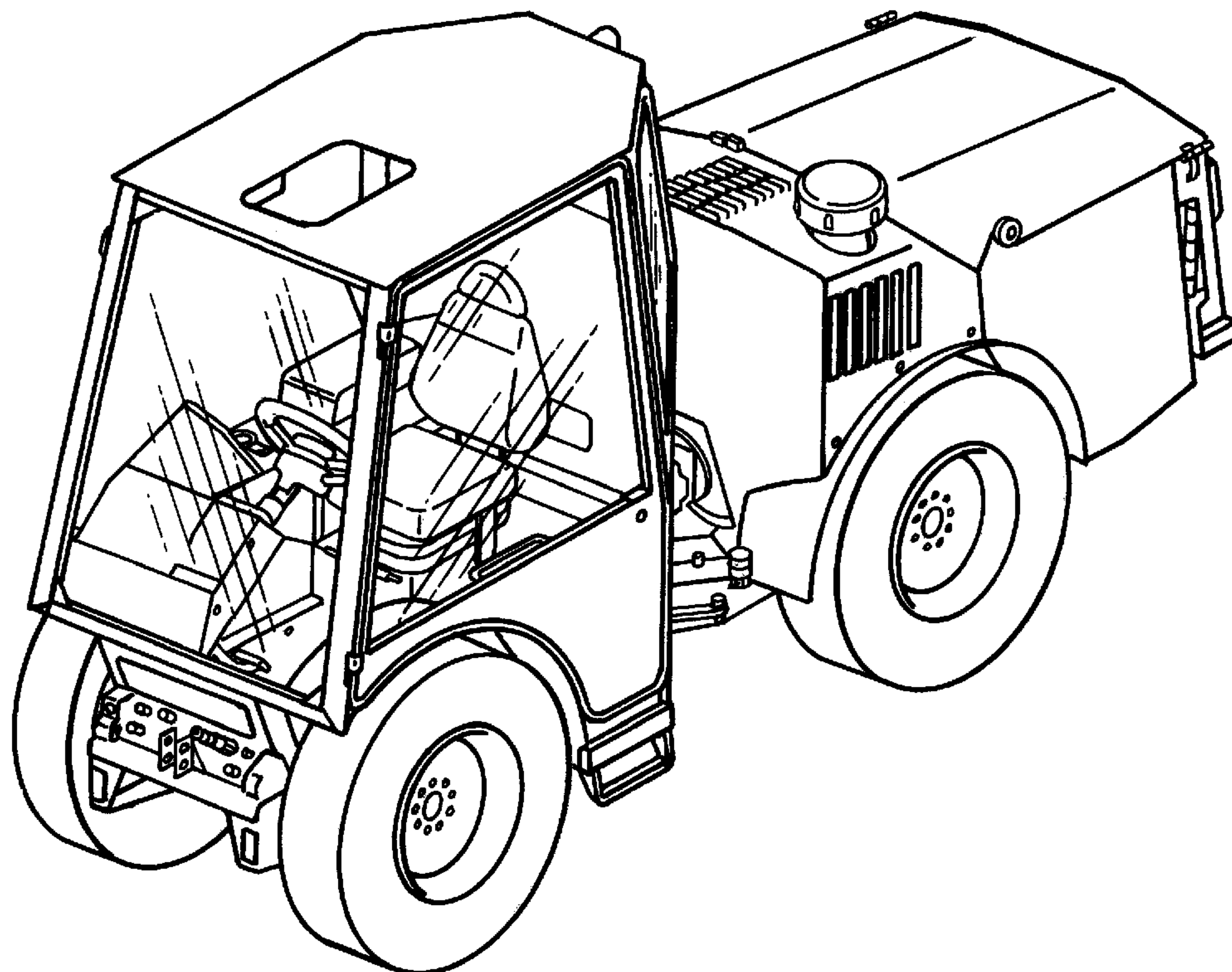
FIG. 4 is a right side elevation view thereof;

FIG. 5 is a top plan view thereof;

FIG. 6 is a bottom plan view thereof; and,

FIG. 7 is an isometric view thereof.

1 Claim, 7 Drawing Sheets



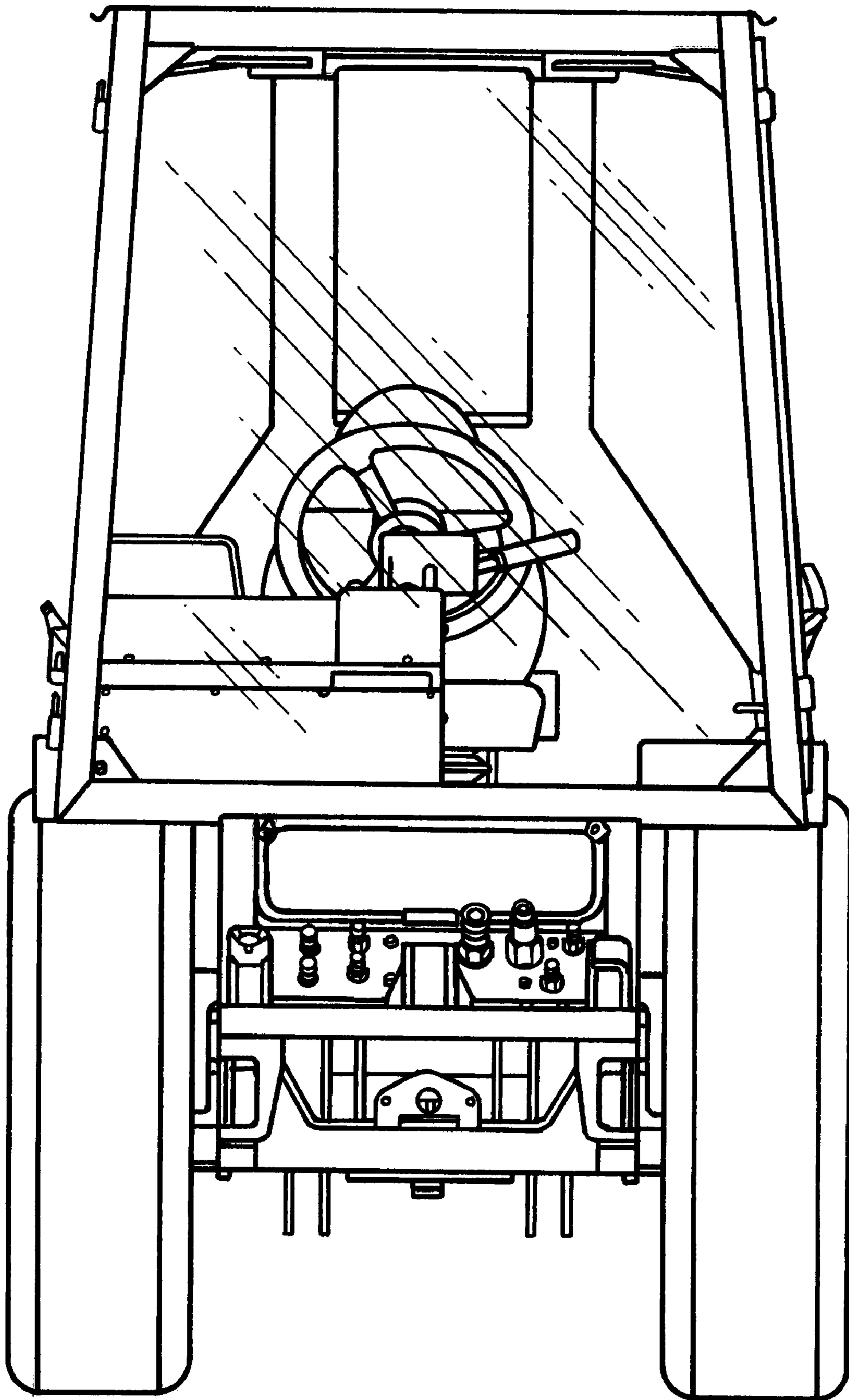


FIG 1

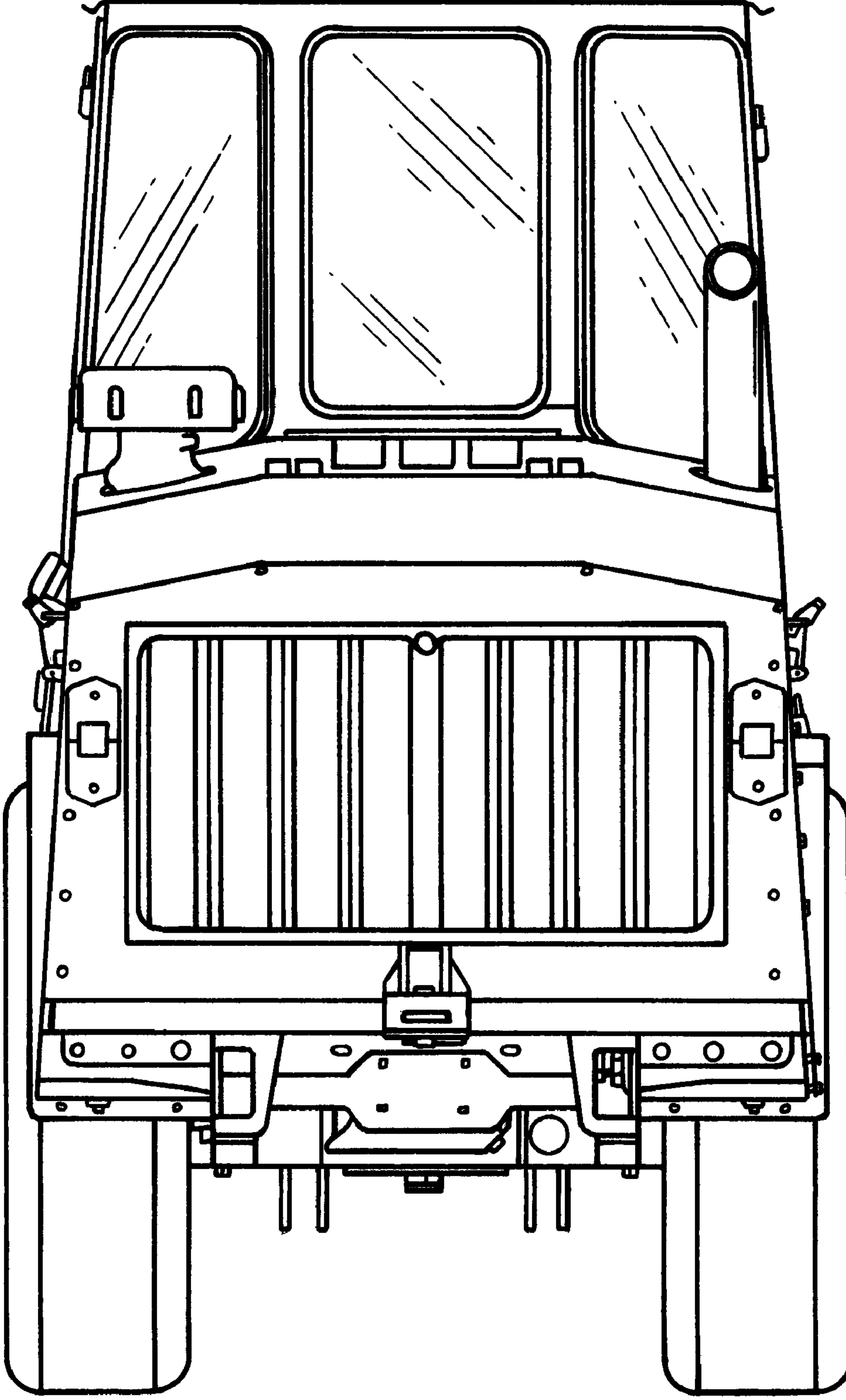
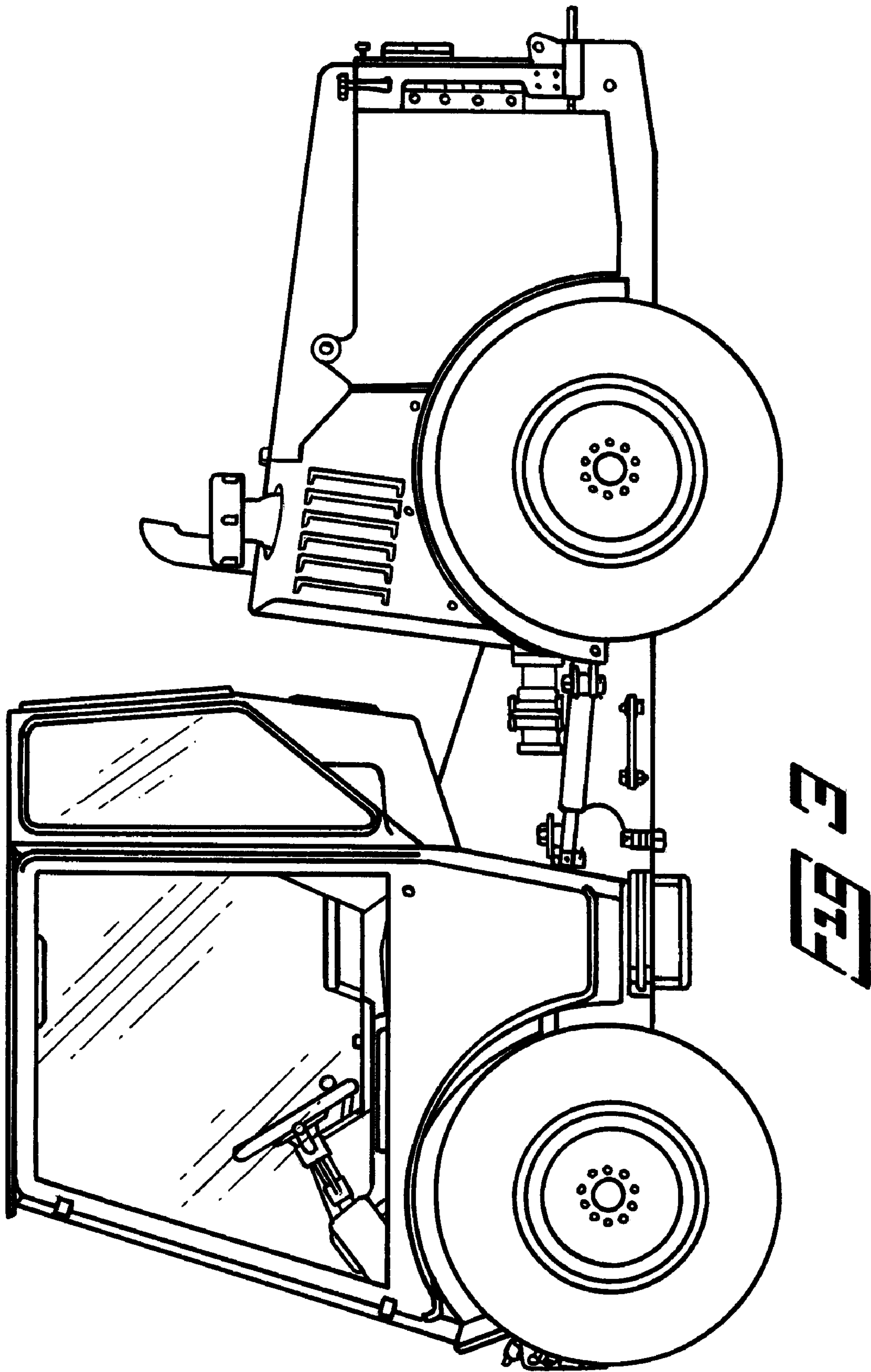


FIG 2



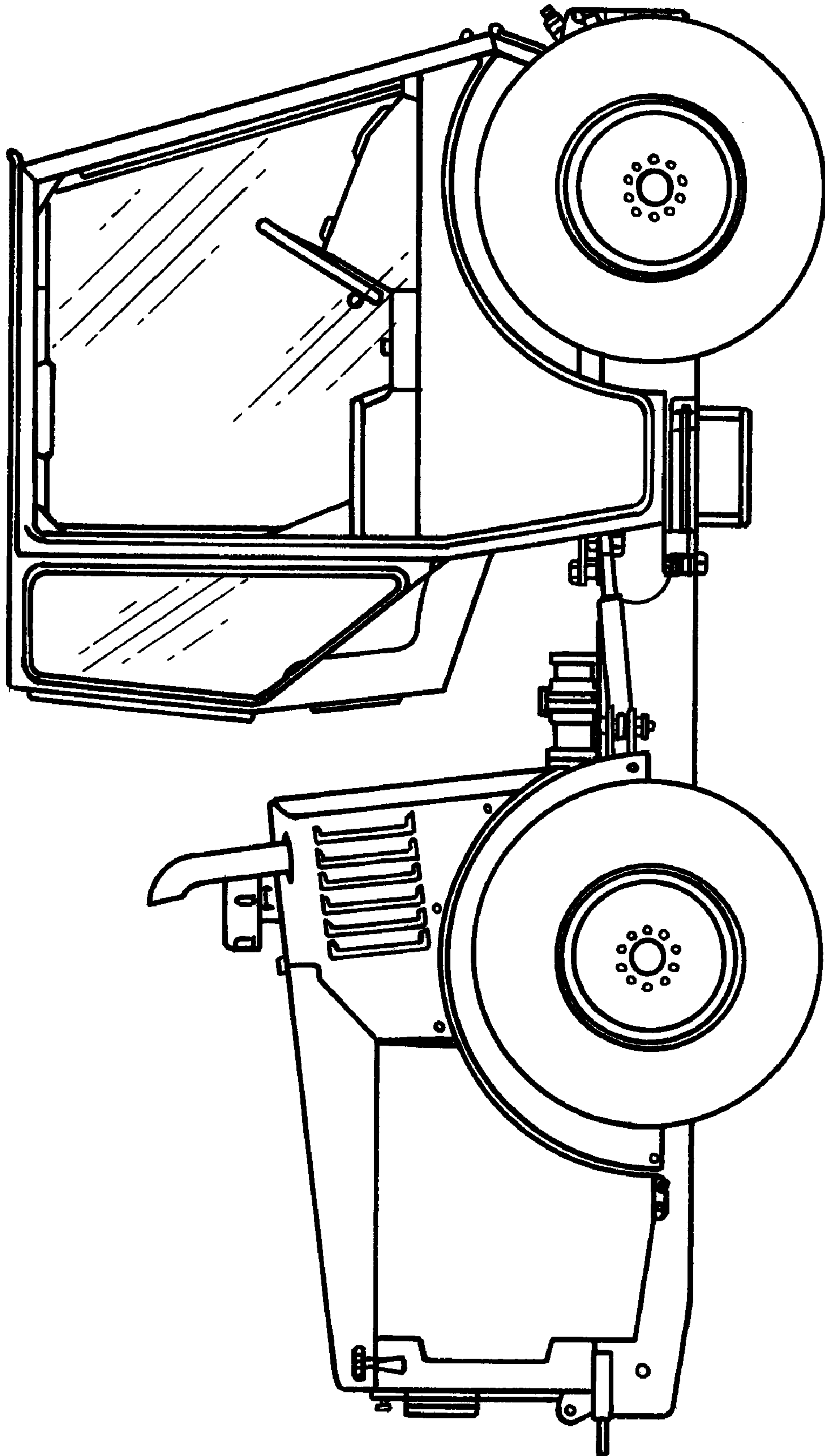


FIG 4

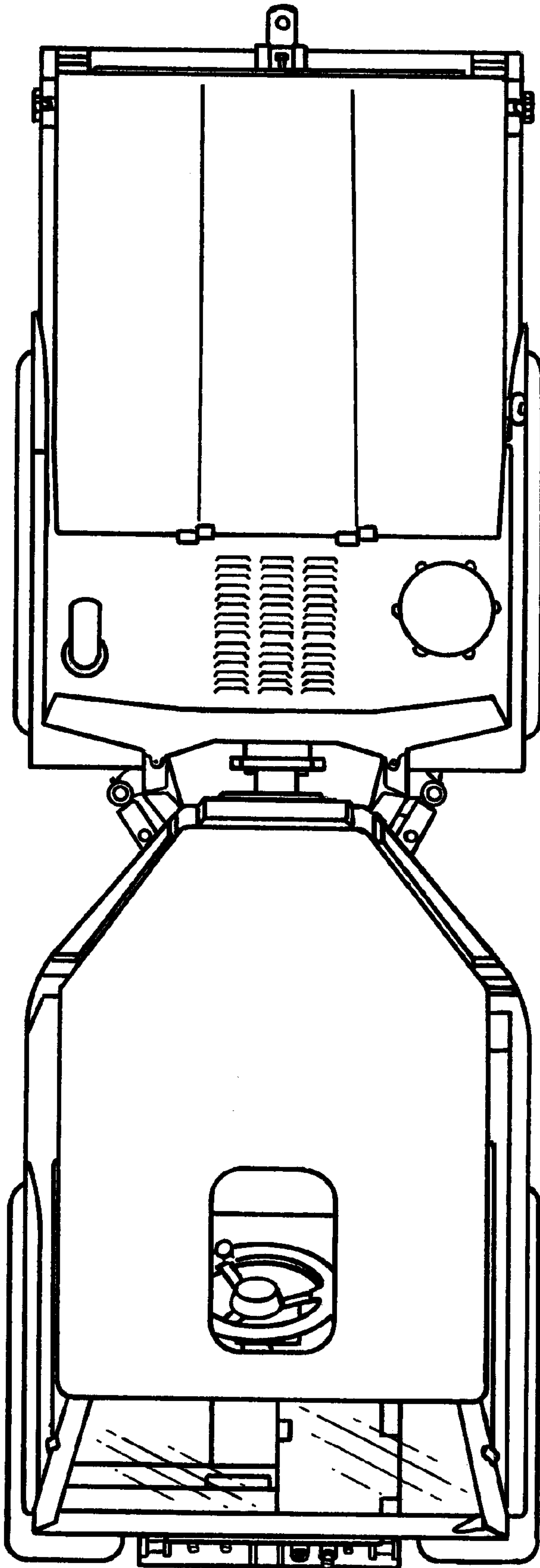


FIG 5

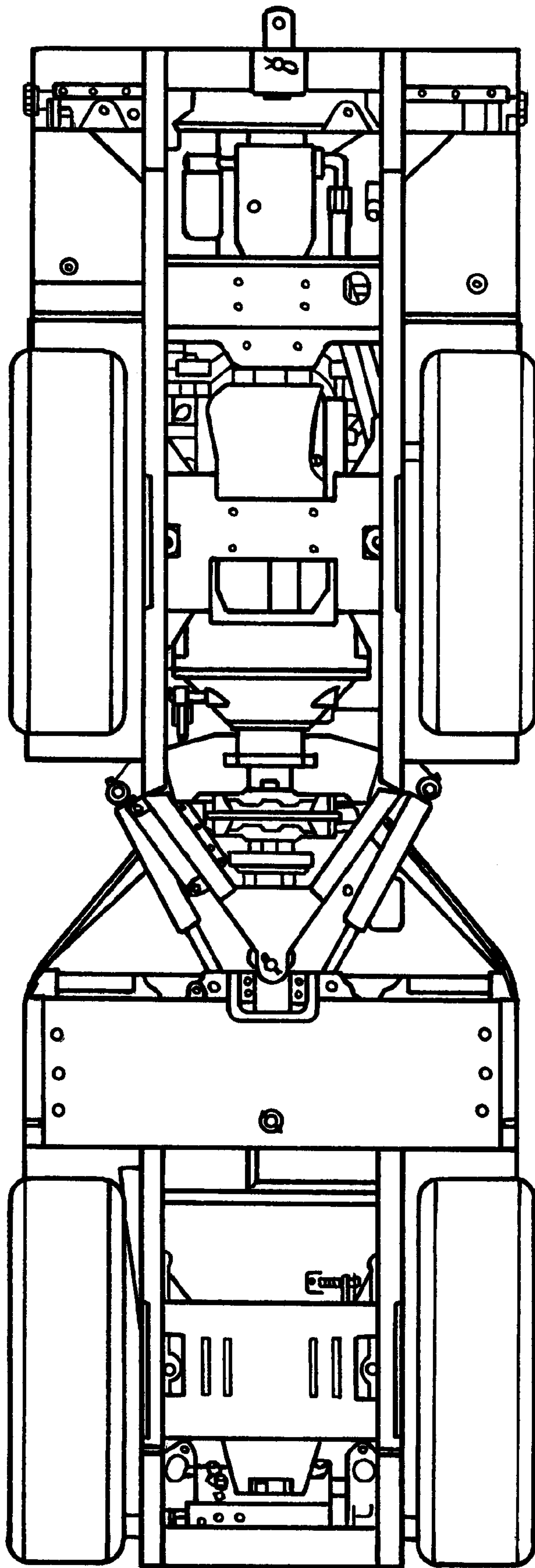


FIG 6

