



US00D550720S

(12) **United States Design Patent** (10) **Patent No.:** **US D550,720 S**  
**Geisler et al.** (45) **Date of Patent:** **\*\* Sep. 11, 2007**

(54) **INTEGRATED AIR COMPRESSOR AND WINCH**

(75) Inventors: **Richard J. Geisler**, Oregon City, OR (US); **Darren G. Fretz**, Canby, OR (US); **Eric J. Webb**, Vancouver, WA (US)

(73) Assignee: **Warn Industries, Inc.**, Milwaukie, OR (US)

(\*\*) Term: **14 Years**

(21) Appl. No.: **29/248,956**

(22) Filed: **Sep. 12, 2006**

(51) **LOC (8) Cl.** ..... **15-02**

(52) **U.S. Cl.** ..... **D15/9; 34/33**

(58) **Field of Classification Search** ..... D15/7-9; D23/232, 231; 417/359, 415-416, 410.1, 417/321, 265, 405

See application file for complete search history.

(56) **References Cited**

**U.S. PATENT DOCUMENTS**

3,986,588	A	10/1976	Kuzarov
4,004,780	A	1/1977	Kuzarov
D243,940	S	4/1977	Kuzarov
4,033,552	A	7/1977	Kuzarov
4,123,040	A	10/1978	Kuzarov
4,461,460	A	7/1984	Telford
4,545,567	A	10/1985	Telford et al.
4,650,163	A	3/1987	Peterson
4,736,929	A	4/1988	McMorris
5,261,646	A	11/1993	Telford
5,482,255	A	1/1996	Daschel et al.
5,522,582	A	6/1996	Dilks

D475,499	S	6/2003	Hodge	
6,604,731	B2	8/2003	Hodge	
D479,899	S	9/2003	Hodge	
D483,992	S	12/2003	Choi	
D489,157	S	4/2004	Lawson	
D499,745	S *	12/2004	Hsiao	..... D15/9
6,864,650	B2	3/2005	Heravi et al.	
D513,650	S	1/2006	Elliott	
D519,125	S *	4/2006	Burford et al.	..... D15/7
D528,131	S *	9/2006	Wu	..... D15/9
D532,577	S	11/2006	Elliott et al.	

\* cited by examiner

*Primary Examiner*—Ralf Seifert  
(74) *Attorney, Agent, or Firm*—Harness, Dickey & Pierce, P.L.C.

(57) **CLAIM**

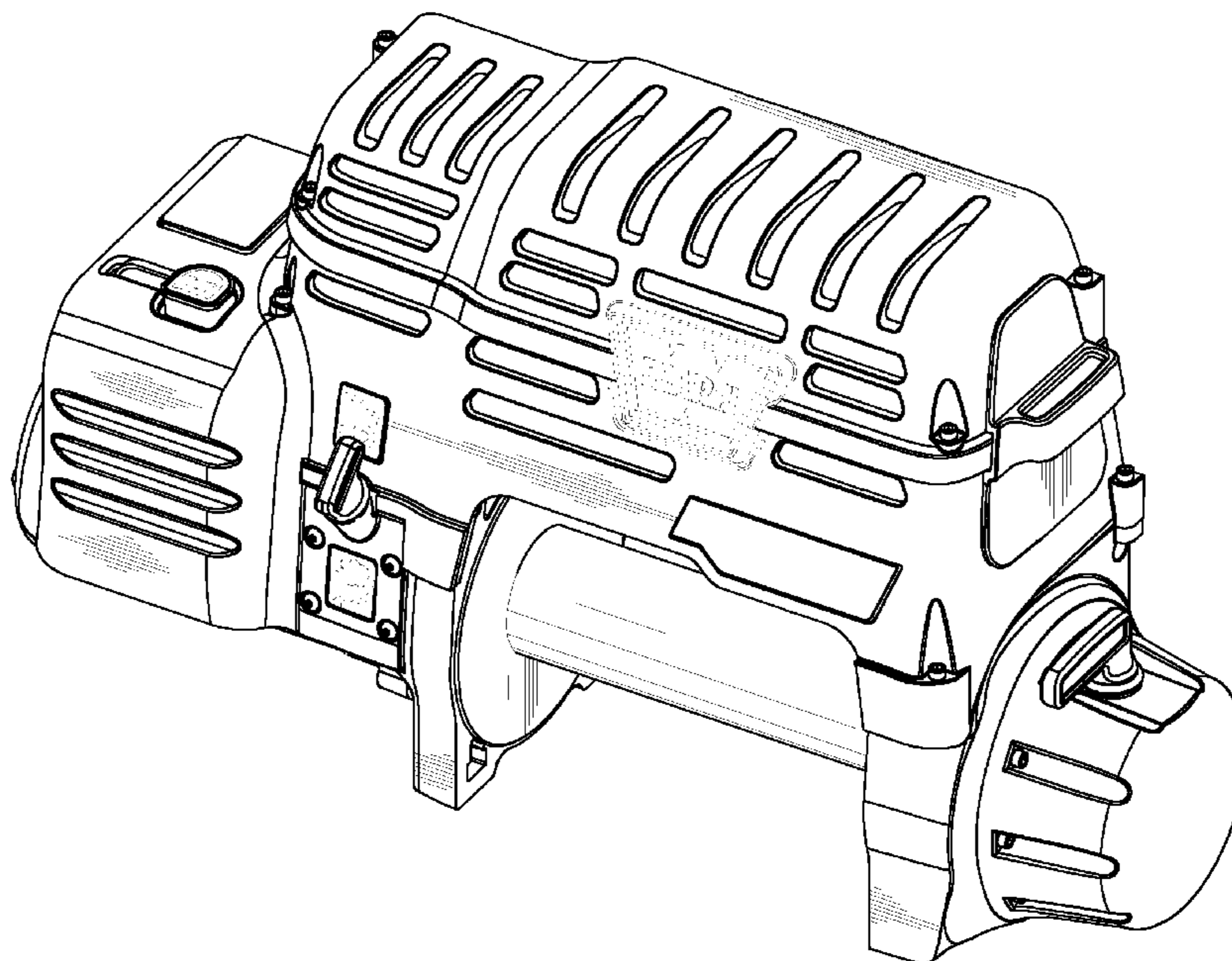
The ornamental design for an integrated air compressor and winch, as shown and described.

**DESCRIPTION**

FIG. 1 is a front perspective view of an integrated air compressor and winch;  
 FIG. 2 is a front planar view thereof;  
 FIG. 3 is a back view thereof;  
 FIG. 4 is a top view thereof;  
 FIG. 5 is a bottom view thereof;  
 FIG. 6 is a right side view thereof; and,  
 FIG. 7 is a left side view thereof.

The phantom lines in FIGS. 1-7 are for illustrative purposes only and do not form part of the claimed invention.

**1 Claim, 7 Drawing Sheets**



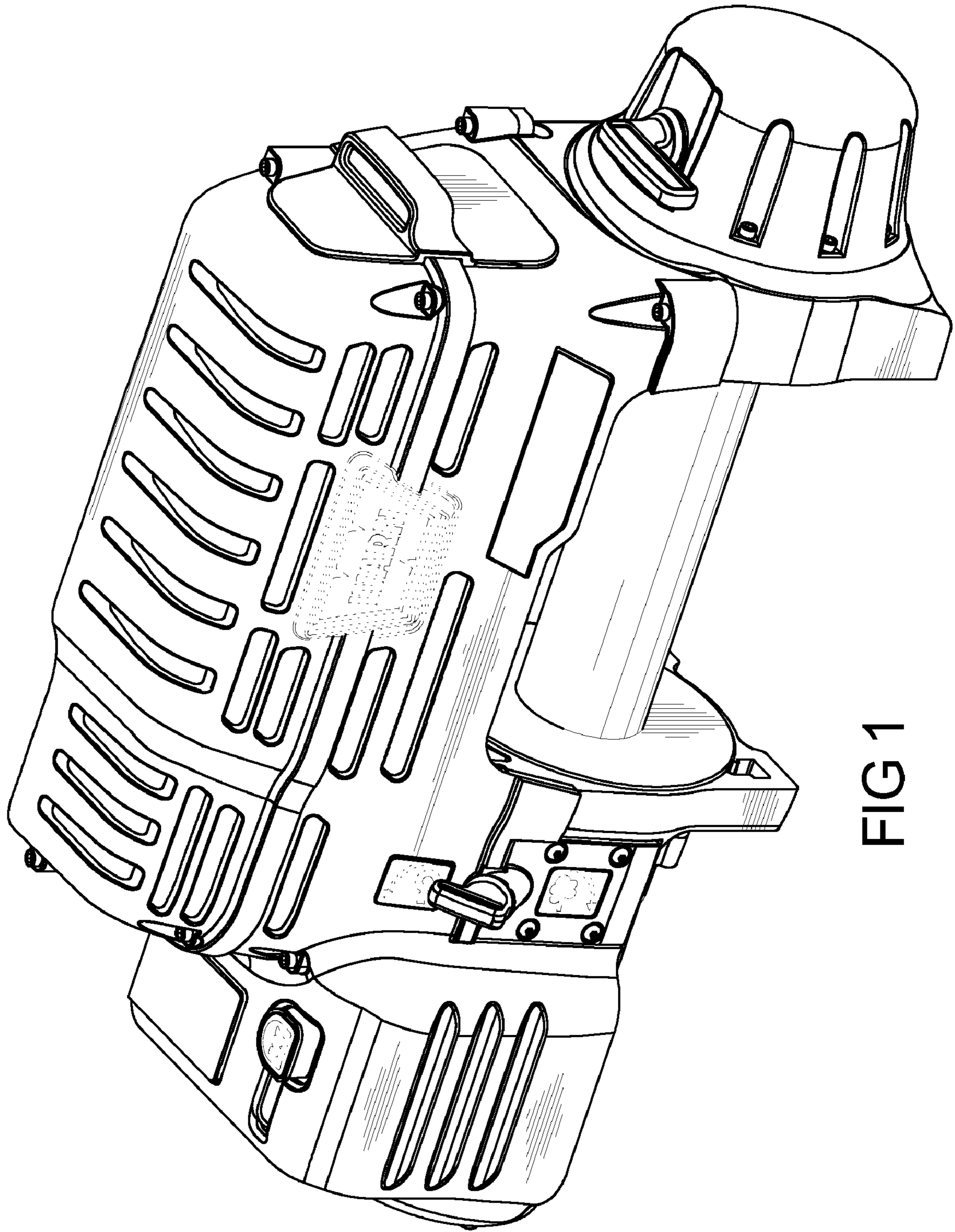


FIG 1

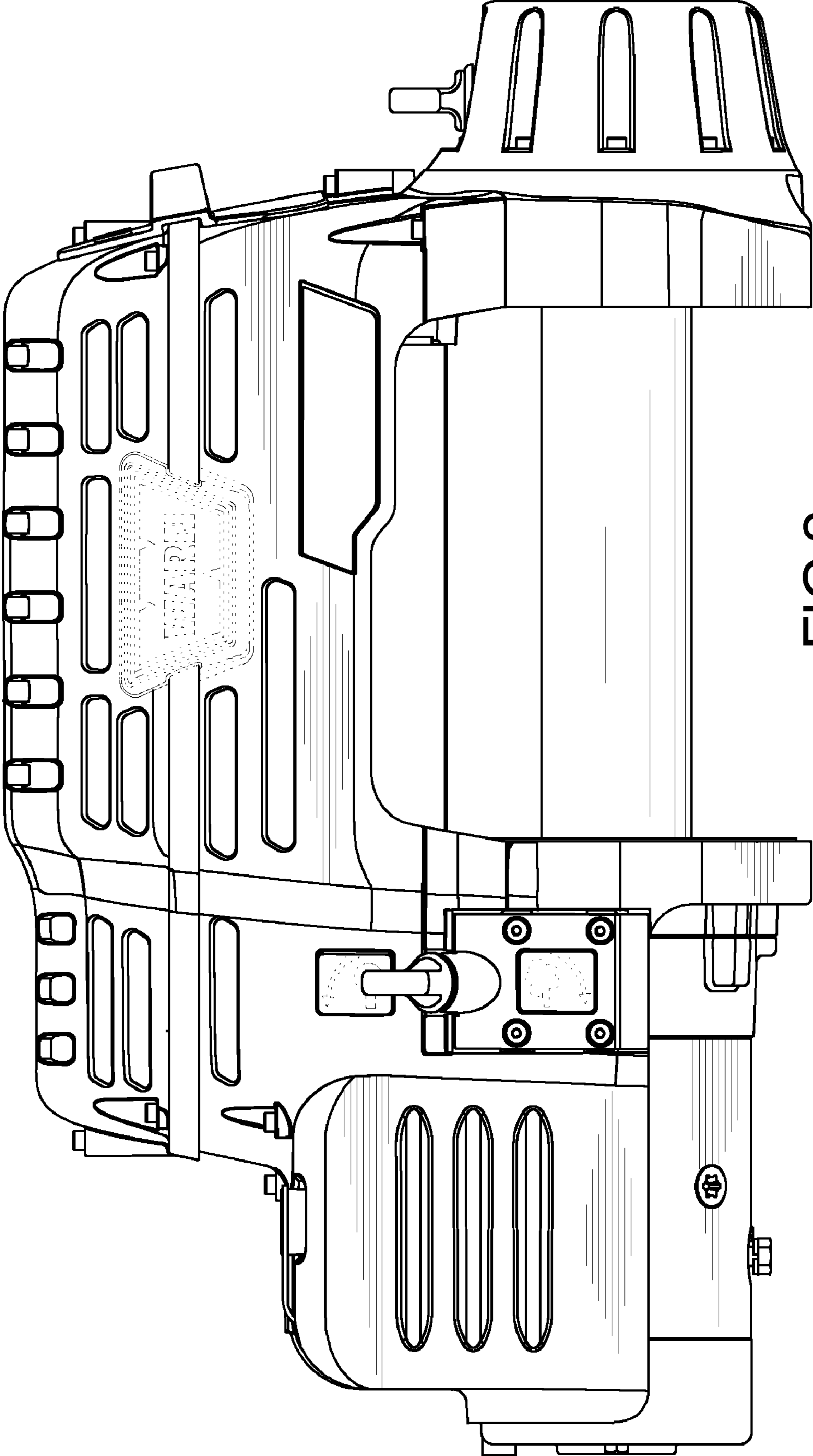


FIG 2

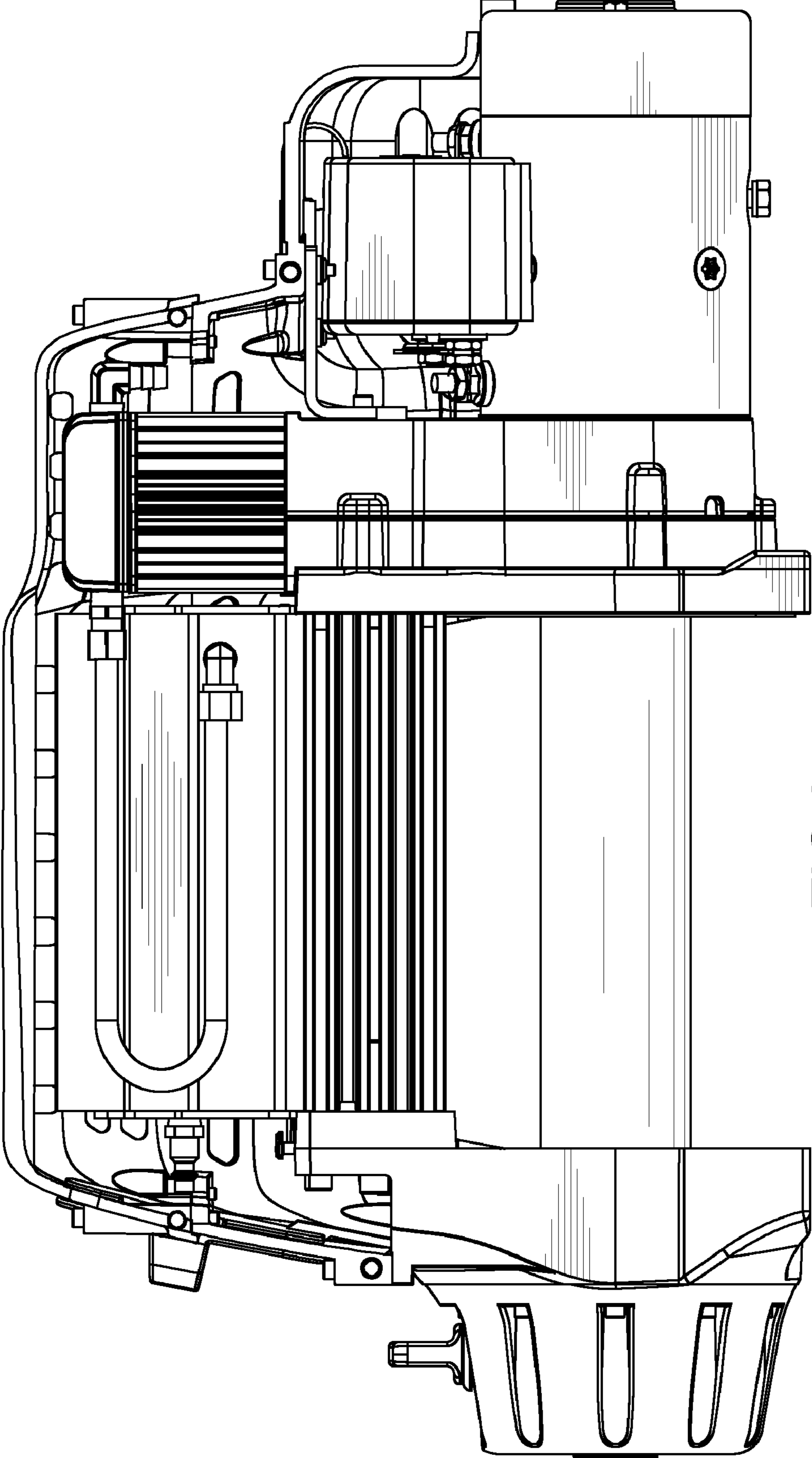


FIG 3

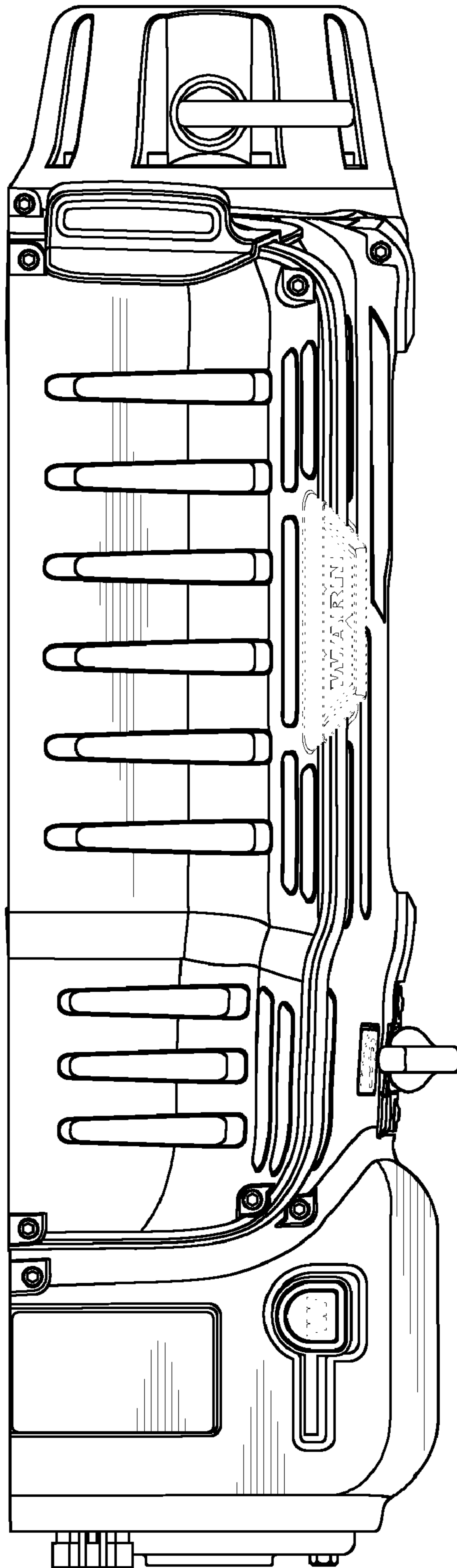


FIG 4

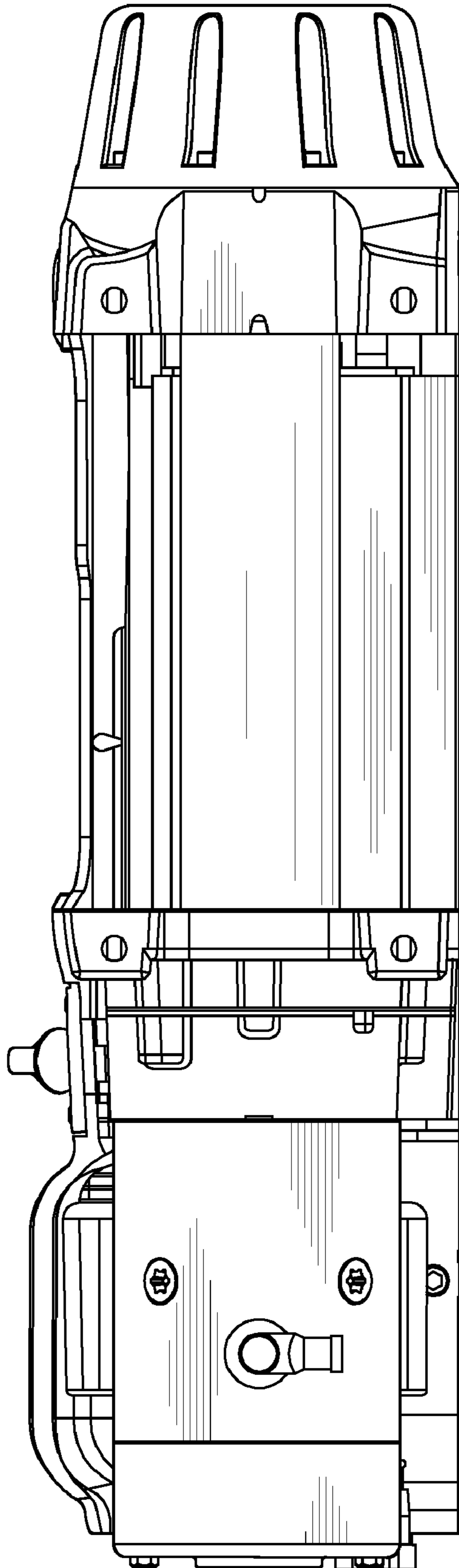


FIG 5

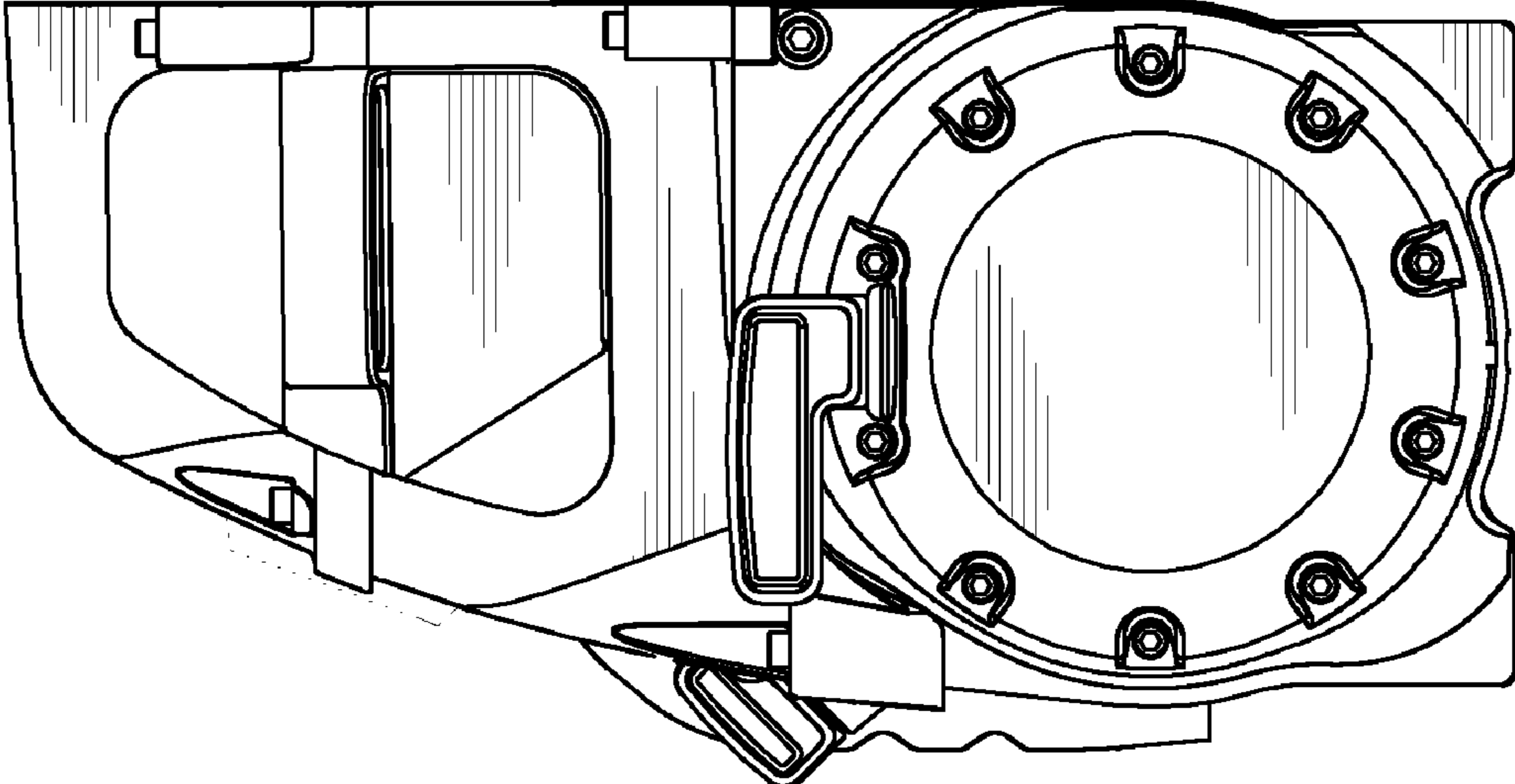


FIG 6

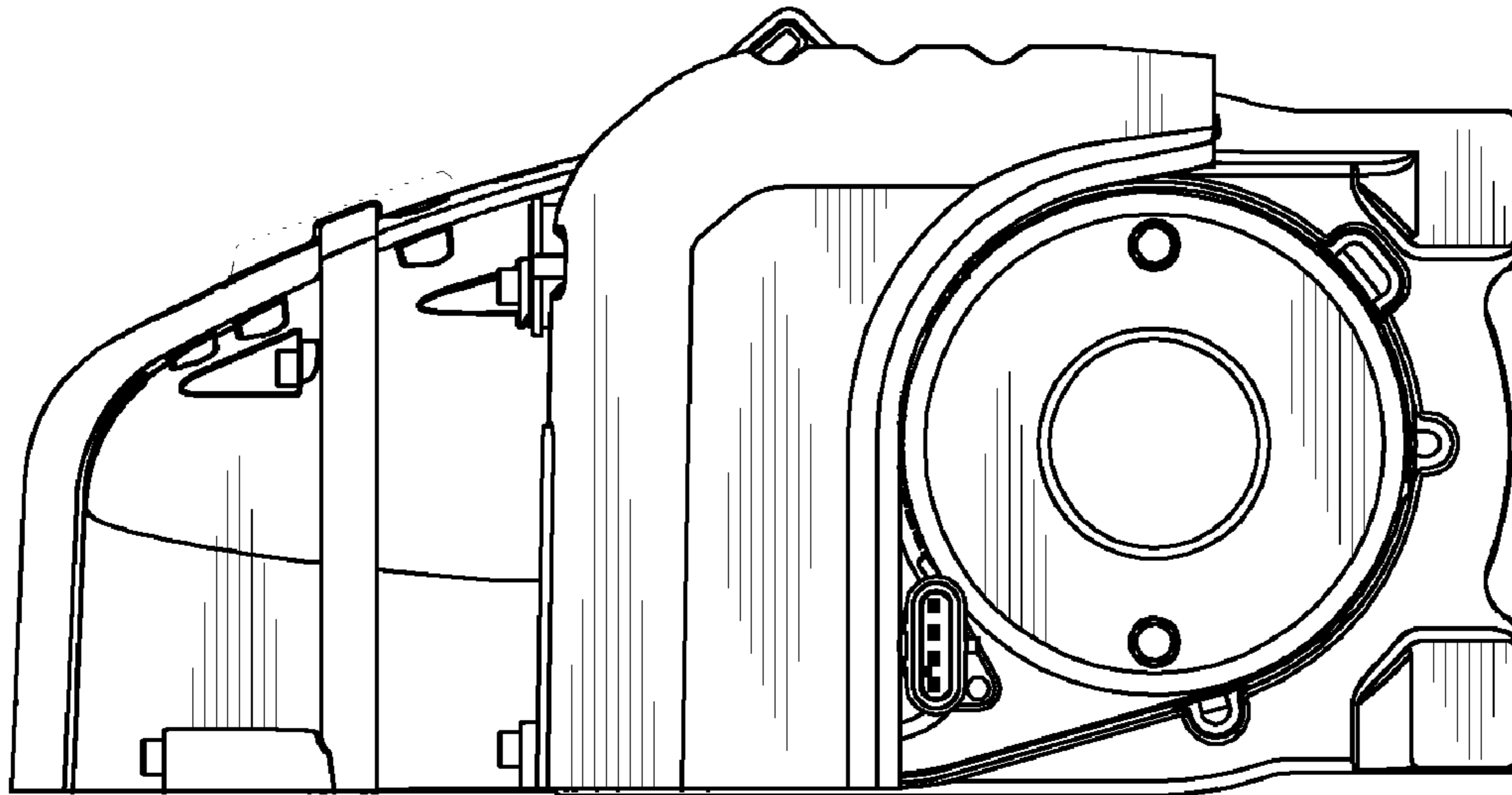


FIG 7