



US00D550719S

(12) **United States Design Patent**  
**Berchialla**

(10) **Patent No.:** **US D550,719 S**

(45) **Date of Patent:** **\*\* Sep. 11, 2007**

(54) **COMPRESSOR**

(75) Inventor: **Marco Berchialla**, Settimo Torinese (IT)

(73) Assignee: **Nu Air Compressors and Tools S.p.A.**, Robassomero (IT)

(\*\*) Term: **14 Years**

(21) Appl. No.: **29/239,172**

(22) Filed: **Sep. 27, 2005**

(30) **Foreign Application Priority Data**

Jun. 10, 2005 (EM) ..... 000356514-0001

(51) **LOC (8) Cl.** ..... **15-02**

(52) **U.S. Cl.** ..... **D15/9**

(58) **Field of Classification Search** ..... D15/7-9;  
D23/232, 231; 417/359, 415-416, 410.1,  
417/321, 265, 405; D32/4, 15  
See application file for complete search history.

(56) **References Cited**

**U.S. PATENT DOCUMENTS**

D481,838 S \* 11/2003 Renner ..... D32/15  
D489,498 S \* 5/2004 Cattaneo ..... D32/15

D490,948 S \* 6/2004 Cattaneo ..... D32/15  
D496,503 S \* 9/2004 Chen ..... D32/16  
D506,762 S \* 6/2005 Pieschel et al. .... D15/9  
D511,782 S \* 11/2005 Hosking ..... D15/9  
D519,126 S \* 4/2006 Leasure et al. .... D15/9  
D532,166 S \* 11/2006 Reverberi ..... D32/4

\* cited by examiner

*Primary Examiner*—Ralf Seifert

(74) *Attorney, Agent, or Firm*—Perman & Green, LLP

(57) **CLAIM**

The ornamental design for a compressor, substantially as shown in the accompanying drawings.

**DESCRIPTION**

FIG. 1 is a first perspective view of my new design relating to a compressor;

FIG. 2 is a front view of my new design;

FIG. 3 is a right side view of my new design;

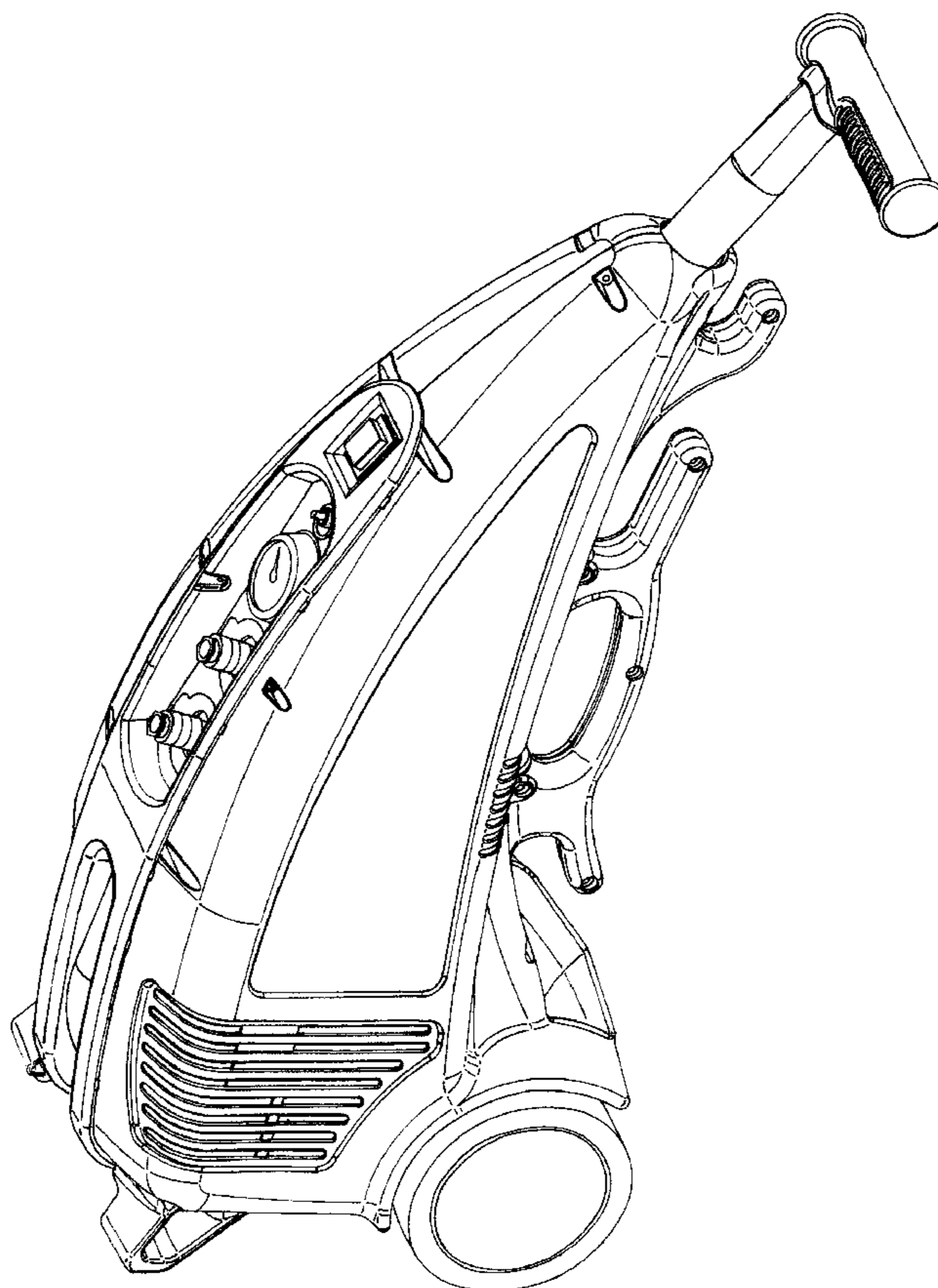
FIG. 4 is a left side view of my new design;

FIG. 5 is a rear view of my new design;

FIG. 6 is a top view of my new design; and,

FIG. 7 is a bottom view of my new design.

**1 Claim, 3 Drawing Sheets**



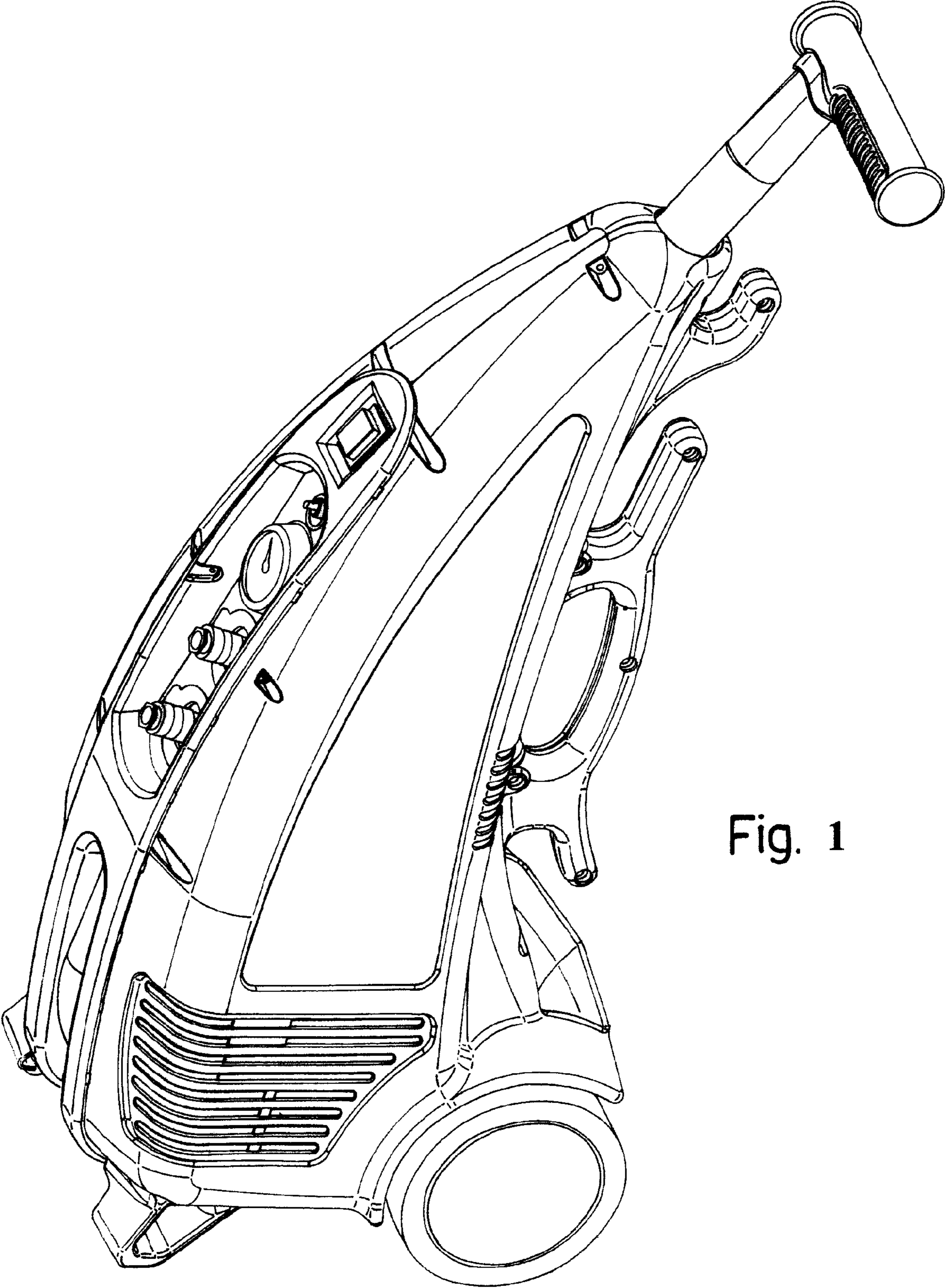


Fig. 1

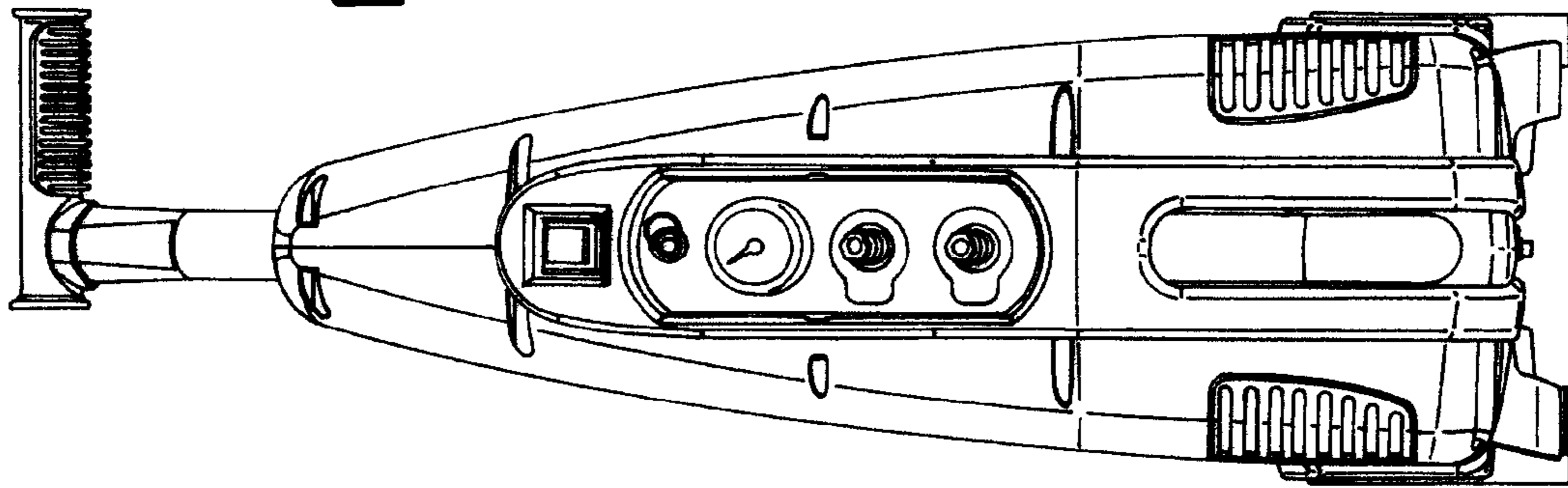


Fig. 2

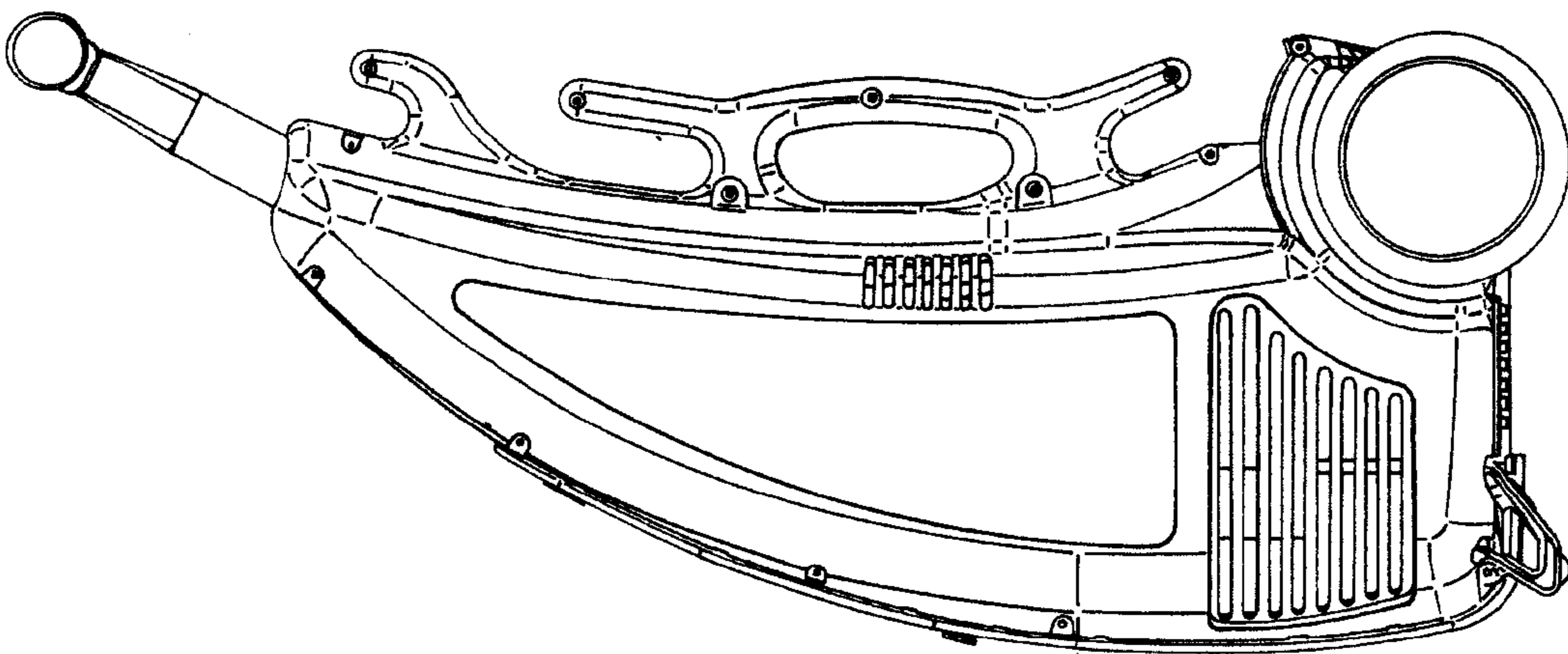


Fig. 3

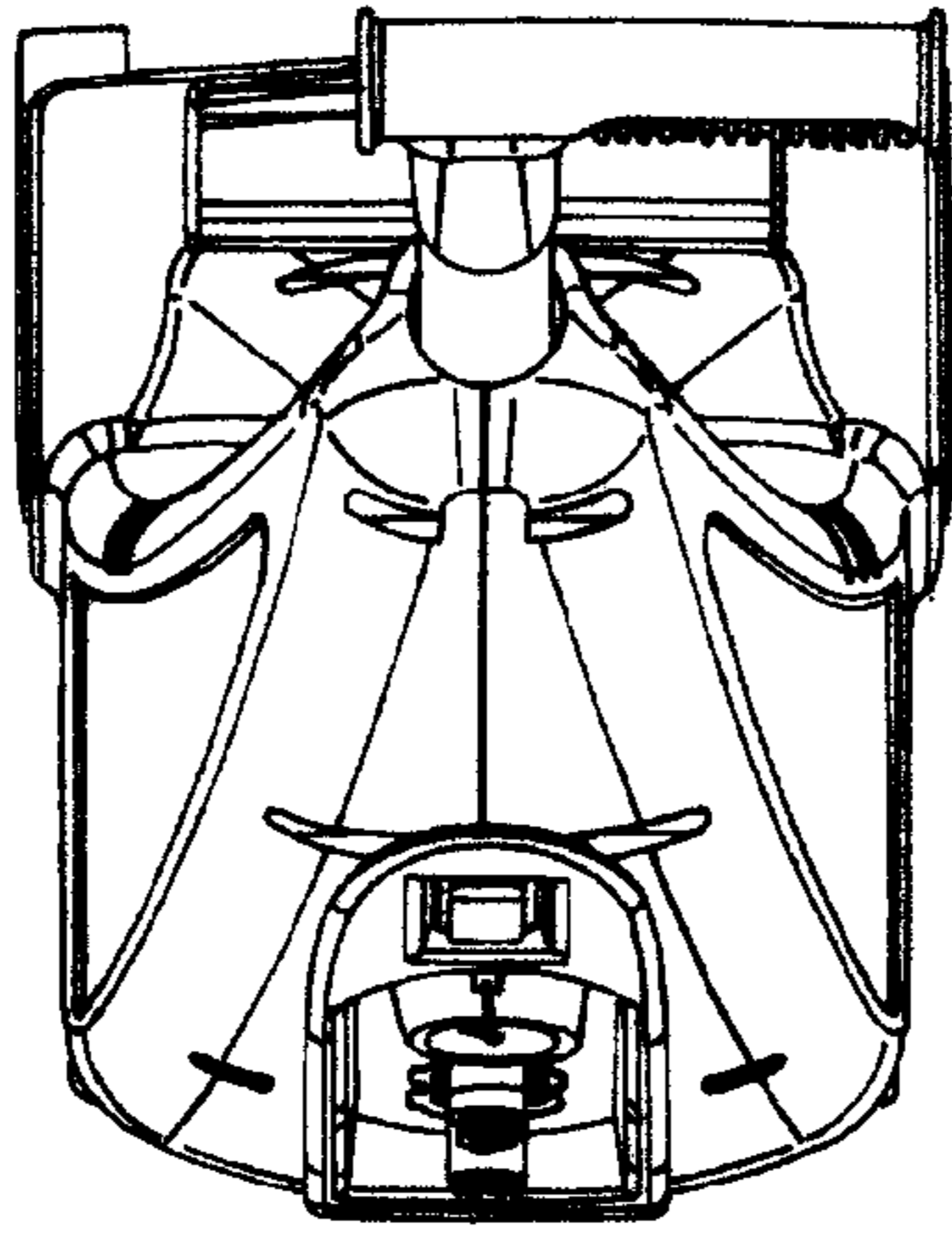


Fig. 6



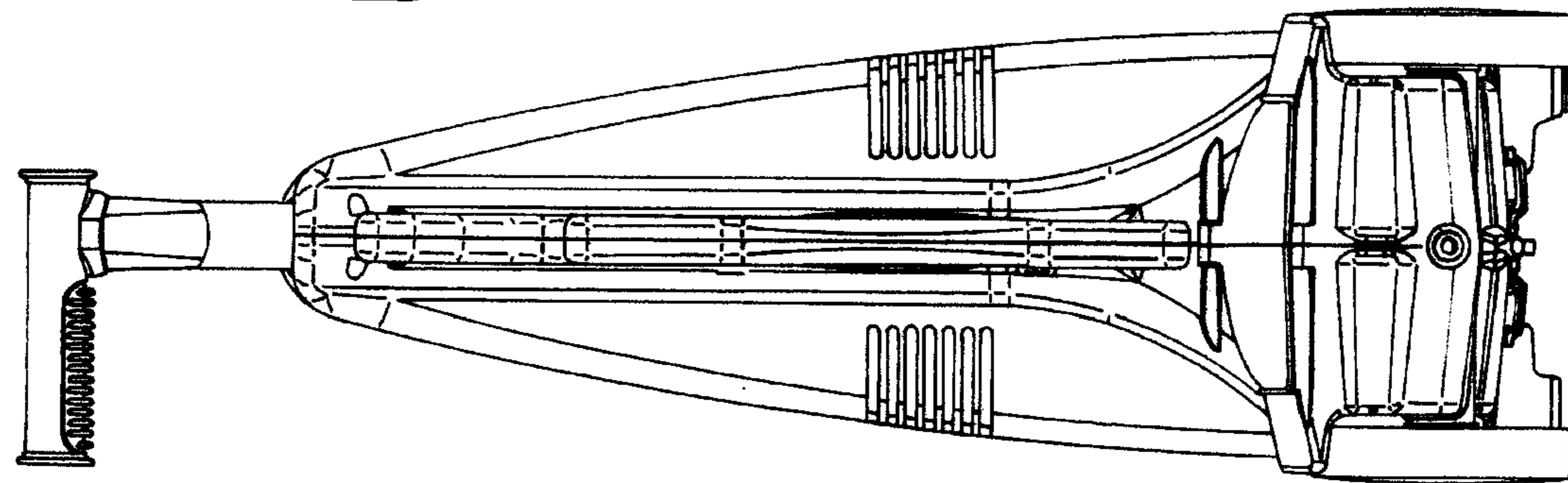


Fig. 5

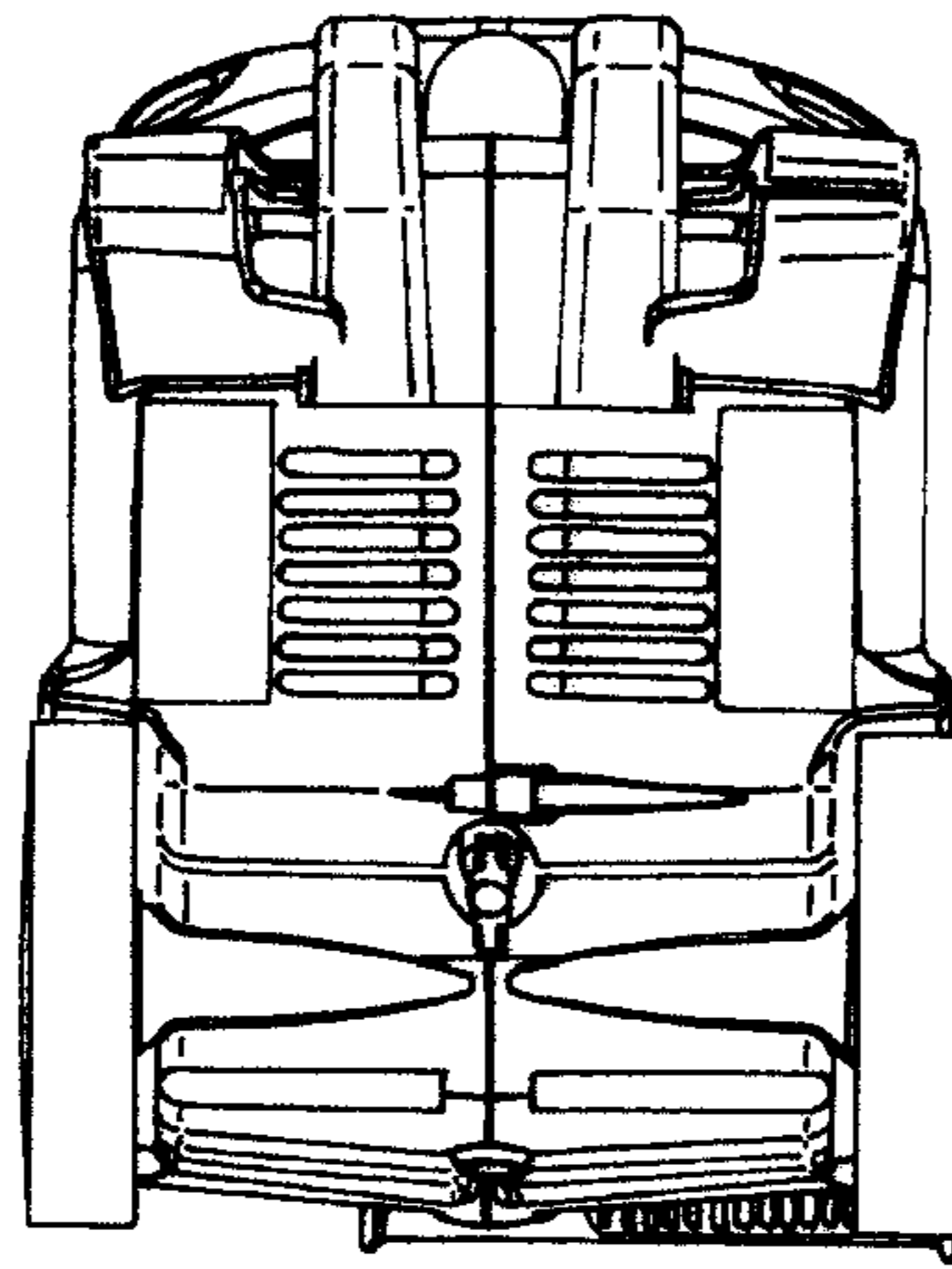


Fig. 7

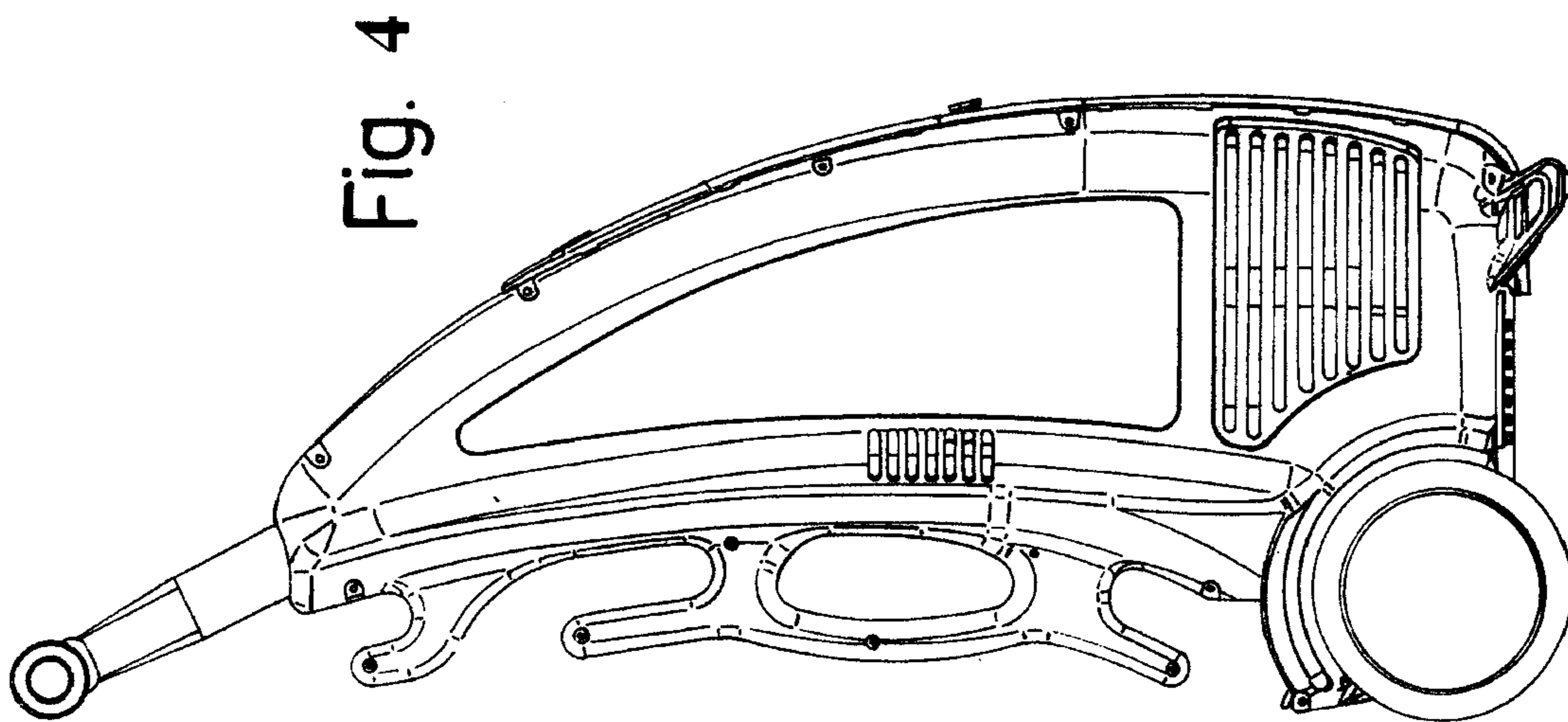


Fig. 4