



US00D550715S

(12) **United States Design Patent**
Davidson et al.

(10) **Patent No.:** **US D550,715 S**

(45) **Date of Patent:** **** Sep. 11, 2007**

(54) **TEXTURE PUMP**

(75) **Inventors:** **Glen W. Davidson**, Roseville, MN (US); **Steven J. Wrobel**, Rogers, MN (US); **Andrew J. Kopel**, Stanchfield, MN (US); **Barry W. Mattson**, Elk River, MN (US); **David J. Thompson**, Oak Grove, MN (US); **James C. Schroeder**, Ramsey, MN (US)

(73) **Assignee:** **Graco Minnesota Inc.**, Minneapolis, MN (US)

(**) **Term:** **14 Years**

(21) **Appl. No.:** **29/249,113**

(22) **Filed:** **Sep. 21, 2006**

(51) **LOC (8) Cl.** **15-07**

(52) **U.S. Cl.** **D15/7**

(58) **Field of Classification Search** D15/7-9;
D23/232, 231; 417/359, 415-416, 410.1,
417/321, 265, 405

See application file for complete search history.

(56) **References Cited**

U.S. PATENT DOCUMENTS

3,055,304 A * 9/1962 Ziegler 222/54
D331,858 S * 12/1992 Erway D7/368

* cited by examiner

Primary Examiner—Ralf Seifert

(74) *Attorney, Agent, or Firm*—Douglas B. Farrow

(57) **CLAIM**

The ornamental design for the texture pump, as shown and described.

DESCRIPTION

FIG. 1 is a front perspective view of the texture pump;

FIG. 2 is a top elevation view thereof;

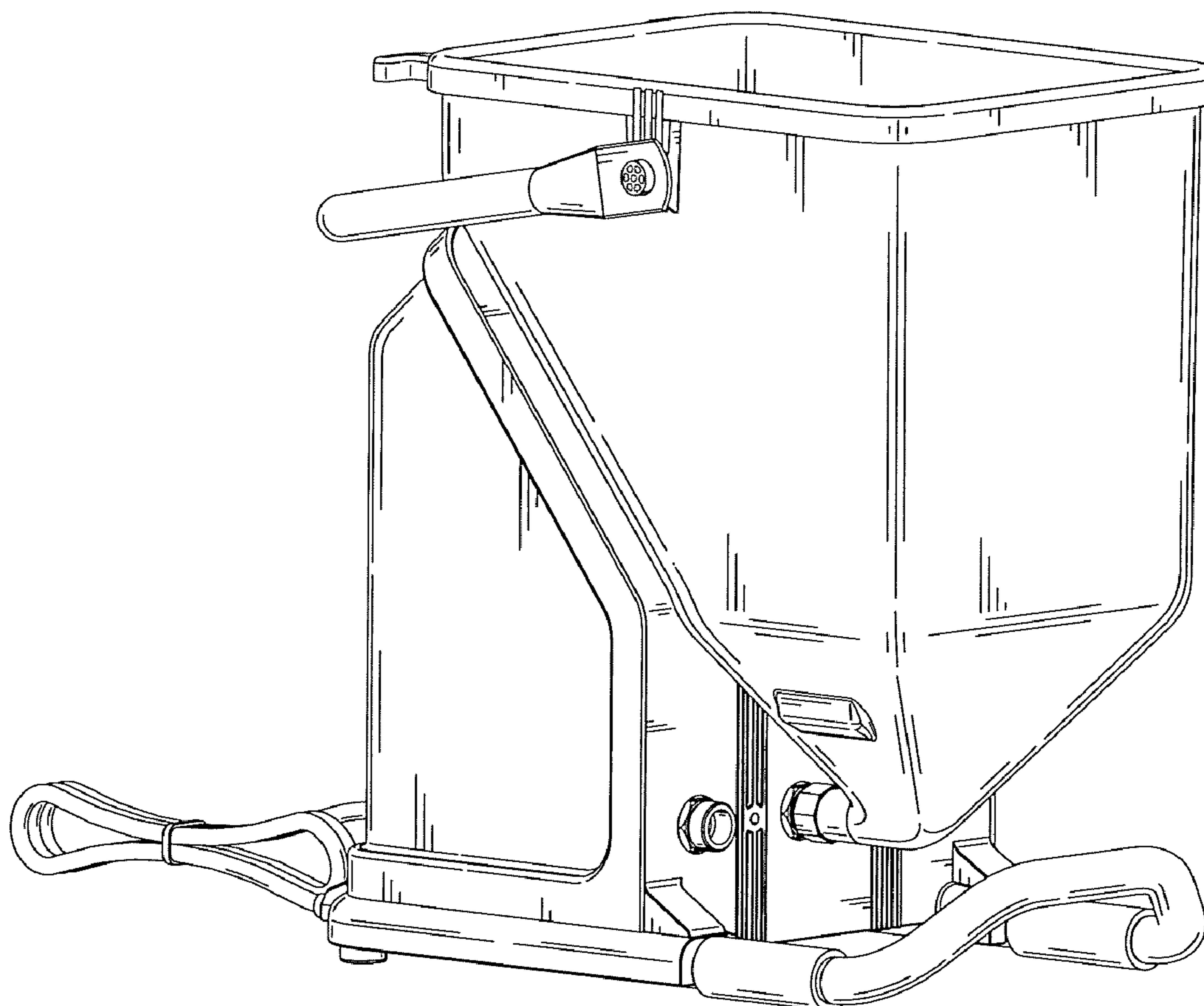
FIG. 3 is a left side elevation view thereof;

FIG. 4 is a front elevation view thereof;

FIG. 5 is a right side elevation view thereof; and,

FIG. 6 is a back elevation view thereof.

1 Claim, 4 Drawing Sheets



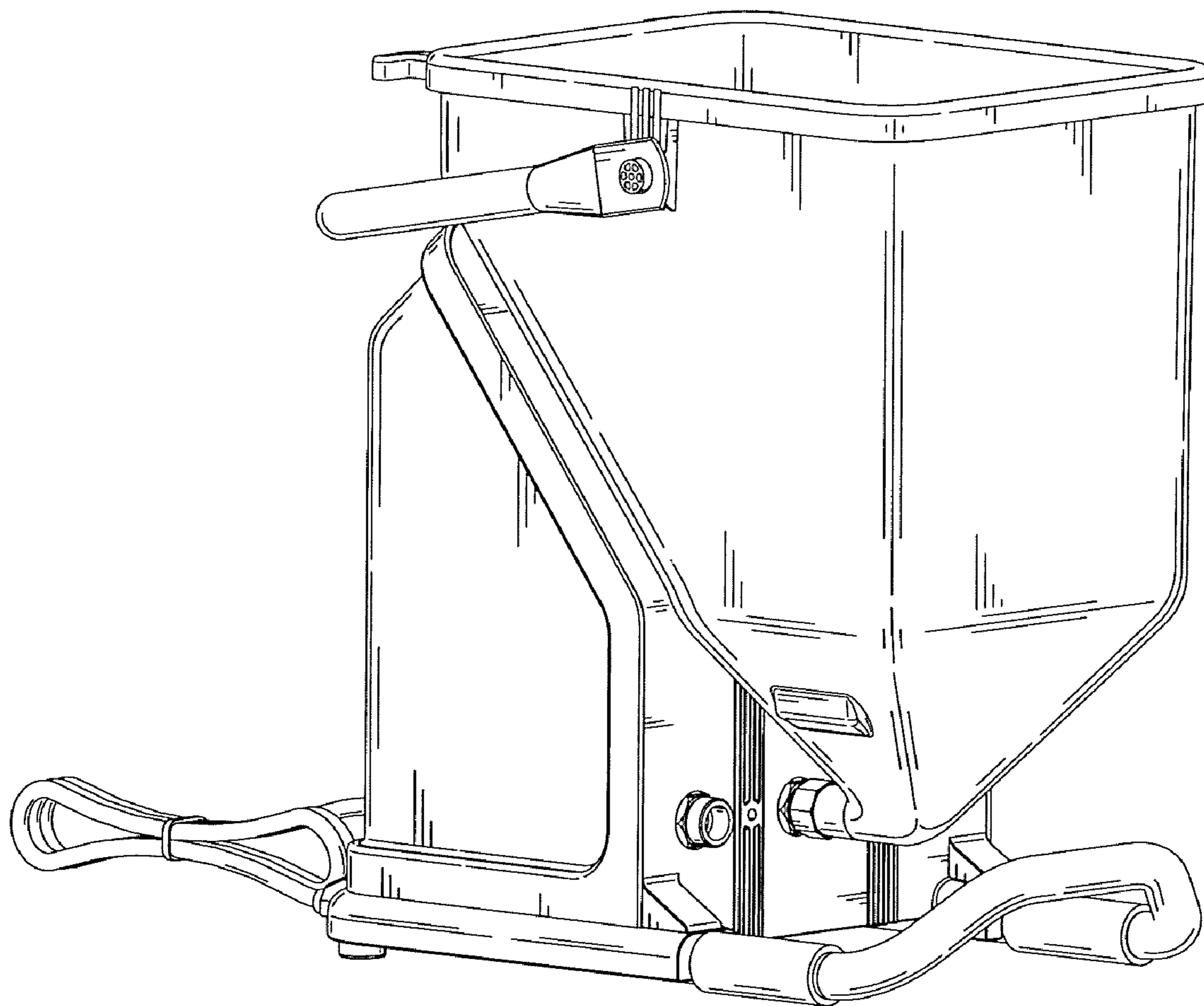


FIG. 1

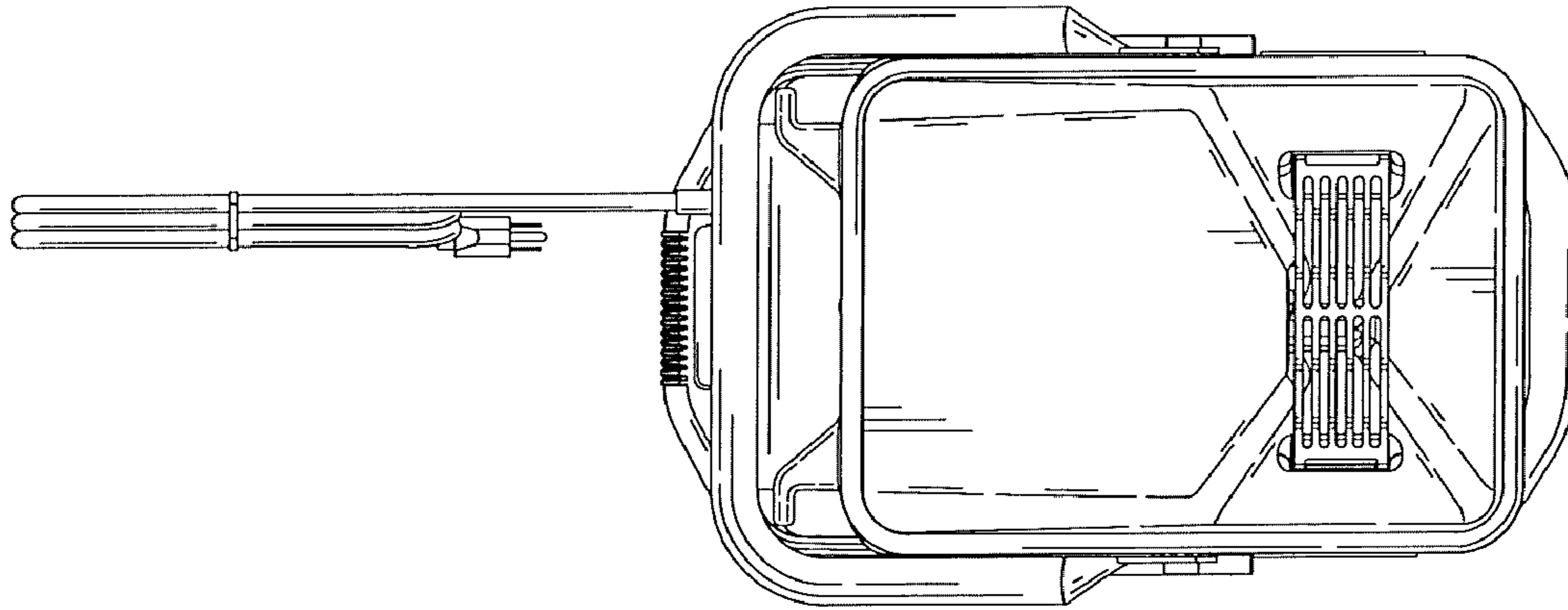


FIG. 2

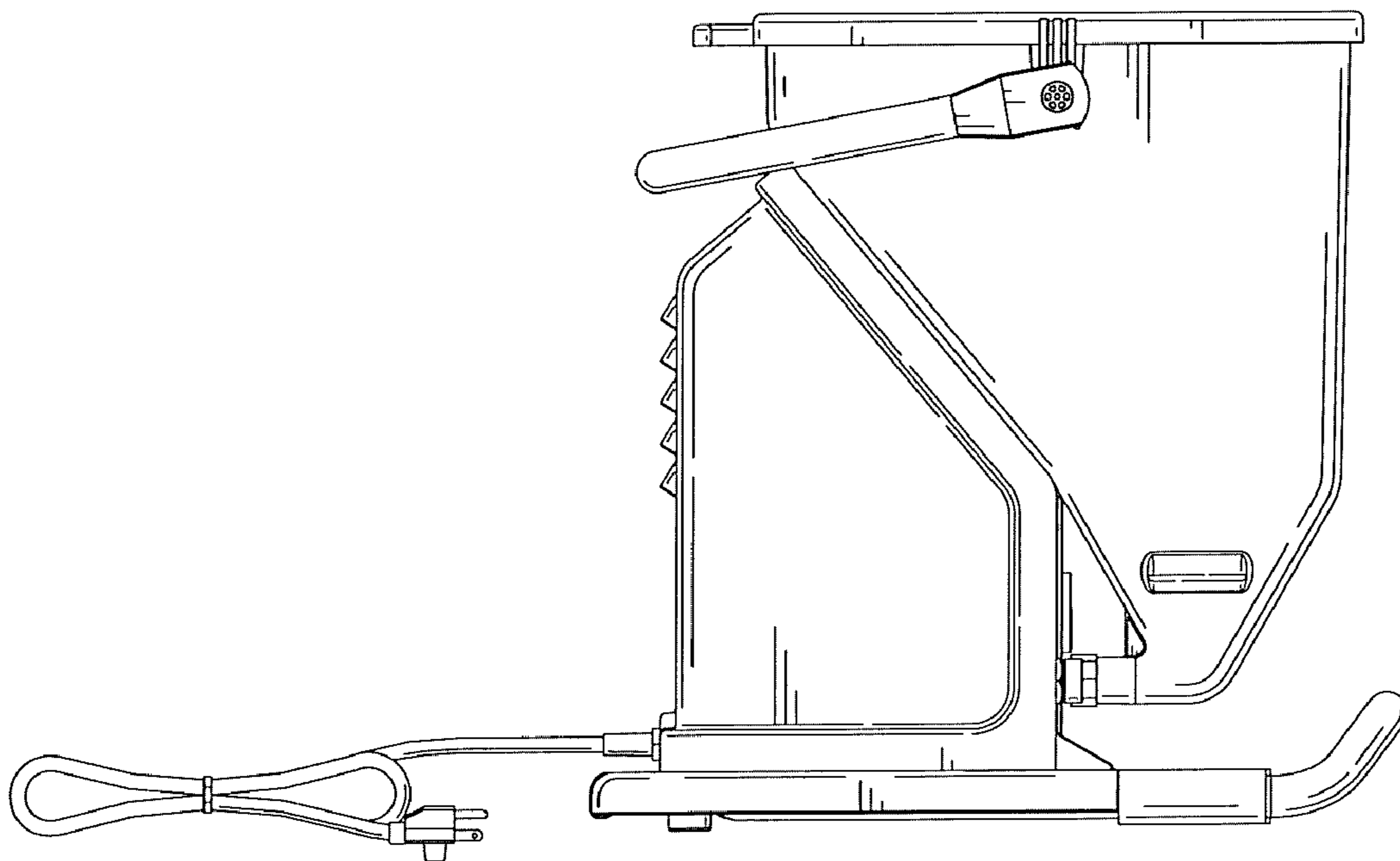


FIG. 3

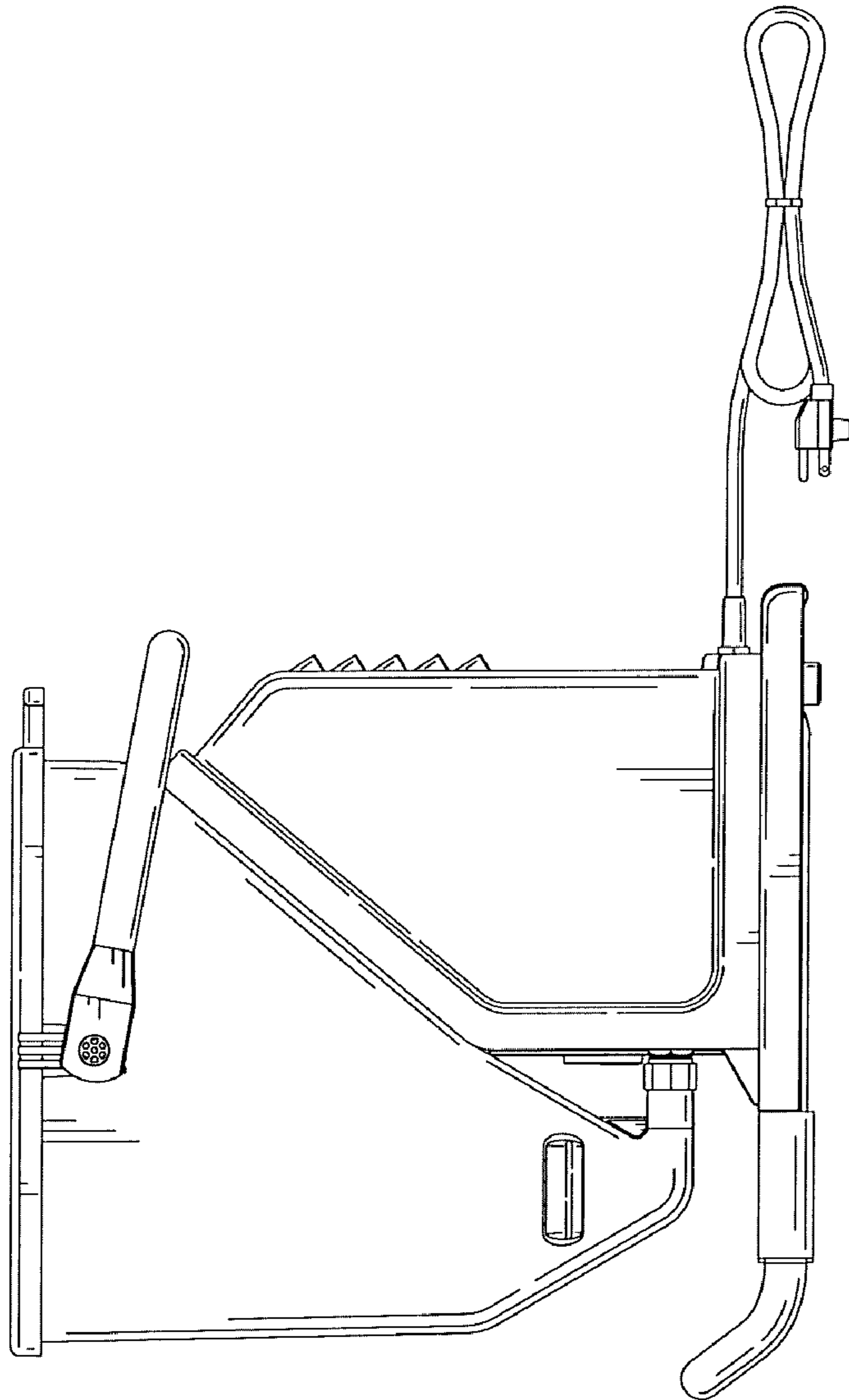


FIG. 5

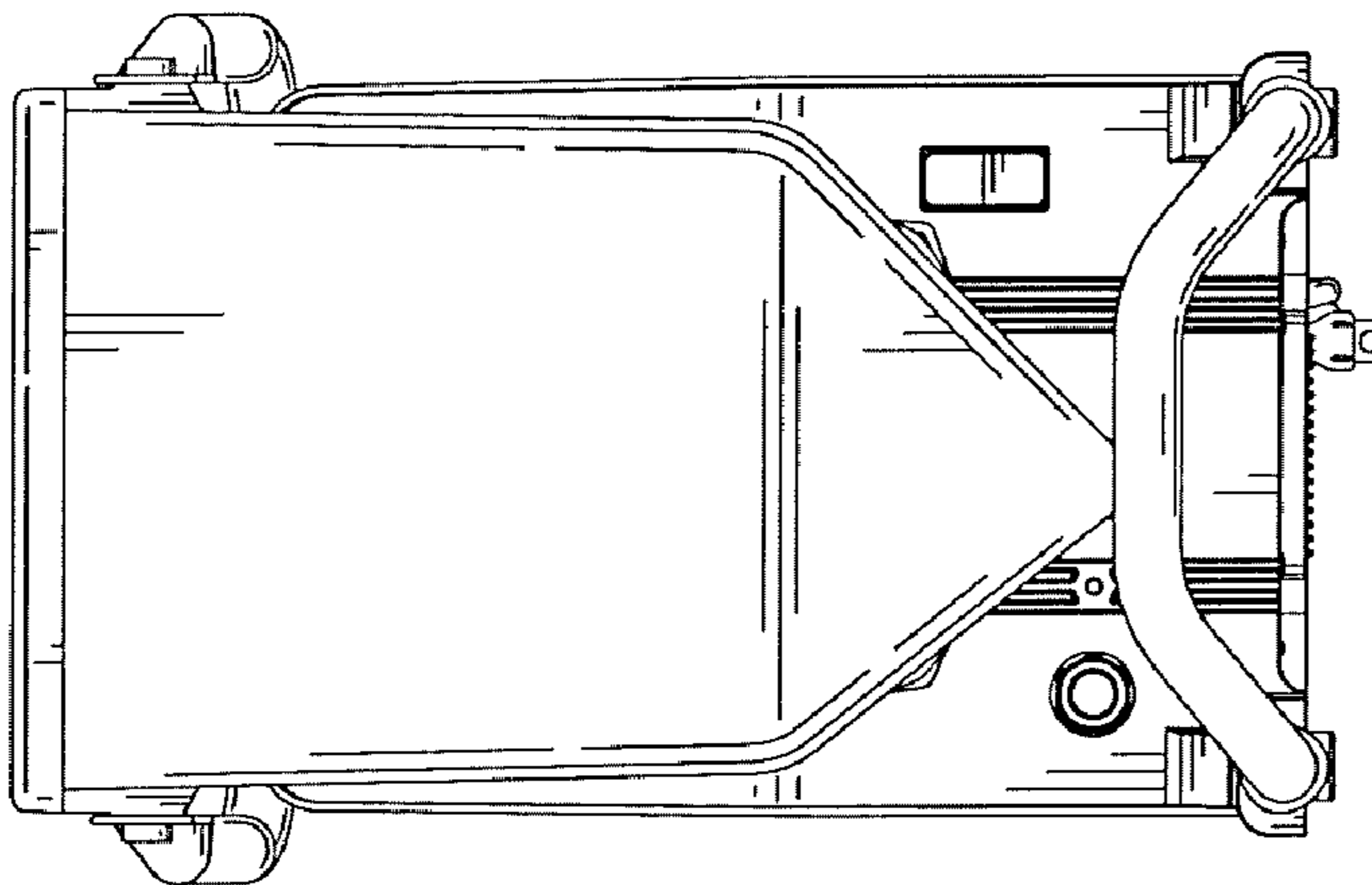


FIG. 4

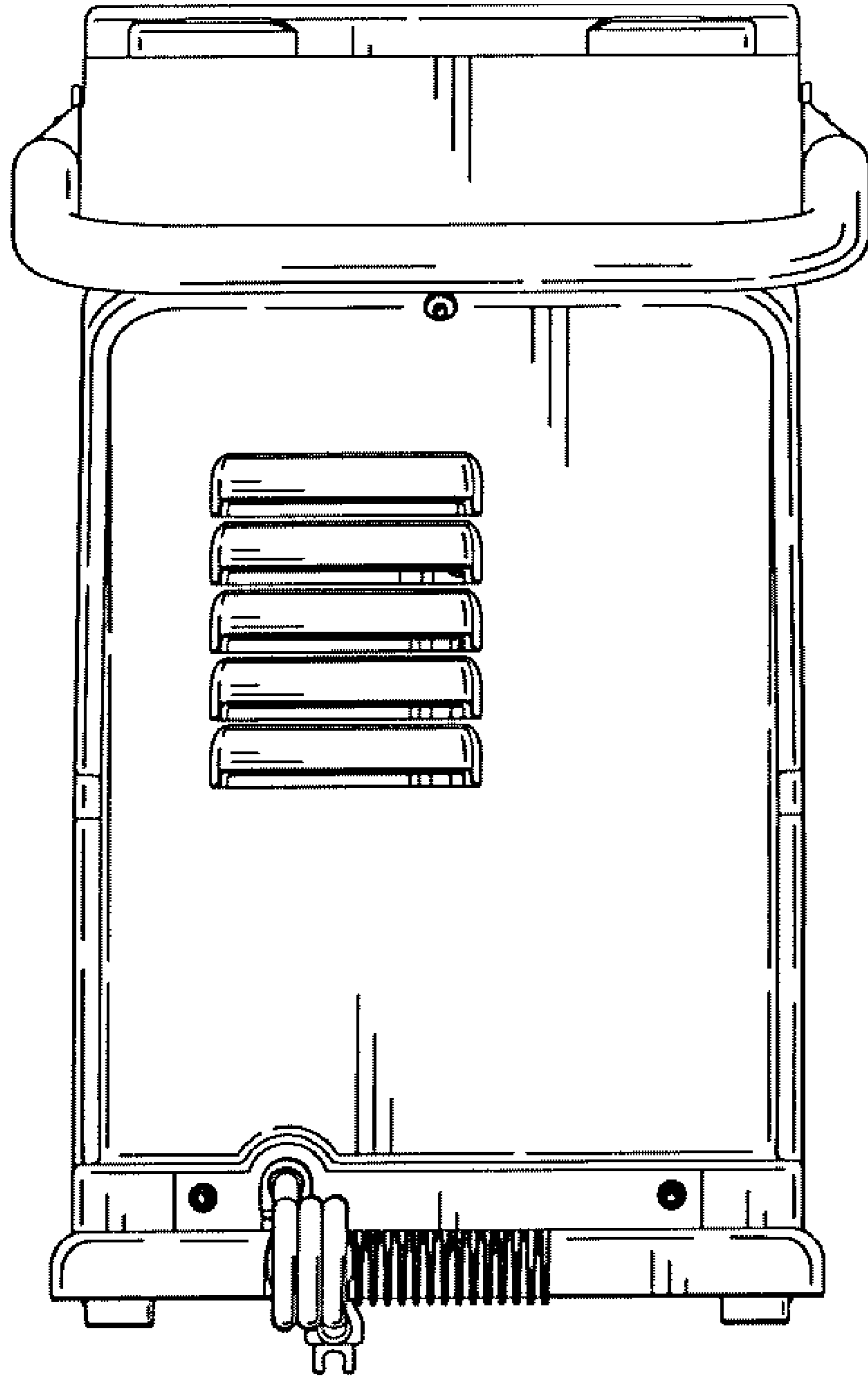


FIG. 6