



US00D550706S

(12) **United States Design Patent**  
**Ichinose**

(10) **Patent No.:** **US D550,706 S**

(45) **Date of Patent:** **\*\* Sep. 11, 2007**

(54) **MP3 PLAYER**

(75) Inventor: **Tomoyoshi Ichinose**, Tokyo (JP)

(73) Assignee: **Samsung Electronics Co., Ltd.**,  
Suwon-Si (KR)

(\*\*) Term: **14 Years**

(21) Appl. No.: **29/264,111**

(22) Filed: **Aug. 4, 2006**

(30) **Foreign Application Priority Data**

Feb. 10, 2006 (KR) ..... 30-2006-0005039

(51) **LOC (8) Cl.** ..... **14-03**

(52) **U.S. Cl.** ..... **D14/496**

(58) **Field of Classification Search** ..... D14/496,  
D14/401, 435, 474, 483, 217, 137, 138, 160,  
D14/168; 345/156, 169, 173-179, 905; 715/727-729,  
715/864; 455/11.1, 773, 344-347, 93, 95;  
370/342-344; 369/1, 2, 6, 12; 463/43-47;  
273/148 B

See application file for complete search history.

(56) **References Cited**

**U.S. PATENT DOCUMENTS**

4,398,281 A \* 8/1983 Hughes ..... 369/77.11  
5,964,661 A \* 10/1999 Dodge ..... 463/24

D438,525 S \* 3/2001 Katayama ..... D14/156  
D441,735 S \* 5/2001 Katayama ..... D14/156  
6,254,477 B1 \* 7/2001 Sasaki et al. .... 463/1  
D489,731 S \* 5/2004 Huang ..... D14/496  
D501,192 S \* 1/2005 Griffin ..... D14/155  
6,851,552 B1 \* 2/2005 Chao ..... 206/5  
D503,409 S \* 3/2005 Wong et al. .... D14/496

\* cited by examiner

*Primary Examiner*—Prabhakar Deshmukh

(74) *Attorney, Agent, or Firm*—Staas & Halsey LLP

(57) **CLAIM**

The ornamental design for an MP3 player, as shown and described.

**DESCRIPTION**

FIG. 1 is a perspective view of an MP3 player according to my new design;

FIG. 2 is a front elevational view thereof;

FIG. 3 is a rear elevational view thereof;

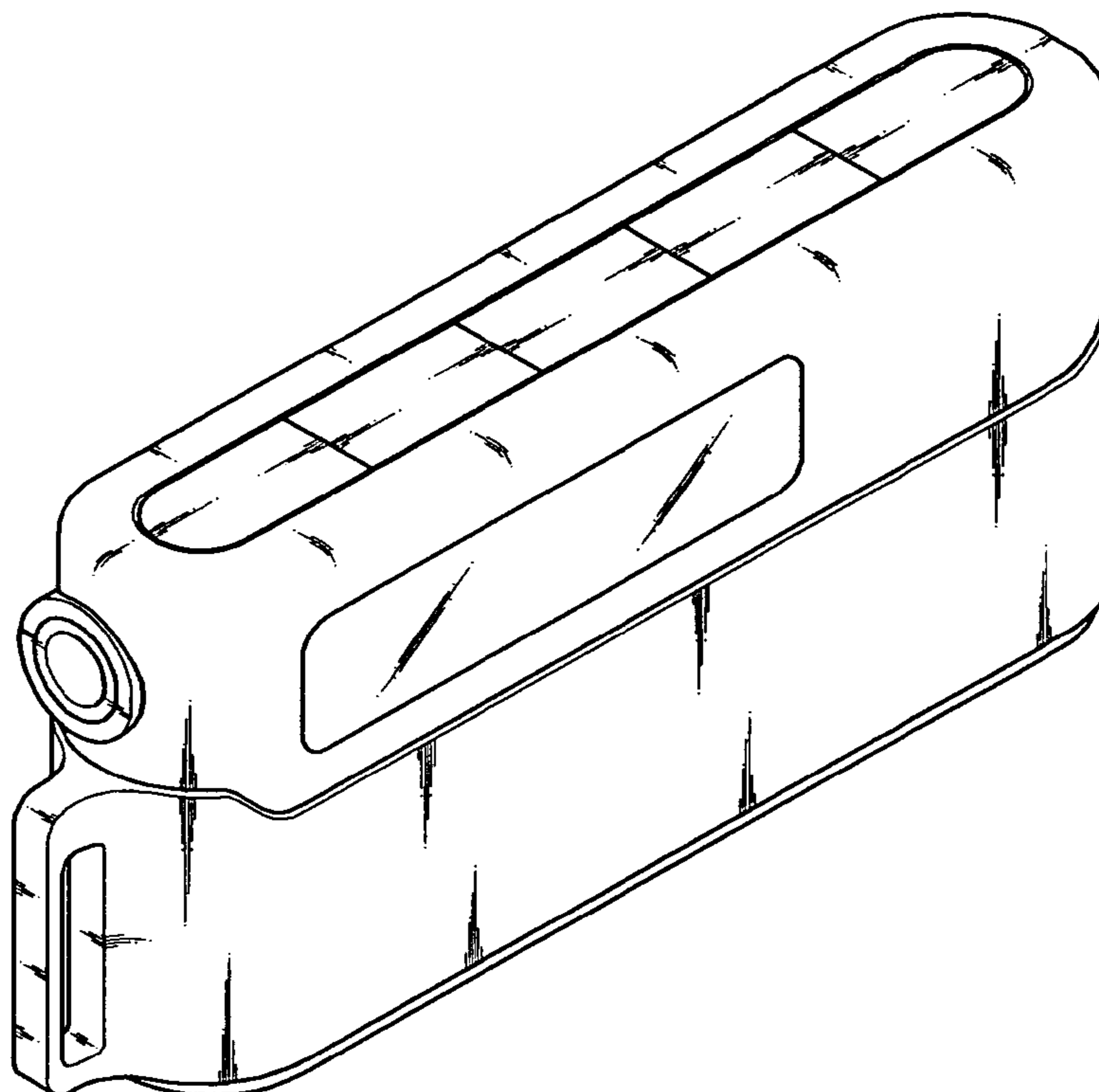
FIG. 4 is a left side elevational view thereof;

FIG. 5 is a right side elevational view thereof;

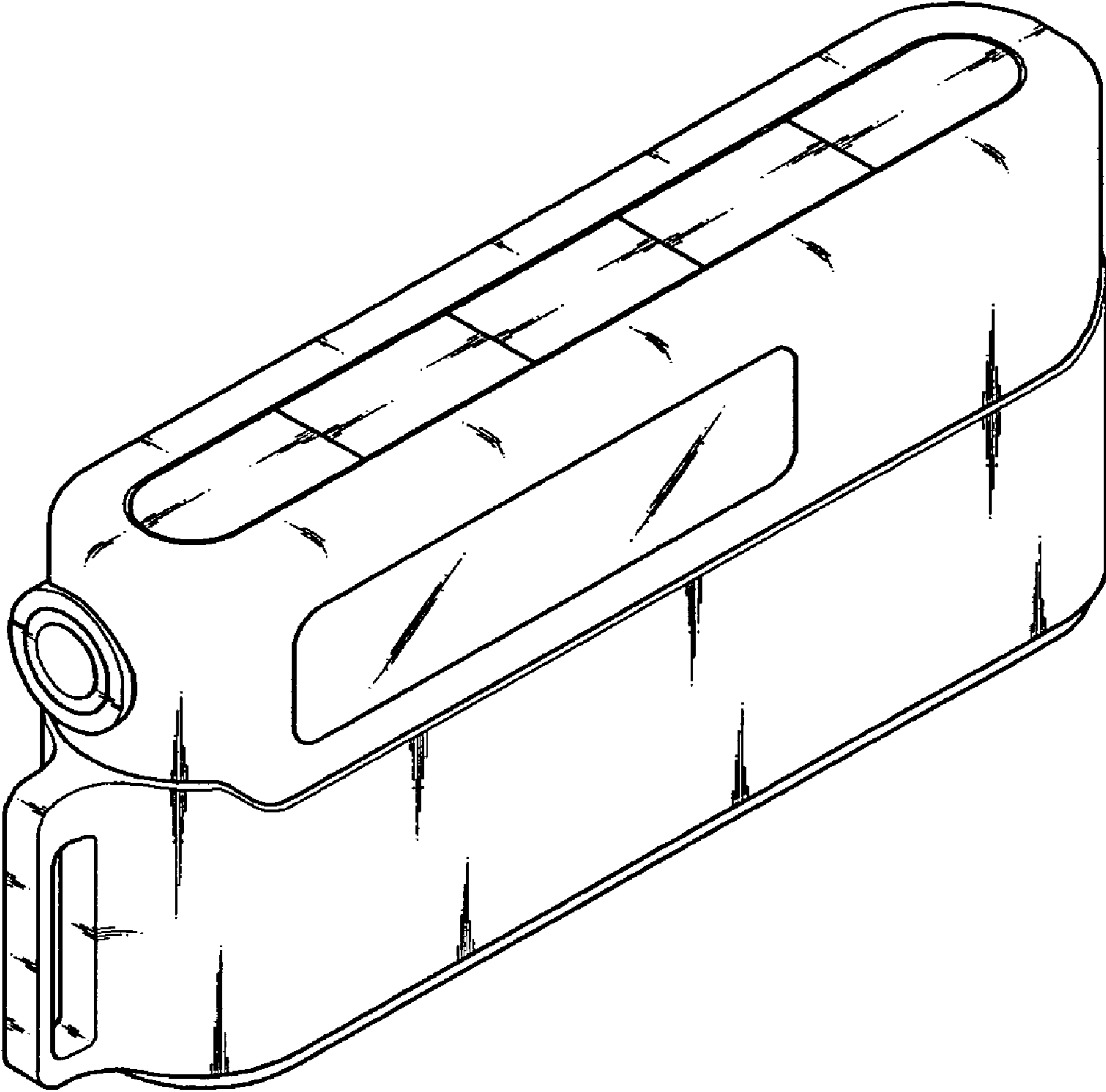
FIG. 6 is a top plan view thereof; and,

FIG. 7 is a bottom plan view thereof.

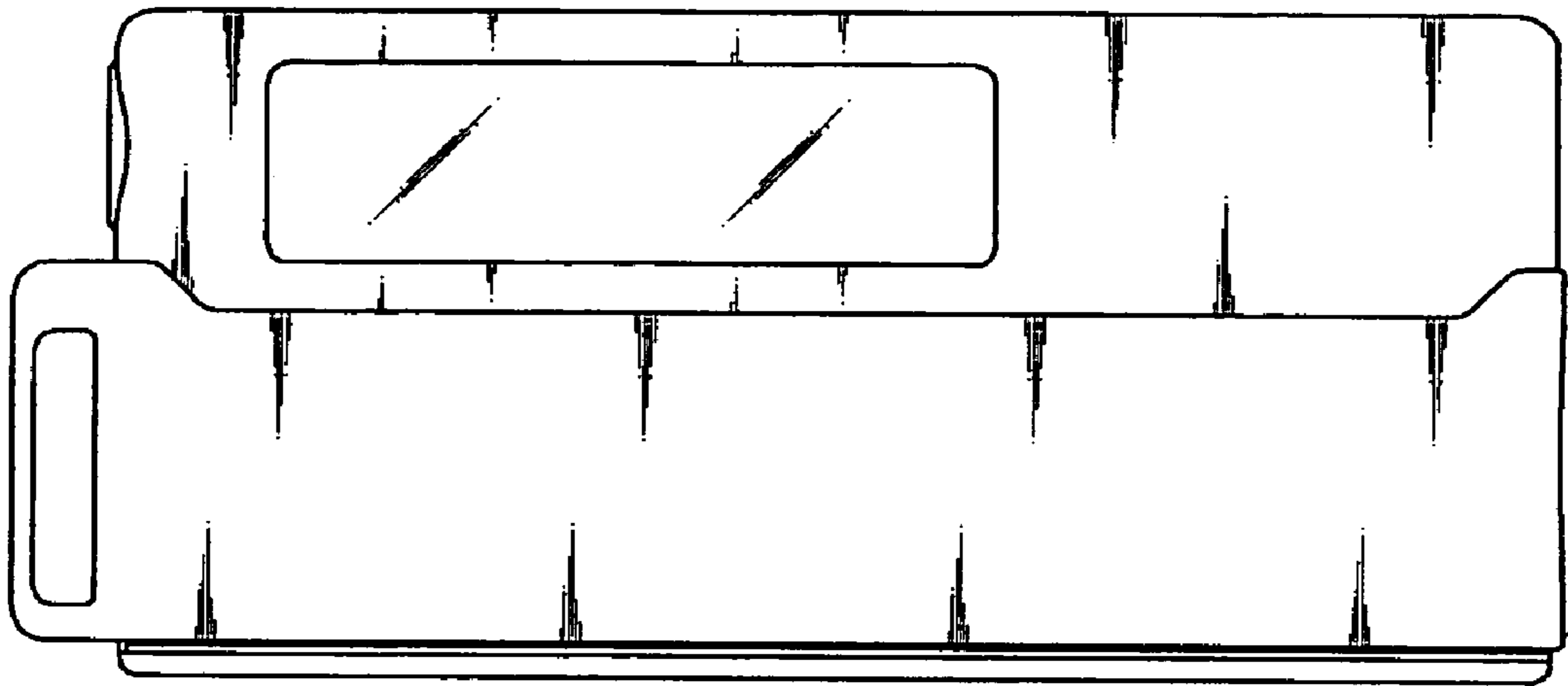
**1 Claim, 4 Drawing Sheets**



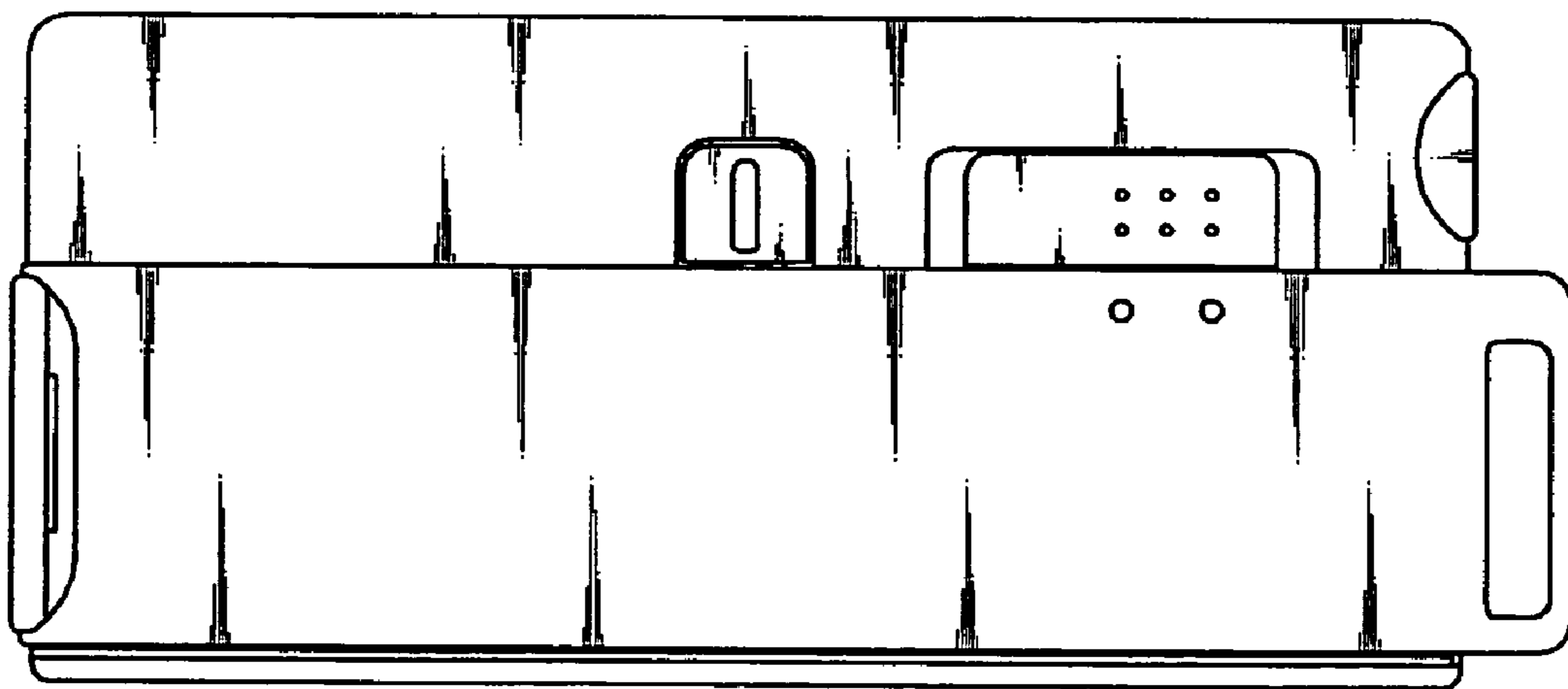
*FIG. 1*



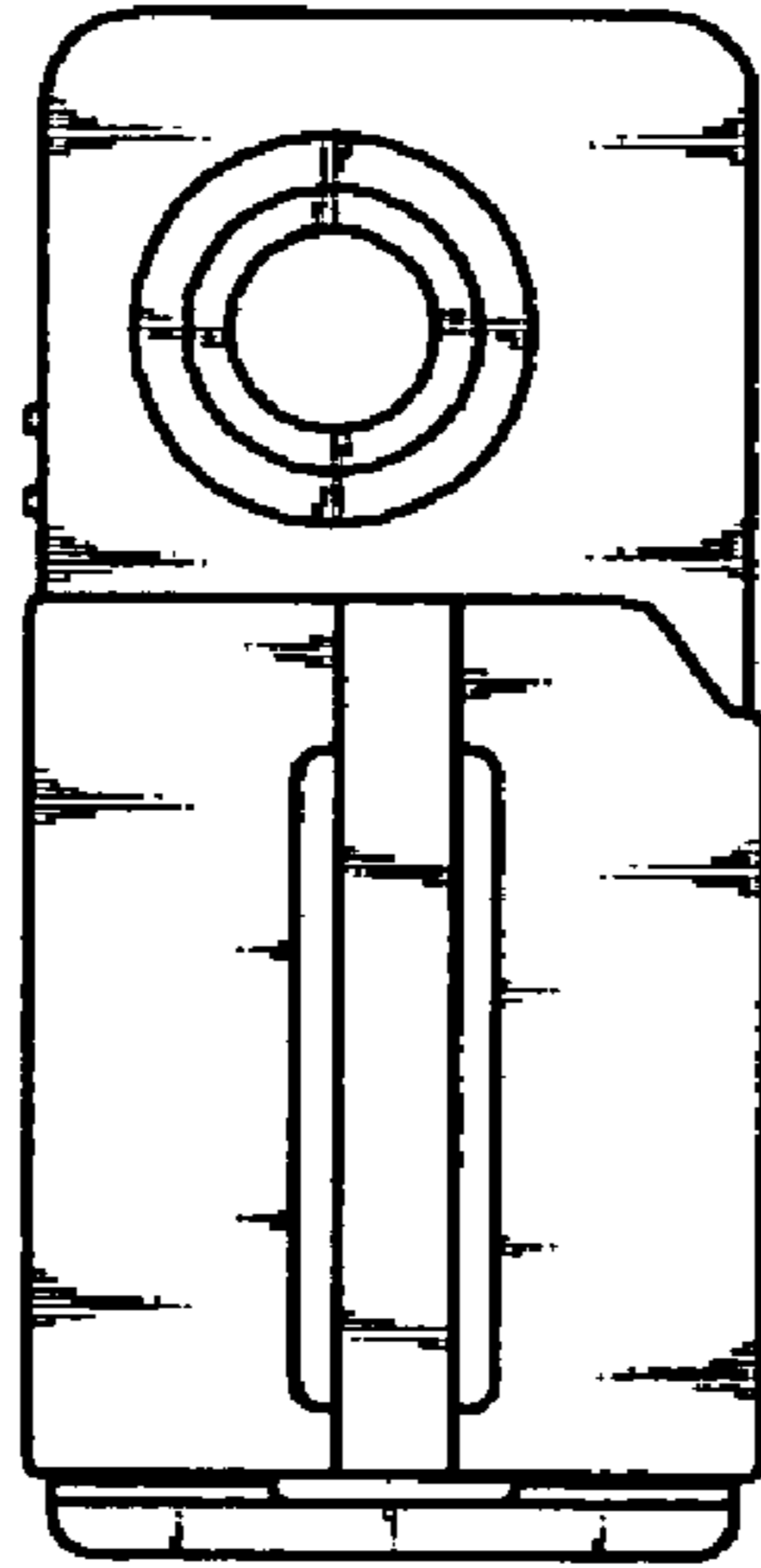
*FIG. 2*



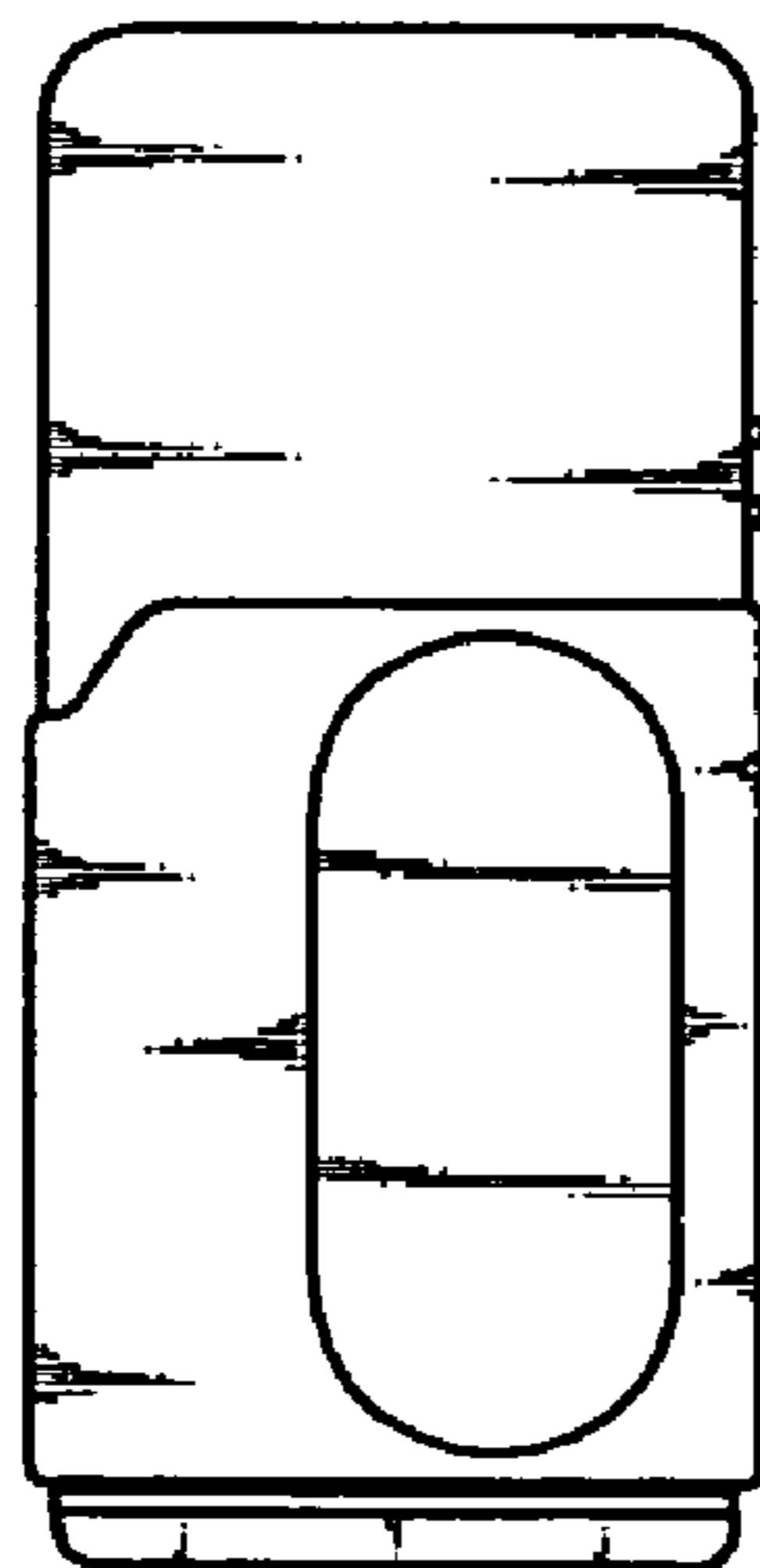
*FIG. 3*



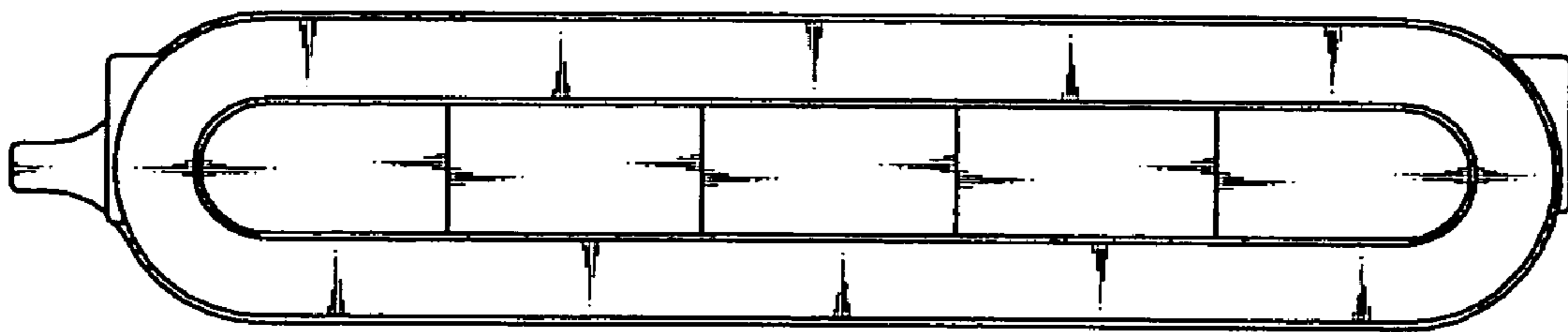
*FIG. 4*



*FIG. 5*



*FIG. 6*



*FIG. 7*

