



US00D550705S

(12) **United States Design Patent**
Ichimura

(10) **Patent No.:** **US D550,705 S**

(45) **Date of Patent:** **** Sep. 11, 2007**

(54) **MP3 PLAYER**

(75) Inventor: **Shigenori Ichimura**, Tokyo (JP)

(73) Assignee: **Samsung Electronics Co., Ltd.**,
Suwon-Si (KR)

(**) Term: **14 Years**

(21) Appl. No.: **29/264,110**

(22) Filed: **Aug. 4, 2006**

(30) **Foreign Application Priority Data**

Feb. 10, 2006 (KR) 30-2006-0005024

(51) **LOC (8) Cl.** **14-03**

(52) **U.S. Cl.** **D14/496**

(58) **Field of Classification Search** D14/496,
D14/401, 435, 474, 483, 217, 137, 138, 160,
D14/168; 345/156, 169, 173-179, 905; 715/727-729,
715/864; 455/11.1, 773, 344-347, 93, 95;
370/342-344; 369/1, 2, 6, 12; 463/43-47;
273/148 B

See application file for complete search history.

(56) **References Cited**

U.S. PATENT DOCUMENTS

6,769,603 B2 * 8/2004 Nagai et al. 235/375
D513,266 S * 12/2005 Shimizu D14/496
6,999,805 B2 * 2/2006 Gartrell et al. 455/575.8

7,046,230 B2 * 5/2006 Zadesky et al. 345/156
D526,663 S * 8/2006 Bang D14/496
D533,187 S * 12/2006 Lee D14/496
D535,664 S * 1/2007 Katayama D14/496
D538,297 S * 3/2007 Ching D14/496
D538,820 S * 3/2007 Andre et al. D14/496

* cited by examiner

Primary Examiner—Prabhakar Deshmukh

(74) *Attorney, Agent, or Firm*—Staas & Halsey LLP

(57) **CLAIM**

The ornamental design for an MP3 player, as shown and described.

DESCRIPTION

FIG. 1 is a perspective view of an MP3 player according to my new design with its universal serial bus (USB) plug in a closed position;

FIG. 2 is a front elevational view thereof;

FIG. 3 is a rear elevational view thereof;

FIG. 4 is a left side elevational view thereof;

FIG. 5 is a right side elevational view thereof;

FIG. 6 is a top plan view thereof;

FIG. 7 is a bottom plan view thereof; and,

FIG. 8 is a perspective view of the MP3 player according to my new design showing that the USB plug can be extracted.

1 Claim, 5 Drawing Sheets

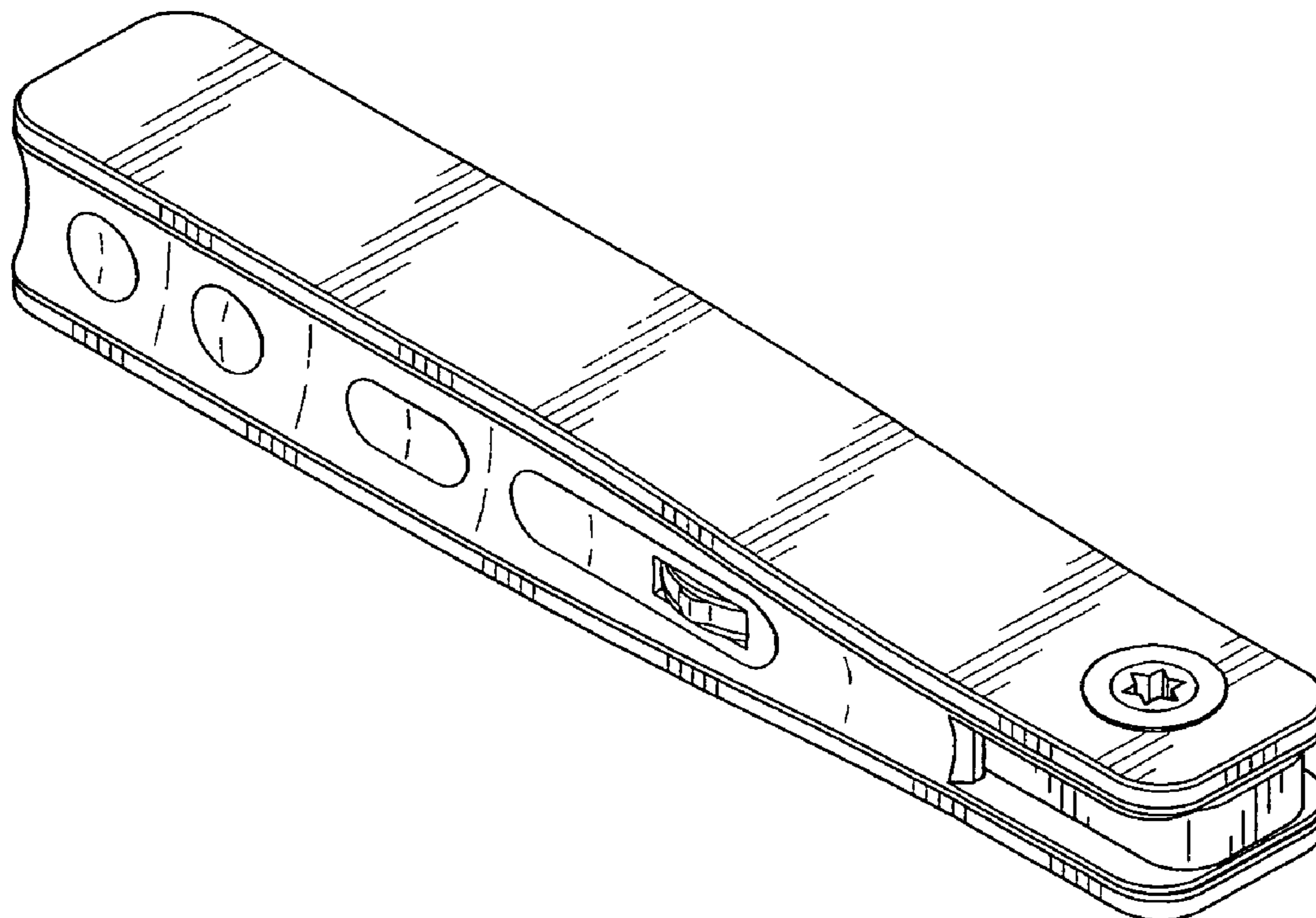


FIG.1

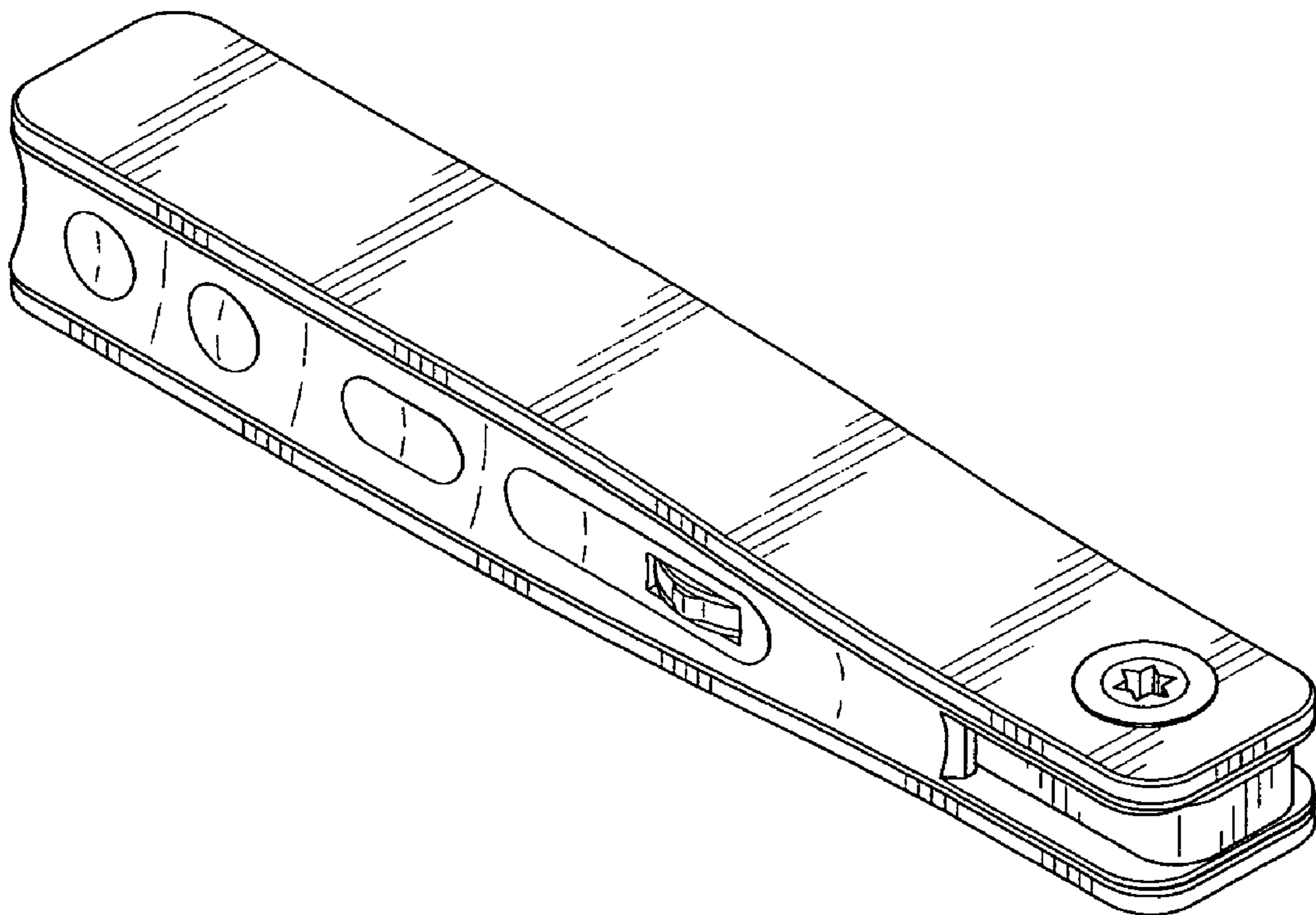


FIG.2

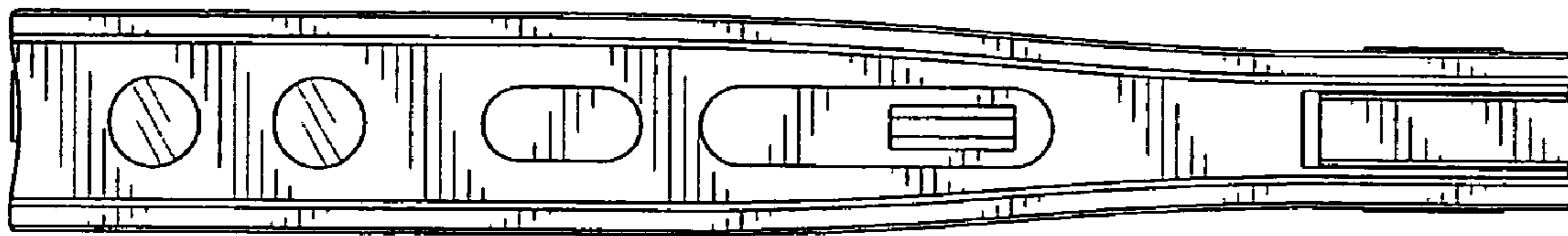


FIG.3

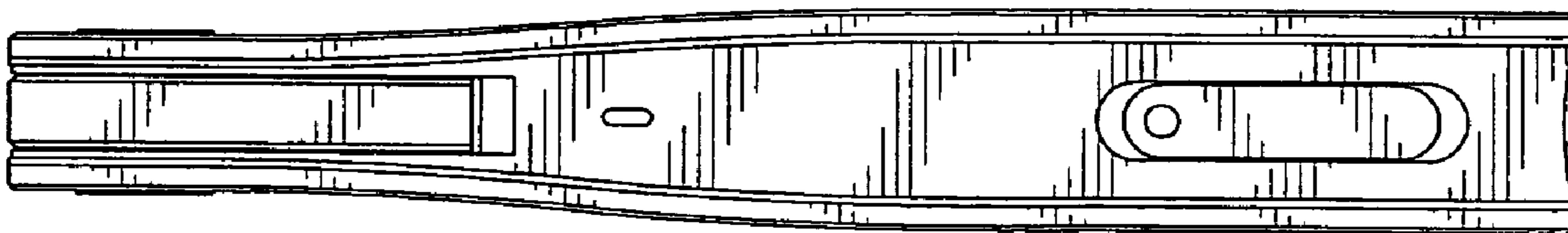


FIG.4

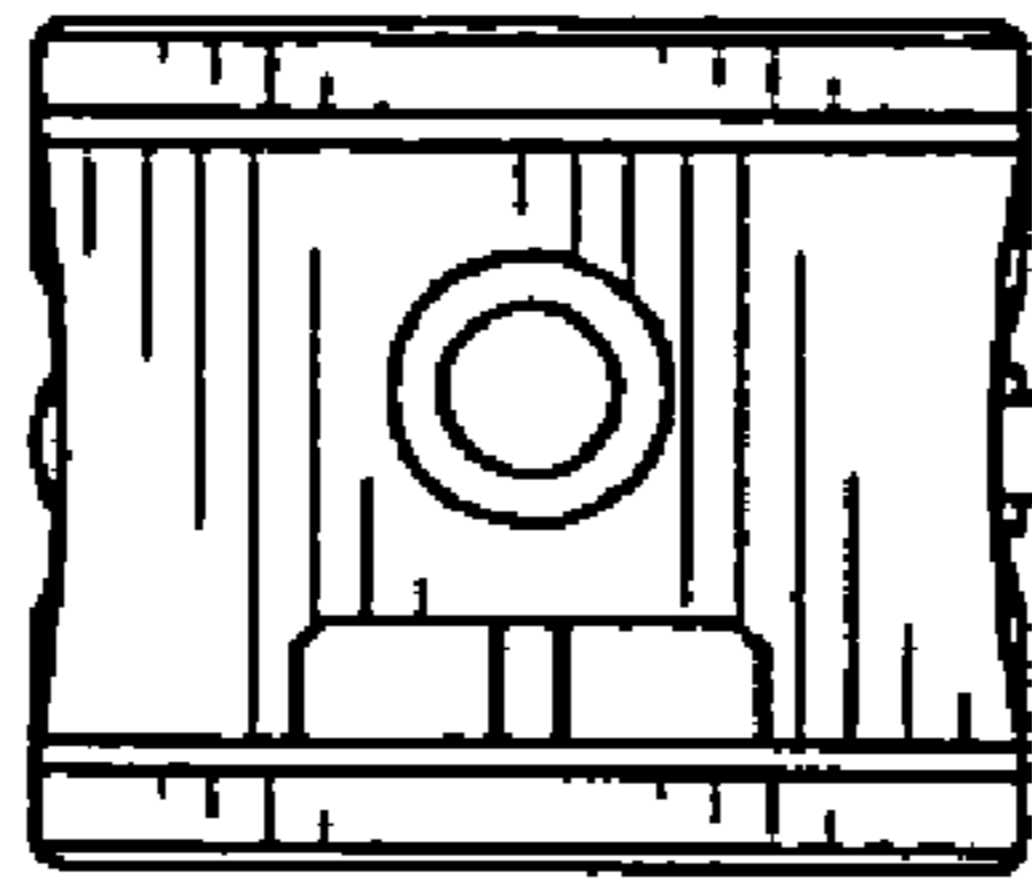


FIG.5

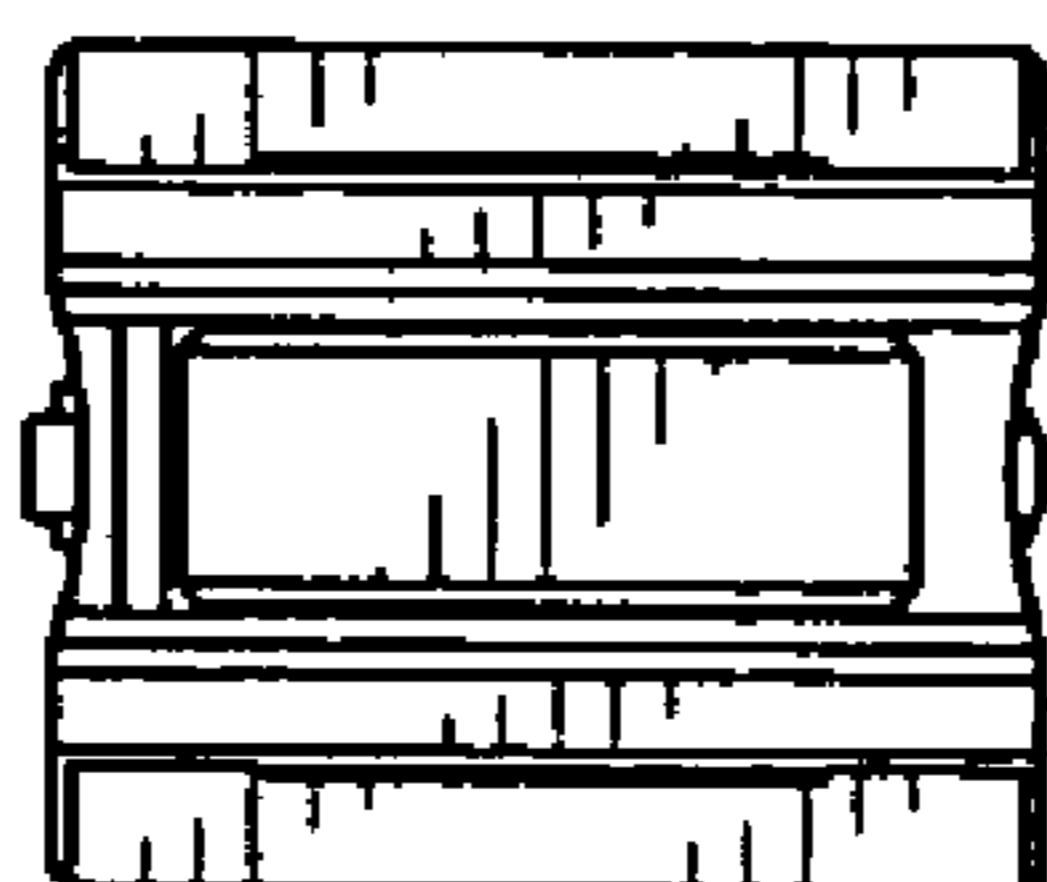


FIG.6

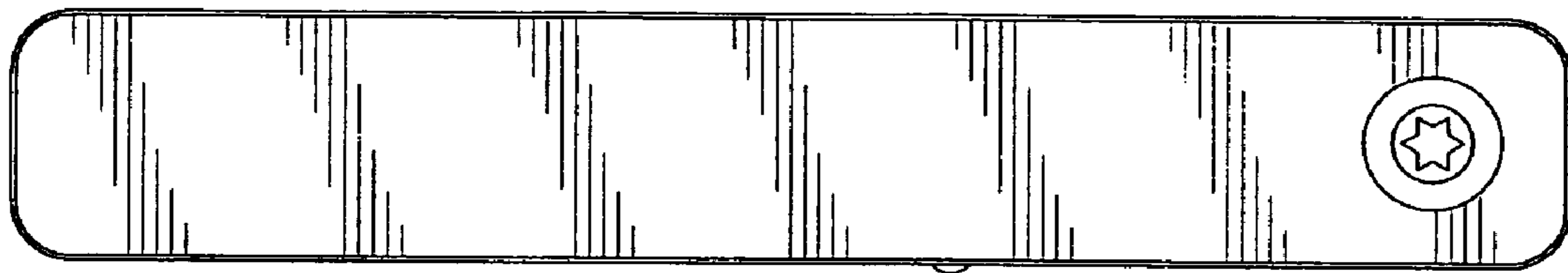


FIG.7

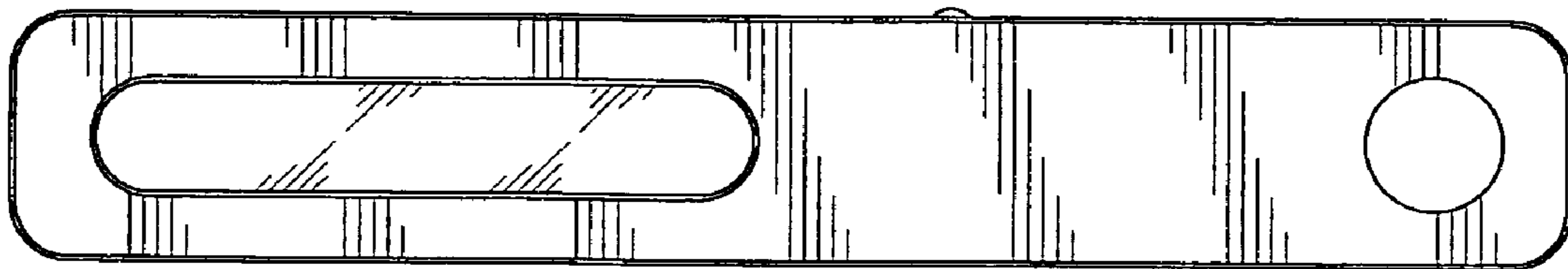


FIG.8

