



US00D550704S

(12) **United States Design Patent**  
**Ichinose**

(10) **Patent No.:** **US D550,704 S**

(45) **Date of Patent:** **\*\* Sep. 11, 2007**

(54) **MP3 PLAYER**

(75) **Inventor:** **Tomoyoshi Ichinose, Tokyo (JP)**

(73) **Assignee:** **Samsung Electronics Co., Ltd., Suwon-Si (KR)**

(\*\*) **Term:** **14 Years**

(21) **Appl. No.:** **29/264,108**

(22) **Filed:** **Aug. 4, 2006**

(30) **Foreign Application Priority Data**

Feb. 10, 2006 (KR) ..... 30-2006-0005030

(51) **LOC (8) Cl.** ..... **14-03**

(52) **U.S. Cl.** ..... **D14/496**

(58) **Field of Classification Search** ..... D14/496,  
D14/401, 435, 474, 483, 217, 137, 138, 160,  
D14/168; 345/156, 169, 173-179, 905; 715/727-729,  
715/864; 455/11.1, 7, 73, 344-347, 93, 95;  
370/342-344; 369/1, 2, 6, 12; 463/43-47;  
273/148 B

See application file for complete search history.

(56) **References Cited**

**U.S. PATENT DOCUMENTS**

6,122,526 A \* 9/2000 Parulski et al. .... 455/556.1  
D438,526 S \* 3/2001 Katayama ..... D14/156  
6,227,966 B1 \* 5/2001 Yokoi ..... 463/1  
6,314,483 B1 \* 11/2001 Goto et al. .... 710/107

6,529,714 B1 \* 3/2003 Nakamura et al. .... 455/575.1  
D481,702 S \* 11/2003 Takagi ..... D14/156  
D491,550 S \* 6/2004 Hirano ..... D14/156  
D513,266 S \* 12/2005 Shimizu ..... D14/496  
D518,065 S \* 3/2006 Kobayashi ..... D14/496

\* cited by examiner

*Primary Examiner*—Prabhakar Deshmukh

(74) *Attorney, Agent, or Firm*—Staas & Halsey LLP

(57) **CLAIM**

The ornamental design for an MP3 player, as shown and described.

**DESCRIPTION**

FIG. 1 is a perspective view of an MP3 player according to my new design with its universal serial bus (USB) device in a plugged-in position;

FIG. 2 is a front elevational view thereof;

FIG. 3 is a rear elevational view thereof;

FIG. 4 is a left side elevational view thereof;

FIG. 5 is a right side elevational view thereof;

FIG. 6 is a top plan view thereof;

FIG. 7 is a bottom plan view thereof; and,

FIG. 8 is an exploded perspective view shown in an alternate position and the USB device shown detached from the MP3 player.

**1 Claim, 7 Drawing Sheets**

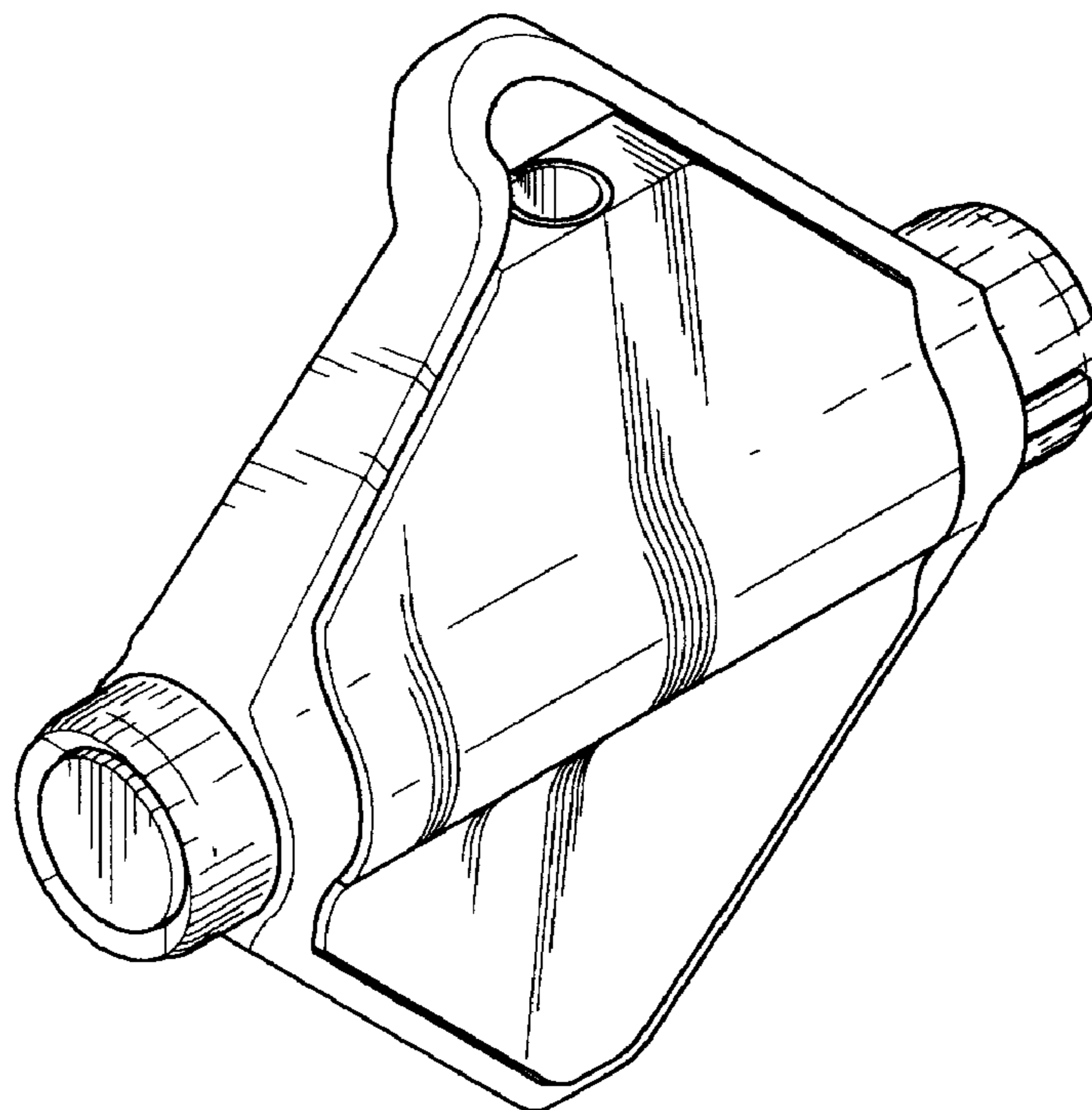


FIG. 1

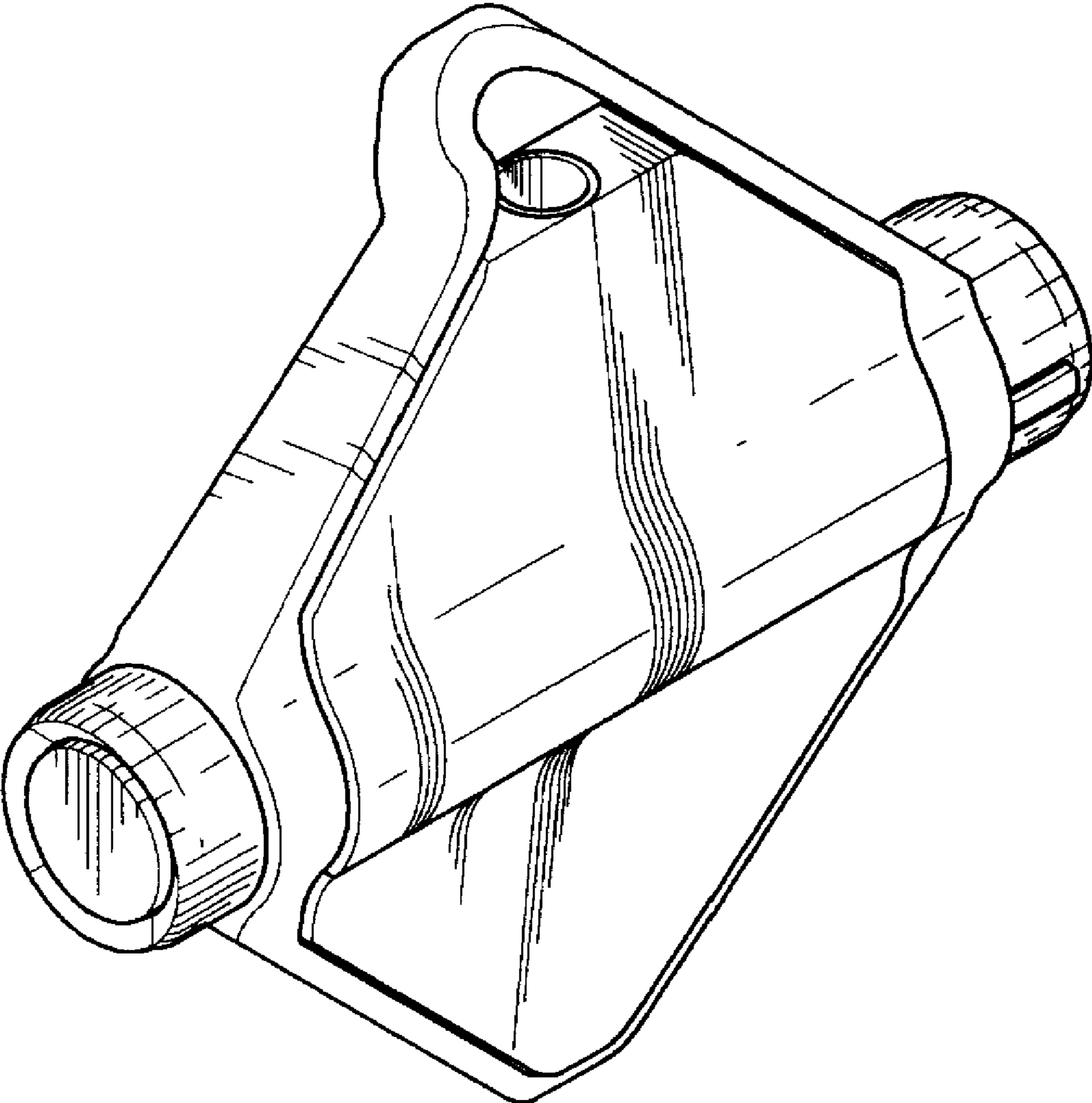


FIG.2

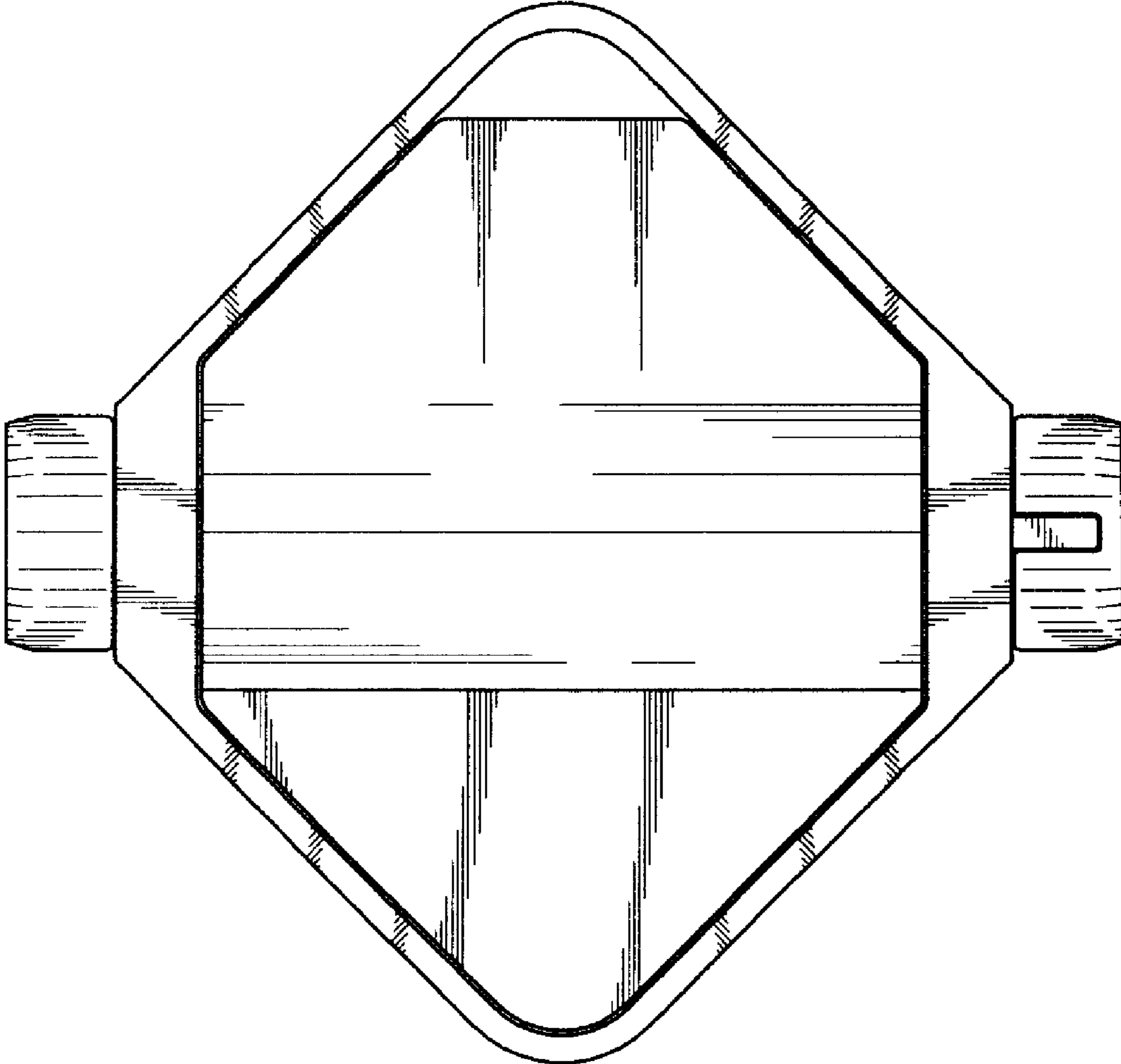


FIG.3

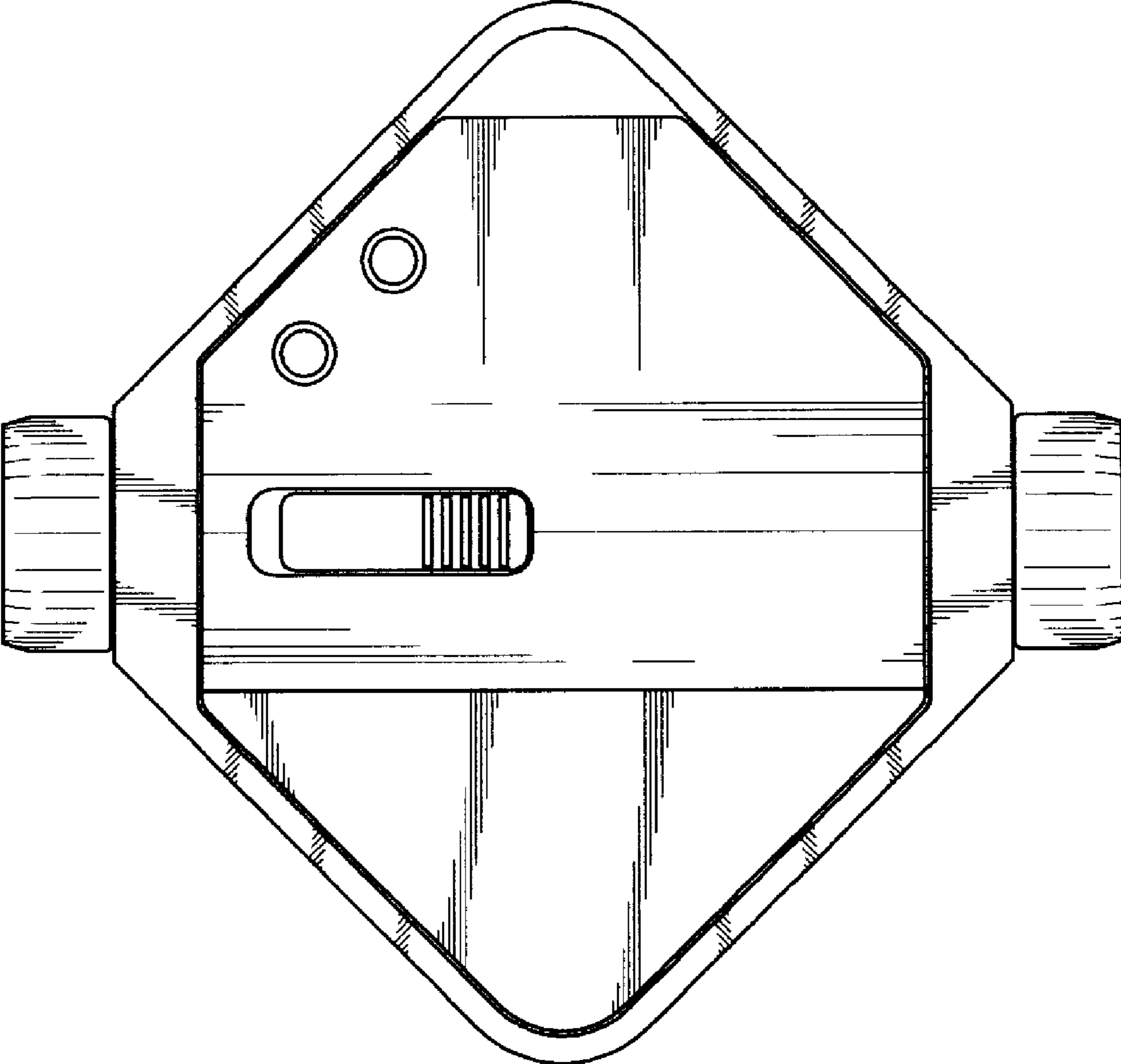


FIG.4

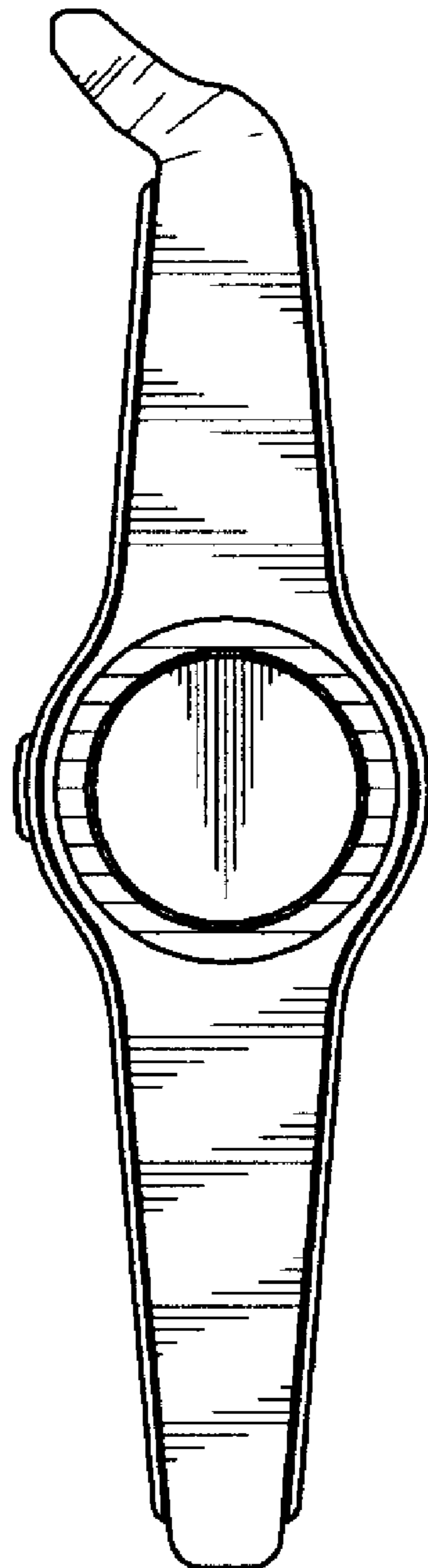


FIG.5

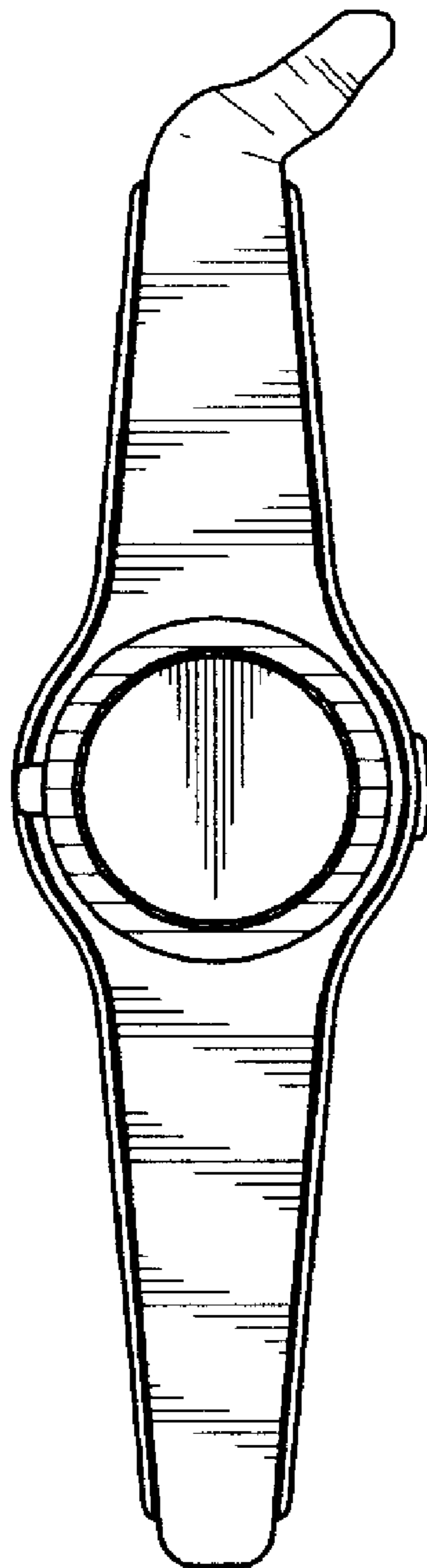


FIG.6

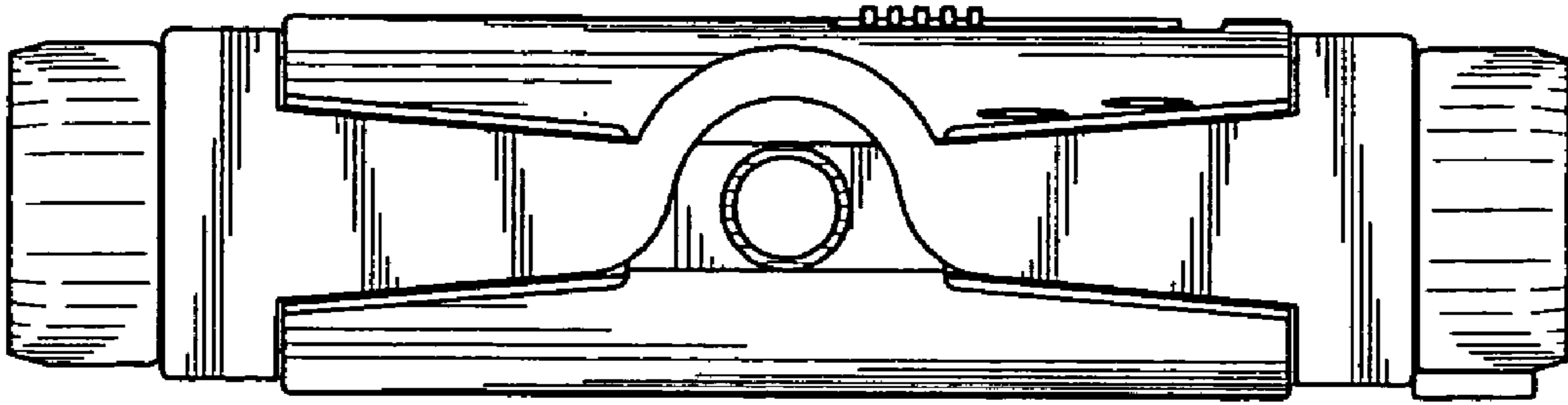
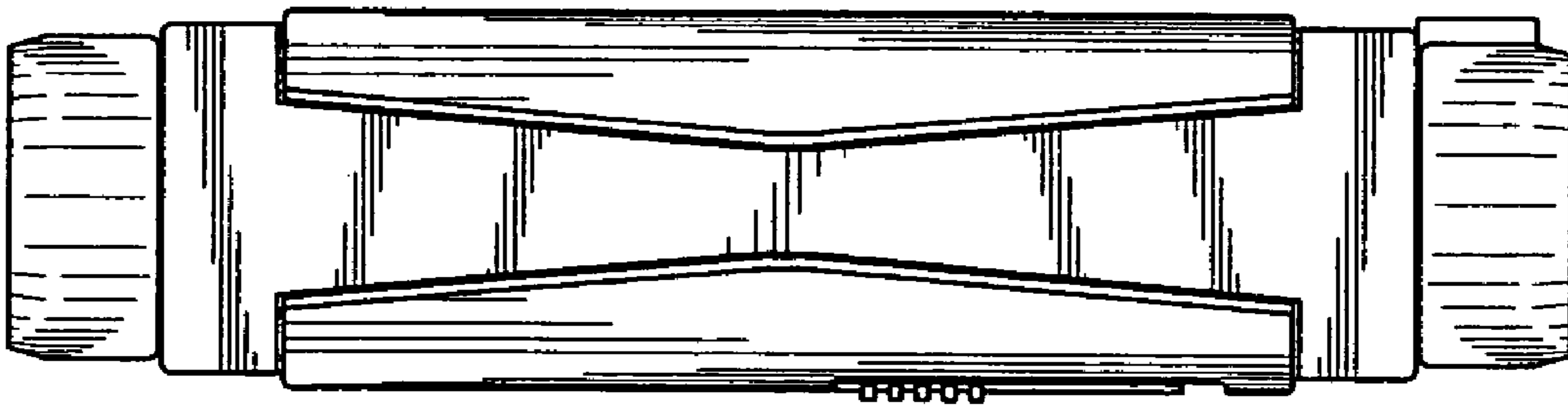


FIG.7



**FIG. 8**

