

US00D550680S

(12) **United States Design Patent**
Ogawa et al.

(10) **Patent No.:** **US D550,680 S**

(45) **Date of Patent:** **** Sep. 11, 2007**

(54) **FACSIMILE MACHINE**

(75) Inventors: **Mitsuko Ogawa**, Nagoya (JP);
Yukihiko Sato, Nagoya (JP)

(73) Assignee: **Brother Industries, Ltd.**, Nagoya (JP)

(**) Term: **14 Years**

(21) Appl. No.: **29/261,313**

(22) Filed: **Jun. 13, 2006**

(30) **Foreign Application Priority Data**

Dec. 13, 2005 (JP) 2005-036723

(51) **LOC (8) Cl.** **16-03**

(52) **U.S. Cl.** **D14/462**

(58) **Field of Classification Search** D14/462-471;
D18/36-41; 358/400-404

See application file for complete search history.

(56) **References Cited**

U.S. PATENT DOCUMENTS

D442,989 S *	5/2001	Leong et al.	D14/469
D471,202 S *	3/2003	Shimamura	D14/469
D502,183 S *	2/2005	Gant et al.	D14/468
D508,056 S *	8/2005	Ishigami et al.	D14/468
D510,360 S *	10/2005	Ishigami et al.	D14/468

* cited by examiner

Primary Examiner—Stella Reid
Assistant Examiner—Keli L. Acker

(74) *Attorney, Agent, or Firm*—Oliff & Berridge, PLC

(57) **CLAIM**

The ornamental design for a facsimile machine, as shown and described.

DESCRIPTION

FIG. 1 is a perspective view of a facsimile machine;

FIG. 2 is a front view thereof;

FIG. 3 is a top view thereof;

FIG. 4 is a right-side view thereof;

FIG. 5 is a left-side view thereof;

FIG. 6 is a rear side view thereof;

FIG. 7 is a bottom view thereof;

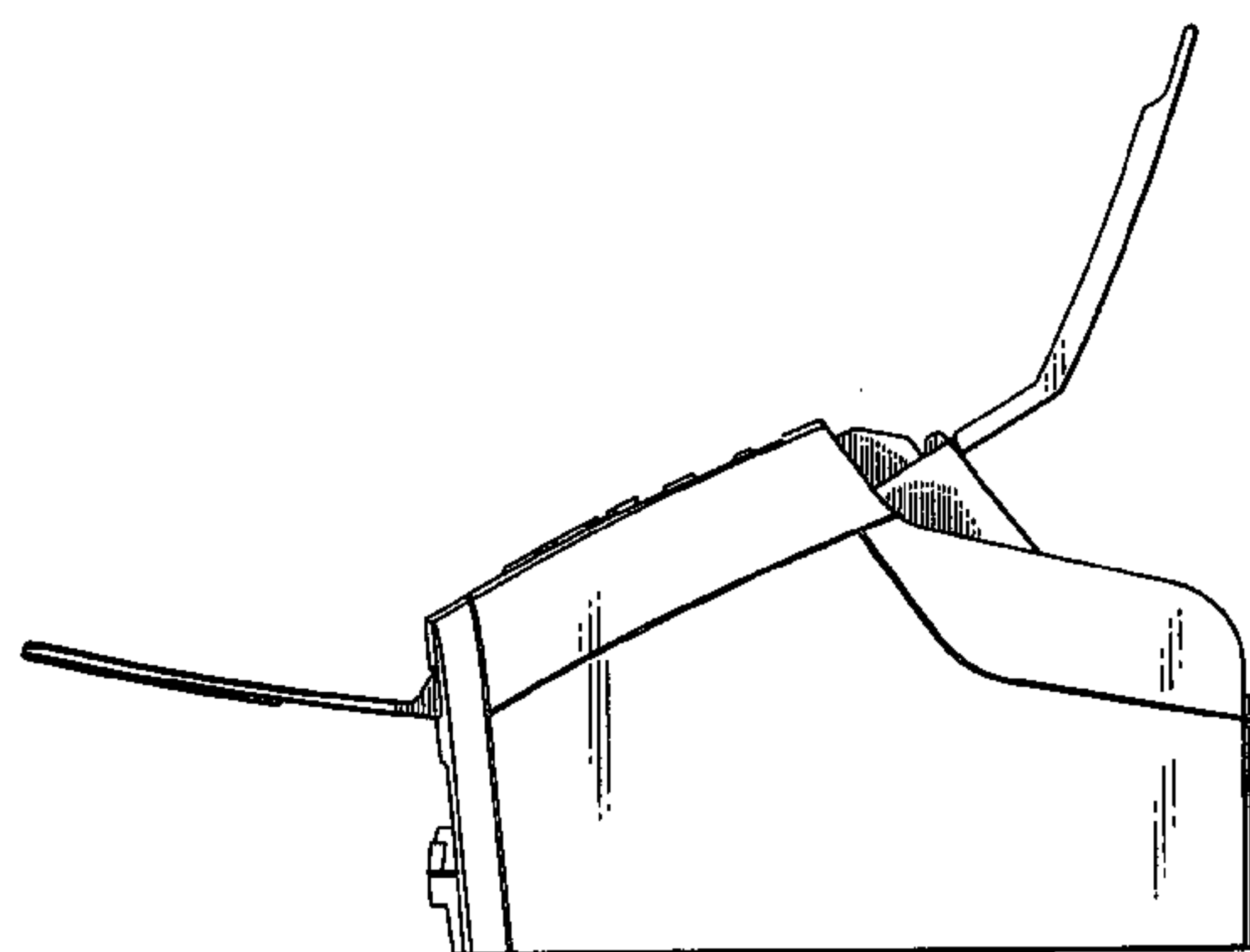
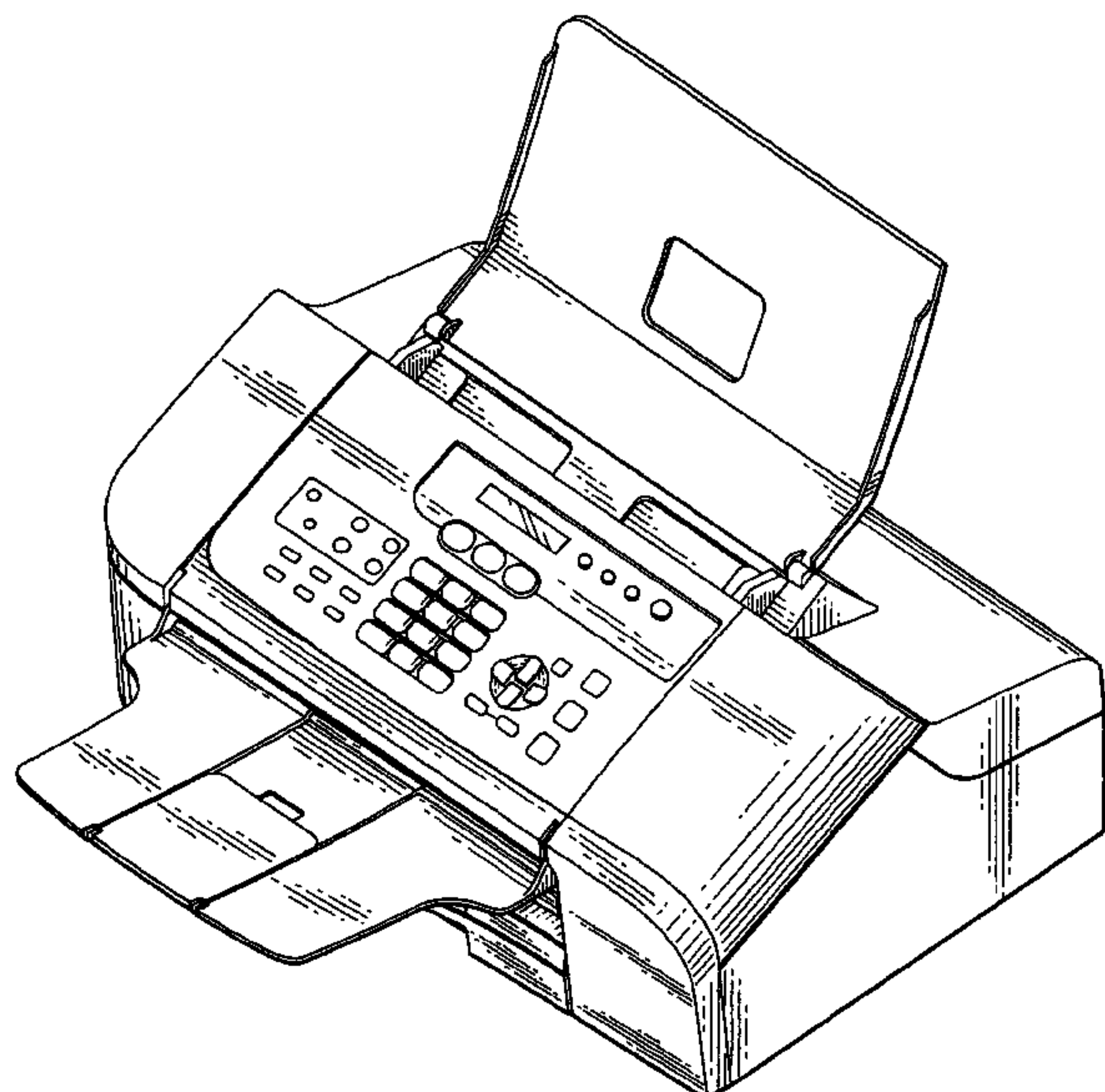
FIG. 8 is a perspective view thereof with the paper discharge tray in a closed position;

FIG. 9 is a perspective view thereof with the paper discharge tray and the document setting tray in a closed position; and,

FIG. 10 is a perspective view thereof with the paper discharge tray and the document setting tray removed.

The broken line showing of the facsimile machine is included for the purpose of illustrating portions of the facsimile machine and forms no part of the claimed design.

1 Claim, 9 Drawing Sheets



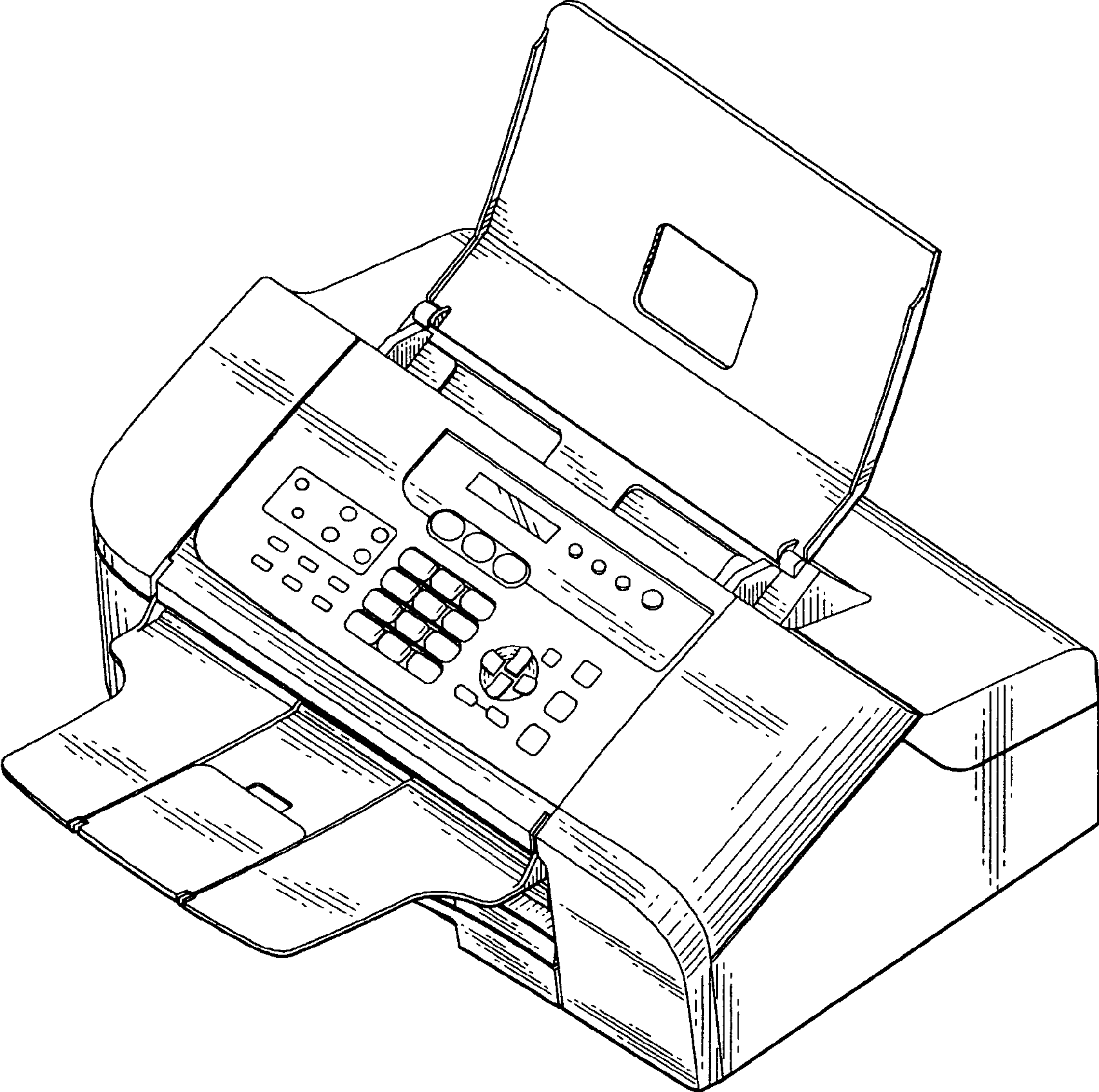


FIG. 1

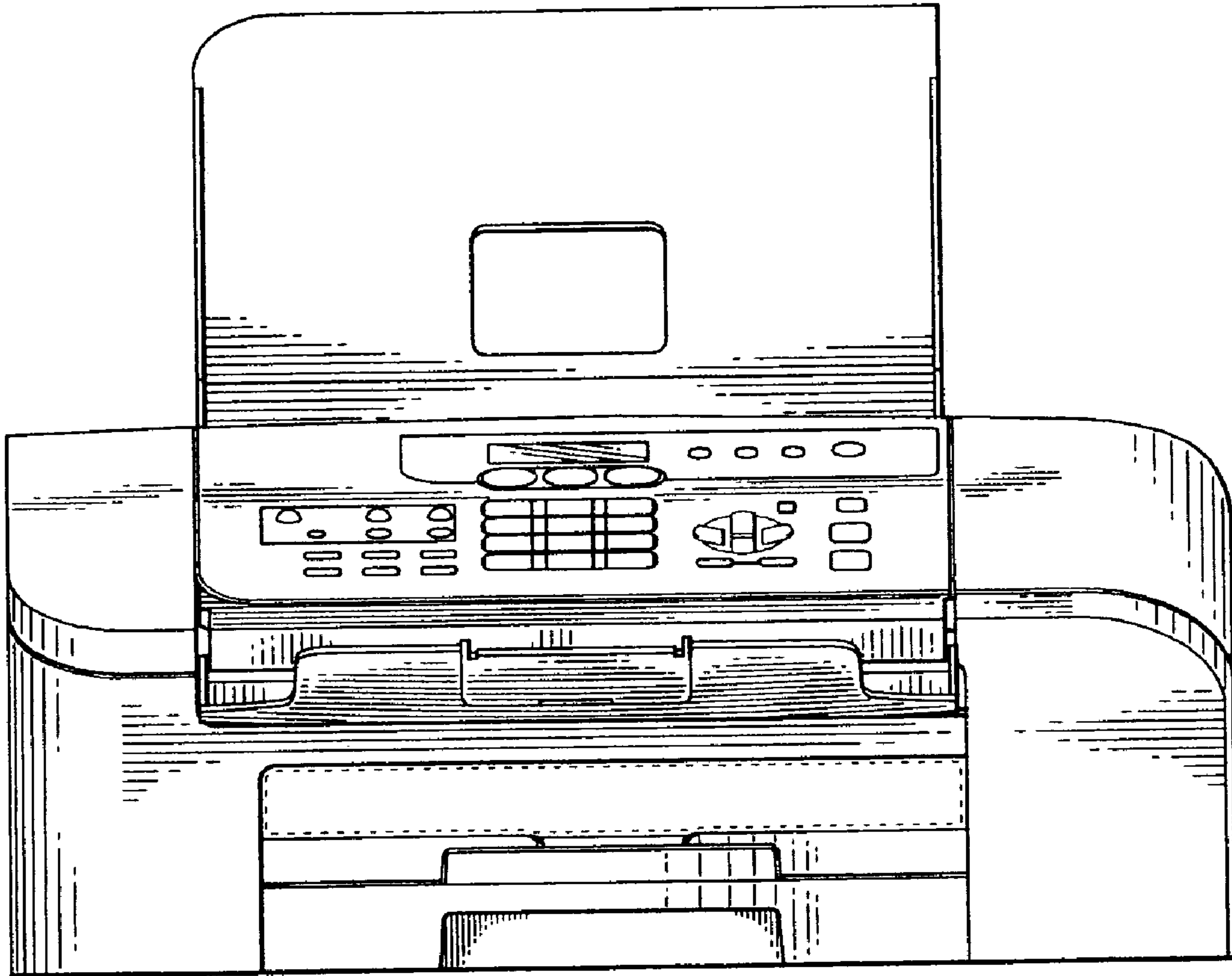


FIG. 2

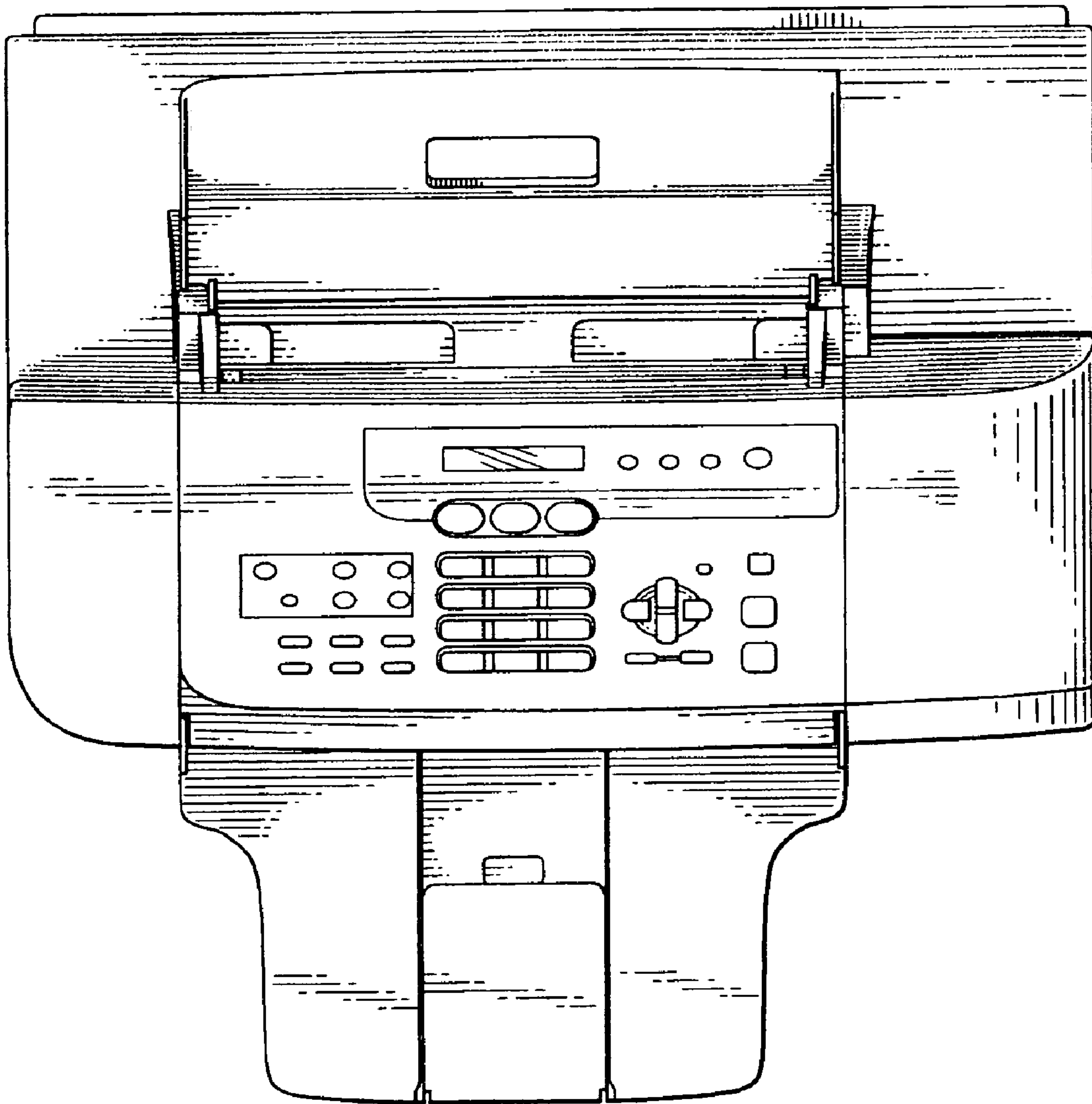


FIG. 3

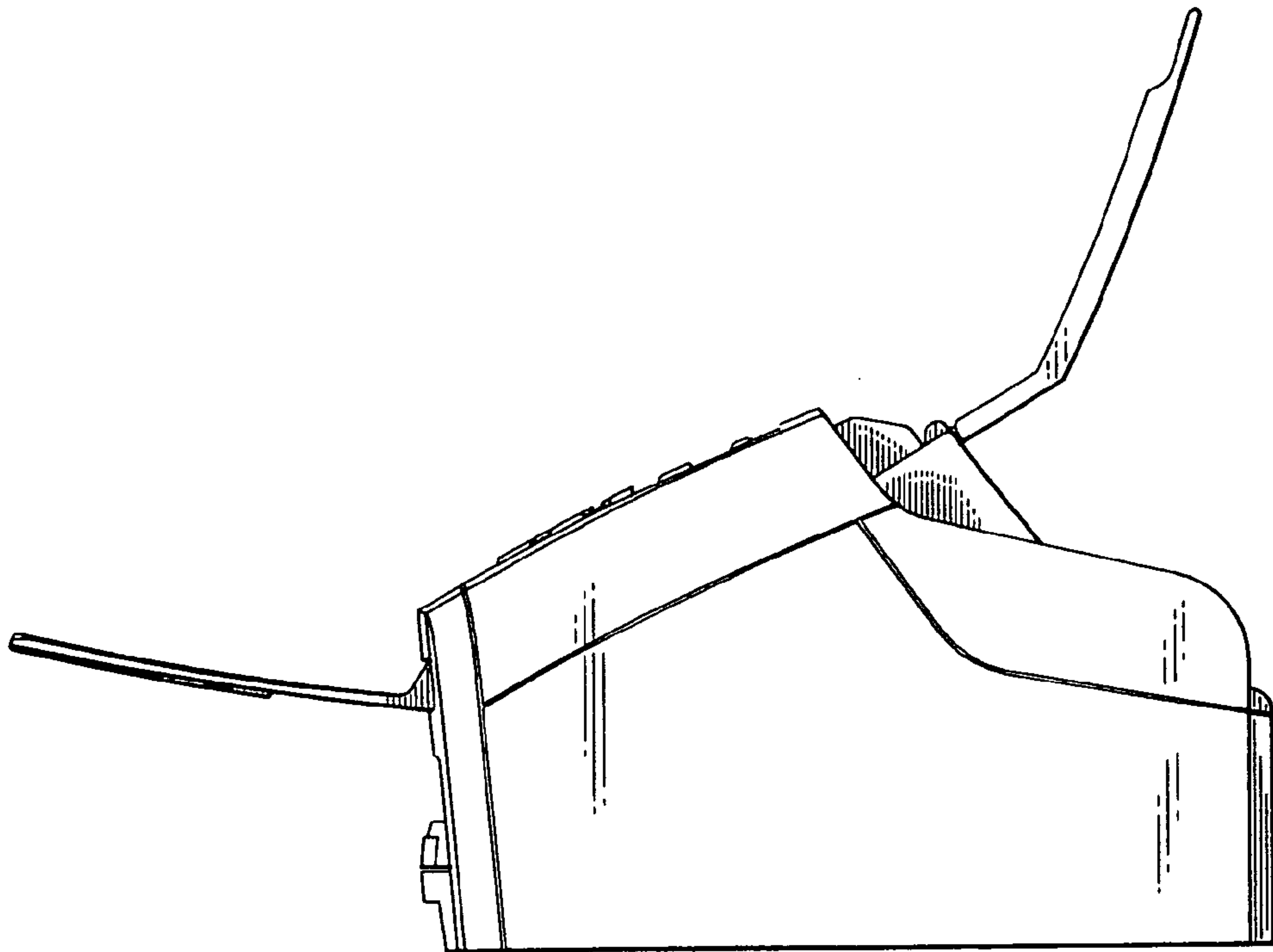


FIG. 4

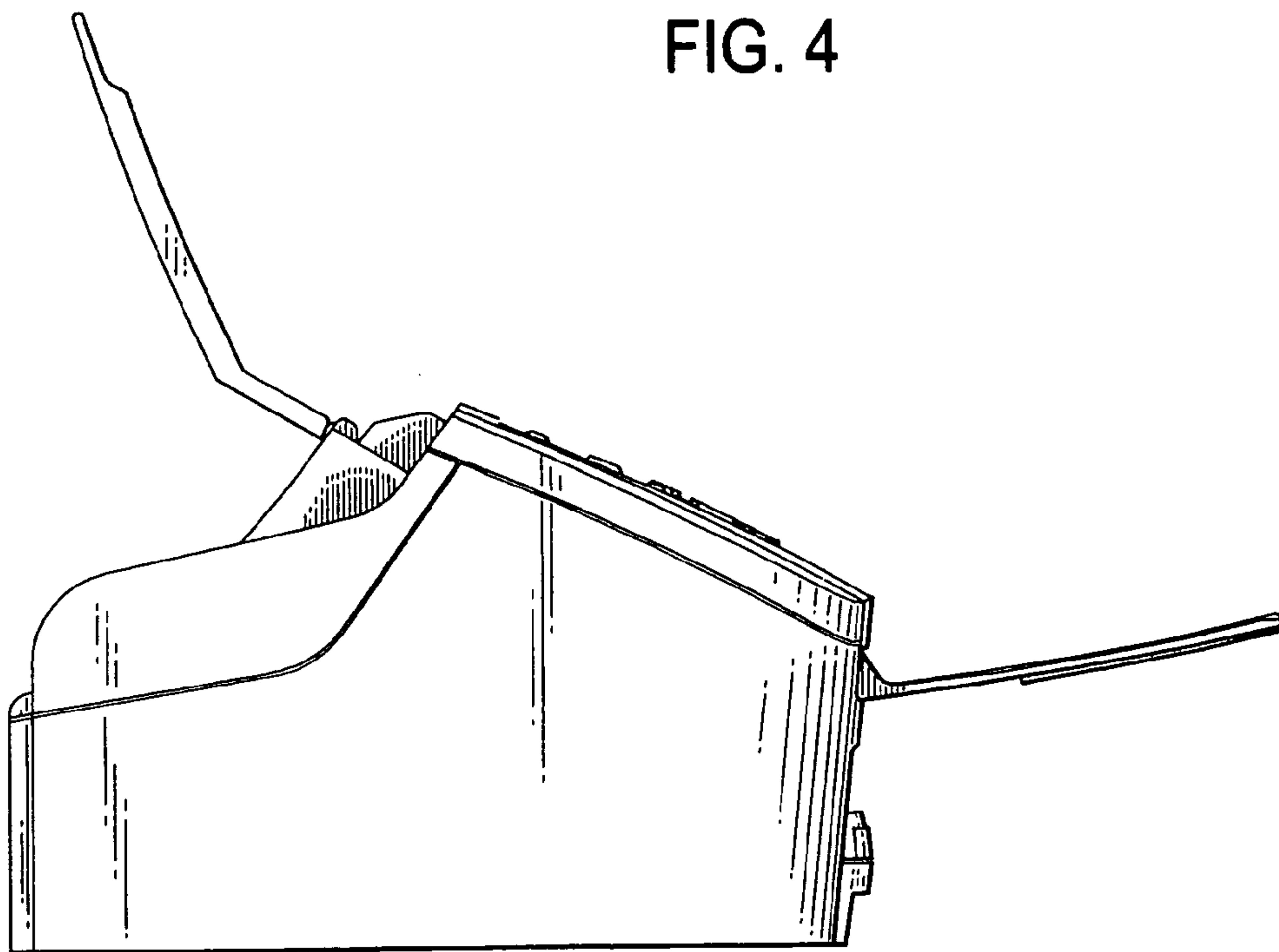


FIG. 5

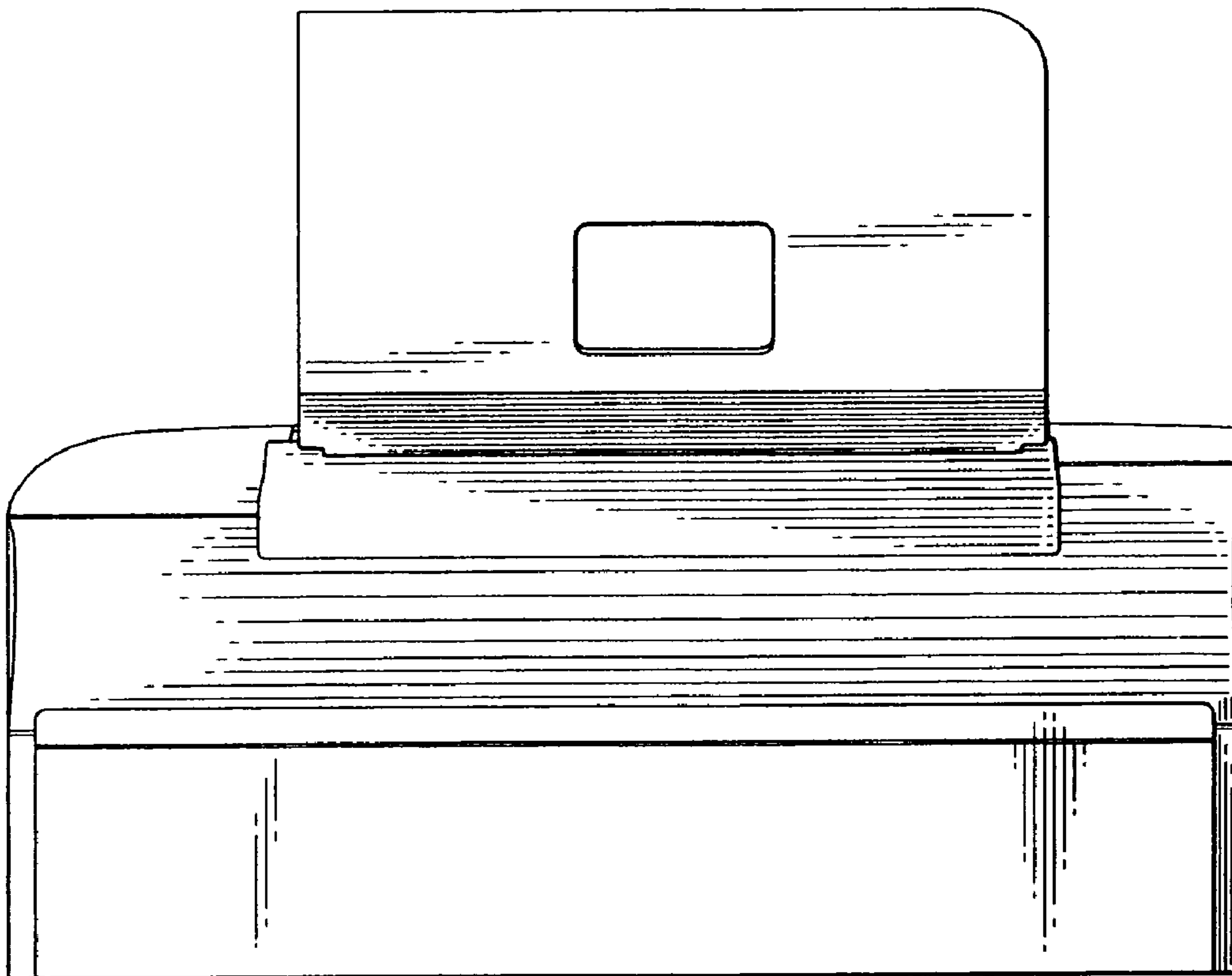


FIG. 6

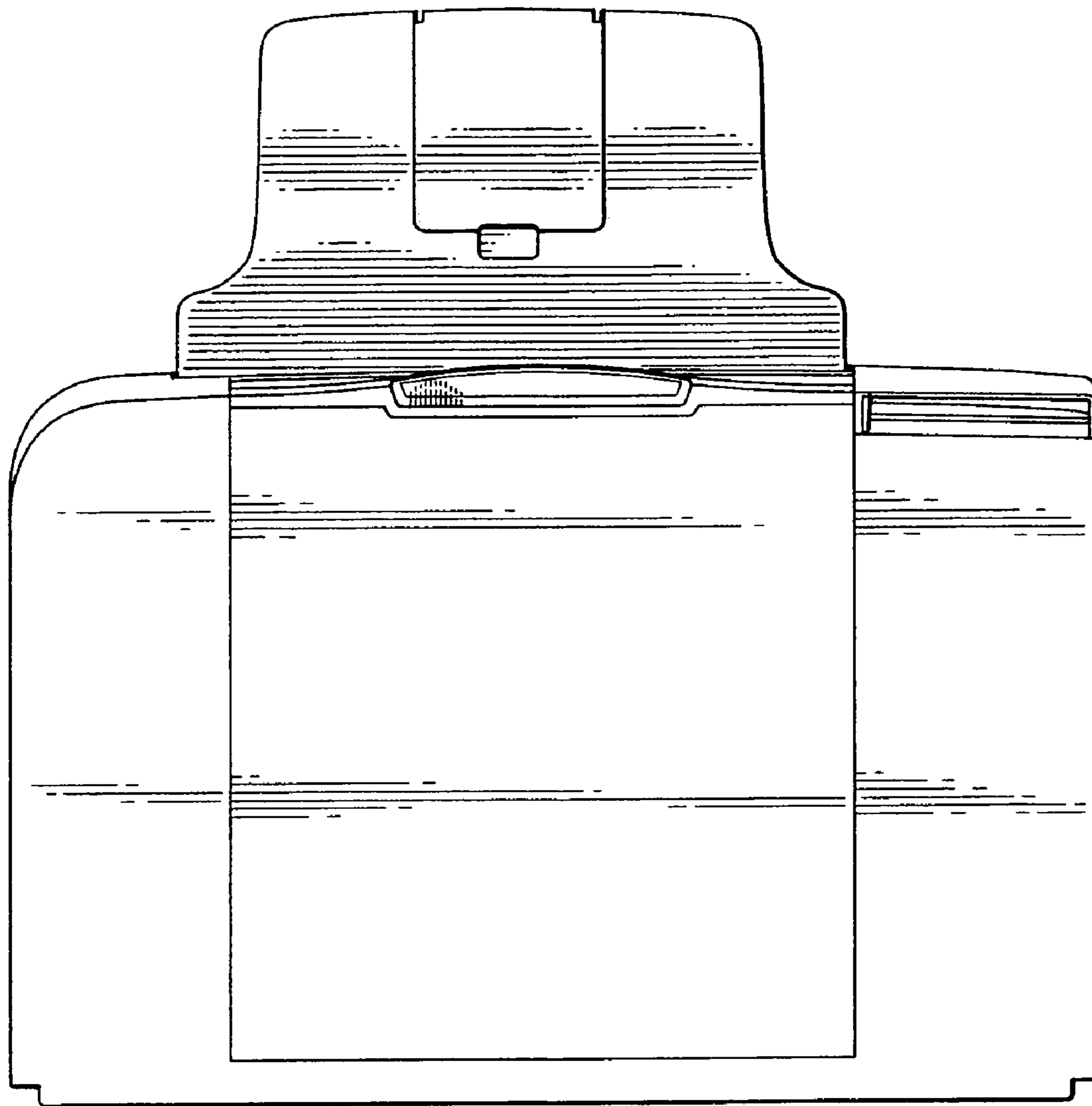


FIG. 7

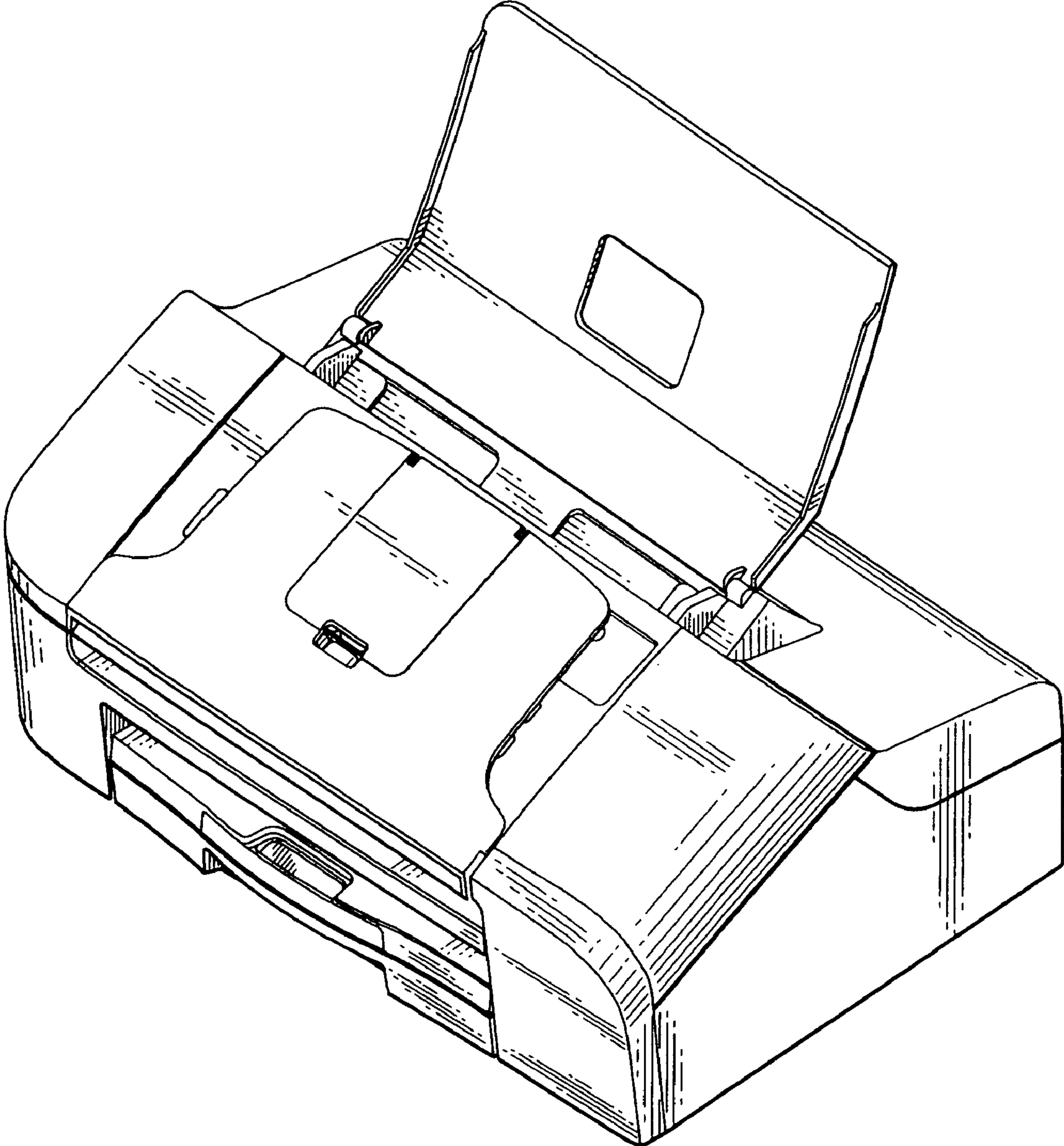


FIG. 8

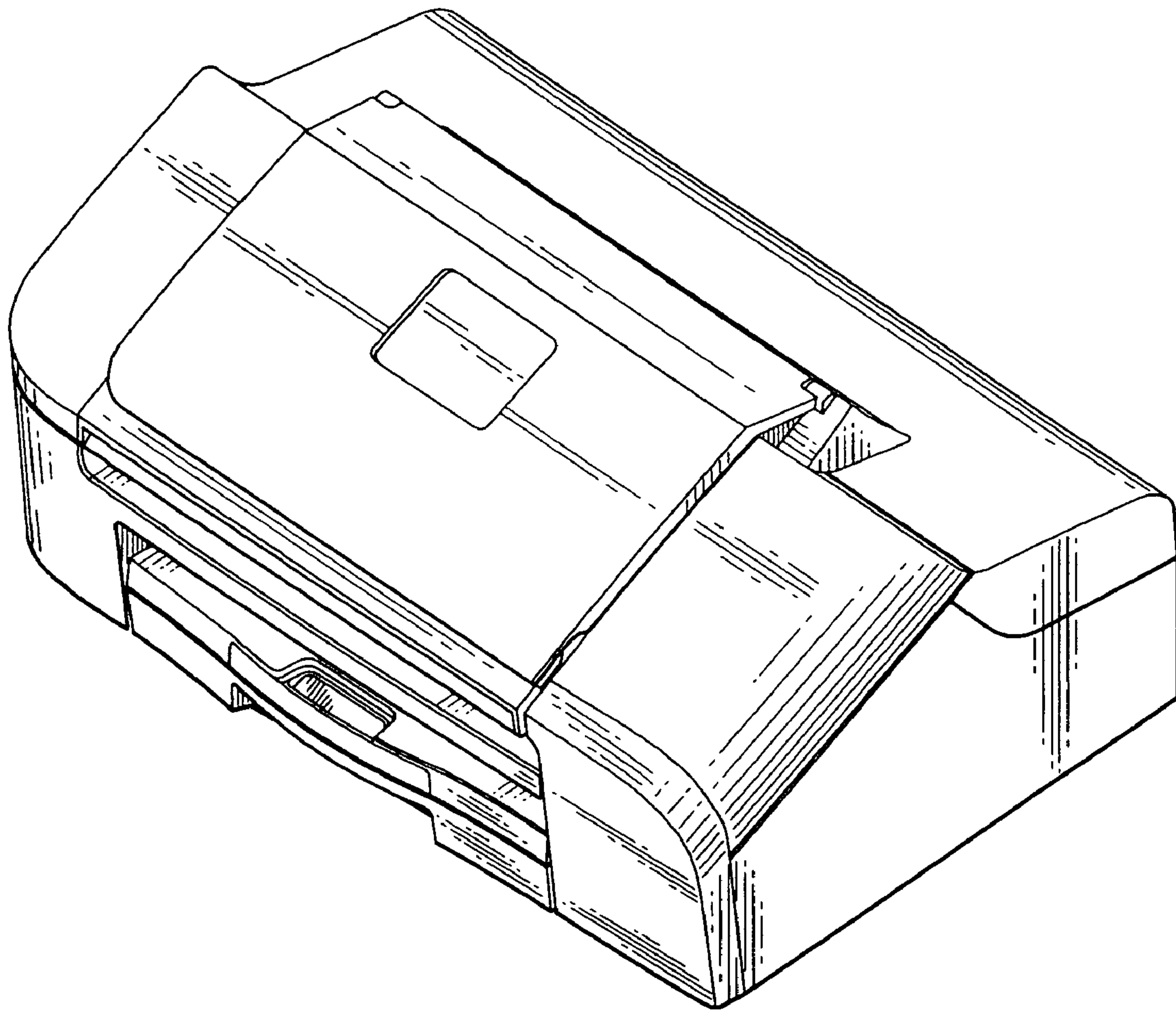


FIG. 9

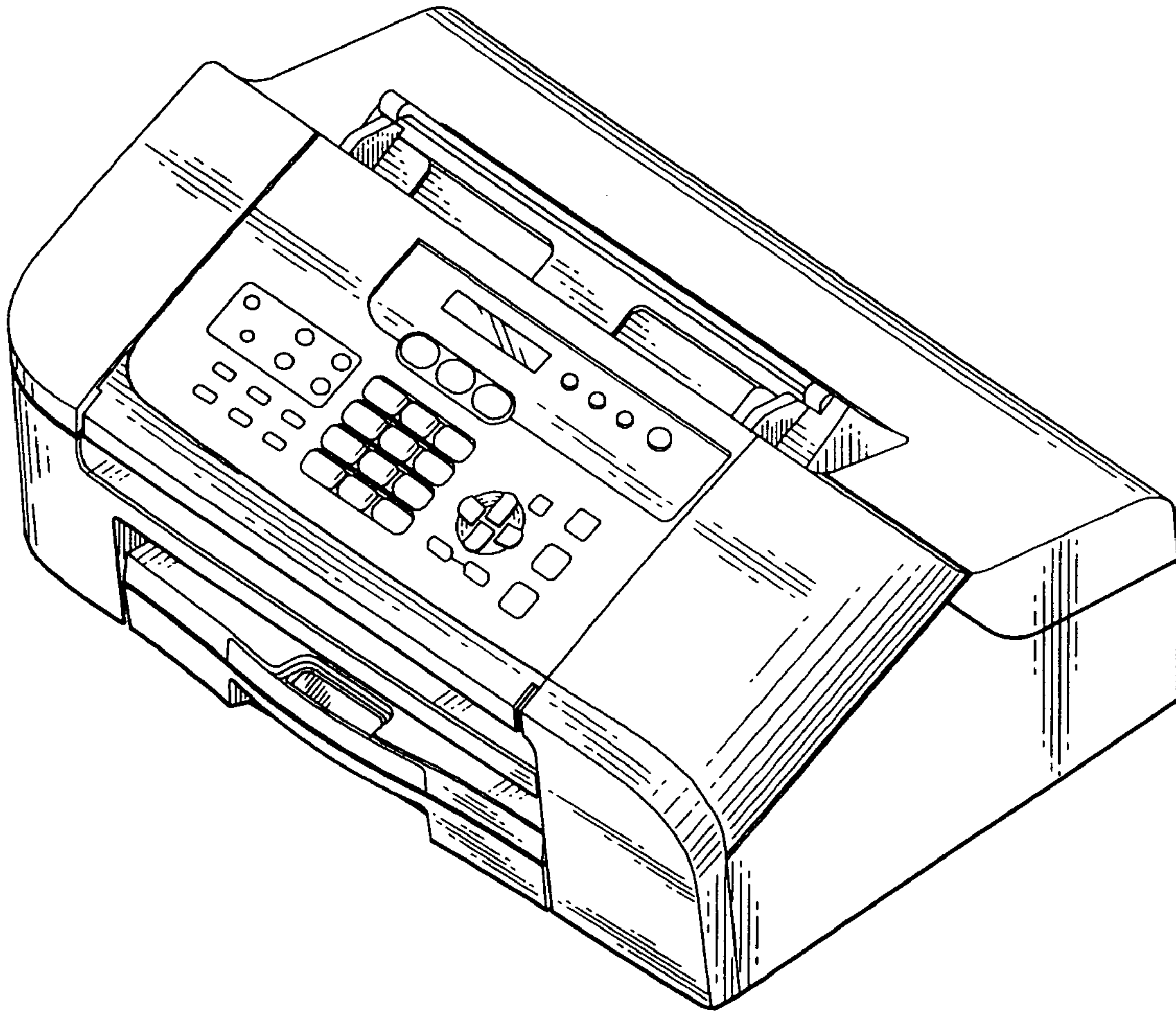


FIG. 10