



US00D550679S

(12) **United States Design Patent**
Griffin et al.

(10) **Patent No.:** **US D550,679 S**

(45) **Date of Patent:** **** Sep. 11, 2007**

(54) **KEYPAD**

(75) Inventors: **Jason T Griffin**, Kitchener (CA);
Norman Ladouceur, Waterloo (CA);
Joseph Hofer, Kitchener (CA)

(73) Assignee: **Research In Motion Limited**,
Waterloo, Ontario (CA)

(**) Term: **14 Years**

(21) Appl. No.: **29/256,654**

(22) Filed: **Mar. 23, 2006**

(51) **LOC (8) Cl.** **14-02**

(52) **U.S. Cl.** **D14/455**

(58) **Field of Classification Search** D14/137,
D14/138, 144, 147, 148, 218, 247, 248, 329,
D14/331, 333, 338-9, 341-7, 387, 390-2,
D14/396-399, 432, 454, 455, 456; D18/1,
D18/2, 6, 7, 12.2, 25, 52; D21/329; 235/145 R;
341/22, 27, 28; 345/168, 169, 170, 171,
345/172, 947, 948; 379/368, 915, 433.07;
400/109, 110, 111, 472, 484, 485, 486, 488,
400/489, 490, 491, 492; 455/550.1, 556.2,
455/186.2

See application file for complete search history.

(56) **References Cited**

U.S. PATENT DOCUMENTS

5,515,763	A *	5/1996	Vandervoort	84/433
5,560,724	A *	10/1996	Iwasa et al.	400/488
5,767,463	A *	6/1998	Gandre	200/5 A
D502,180	S *	2/2005	Gambaro	D14/391
7,087,850	B1 *	8/2006	Murzanski	200/302.1
7,138,587	B2 *	11/2006	Nishino et al.	200/5 A
7,164,088	B1 *	1/2007	Yurochko et al.	200/5 A
D537,082	S *	2/2007	Griffin	D14/455
7,182,533	B1 *	2/2007	Caplan	400/489

2002/0168209	A1 *	11/2002	Lee	400/488
2003/0190182	A1 *	10/2003	Huang	400/490
2004/0190969	A1 *	9/2004	Huang	400/490
2006/0062626	A1 *	3/2006	Hamilton et al.	400/490

* cited by examiner

Primary Examiner—Cathron C. Brooks

Assistant Examiner—Angela Lee

(74) *Attorney, Agent, or Firm*—Brij K. Agarwal; Eckert
Seamans Cherin & Mellott, LLC

(57) **CLAIM**

The ornamental design for a keypad, as shown and described.

DESCRIPTION

FIG. 1 is a front elevational view of a keypad depicting our new design;

FIG. 2 is a bottom plan view thereof;

FIG. 3 is an enlarged view of a portion of FIG. 2 as identified by the broken line encircling of the portion in FIG. 2;

FIG. 4 is a perspective view of the keypad of FIG. 1;

FIG. 5 is an enlarged view of a portion of FIG. 4 as identified by the broken line encircling of the portion in FIG. 4;

FIG. 6 is an enlarged view of a portion of FIG. 4 as identified by the broken line encircling of the portion in FIG. 4;

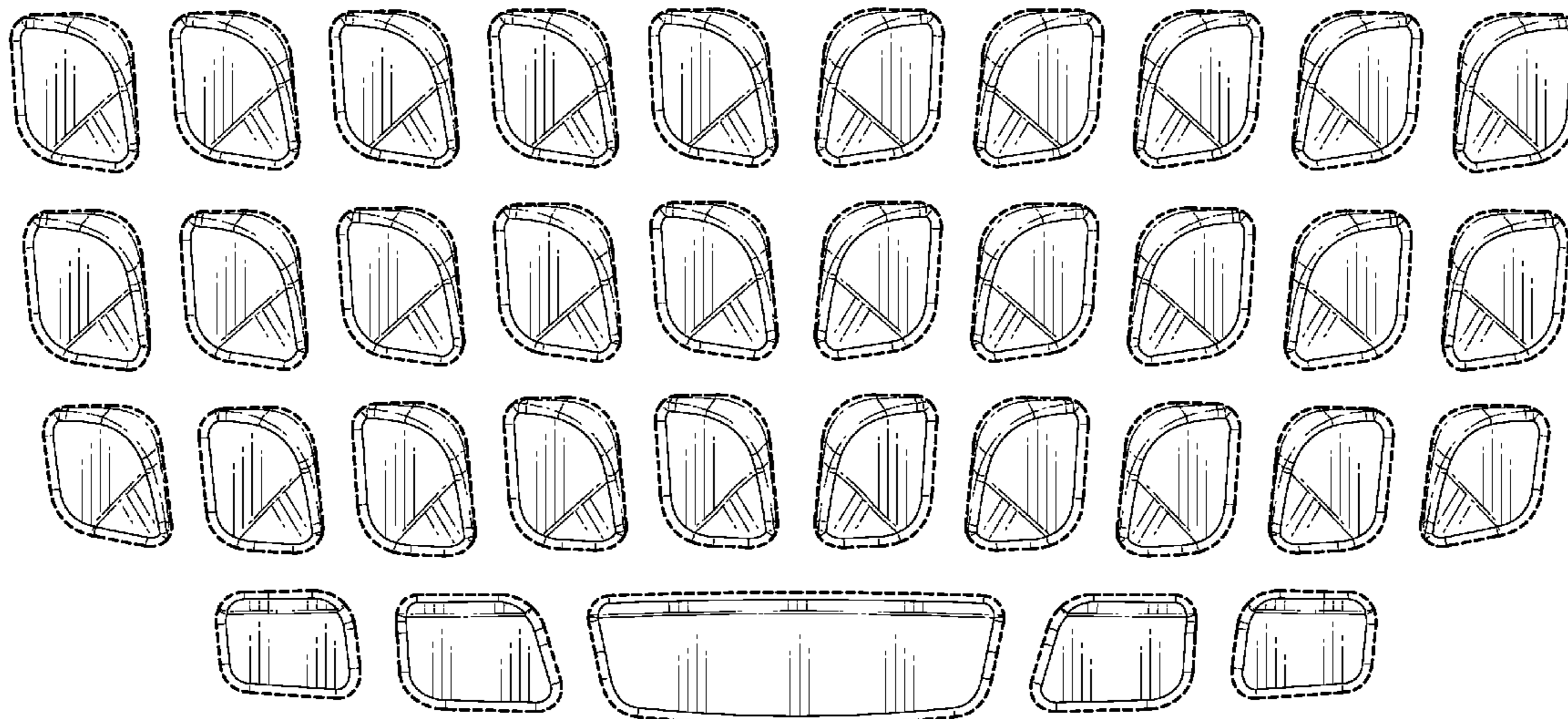
FIG. 7 is another perspective view of the keypad of FIG. 1;

FIG. 8 is an enlarged view of a portion of FIG. 7 as identified by the broken line encircling of the portion in FIG. 7; and,

FIG. 9 is an enlarged view of a portion of FIG. 7 as identified by the broken line encircling of the portion in FIG. 7.

The broken lines shown in the drawings are for illustrative purposes only and form no part of the claimed design.

1 Claim, 6 Drawing Sheets



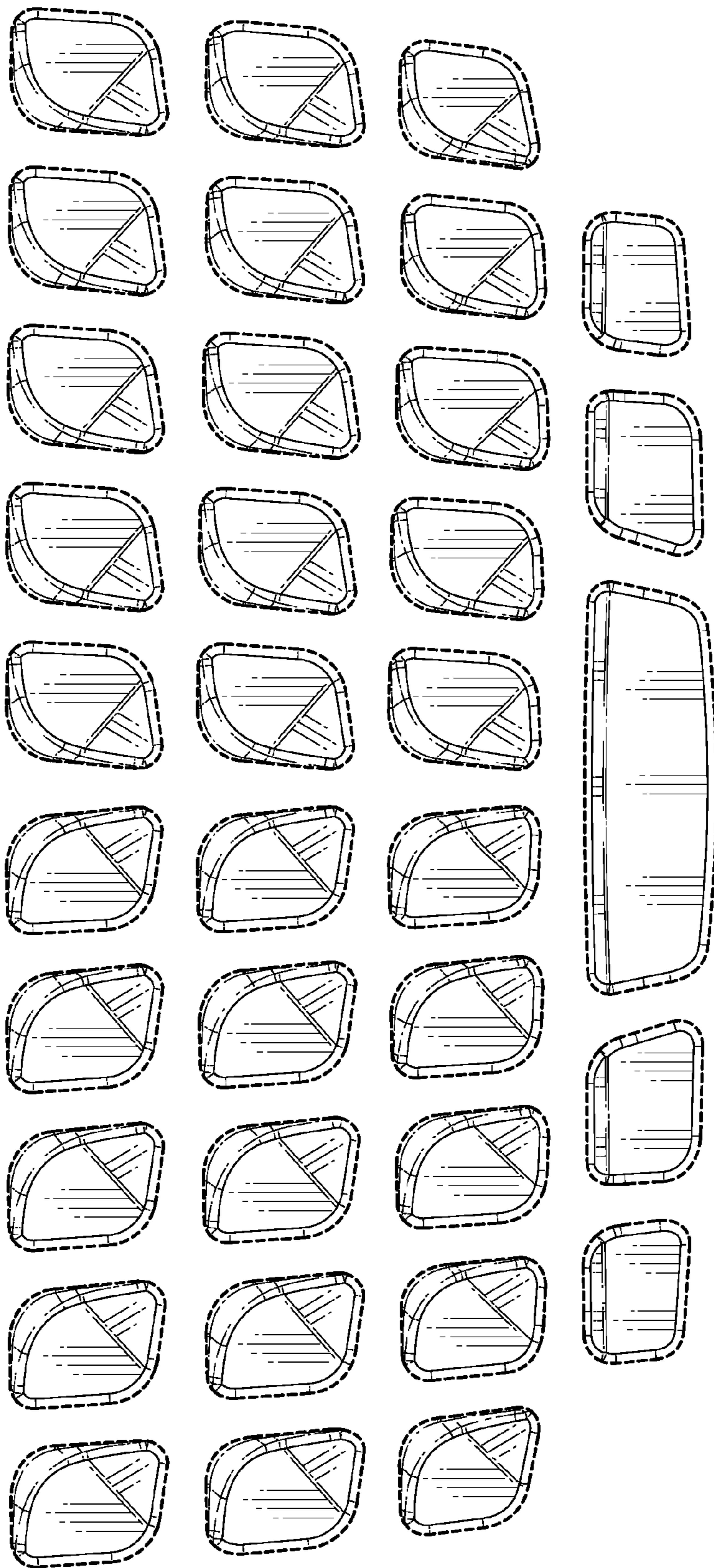


FIG. 1

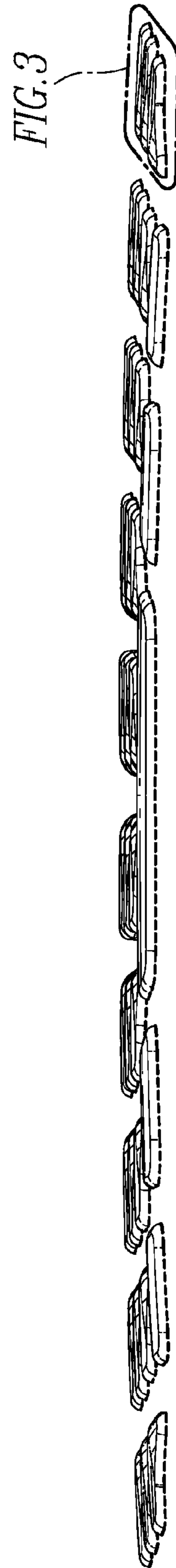


FIG. 2

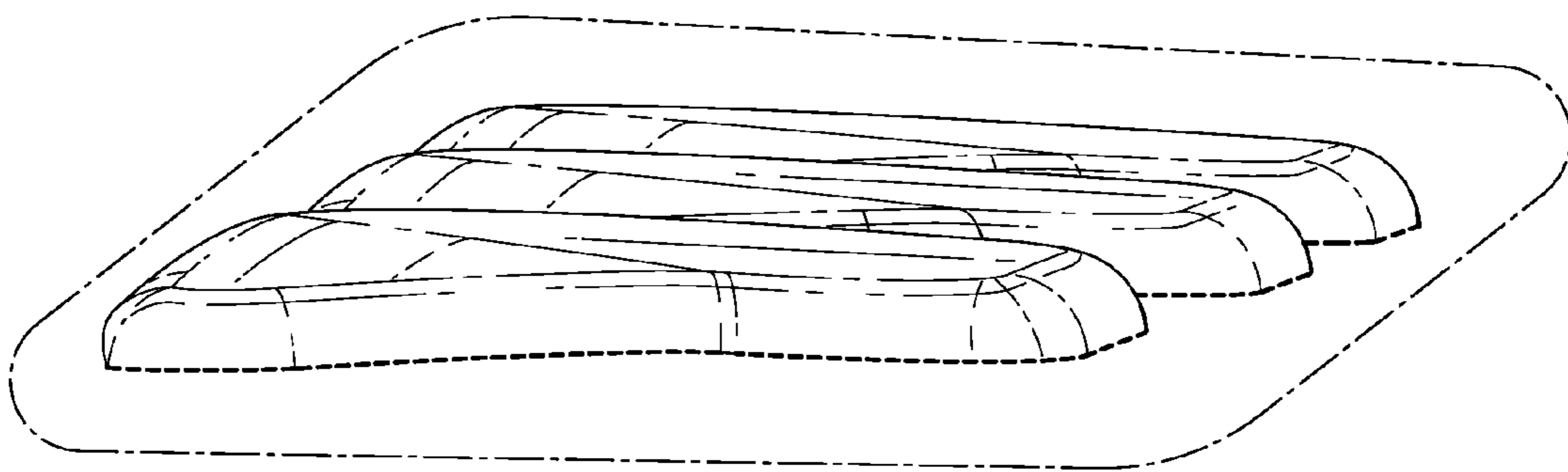
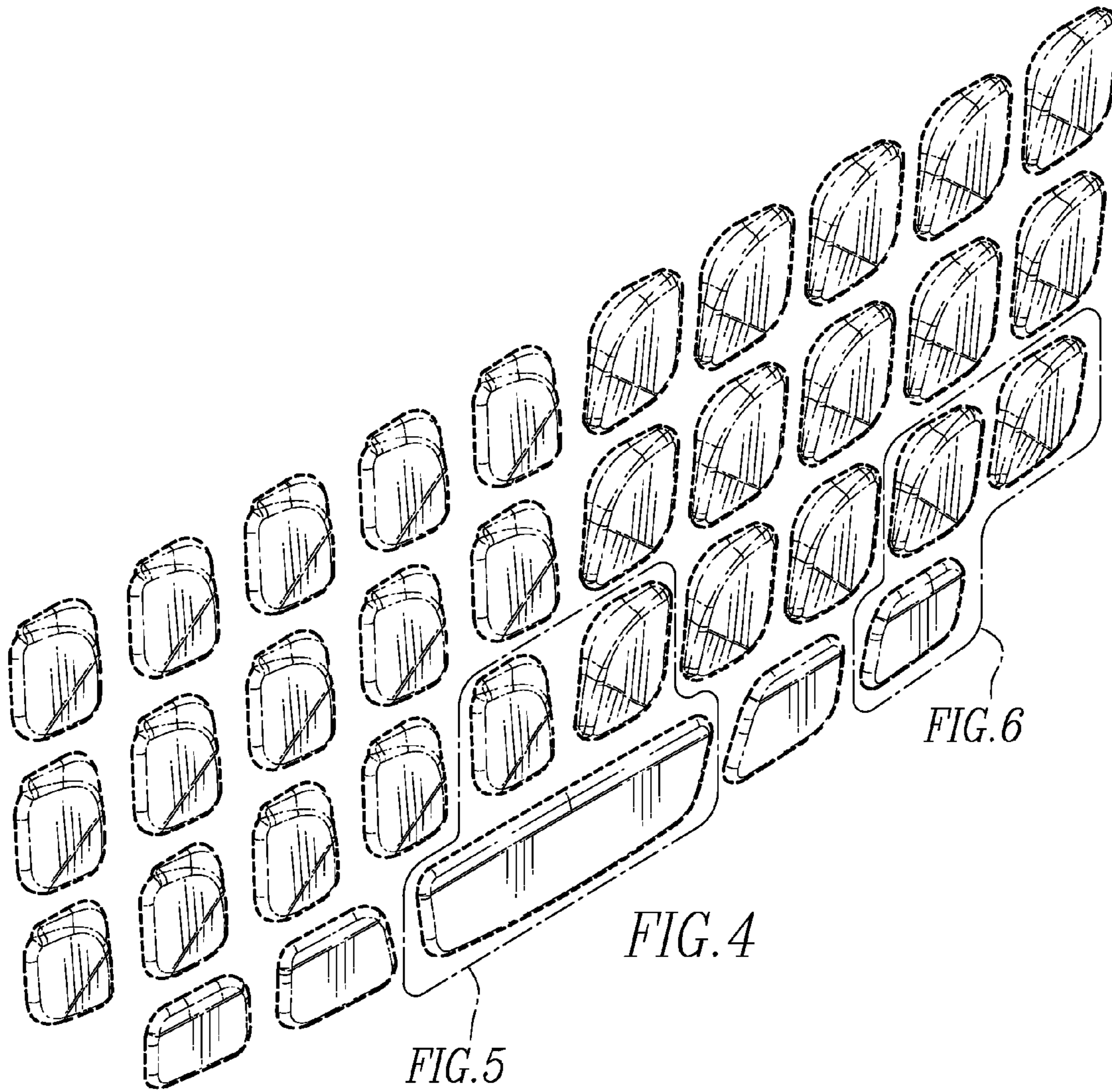


FIG. 3



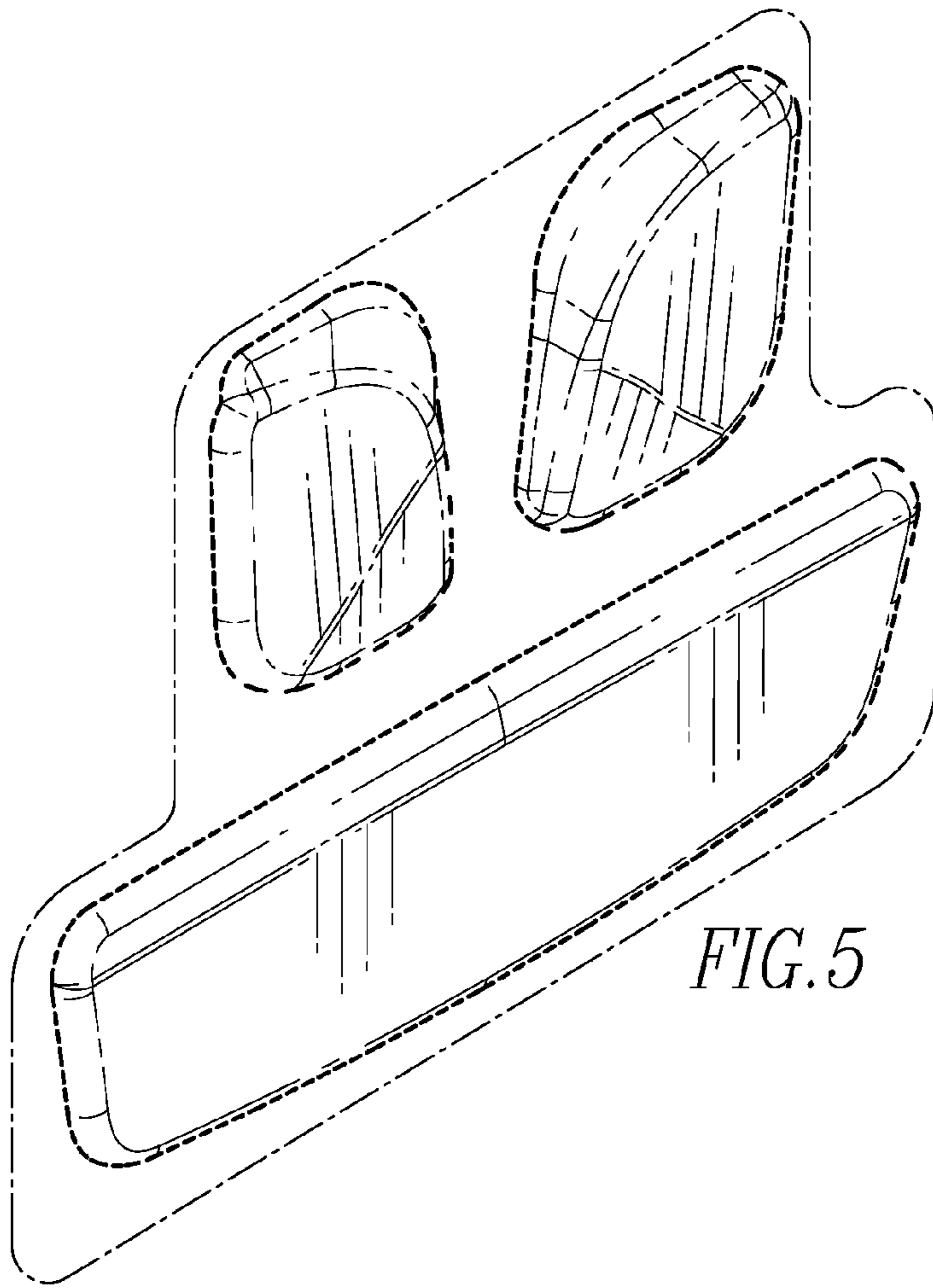


FIG. 5

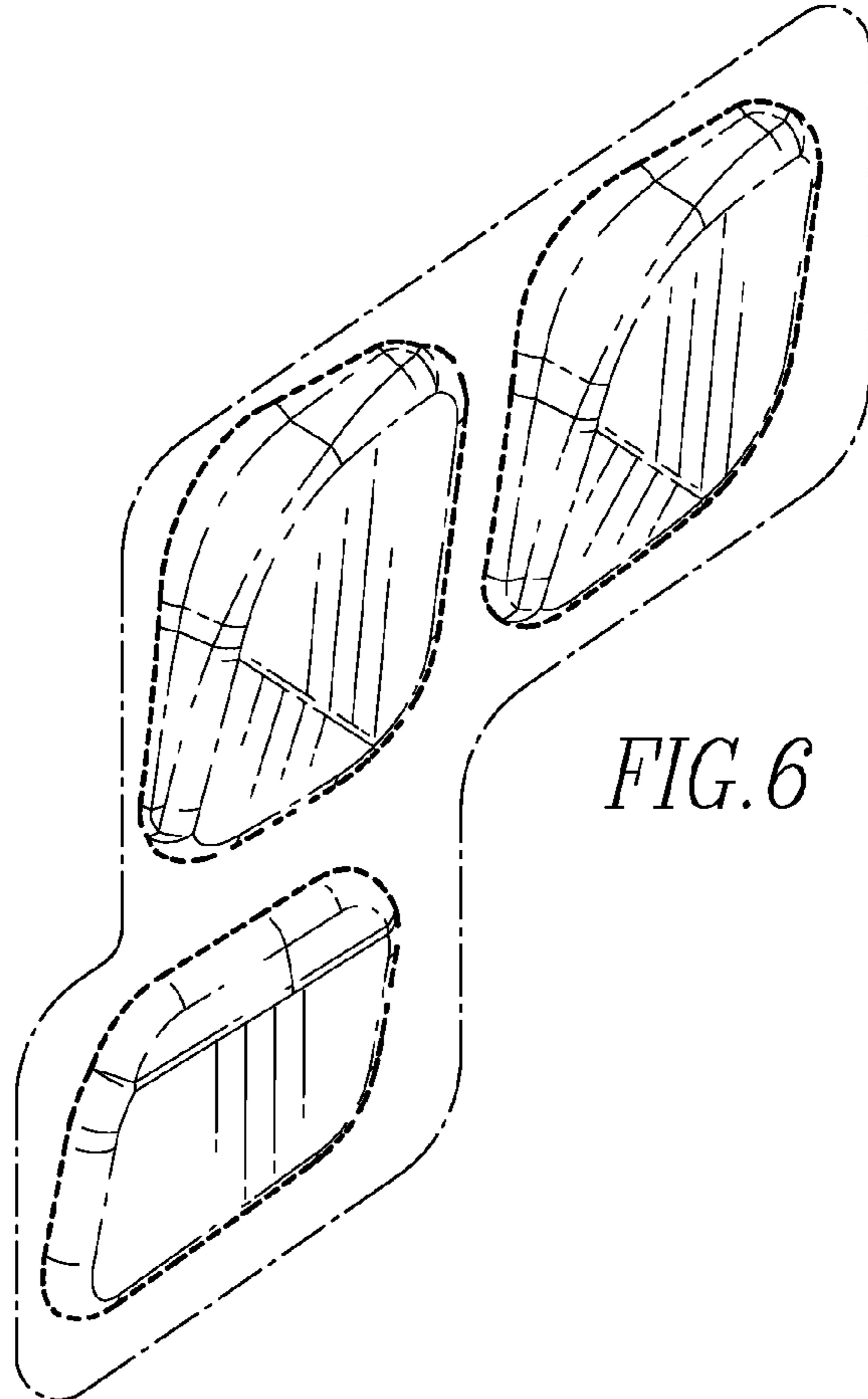


FIG. 6

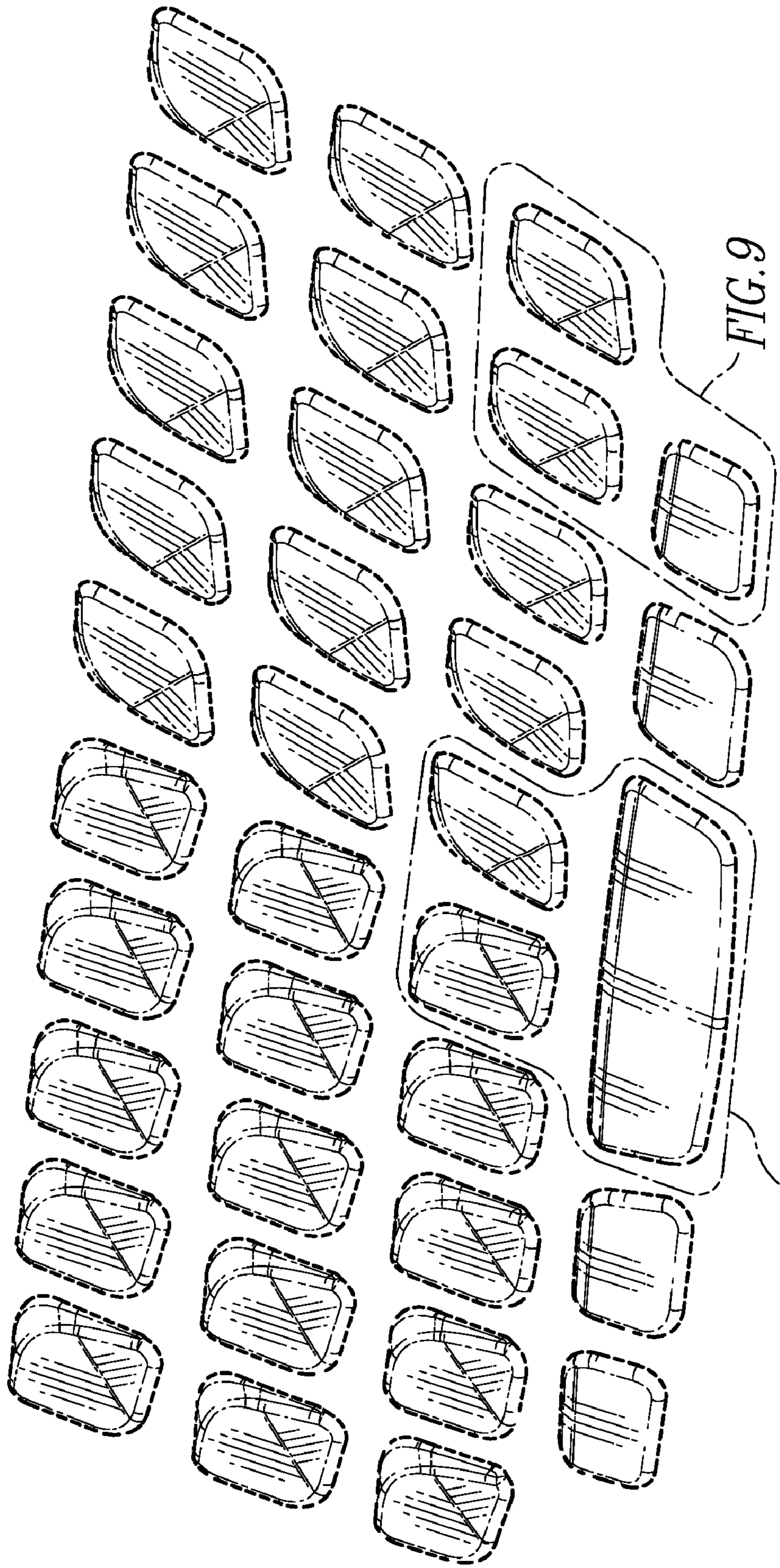


FIG. 9

FIG. 8

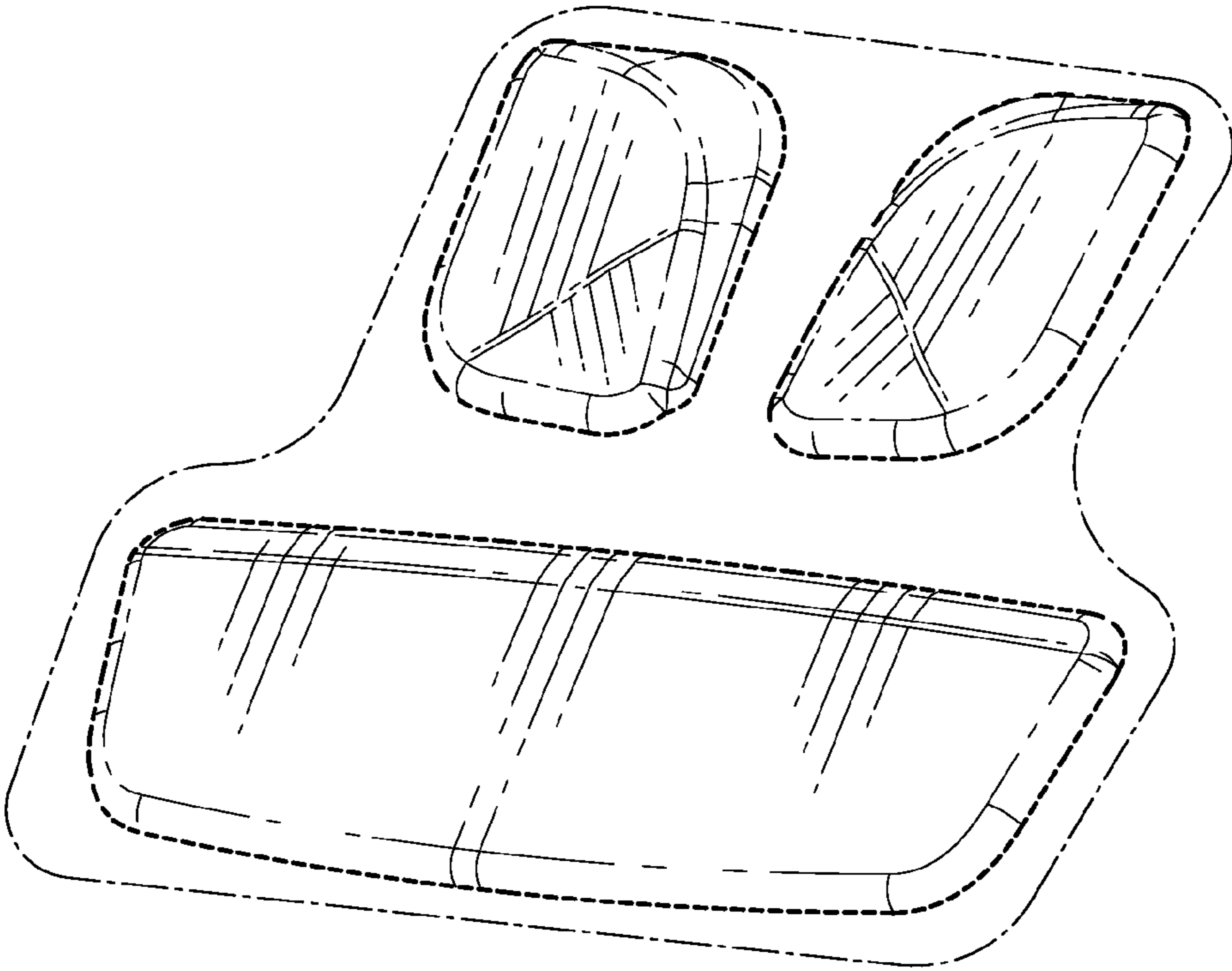


FIG. 8

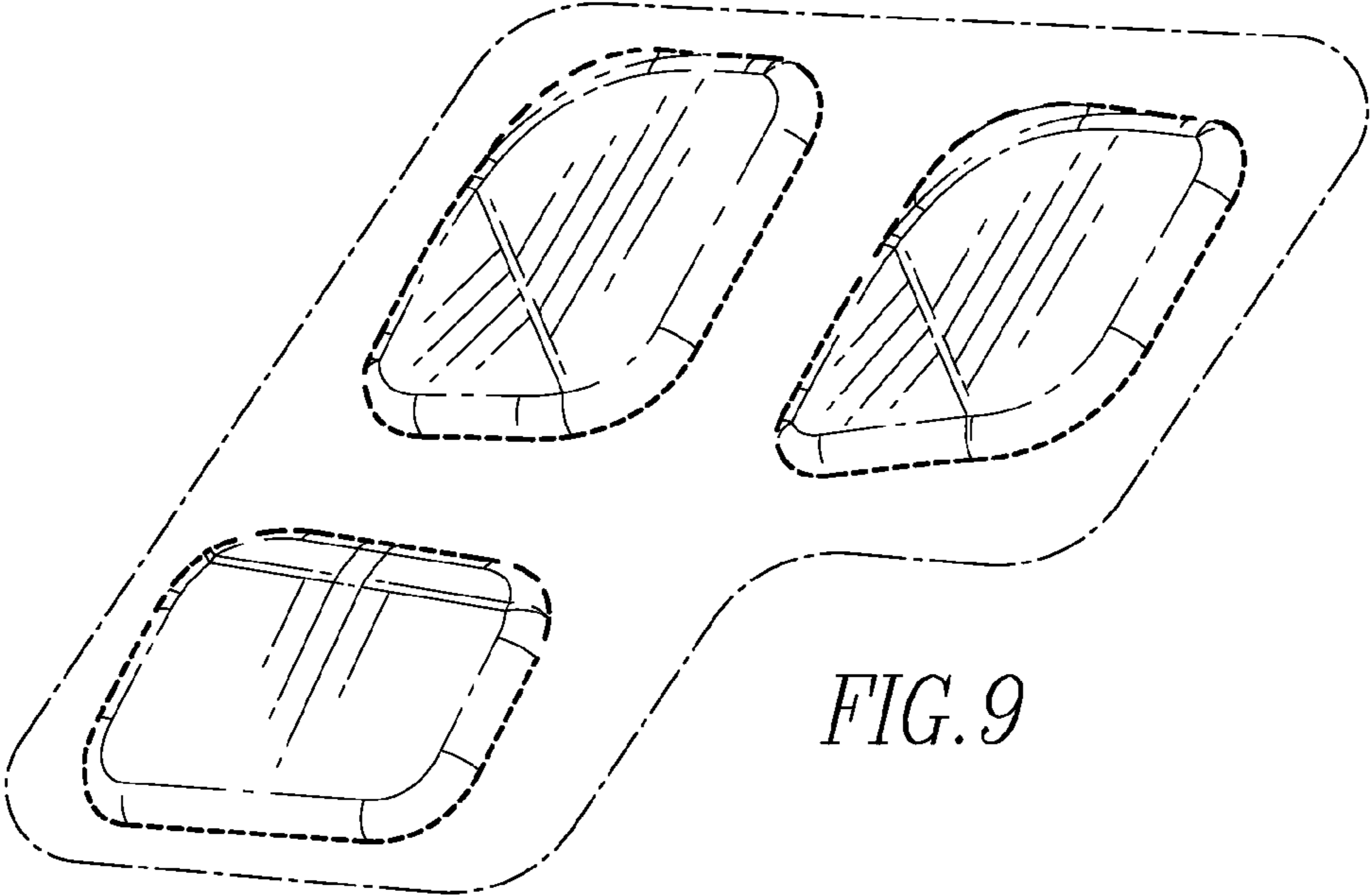


FIG. 9