



US00D550674S

(12) **United States Design Patent**
Watanabe et al.

(10) **Patent No.:** **US D550,674 S**

(45) **Date of Patent:** **** Sep. 11, 2007**

(54) **HANDHELD SCANNER**

(75) Inventors: **Hitoshi Watanabe**, Saitamai (JP);
Hironobu Watanabe, Koshigaya (JP);
Masaaki Abe, Saitama (JP)

(73) Assignee: **Optoelectronics Co., Ltd.**, Saitama
Pref. (JP)

(**) Term: **14 Years**

(21) Appl. No.: **29/239,283**

(22) Filed: **Sep. 28, 2005**

(51) **LOC (8) Cl.** **14-02**

(52) **U.S. Cl.** **D14/428**

(58) **Field of Classification Search** D14/420,
D14/426, 428-30; 382/312, 313, 321; 235/472.01,
235/462.45, 462.43, 472.02, 462.48, 462.46,
235/426.47; 250/568

See application file for complete search history.

(56) **References Cited**

U.S. PATENT DOCUMENTS

- D330,708 S * 11/1992 LaManna et al. D14/428
- D344,501 S * 2/1994 Gong et al. D14/428
- D361,565 S * 8/1995 LaManna et al. D14/428
- D377,347 S * 1/1997 Karlin D14/428
- 5,783,813 A * 7/1998 Metlitsky et al. 235/462.45
- D400,199 S * 10/1998 Fitch et al. D14/428

- 6,000,619 A * 12/1999 Reddersen et al. 235/462.45
- D435,557 S * 12/2000 Eisenberg et al. D14/428
- D459,728 S * 7/2002 Roberts et al. D14/428
- 6,607,132 B1 * 8/2003 Dvorkis et al. 235/462.43
- 2001/0045466 A1 * 11/2001 Bontly 235/472.01
- 2002/0056755 A1 * 5/2002 Canini et al. 235/462.48
- 2004/0065741 A1 * 4/2004 Reddersen et al. 235/462.45

* cited by examiner

Primary Examiner—M. H. Tung

Assistant Examiner—Susan Moon Lee

(74) *Attorney, Agent, or Firm*—Kaplan Gilman Gibson &
Dernier LLP

(57) **CLAIM**

We claim the ornamental design for a handheld scanner, as shown and described.

DESCRIPTION

FIG. 1 is a front view of a handheld scanner showing the new design, the rear view being a mirror image of the front view;

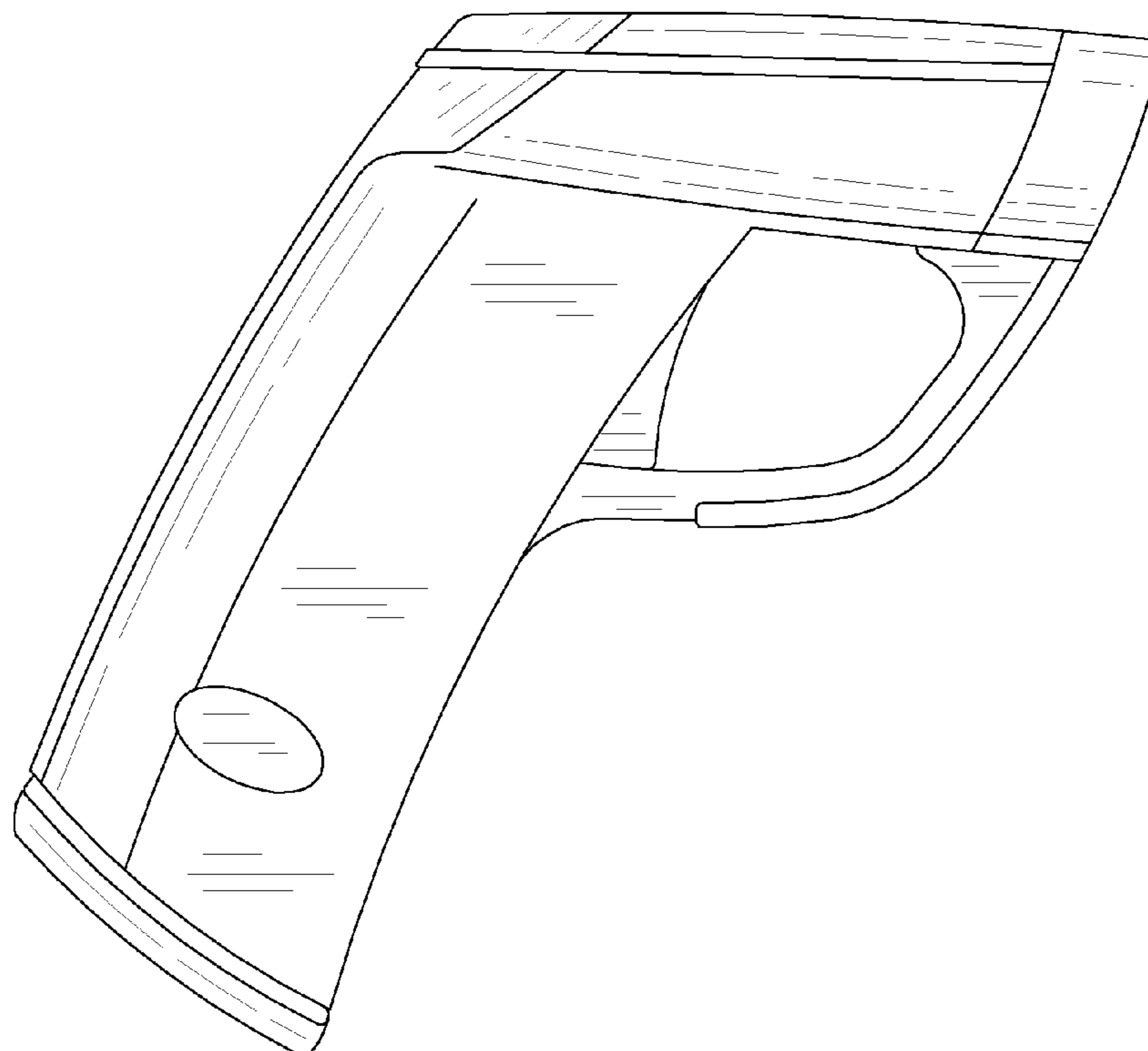
FIG. 2 is a left side view thereof;

FIG. 3 is a right side view thereof;

FIG. 4 is a top view thereof; and,

FIG. 5 is a bottom view thereof.

1 Claim, 3 Drawing Sheets



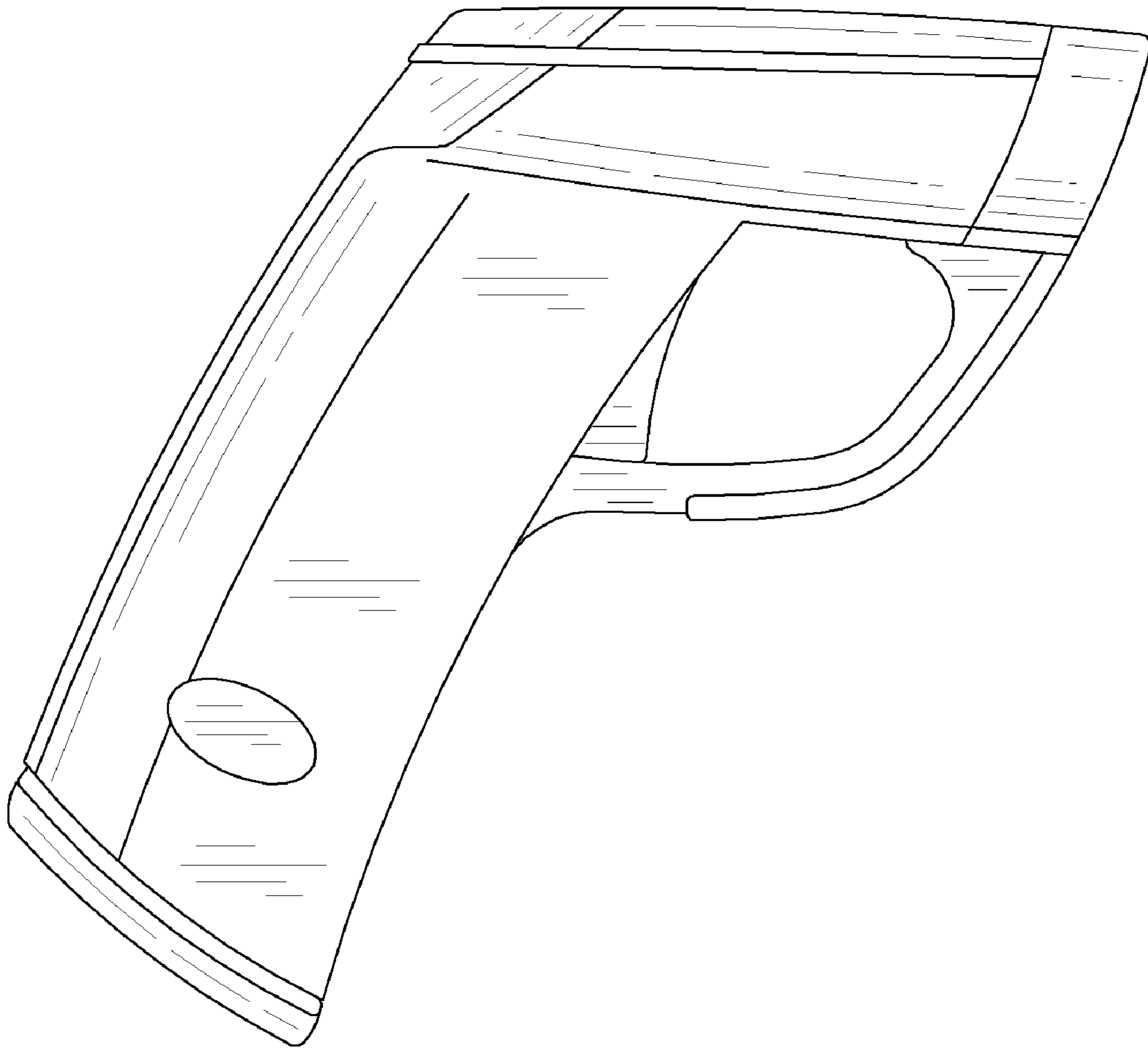


FIG. 1

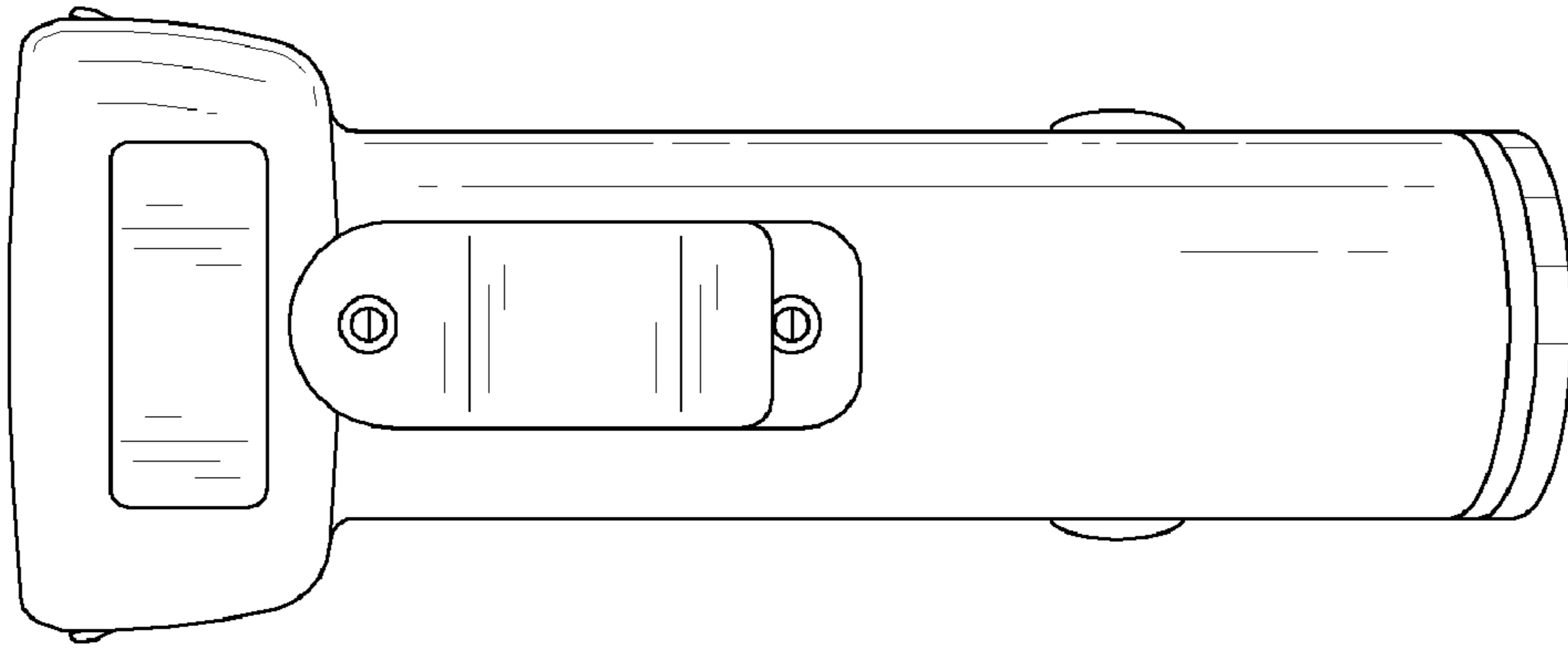


FIG. 3

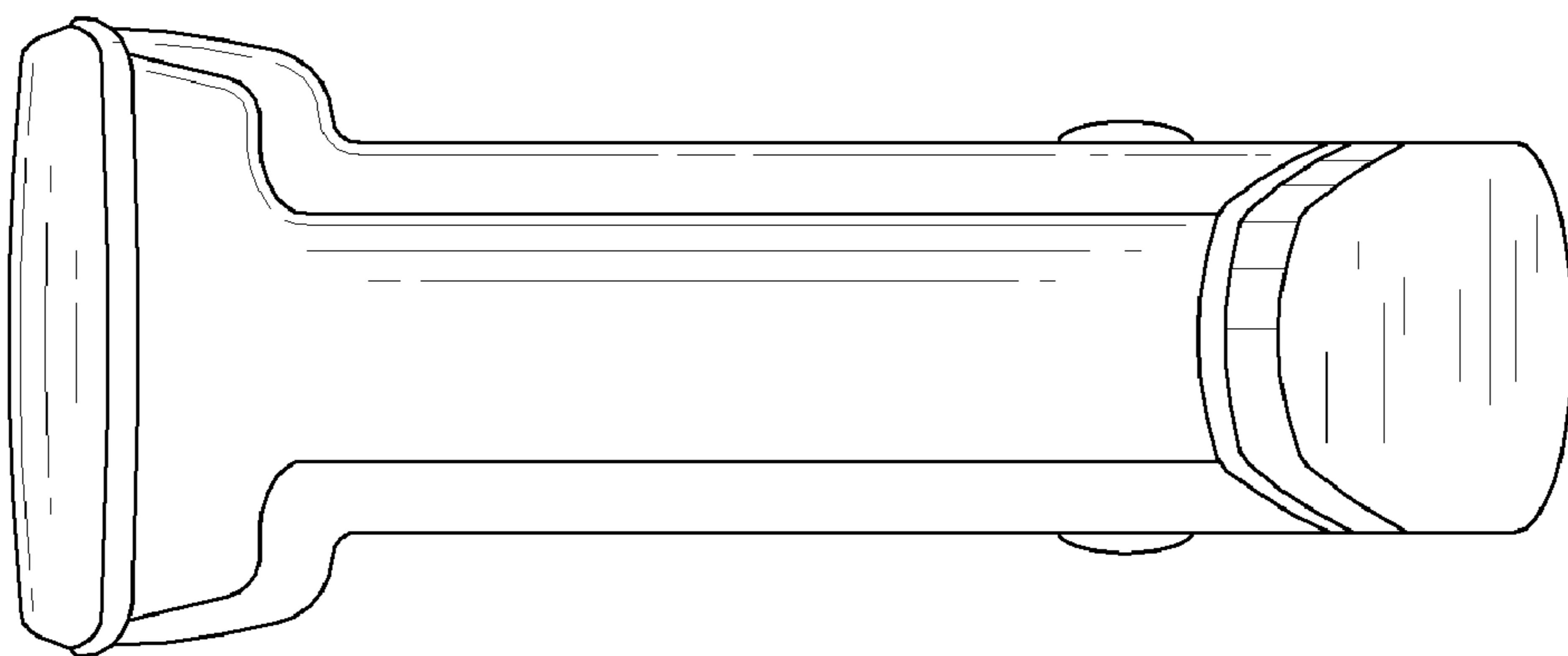


FIG. 2

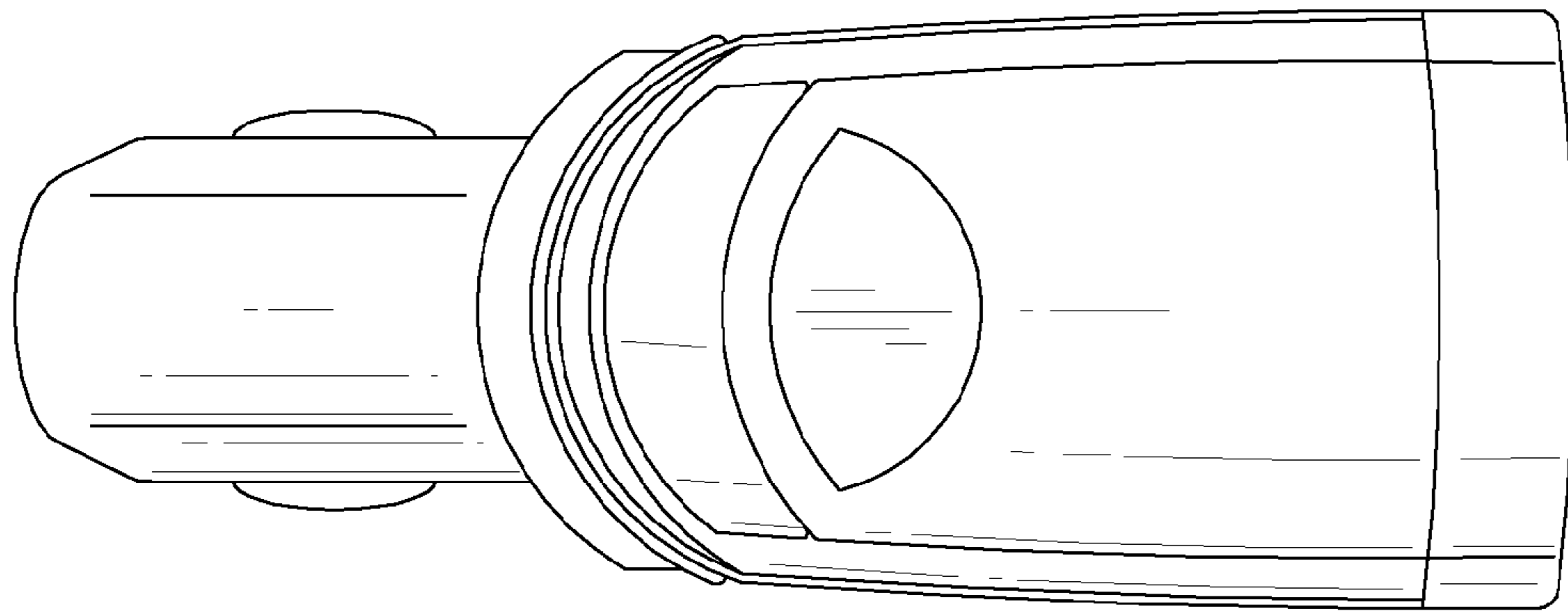


FIG. 4

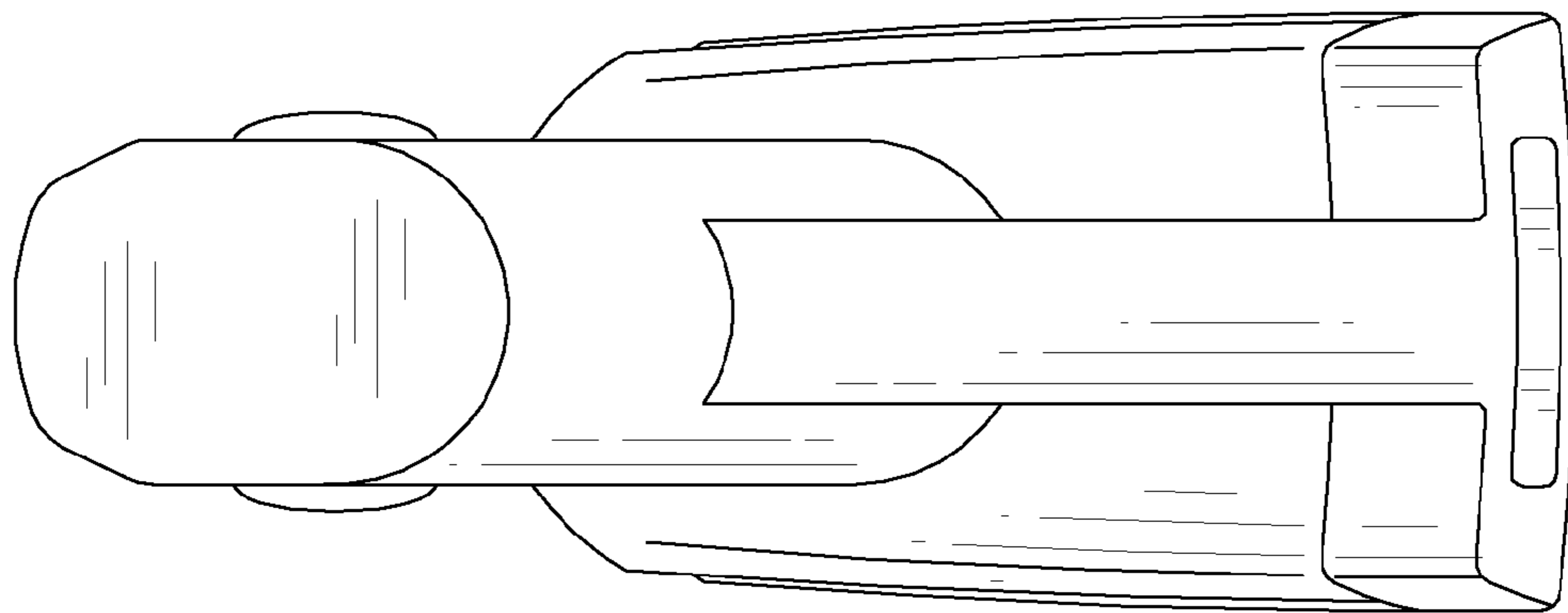


FIG. 5