



US00D550673S

(12) **United States Design Patent**  
**Wong**

(10) **Patent No.:** **US D550,673 S**

(45) **Date of Patent:** **\*\* Sep. 11, 2007**

(54) **GAME CONTROLLER**

D525,246 S \* 7/2006 Nakanishi ..... D14/419

(75) Inventor: **Rodney Wong**, El Cerrito, CA (US)

(73) Assignee: **LeapFrog Enterprises, Inc.**,  
Emeryville, CA (US)

(\*\*) Term: **14 Years**

(21) Appl. No.: **29/260,731**

(22) Filed: **May 30, 2006**

(51) **LOC (8) Cl.** ..... **14-02**

(52) **U.S. Cl.** ..... **D14/413; D21/333**

(58) **Field of Classification Search** ..... D14/217,  
D14/218, 356, 388, 399, 400, 401, 412-416,  
D14/432, 434, 496, 454-457; D21/324,  
D21/332, 333; 463/1, 30, 36-38, 46, 47;  
273/148 B, 148 R; 345/156-161, 905  
See application file for complete search history.

(56) **References Cited**

**U.S. PATENT DOCUMENTS**

D307,921 S *	5/1990	Barr	.....	D14/413
D351,870 S *	10/1994	Leung	.....	D14/413
D366,911 S *	2/1996	Hsieh	.....	D14/401
D375,765 S *	11/1996	Kawasaki	.....	D14/413
D394,626 S *	5/1998	Sacco et al.	.....	D12/192
5,923,317 A *	7/1999	Sayler et al.	.....	345/156
D434,454 S *	11/2000	Benoit et al.	.....	D21/330
D463,404 S *	9/2002	Sadatsuki	.....	D14/218
D496,004 S *	9/2004	Borsboom	.....	D13/168
6,835,135 B1 *	12/2004	Silverbrook et al.	.....	463/30
D508,052 S *	8/2005	Kit et al.	.....	D14/413
D515,580 S *	2/2006	Boswell et al.	.....	D14/413

**OTHER PUBLICATIONS**

Leapfrog Enterprises, [http://www.leapfrog.com/Primary/PreschoolKindergarten/PRD\\_leapstertv/Leapster+TVtrade+TVtrade+Learning+System.jsp?bmUID=1175886319219&bm&Locale=en\\_US](http://www.leapfrog.com/Primary/PreschoolKindergarten/PRD_leapstertv/Leapster+TVtrade+TVtrade+Learning+System.jsp?bmUID=1175886319219&bm&Locale=en_US), Apr. 6, 2007, 2 pgs.\*

\* cited by examiner

*Primary Examiner*—Stella Reid  
*Assistant Examiner*—Keli L. Acker

(57) **CLAIM**

I claim the ornamental design for a game controller, as shown and described.

**DESCRIPTION**

FIG. 1 is an upper left, front perspective view of a game controller, embodying my new design, with a panel cover and a game console;

FIG. 2 is an upper left, front perspective view thereof, without the panel cover;

FIG. 3 is a front elevational view thereof;

FIG. 4 is a top plan view thereof, with a stylus;

FIG. 5 is a rear elevational view thereof;

FIG. 6 is a bottom plan view thereof, with a panel cover well

FIG. 7 is a left side elevational view thereof; and,

FIG. 8 is a right side elevational view thereof.

The dashed lines are for illustrative purposes only and form no part of the claimed design.

**1 Claim, 5 Drawing Sheets**

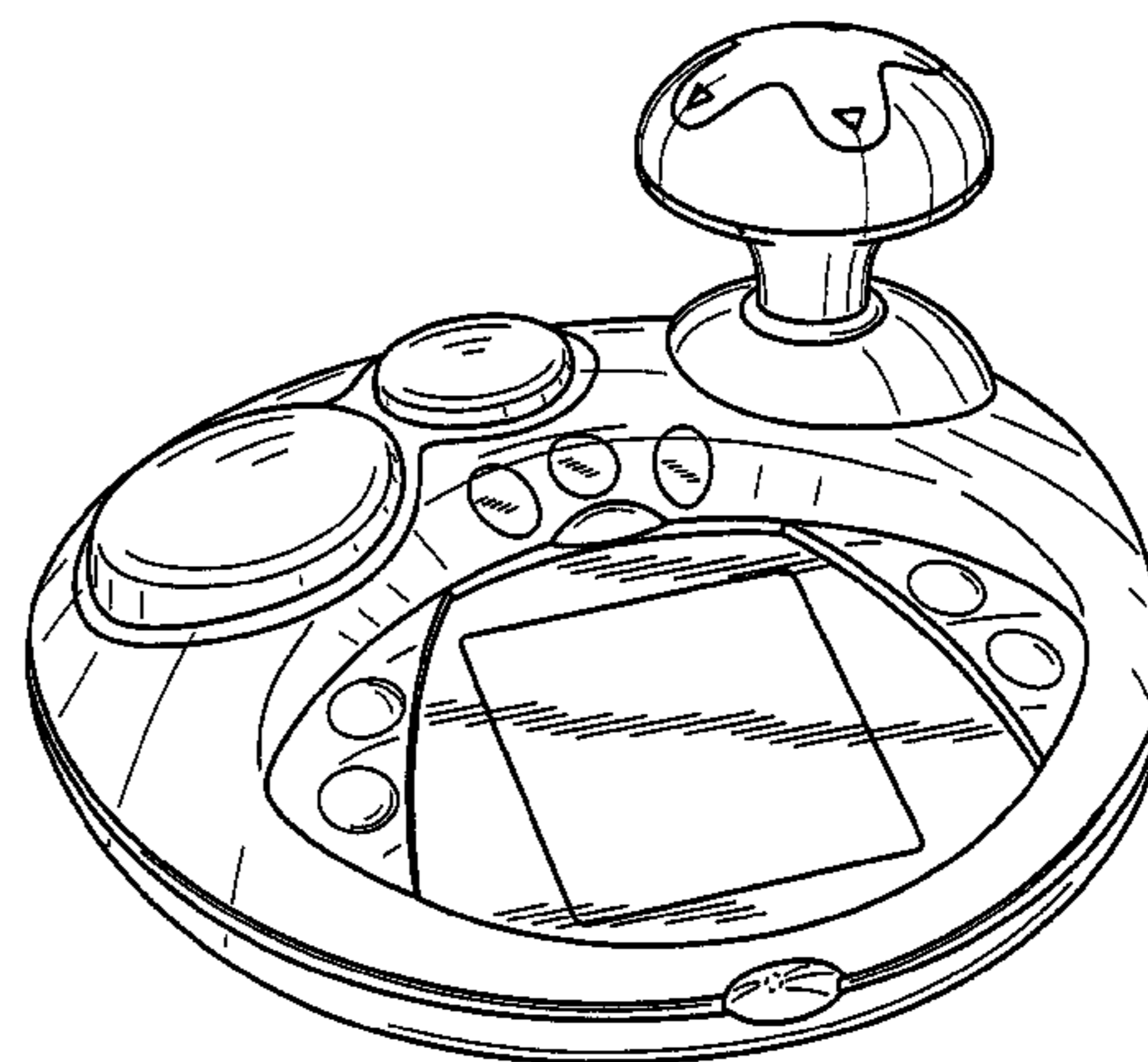
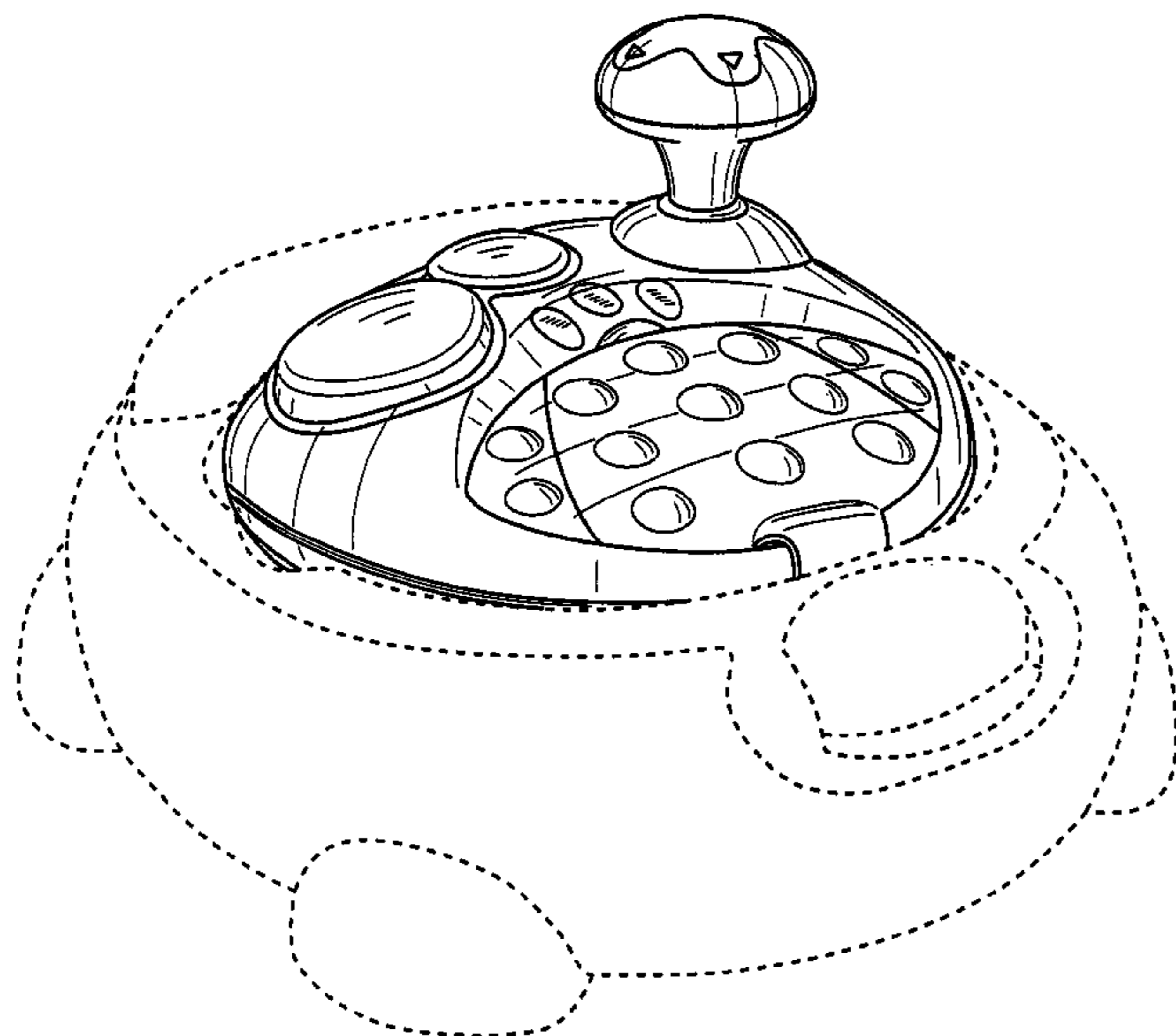
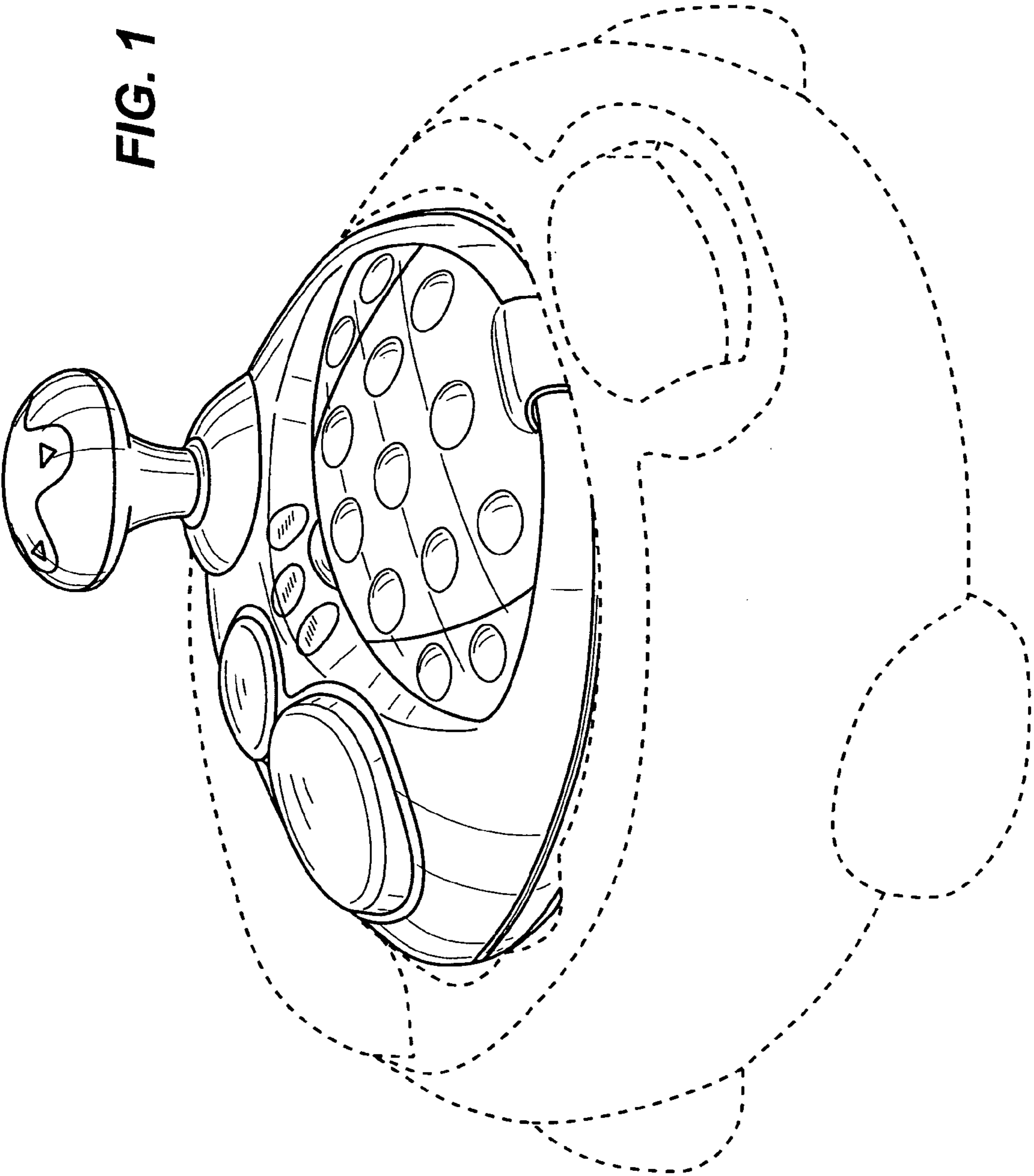
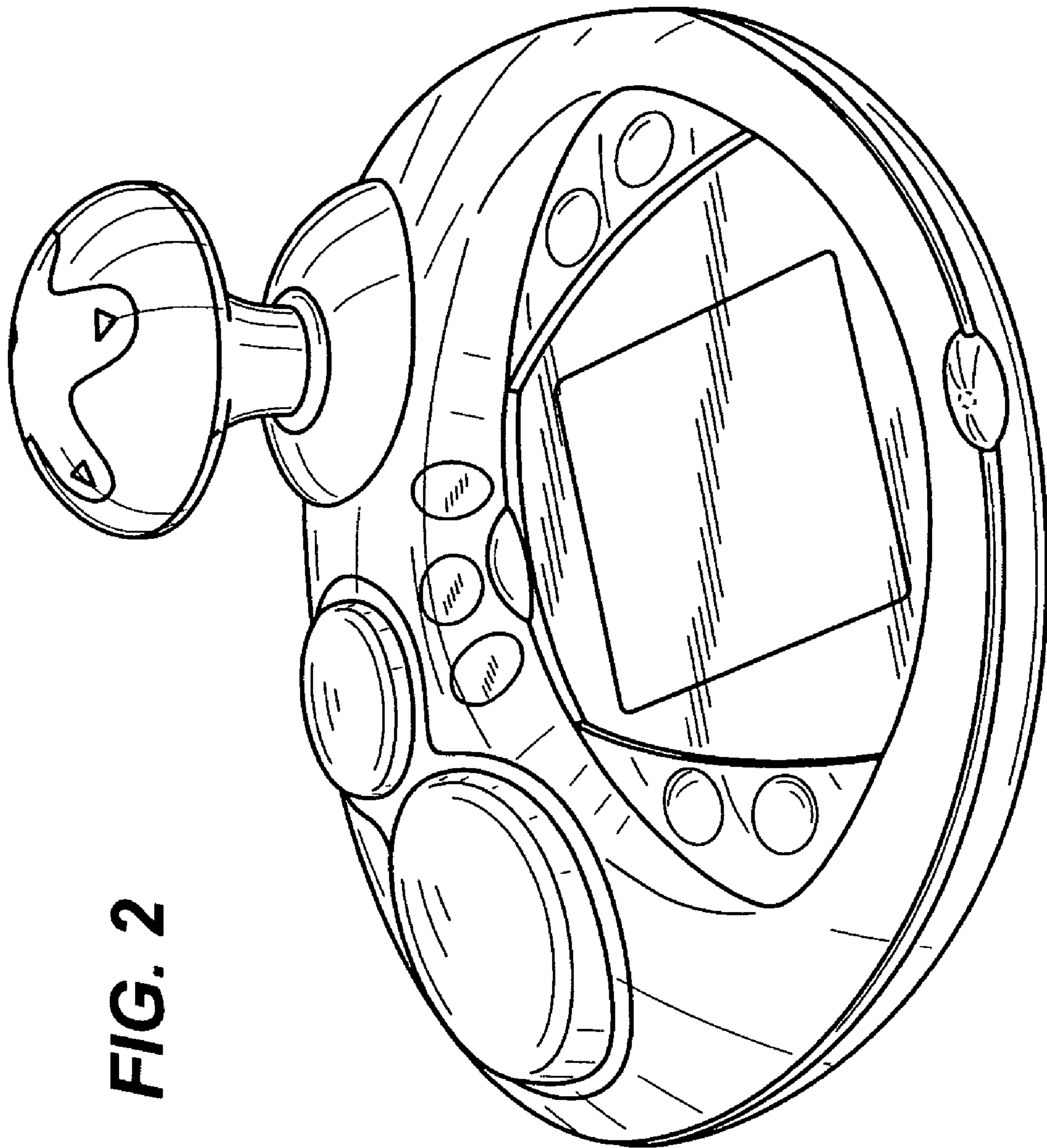


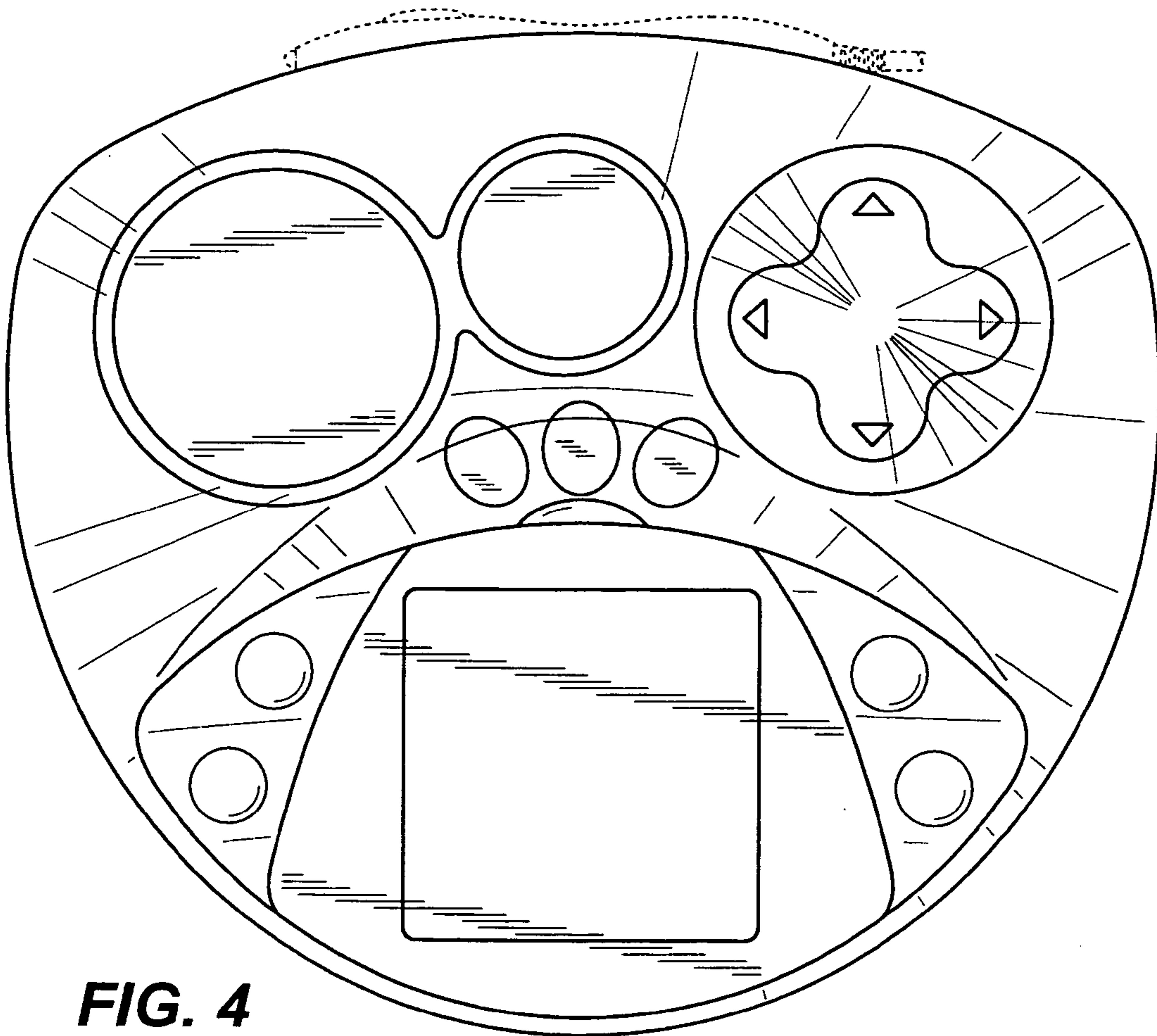
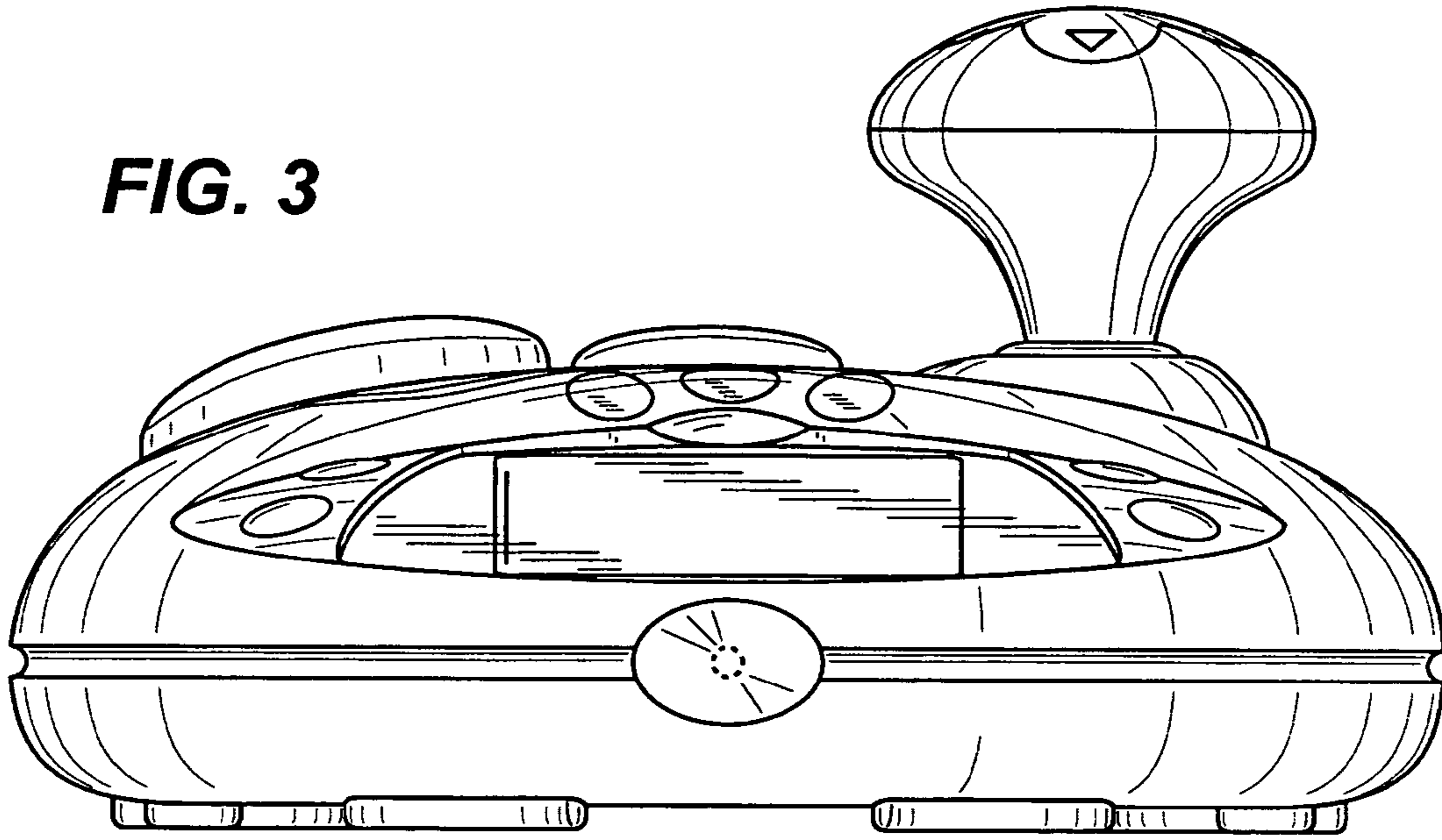
FIG. 1



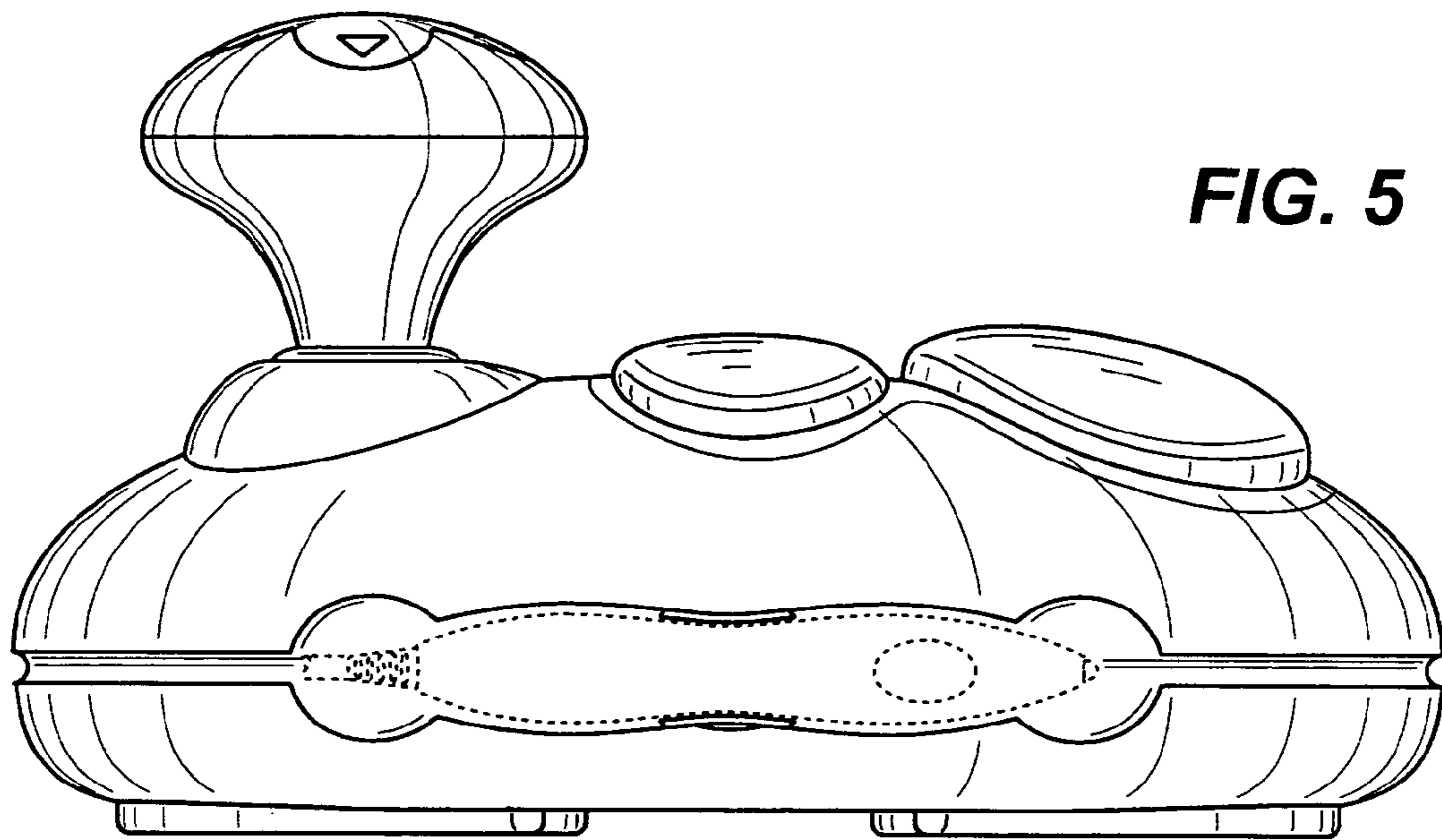


**FIG. 2**

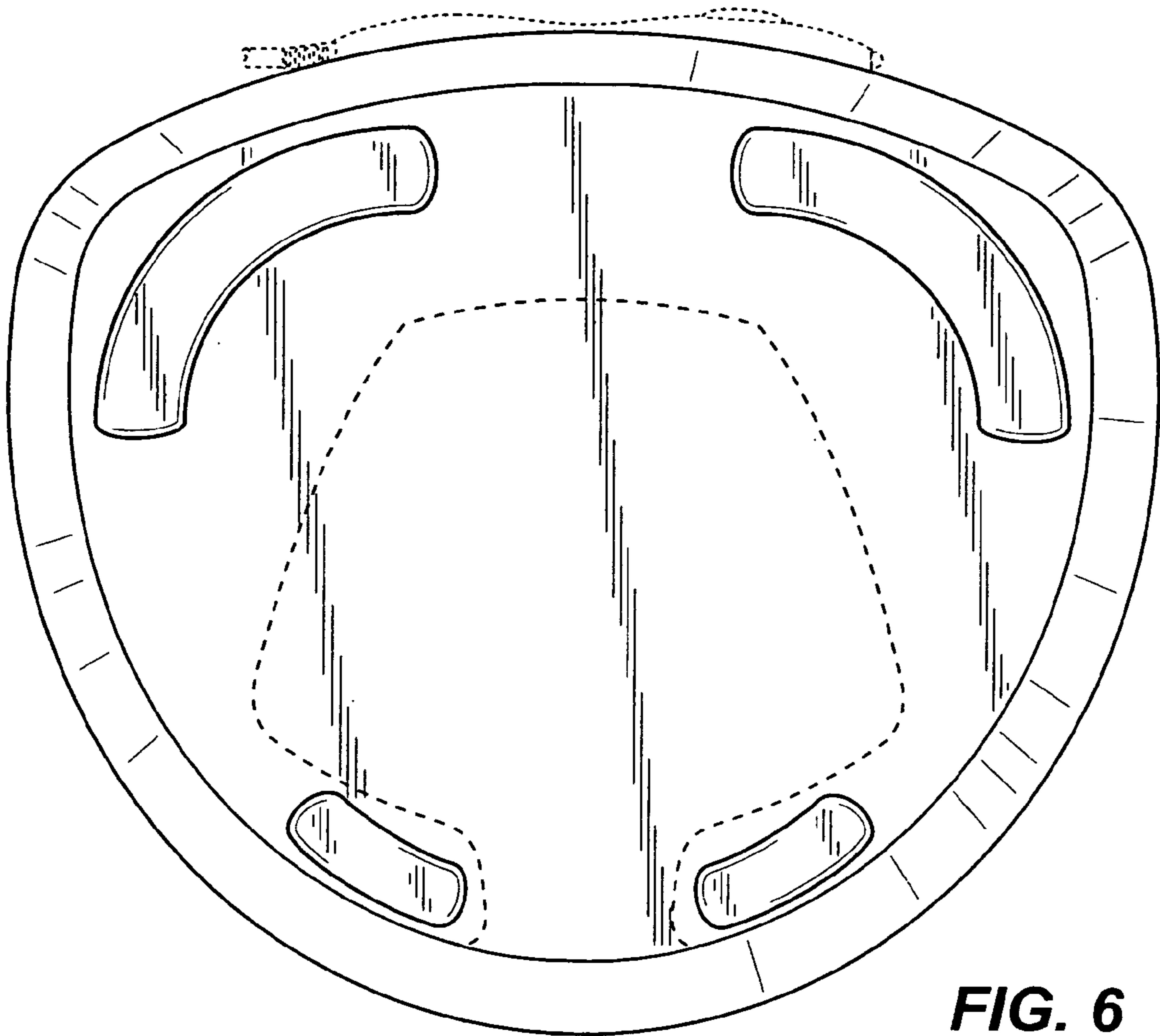
**FIG. 3**



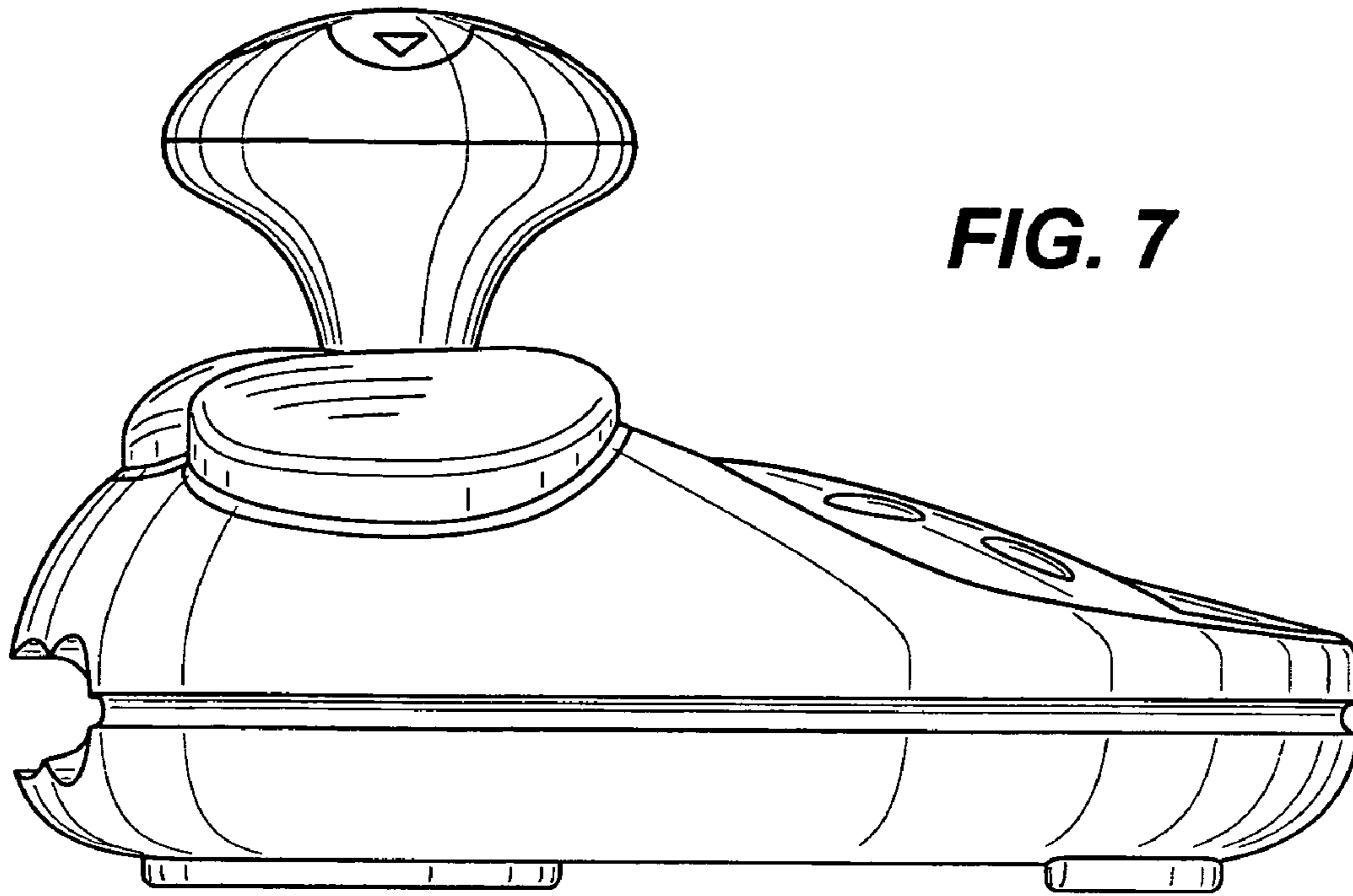
**FIG. 4**



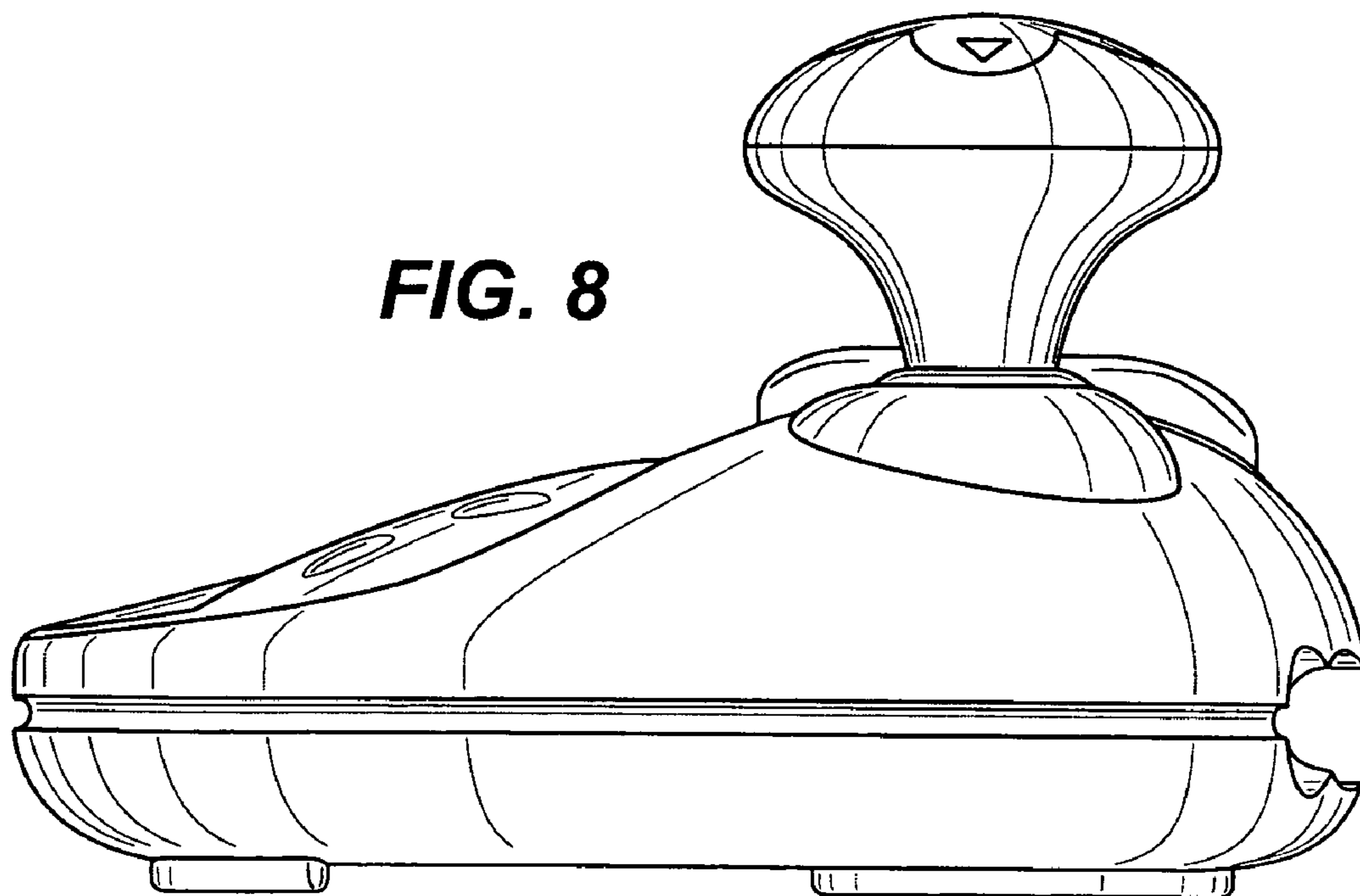
**FIG. 5**



**FIG. 6**



**FIG. 7**



**FIG. 8**