



US00D550652S

(12) **United States Design Patent**
Mizokawa

(10) **Patent No.:** **US D550,652 S**
(45) **Date of Patent:** **** Sep. 11, 2007**

(54) **SPEAKER FOR AN AUTOMOBILE**

D451,908 S 12/2001 Mackie et al.
D465,780 S 11/2002 Shindo
D472,545 S 4/2003 Iijima et al.

(75) Inventor: **Hiroyuki Mizokawa**, Osaka (JP)

(73) Assignee: **Matsushita Electric Industrial Co., Ltd.**, Osaka (JP)

(Continued)

(**) Term: **14 Years**

JP D1157504 11/2002
JP D1157505 11/2002

(21) Appl. No.: **29/260,704**

(Continued)

(22) Filed: **May 31, 2006**

Primary Examiner—Nanda Bondade

(30) **Foreign Application Priority Data**

(74) *Attorney, Agent, or Firm*—Brinks Hofer Gilson & Lione

Dec. 2, 2005 (JP) 2005-035667

(51) **LOC (8) Cl.** **14-01**

(52) **U.S. Cl.** **D14/216; D14/221**

(58) **Field of Classification Search** D14/204,
D14/209–216, 221–222; 181/143–144, 147–148,
181/150, 157, 198–199, 151–153; 381/300–302,
381/306, 333, 345, 361–364, 386–388, 332,
381/336

See application file for complete search history.

(56) **References Cited**

U.S. PATENT DOCUMENTS

D87,689 S	8/1932	Sinel	
D186,670 S	11/1959	Durbin	
D188,542 S	8/1960	Levy et al.	
D197,716 S	3/1964	Boldt et al.	
D253,108 S	10/1979	Schroeder	
D254,252 S *	2/1980	Matsubara D14/216
D265,086 S	6/1982	Kawachi	
D270,909 S	10/1983	Iijima	
D273,008 S	3/1984	Ishizaki	
D281,065 S *	10/1985	Katsuno D14/215
D302,695 S *	8/1989	Weissberg et al. D14/222
4,965,837 A	10/1990	Murayama et al.	
D317,160 S	5/1991	Kurata et al.	
D320,020 S	9/1991	Iwano	
D336,475 S *	6/1993	Christie D14/215
6,095,278 A *	8/2000	Lin 181/148

FOREIGN PATENT DOCUMENTS

(57) **CLAIM**

I claim the ornamental design for a speaker for an automobile, as shown and described.

DESCRIPTION

FIG. 1 is a top perspective view of a speaker for an automobile of the present invention;

FIG. 2 is a front view thereof;

FIG. 3 is a top view thereof;

FIG. 4 is a first side view thereof;

FIG. 5 is a second side view thereof;

FIG. 6 is a bottom view thereof;

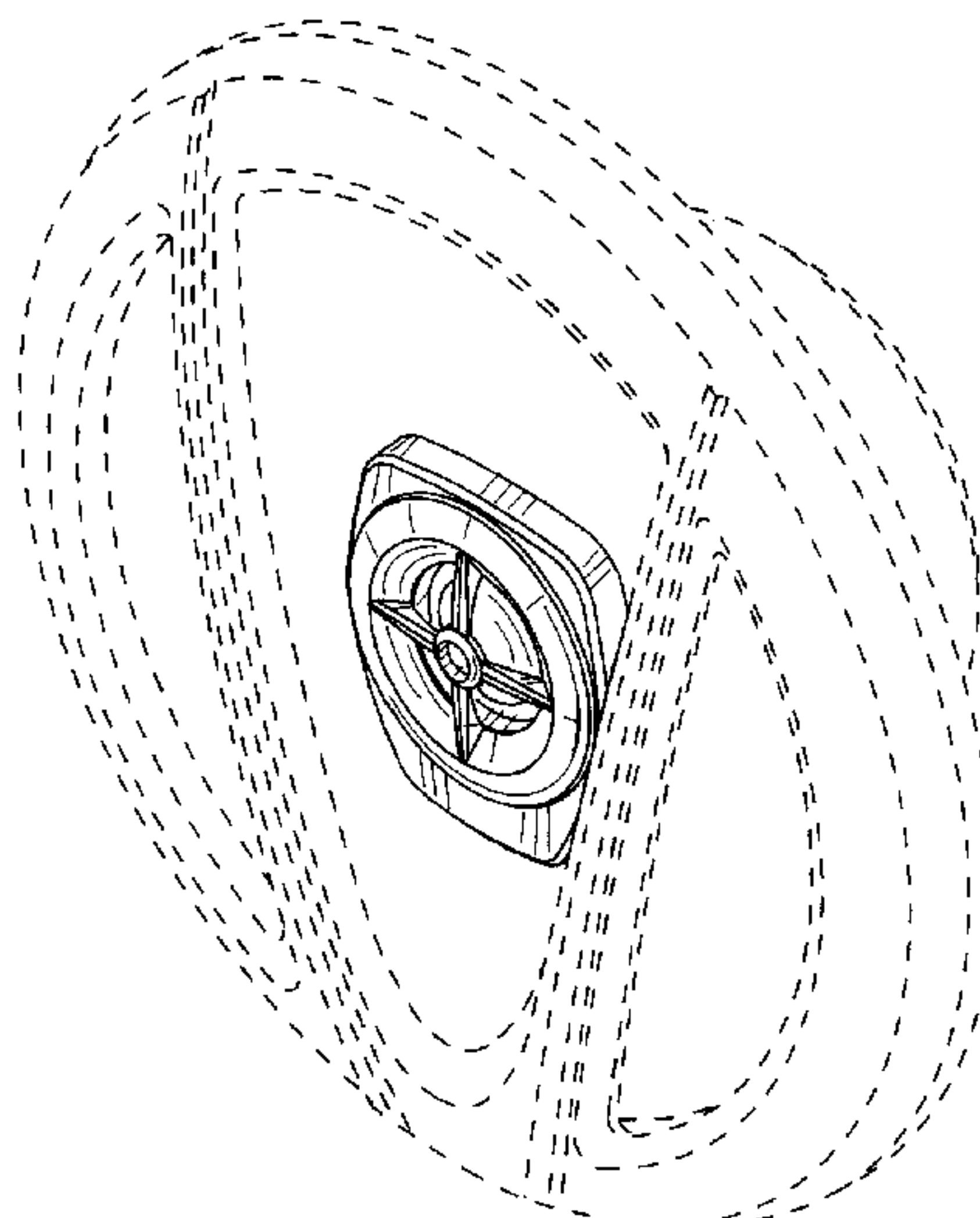
FIG. 7 is a rear view thereof;

FIG. 8 is a cross-section view taken along the line 8—8' of FIG. 2; and,

FIG. 9 is a cross-section view taken along the line of 9—9' of FIG. 2.

The ornamental design which is claimed is shown in solid lines in the drawings. Any broken lines in the drawings are for illustrative purposes only and form no part of the claimed design.

1 Claim, 4 Drawing Sheets



US D550,652 S

Page 2

U.S. PATENT DOCUMENTS

D480,070 S 9/2003 Hakoda
D480,710 S 10/2003 Rivera
D488,802 S 4/2004 Uehara et al.
D493,445 S 7/2004 Iijima et al.
D497,902 S 11/2004 Farinelli et al.
D506,748 S 6/2005 Garretson et al.
D506,992 S 7/2005 Suzuki
D506,993 S 7/2005 Suzuki
D507,560 S 7/2005 Sugiyama
D509,213 S 9/2005 Hasbrook
D510,084 S 9/2005 Hasbrook
D523,422 S 6/2006 Ishikawa et al.

FOREIGN PATENT DOCUMENTS

JP D1159674 12/2002
JP D1191947 12/2003
JP D1191948 12/2003
JP D1192160 12/2003

JP D1192162 12/2003
JP D1193799 1/2004
JP D1201052 4/2004
JP D1201607 4/2004
JP D1223330 11/2004
JP D1223331 11/2004
JP D1241403 6/2005
JP D1241405 6/2005
JP D1244078 6/2005
JP D1244110 6/2005
JP D1245202 7/2005
JP D1247477 8/2005
JP D1247478 8/2005
JP D1247584 8/2005
JP D1247585 8/2005
JP D1256577 11/2005
JP D1256578 11/2005

* cited by examiner

FIG.1

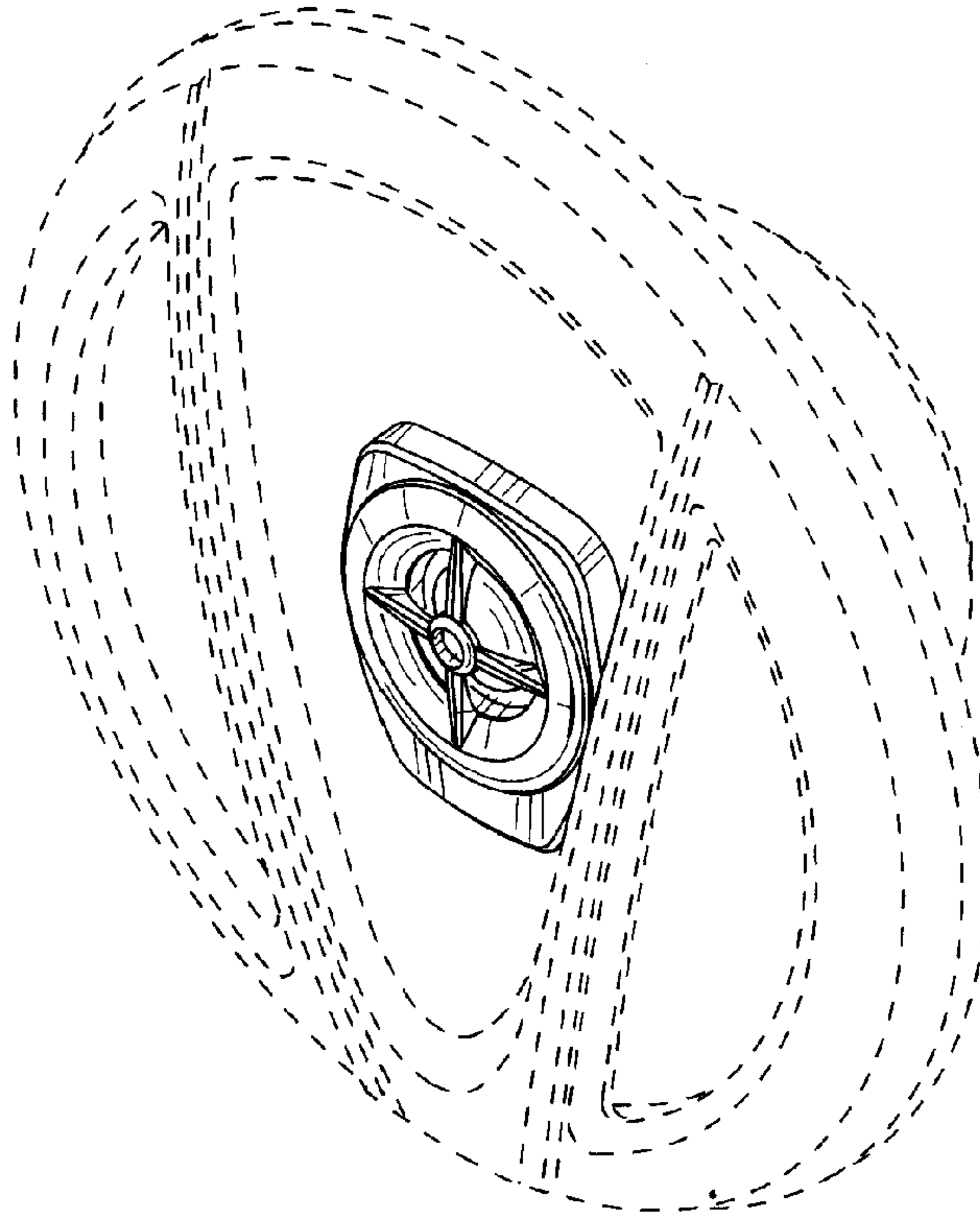


FIG.2

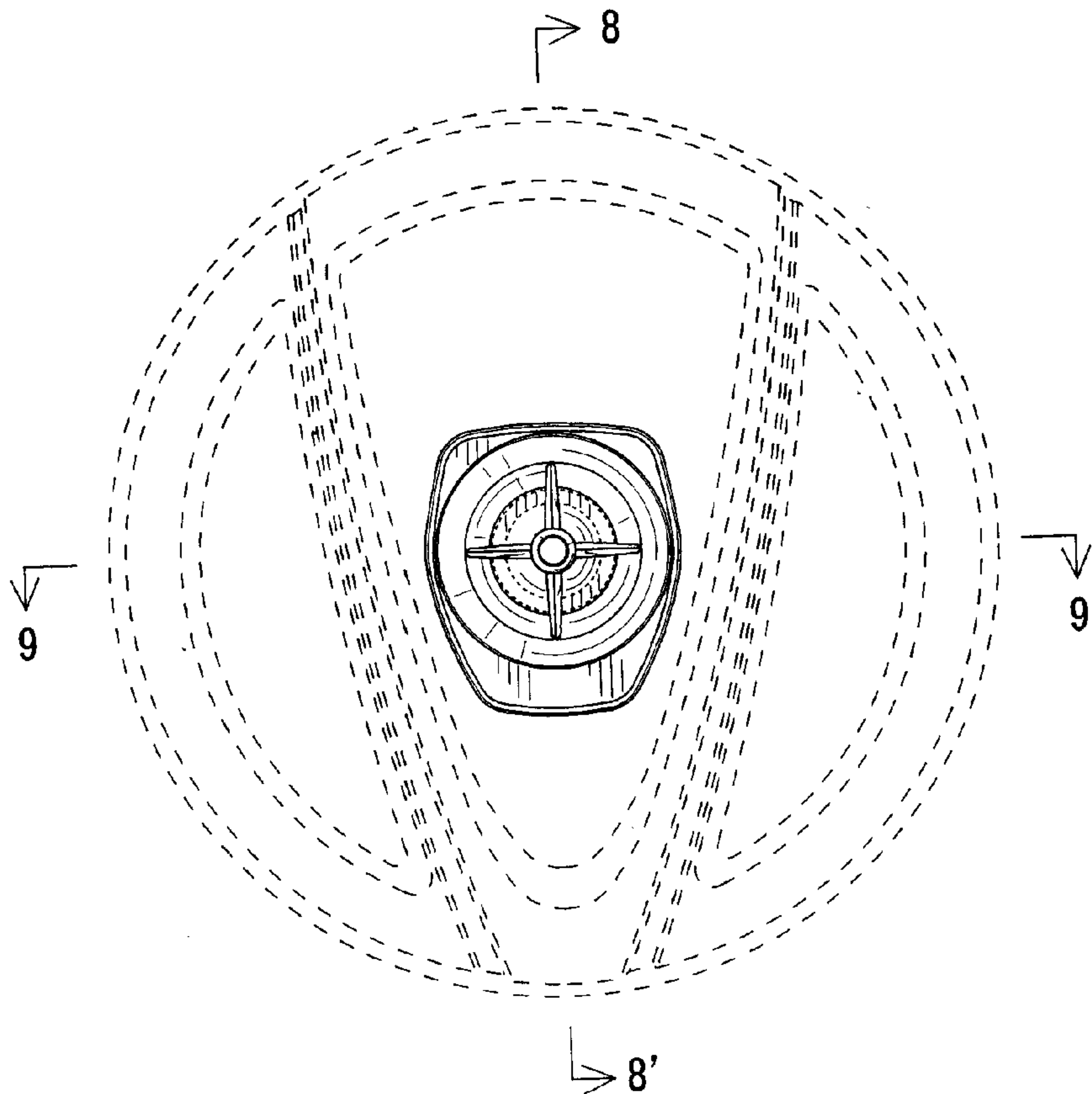


FIG.3

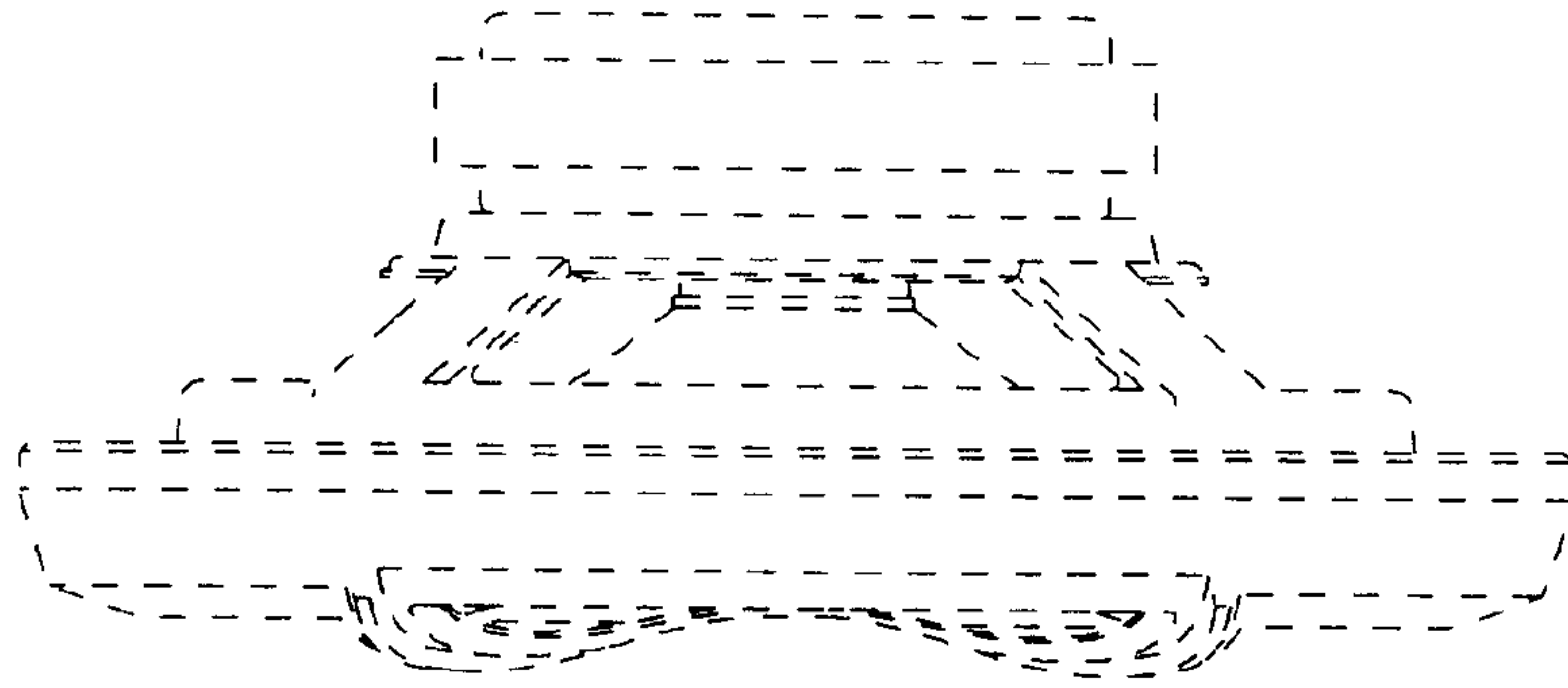


FIG.4



FIG.5

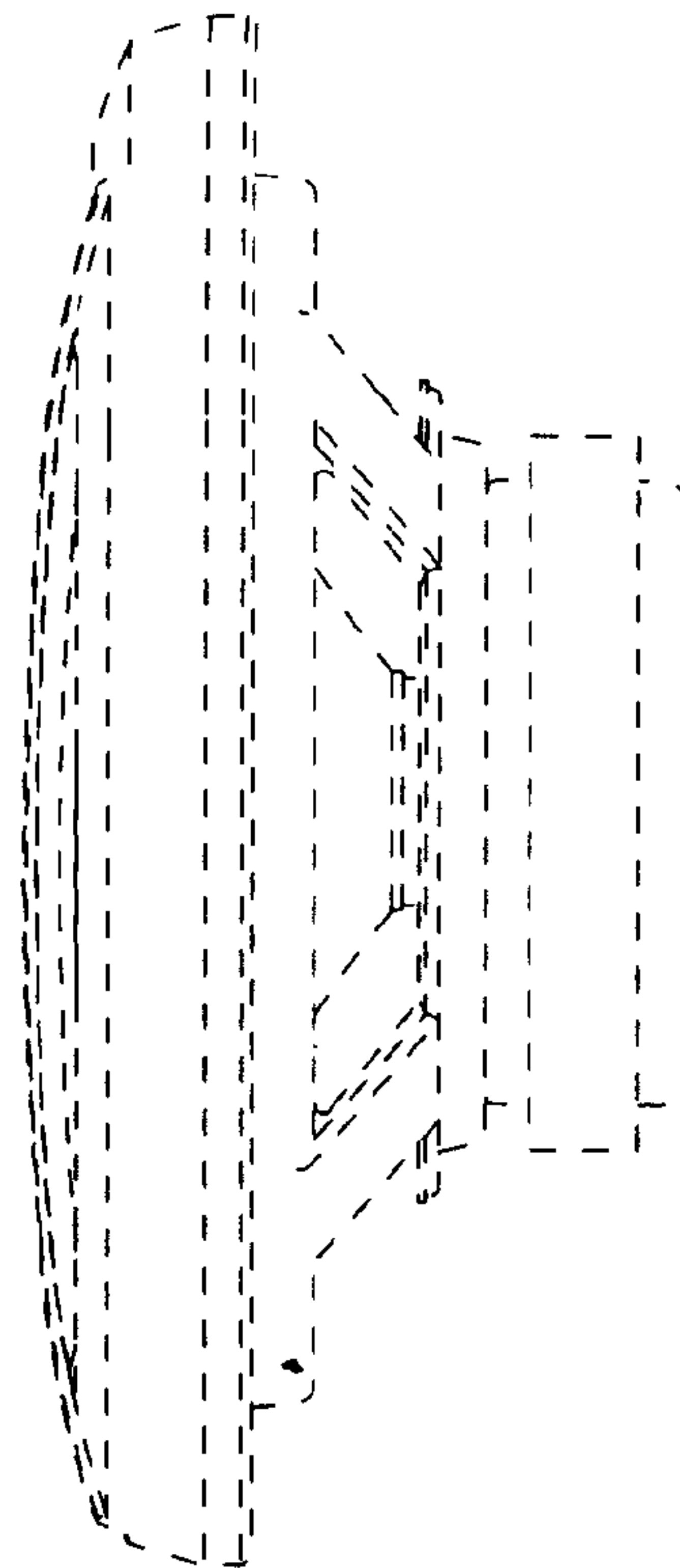


FIG.6

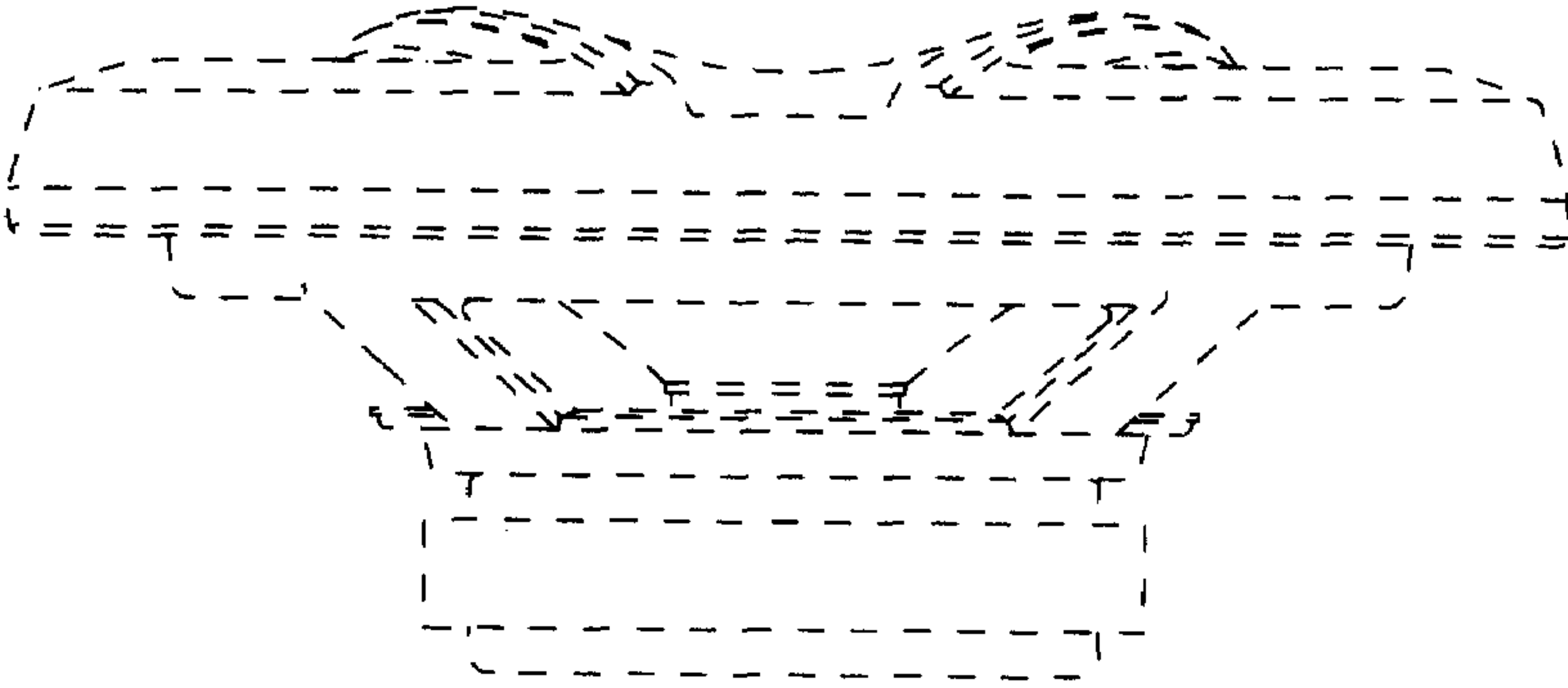


FIG.7

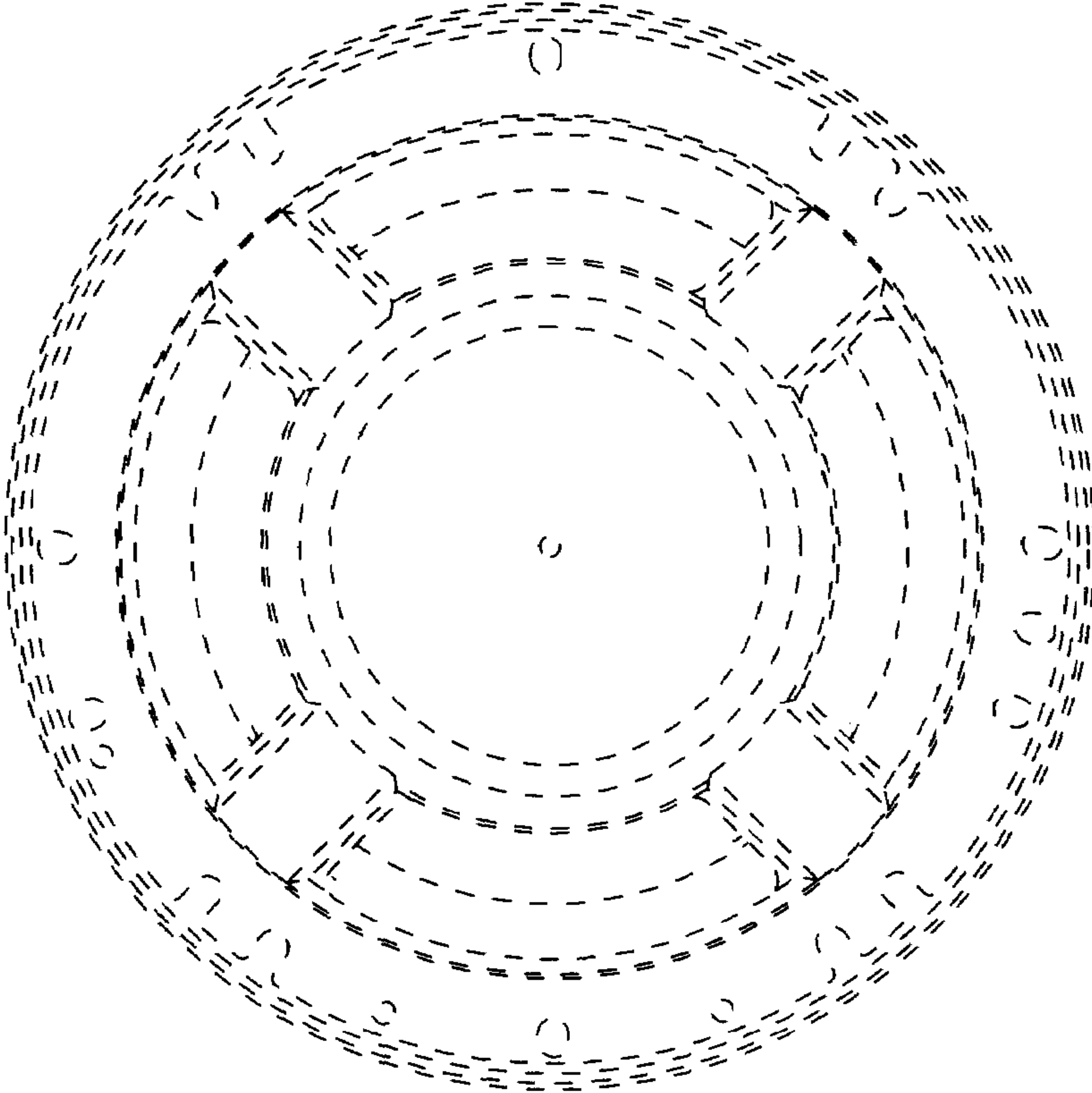


FIG.8

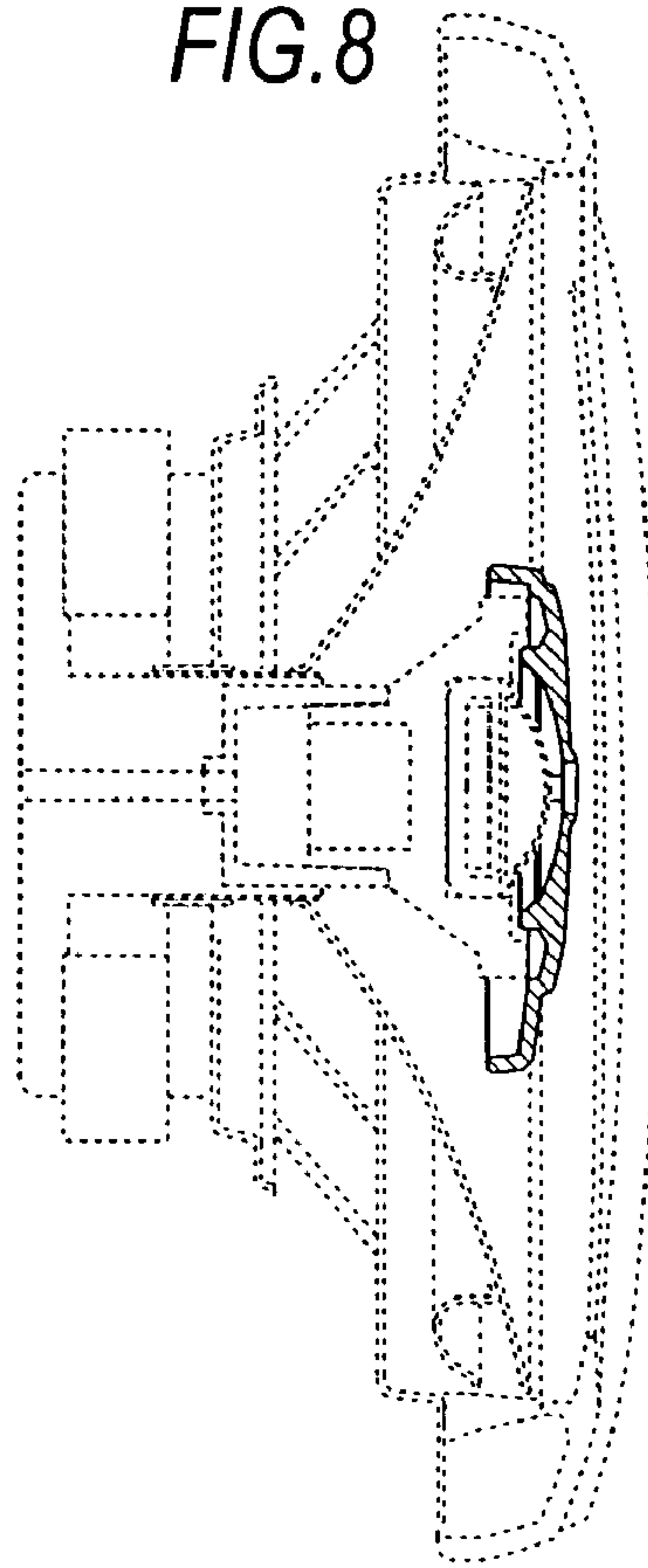


FIG.9

