



US00D550651S

(12) **United States Design Patent** (10) **Patent No.:** **US D550,651 S**
Mizokawa (45) **Date of Patent:** **** Sep. 11, 2007**

(54) **SPEAKER FOR AN AUTOMOBILE** JP D1157505 11/2002
 JP D1159674 12/2002
 (75) Inventor: **Hiroyuki Mizokawa**, Osaka (JP) JP D1191947 12/2003
 JP D1191948 12/2003
 (73) Assignee: **Matsushita Electric Industrial Co., Ltd.**, Osaka (JP) JP D1192160 12/2003
 JP D1192162 12/2003
 JP D1193799 1/2004
 (**) Term: **14 Years** JP D1201052 4/2004
 JP D1201607 4/2004

(21) Appl. No.: **29/260,692**

(22) Filed: **May 31, 2006**

(Continued)

(30) **Foreign Application Priority Data**

Dec. 2, 2005 (JP) 2005-035671

Primary Examiner—Nanda Bondade

(74) *Attorney, Agent, or Firm*—Brinks Hofer Gilson & Lione

(51) **LOC (8) Cl.** **14-01**
 (52) **U.S. Cl.** **D14/216; D14/221**
 (58) **Field of Classification Search** D14/204,
 D14/209–216, 221–222; 181/143–144, 147–148,
 181/150, 157, 198–199, 151, 153; 381/300–302,
 381/306, 333, 345, 361–364, 386–388, 332,
 381/336

(57) **CLAIM**

I claim the ornamental design for a speaker for an automobile, as shown and described.

See application file for complete search history.

DESCRIPTION

(56) **References Cited**

U.S. PATENT DOCUMENTS

D87,689 S 8/1932 Sinel
 D186,670 S 11/1959 Durbin
 D188,542 S 8/1960 Levy et al.
 D197,716 S 3/1964 Boldt et al.
 D253,108 S 10/1979 Schroeder
 D254,252 S * 2/1980 Matsubara D14/216
 D265,086 S 6/1982 Kawachi
 D270,909 S 10/1983 Iijima
 D273,008 S 3/1984 Ishizaki
 D281,065 S * 10/1985 Katsuno D14/215
 D302,695 S * 8/1989 Weissberg et al. D14/222
 4,965,837 A 10/1990 Murayama et al.
 D317,160 S 5/1991 Kurata et al.

FIG. 1 is a top perspective view of a speaker for an automobile of the present invention;
 FIG. 2 is a front view thereof;
 FIG. 3 is a top view thereof;
 FIG. 4 is a bottom view thereof;
 FIG. 5 is a rear view thereof;
 FIG. 6 is a first side view thereof;
 FIG. 7 is a second side view thereof;
 FIG. 8 is a cross-section view taken along the line 8–8' of FIG. 2; and,
 FIG. 9 is a cross-section view taken along the line 9–9' of FIG. 2.

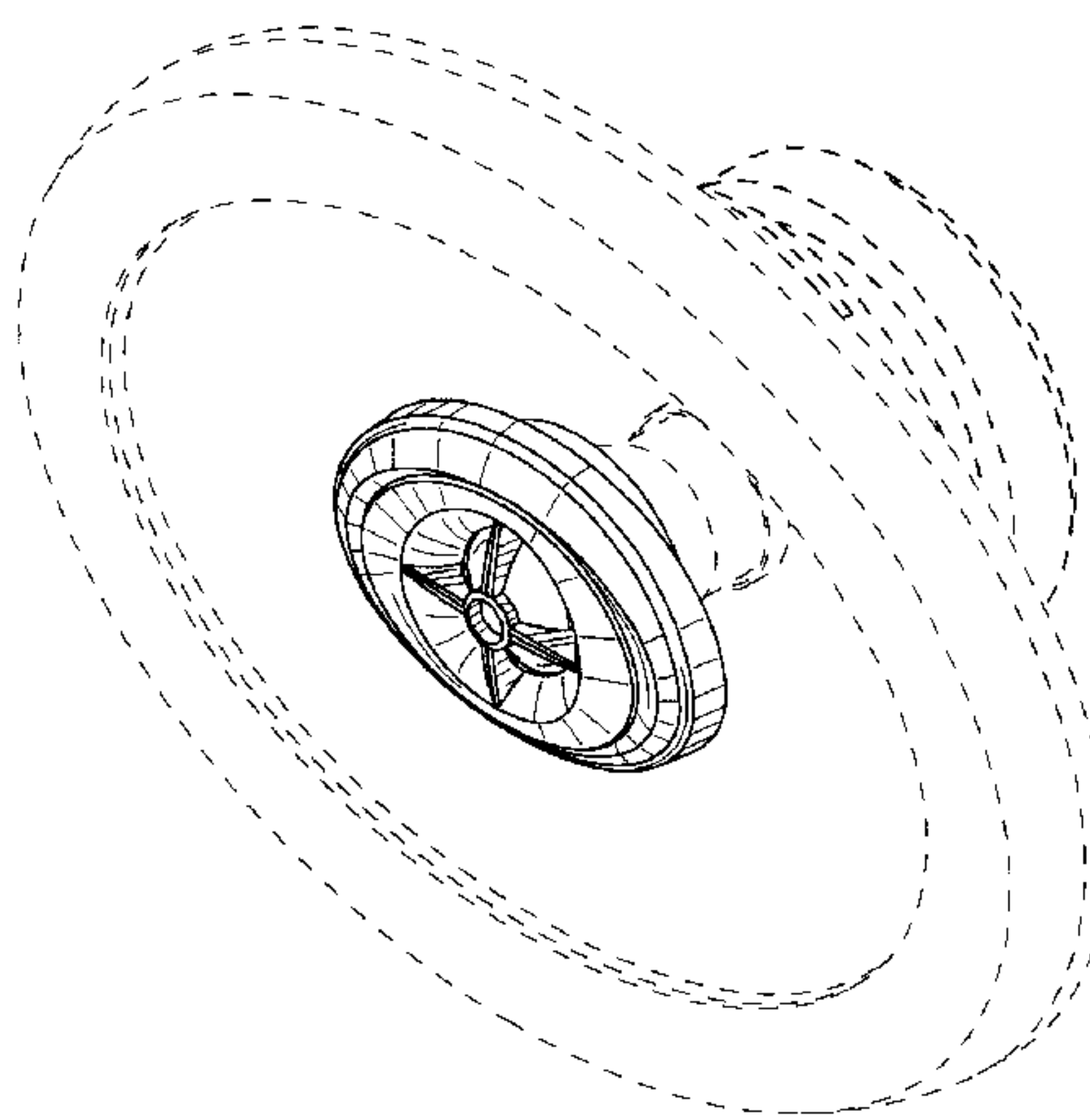
The ornamental design which is claimed is shown in solid lines in the drawings. Any broken lines in the drawings are for illustrative purposes only and form no part of the claimed design.

(Continued)

FOREIGN PATENT DOCUMENTS

JP D1157504 11/2002

1 Claim, 4 Drawing Sheets



US D550,651 S

Page 2

U.S. PATENT DOCUMENTS

D320,020 S 9/1991 Iwano
6,095,278 A * 8/2000 Lin 181/148
6,282,297 B1 8/2001 Lin
D451,908 S 12/2001 Mackie et al.
D465,780 S 11/2002 Shindo
D472,545 S 4/2003 Iijima et al.
D480,070 S 9/2003 Hakoda
D480,710 S 10/2003 Rivera
D488,802 S 4/2004 Uehara et al.
D493,445 S 7/2004 Iijima et al.
D497,902 S 11/2004 Farinelli et al.
D506,748 S 6/2005 Garretson et al.
D506,992 S 7/2005 Suzuki
D506,993 S 7/2005 Suzuki
D507,560 S 7/2005 Sugiyama
D509,213 S 9/2005 Hasbrook
D510,084 S 9/2005 Hasbrook

D523,422 S 6/2006 Ishikawa et al.

FOREIGN PATENT DOCUMENTS

JP D1223330 11/2004
JP D1223331 11/2004
JP D1241403 6/2005
JP D1241405 6/2005
JP D1244078 6/2005
JP D1244110 6/2005
JP D1245202 7/2005
JP D1247477 8/2005
JP D1247478 8/2005
JP D1247584 8/2005
JP D1247585 8/2005
JP D1256577 11/2005
JP D1256578 11/2005

* cited by examiner

FIG. 1

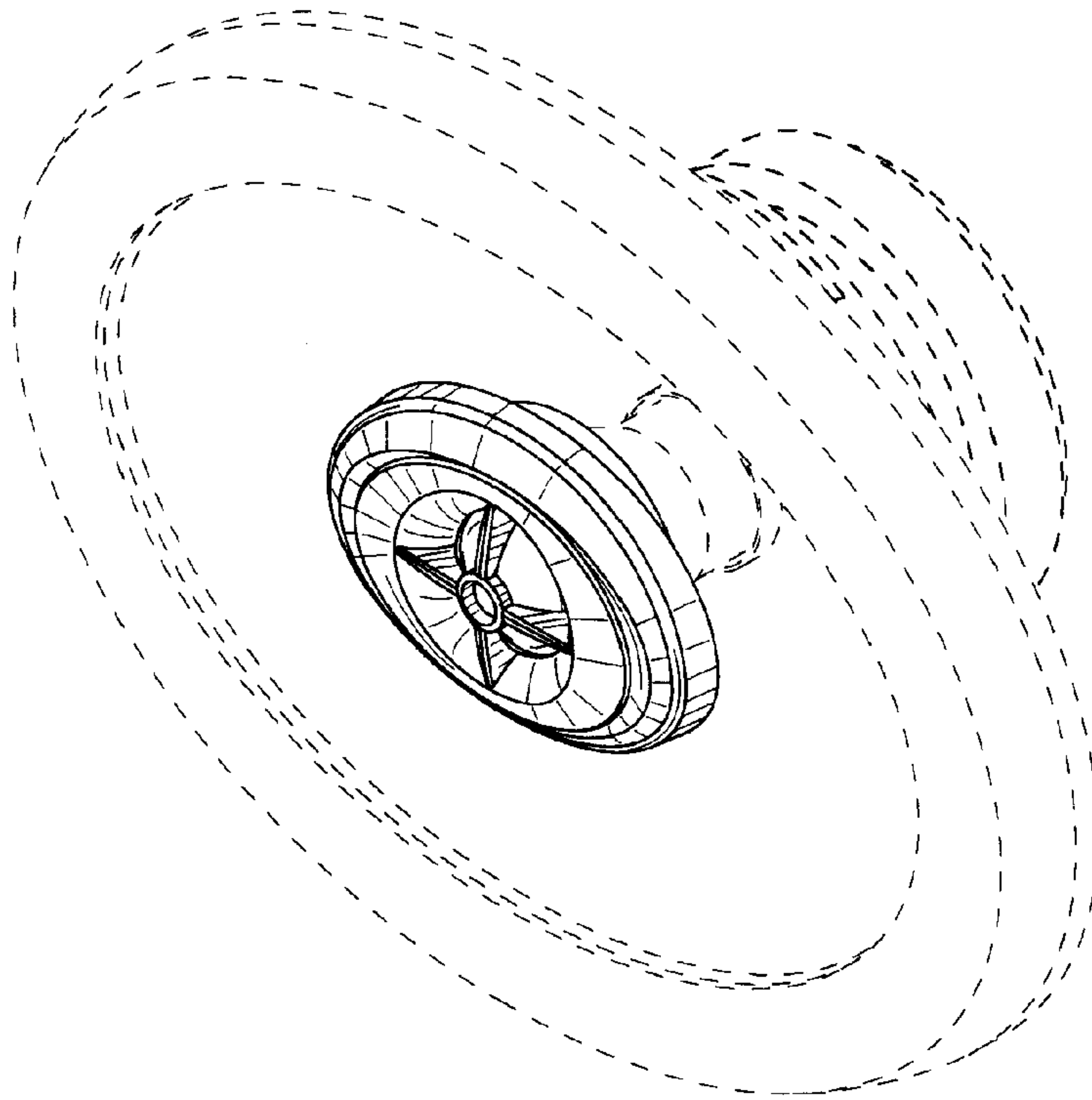


FIG. 2

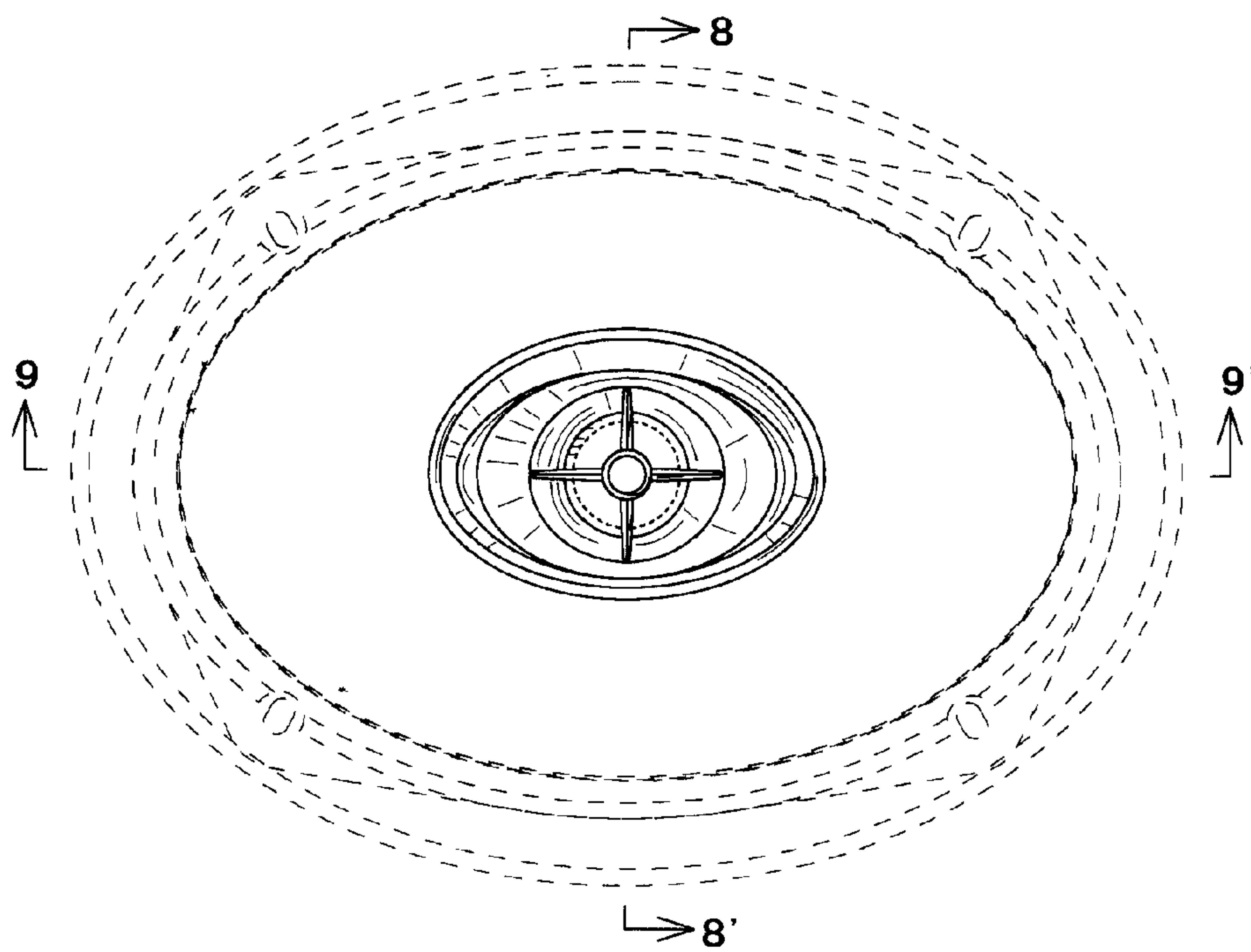


FIG.3

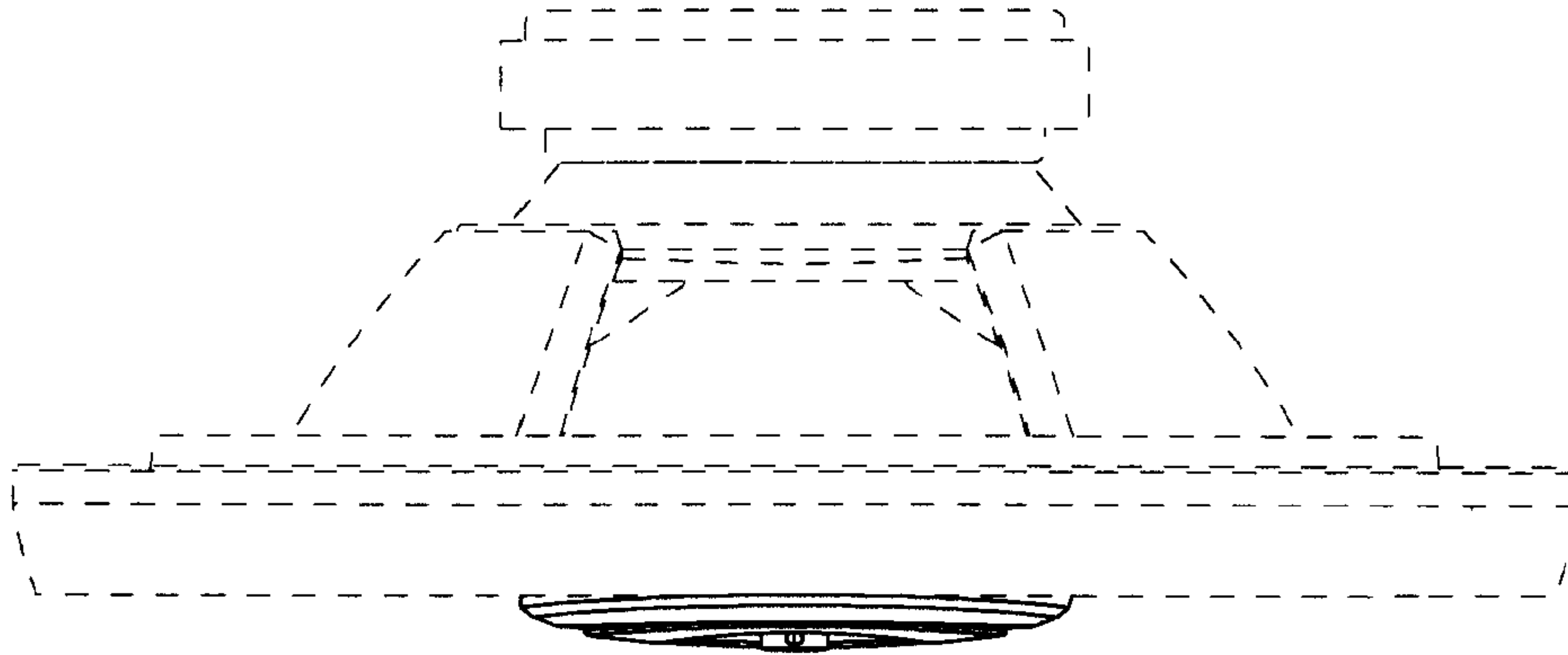


FIG.4

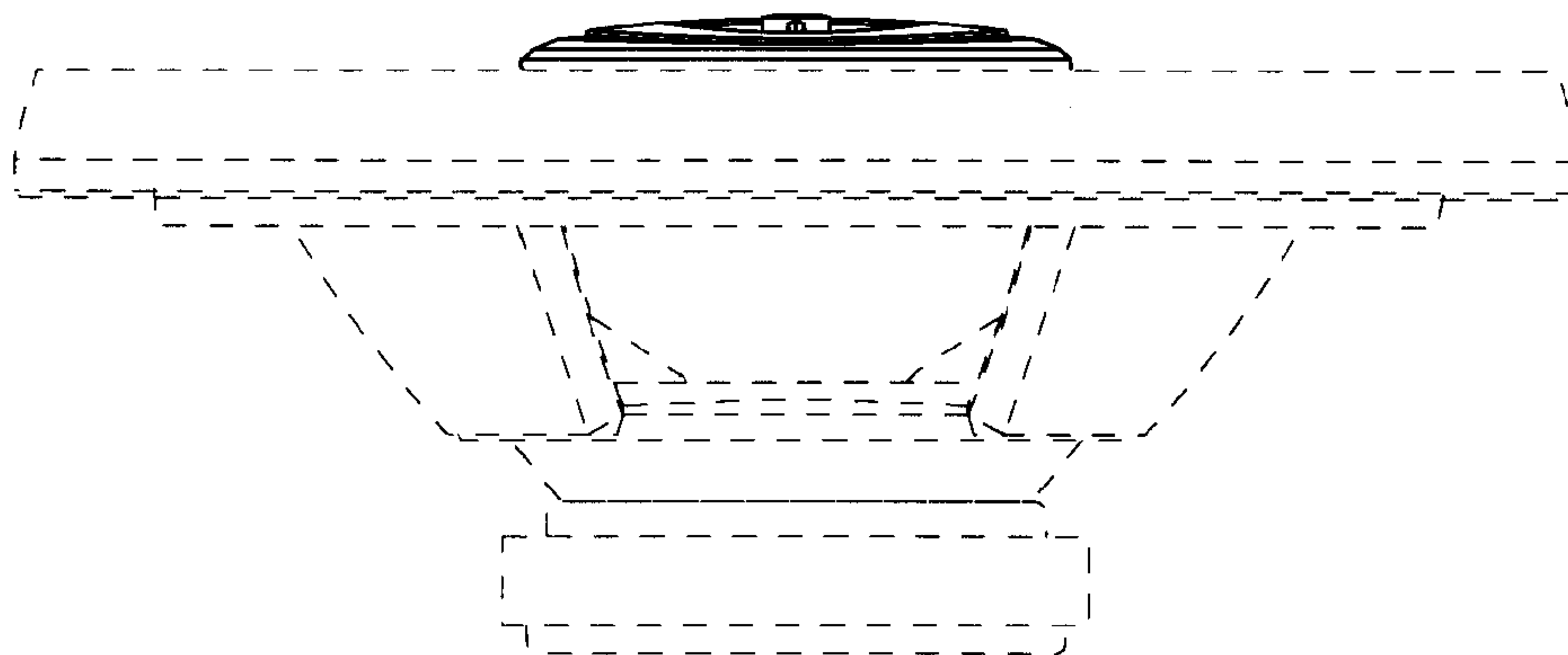


FIG.5

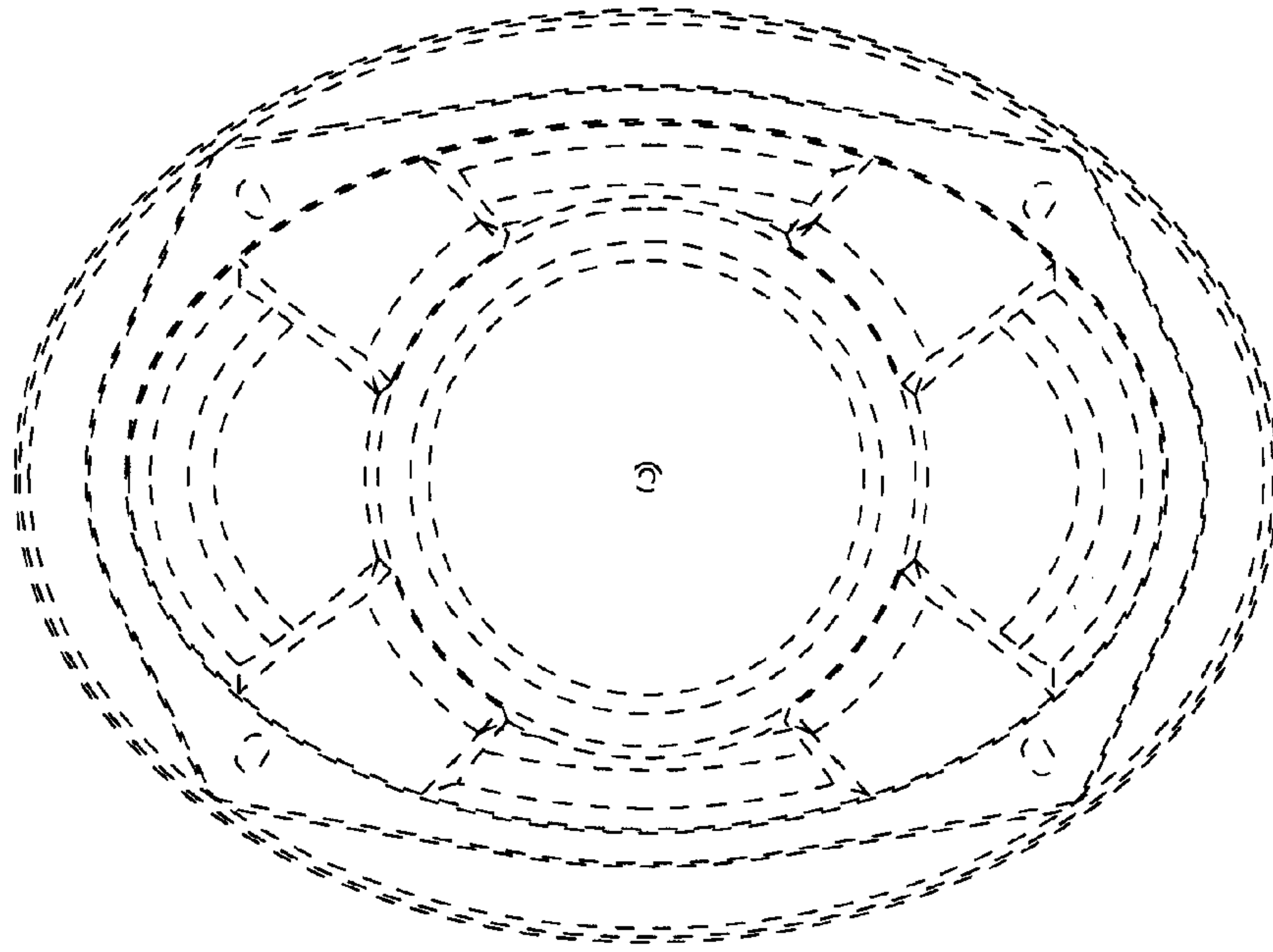


FIG.6

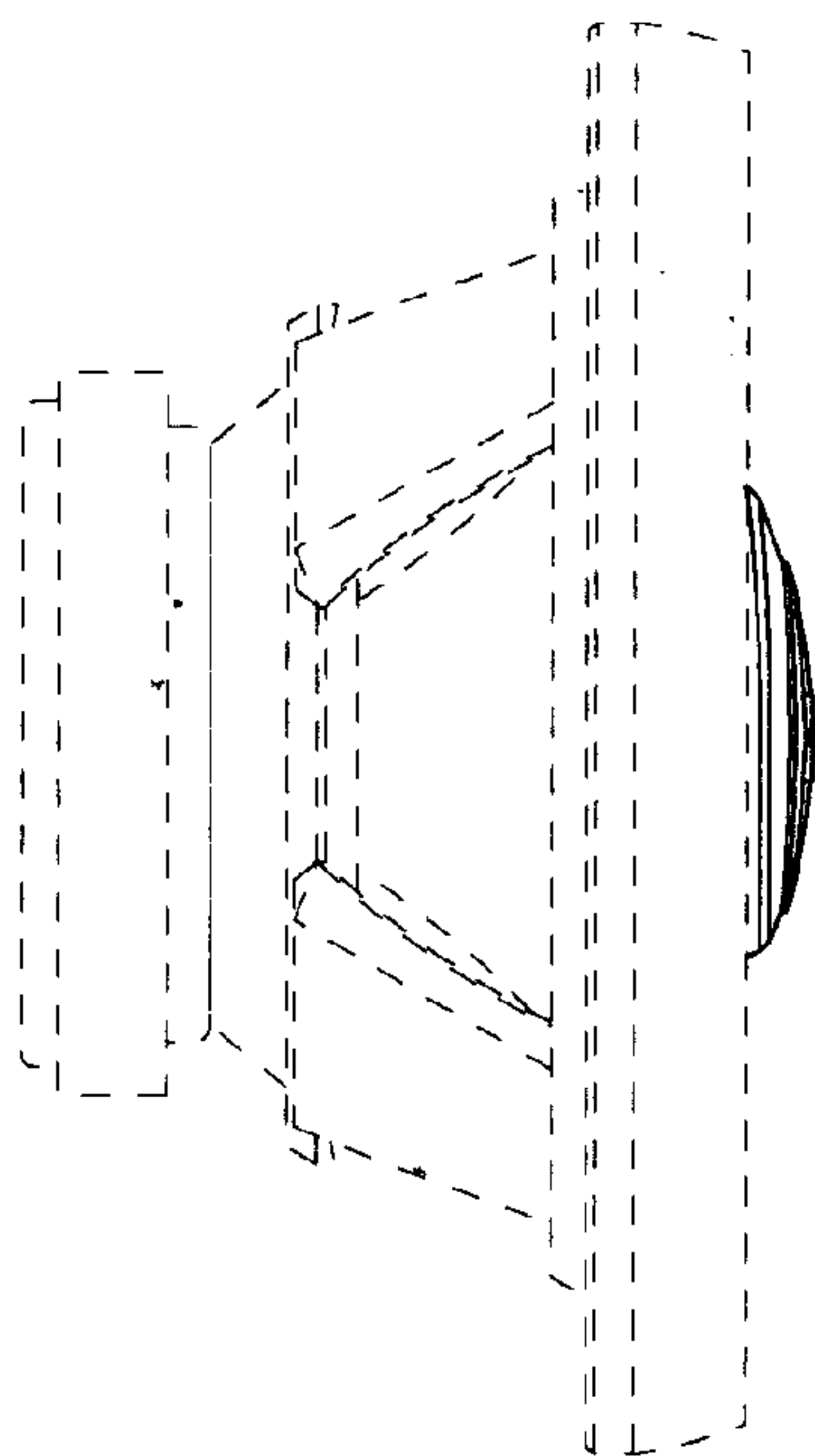


FIG.7

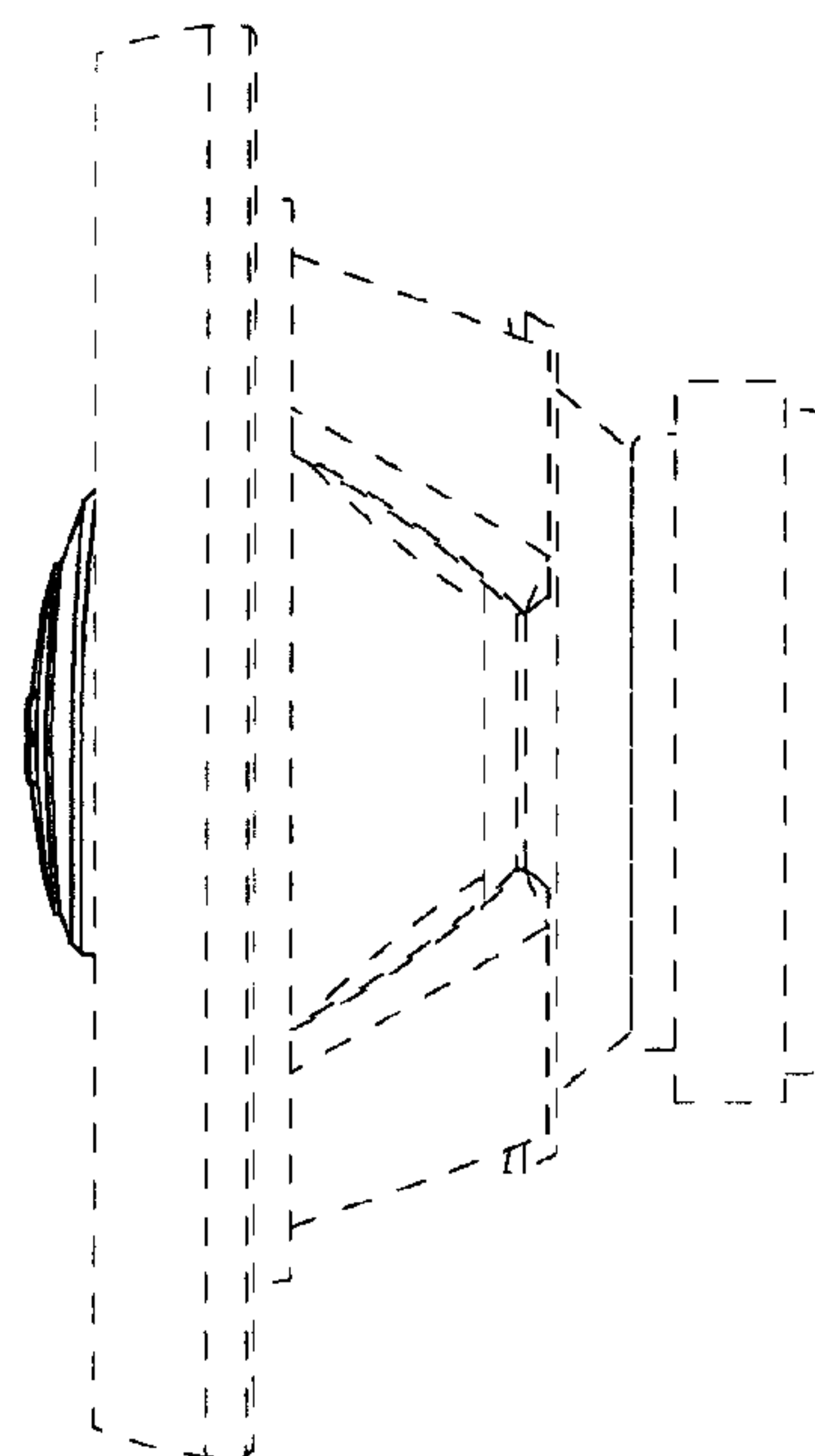


FIG.8

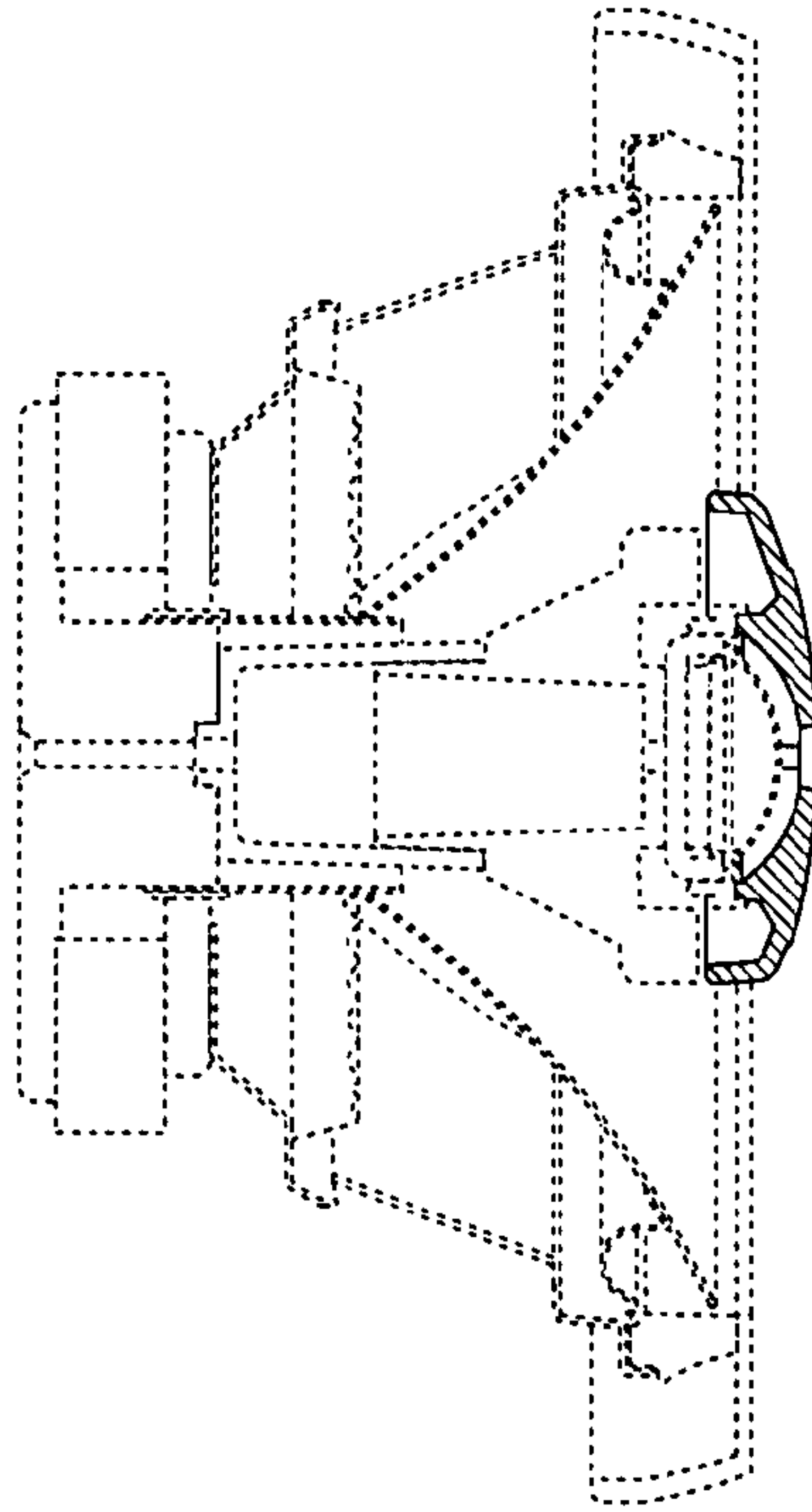


FIG.9

