



US00D550645S

(12) **United States Design Patent**
Tsuge

(10) **Patent No.:** **US D550,645 S**

(45) **Date of Patent:** **** Sep. 11, 2007**

(54) **DISC PLAYER**

(75) Inventor: **Takahiro Tsuge**, Tokyo (JP)

(73) Assignee: **Sony Corporation**, Tokyo (JP)

(**) Term: **14 Years**

(21) Appl. No.: **29/258,583**

(22) Filed: **Apr. 25, 2006**

(30) **Foreign Application Priority Data**

Dec. 8, 2005 (JP) D2005-036285

(51) **LOC (8) Cl.** **14-01**

(52) **U.S. Cl.** **D14/156**

(58) **Field of Classification Search** D14/135-136,
D14/156-157, 160-165, 167-168, 192-198,
D14/188, 496, 445; 360/99.02, 99.07; 369/75.11,
369/75.21, 77.21, 77.11; 720/612, 619, 647,
720/655; 455/344, 347-351

See application file for complete search history.

(56) **References Cited**

U.S. PATENT DOCUMENTS

D441,735 S * 5/2001 Katayama D14/156
D463,785 S * 10/2002 Lee D14/214
D469,751 S * 2/2003 Kimura D14/156

D497,895 S 11/2004 Tejima
D509,818 S 9/2005 Oikawa
D513,612 S * 1/2006 Harris et al. D14/168
D516,537 S * 3/2006 Katsuraku D14/168

FOREIGN PATENT DOCUMENTS

JP D1225620 S 12/2004

* cited by examiner

Primary Examiner—Nanda Bondade

(74) *Attorney, Agent, or Firm*—Rader, Fishman & Grauer
PLLC

(57) **CLAIM**

The ornamental design for a disc player, as shown.

DESCRIPTION

FIG. 1 is a perspective view of a disc player showing my new design;

FIG. 2 is a front elevational view thereof;

FIG. 3 is a rear elevational view thereof;

FIG. 4 is a left side elevational view thereof;

FIG. 5 is a right side elevational view thereof;

FIG. 6 is a top plan view thereof; and,

FIG. 7 is a bottom plan view thereof.

1 Claim, 7 Drawing Sheets

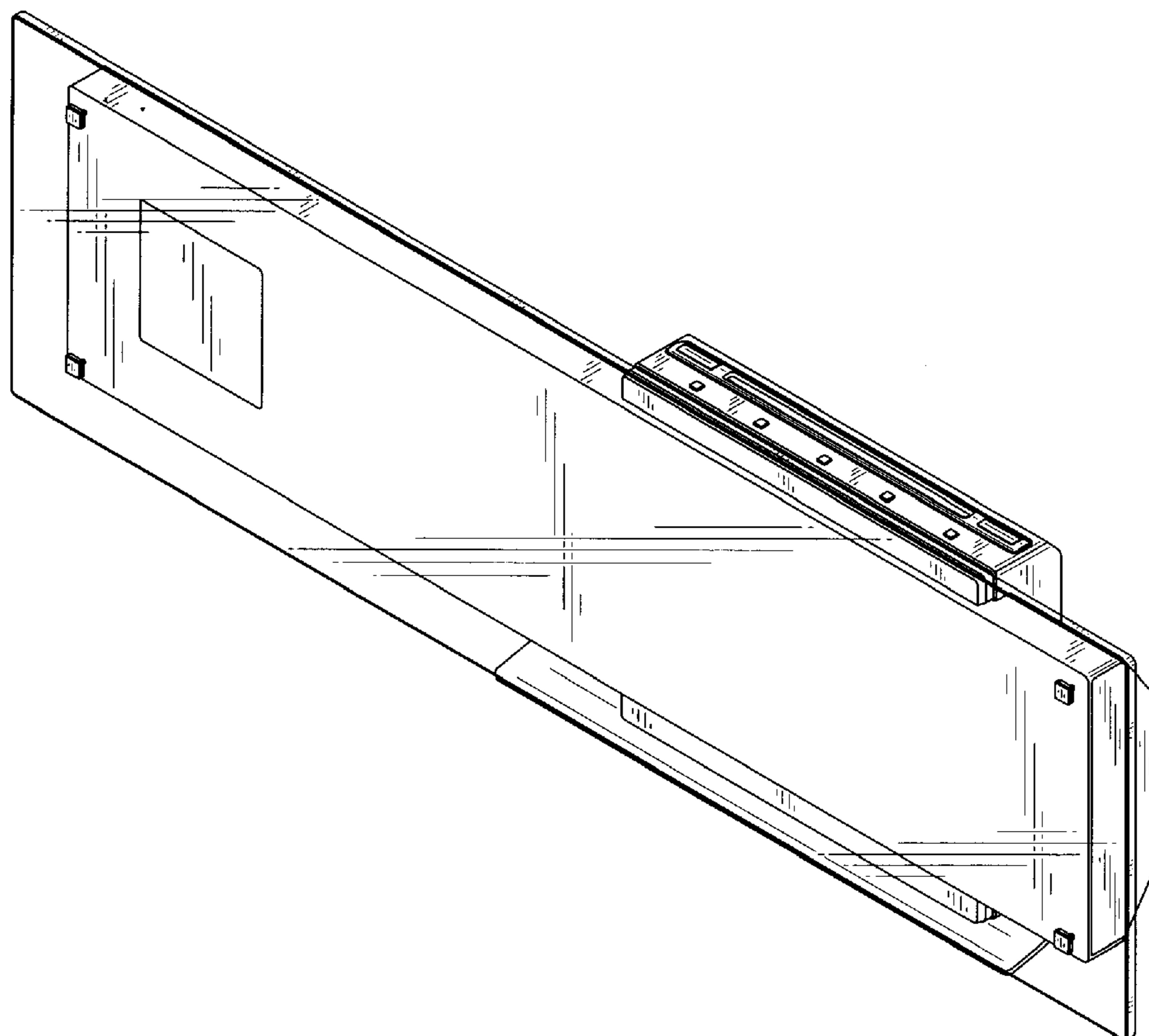


Fig.1

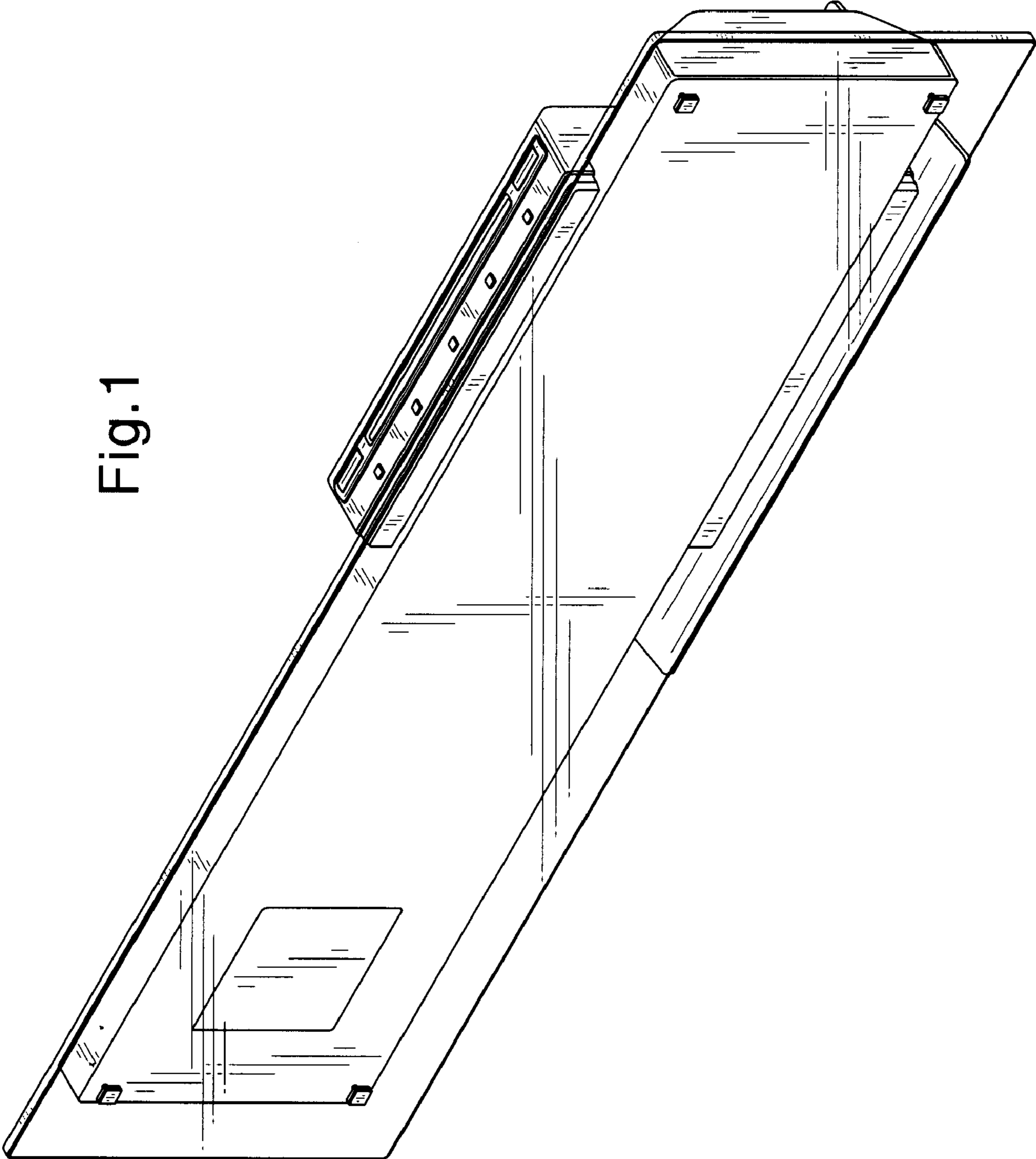


Fig.2

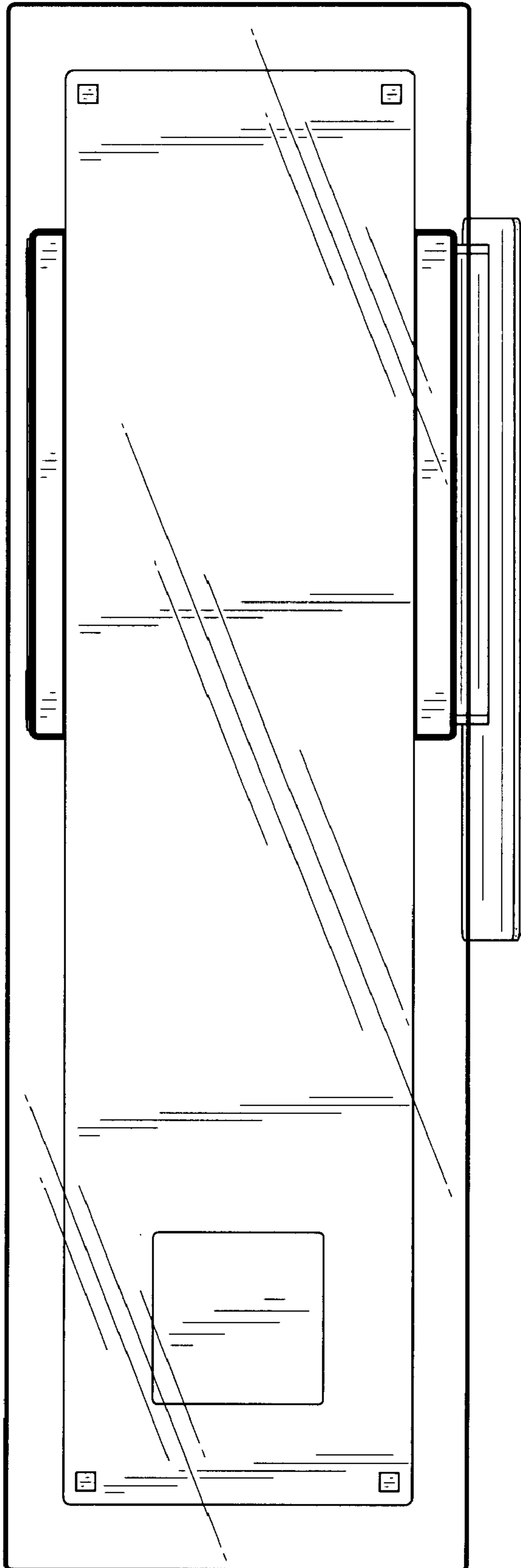


Fig. 3

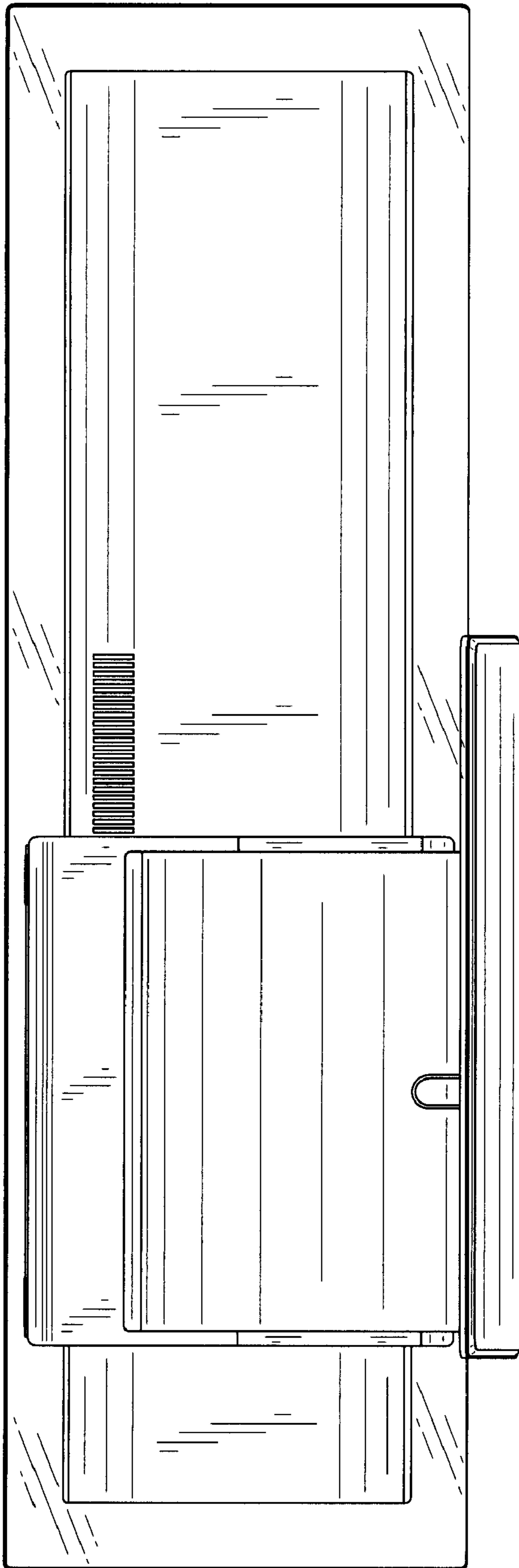


Fig.4

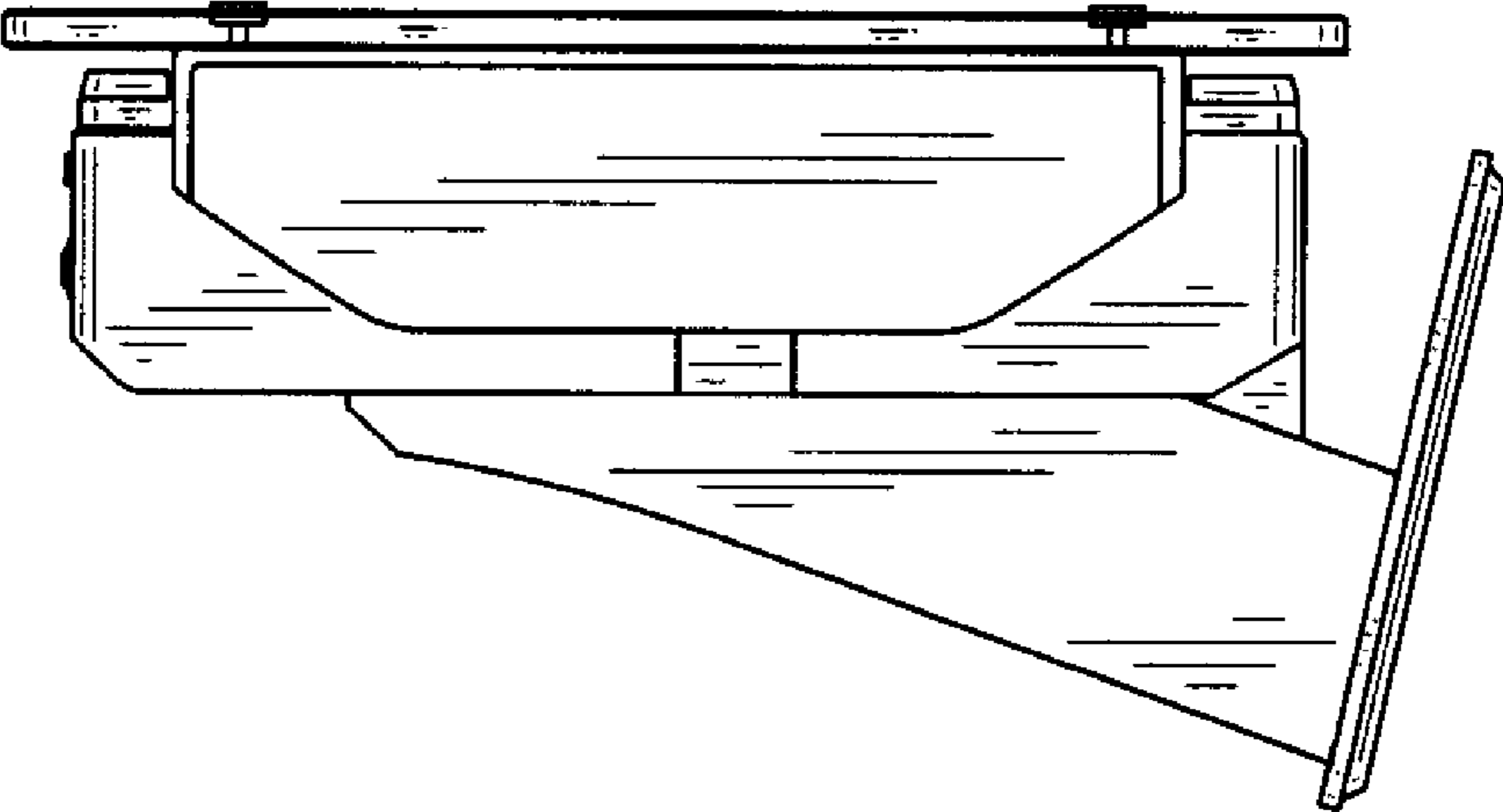


Fig. 5

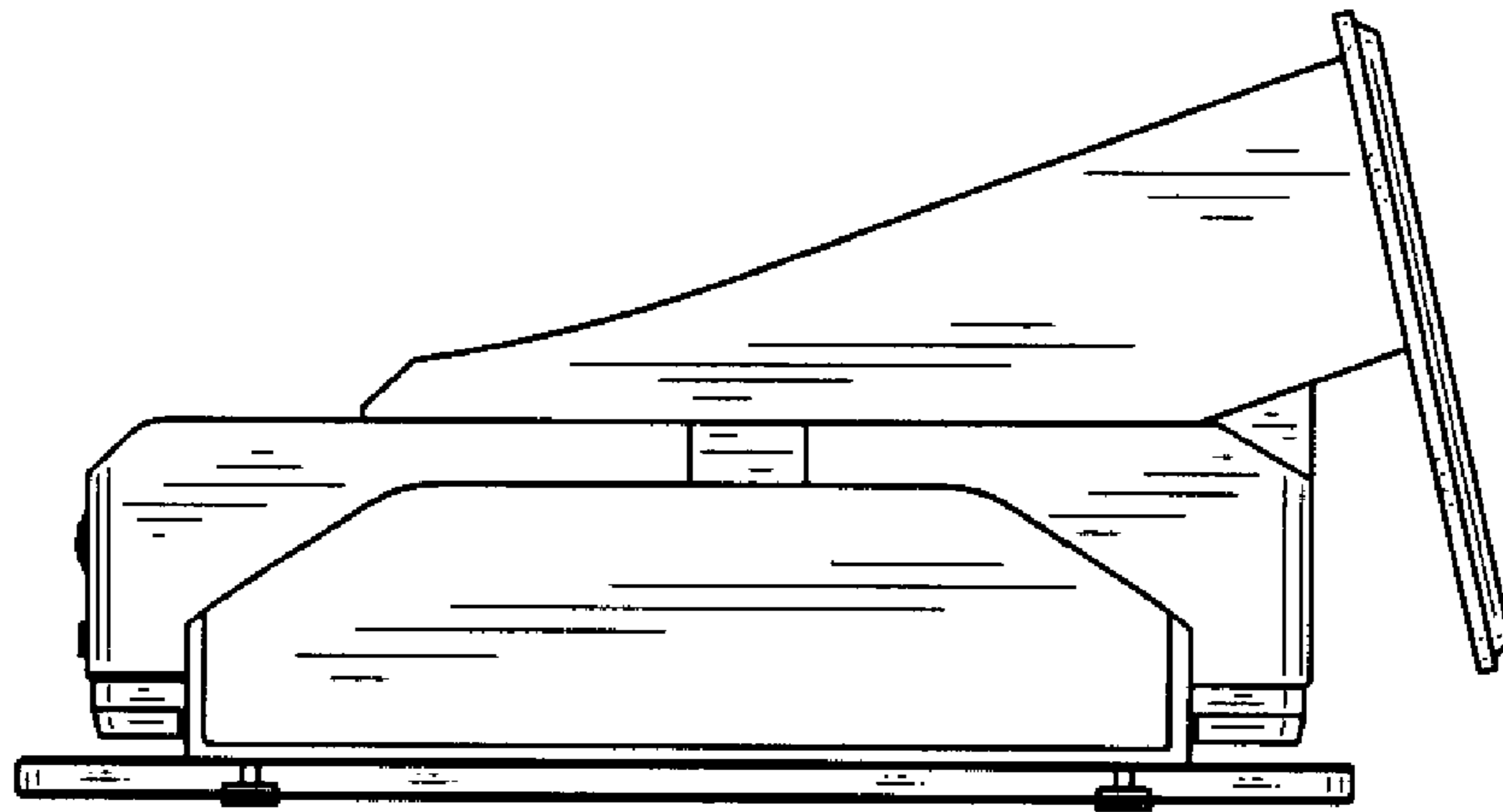


Fig.6

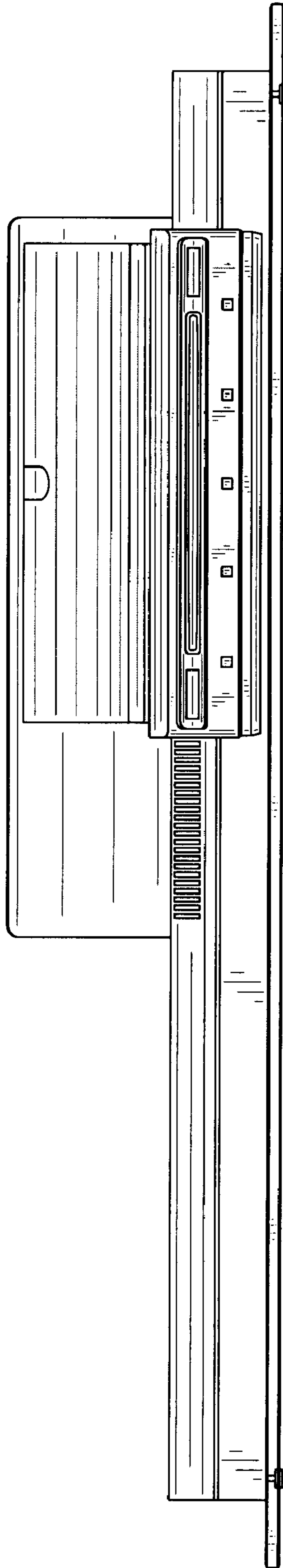


Fig.7

