



US00D550644S

(12) **United States Design Patent**
Cho et al.

(10) **Patent No.:** **US D550,644 S**

(45) **Date of Patent:** **** Sep. 11, 2007**

(54) **KEYPHONE**

(75) Inventors: **Chul-Yong Cho**, Seoul (KR);
Kyung-Hoon Lee, Seoul (KR);
Eui-Hoon Kim, Seoul (KR)

(73) Assignee: **Samsung Electronics Co., Ltd.**,
Kyunggi-do (KR)

(**) Term: **14 Years**

(21) Appl. No.: **29/256,663**

(22) Filed: **Mar. 23, 2006**

(51) **LOC (8) Cl.** **14-03**

(52) **U.S. Cl.** **D14/151**

(58) **Field of Classification Search** D14/125-130,
D14/140-140.1, 142, 144, 140.7-140.11,
D14/149-151, 240, 248; 379/419, 420.01,
379/434-436, 428.01-428.04, 440-442,
379/454-455, 88.17, 90.01, 93.17; 382/103;
455/566

See application file for complete search history.

(56) **References Cited**

U.S. PATENT DOCUMENTS

D293,103	S	*	12/1987	Gauffin et al.	D14/151
D299,342	S	*	1/1989	Buchin	D14/151
D302,815	S	*	8/1989	Goatman	D14/151
D338,200	S	*	8/1993	Inukai	D14/151
D345,558	S	*	3/1994	Hillenmayer et al.	D14/151
D359,490	S	*	6/1995	Arakaki et al.	D14/146
D365,560	S	*	12/1995	Buchin	D14/151
D375,095	S	*	10/1996	Hillenmayer et al.	D14/151

D413,119	S	*	8/1999	Schnell et al.	D14/151
D457,509	S	*	5/2002	Ohwada et al.	D14/151
6,445,793	B1	*	9/2002	Vassallo et al.	379/428.01
D464,035	S	*	10/2002	Nam	D14/151
2006/0058003	A1	*	3/2006	Lee	455/403

OTHER PUBLICATIONS

U.S. Appl. No. 29/256,664, Applicant: Tai-Hyung Ju, filed Mar. 23, 2006 entitled Telephone.

* cited by examiner

Primary Examiner—Jeffrey D. Asch

Assistant Examiner—Carla Jobe Wright

(74) *Attorney, Agent, or Firm*—Flynn, Thiel, Boutell & Tanis, P.C.

(57) **CLAIM**

The ornamental design for a keyphone, as shown and described.

DESCRIPTION

FIG. 1 is a top front perspective view of a keyphone showing our new design;

FIG. 2 is a front elevational view thereof;

FIG. 3 is a rear elevational view thereof;

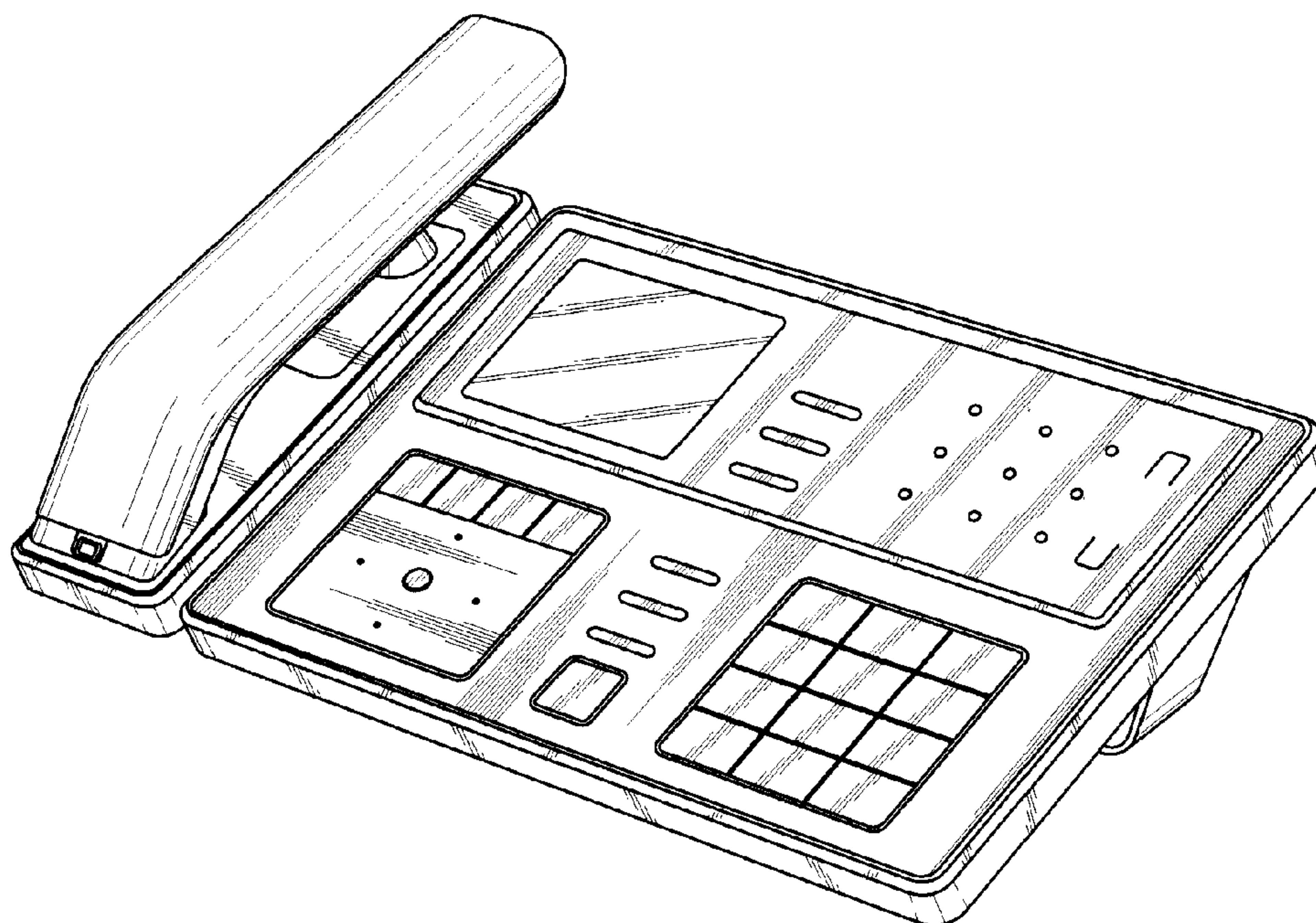
FIG. 4 is a left side elevational view thereof;

FIG. 5 is a right side elevational view thereof;

FIG. 6 is a top plan view thereof; and,

FIG. 7 is a bottom plan view thereof.

1 Claim, 4 Drawing Sheets



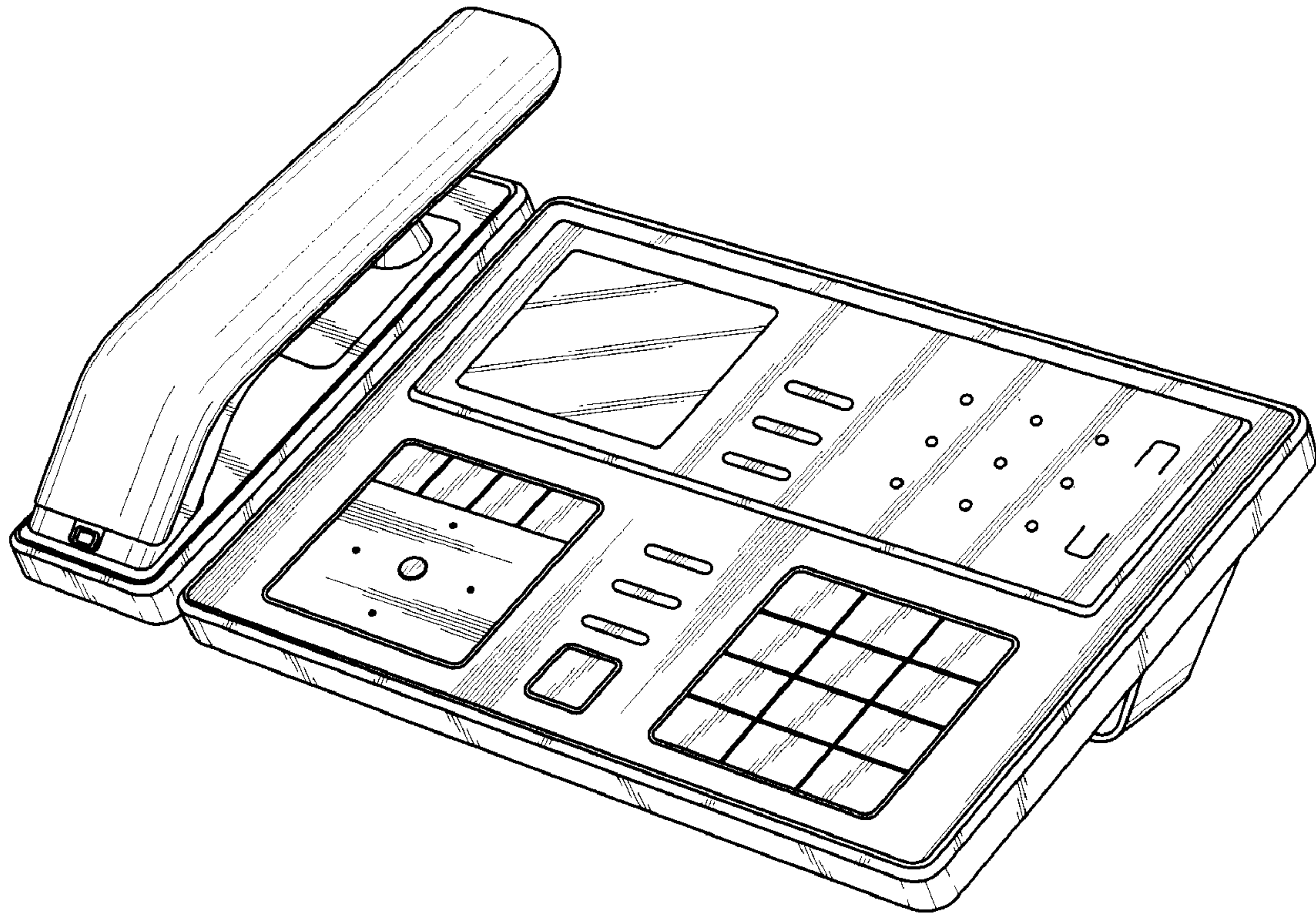


FIG. 1

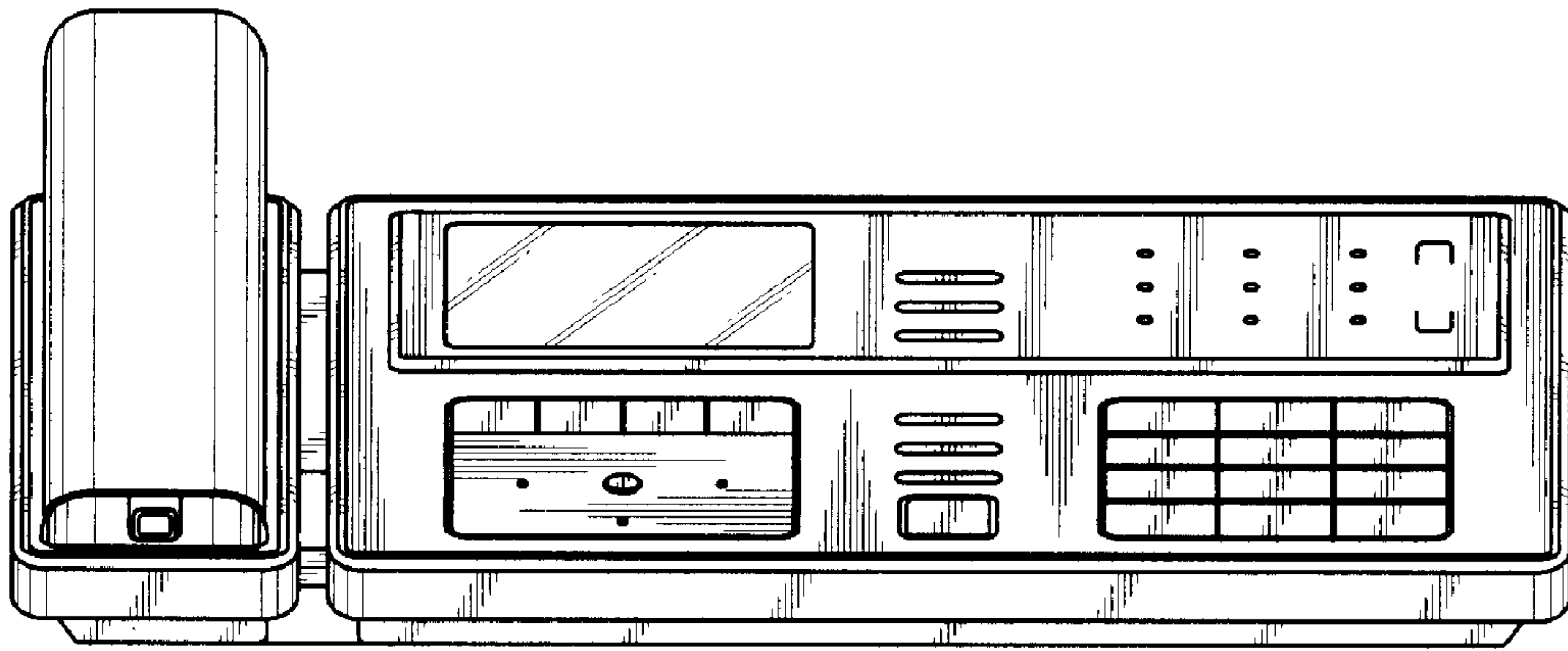


FIG. 2

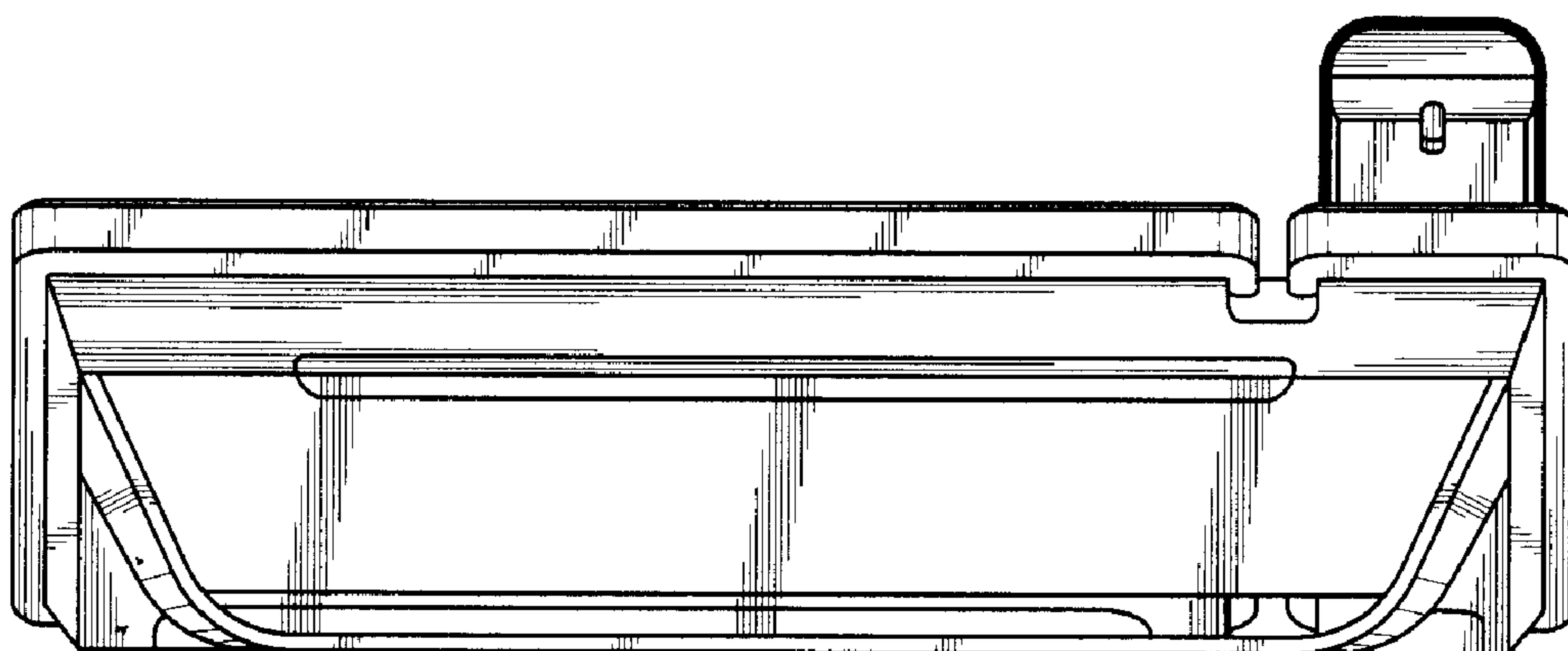


FIG. 3

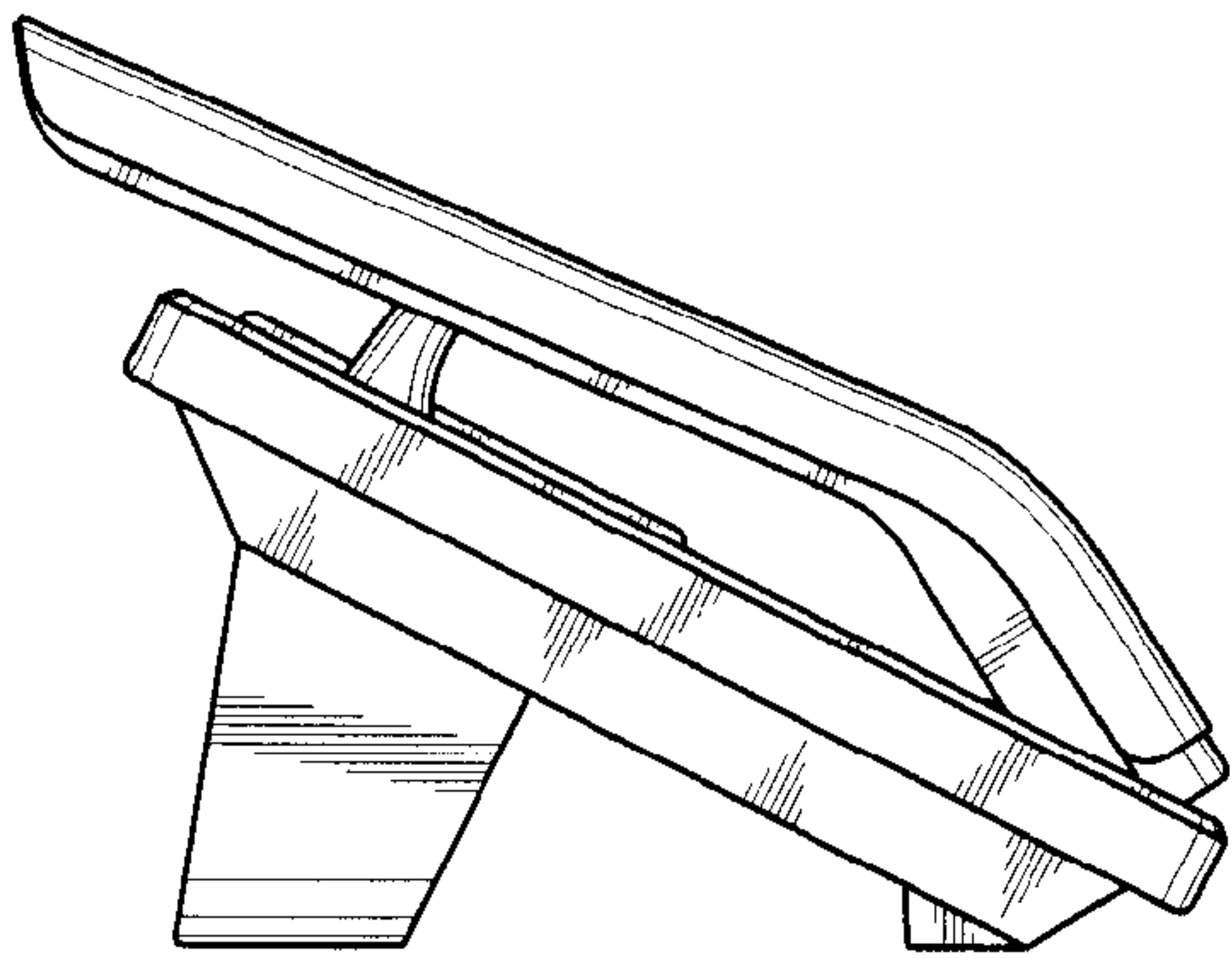


FIG. 4

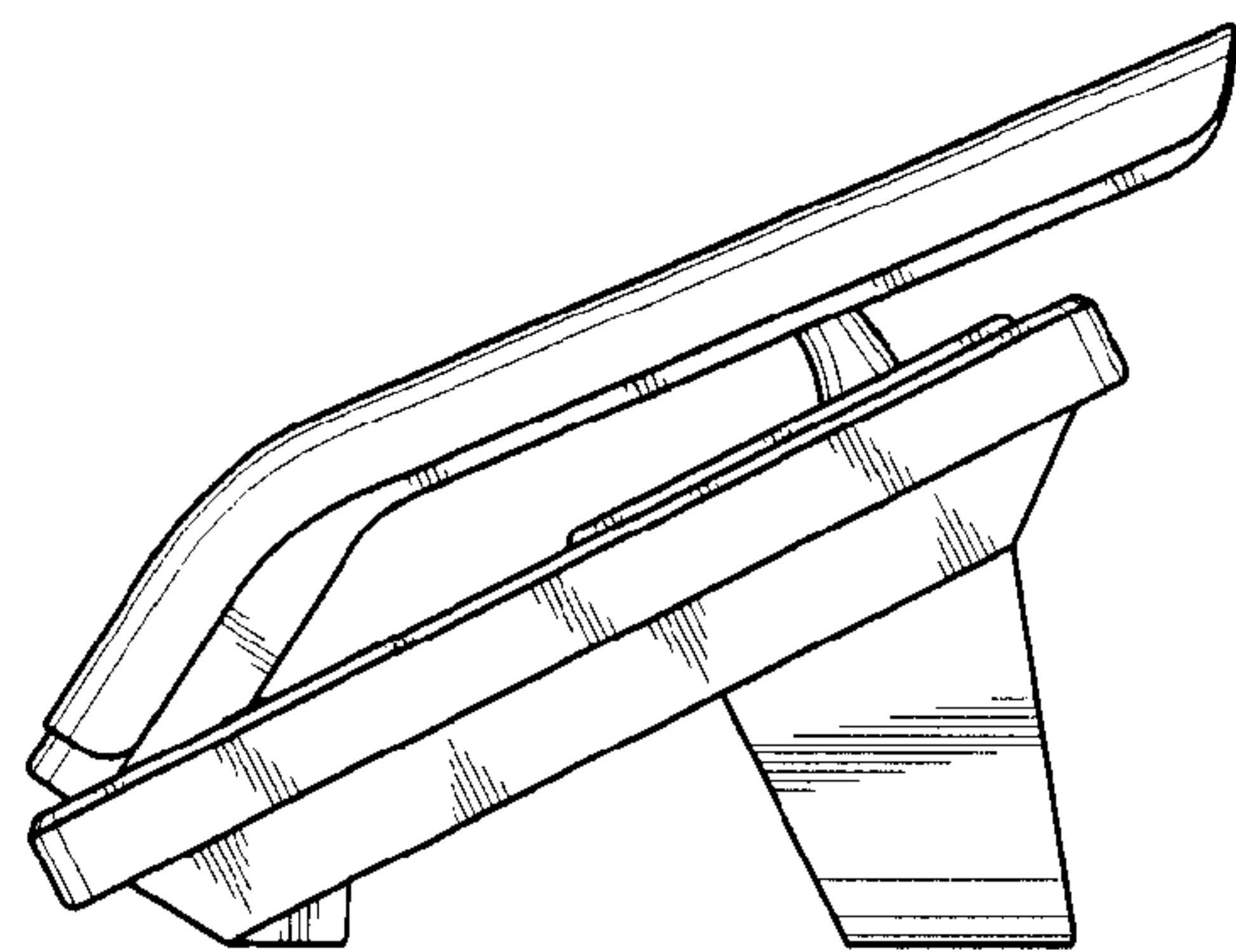


FIG. 5

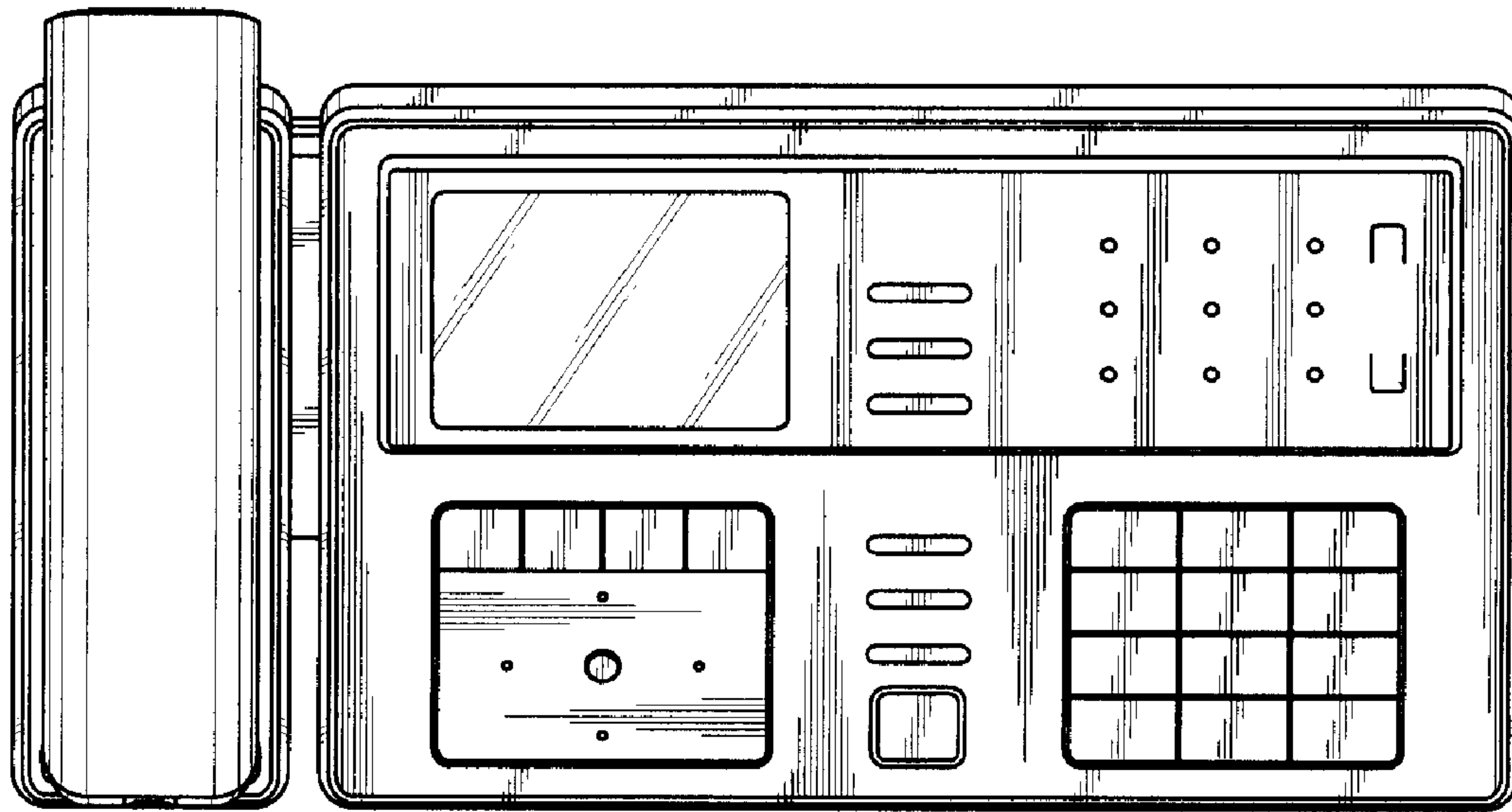


FIG. 6

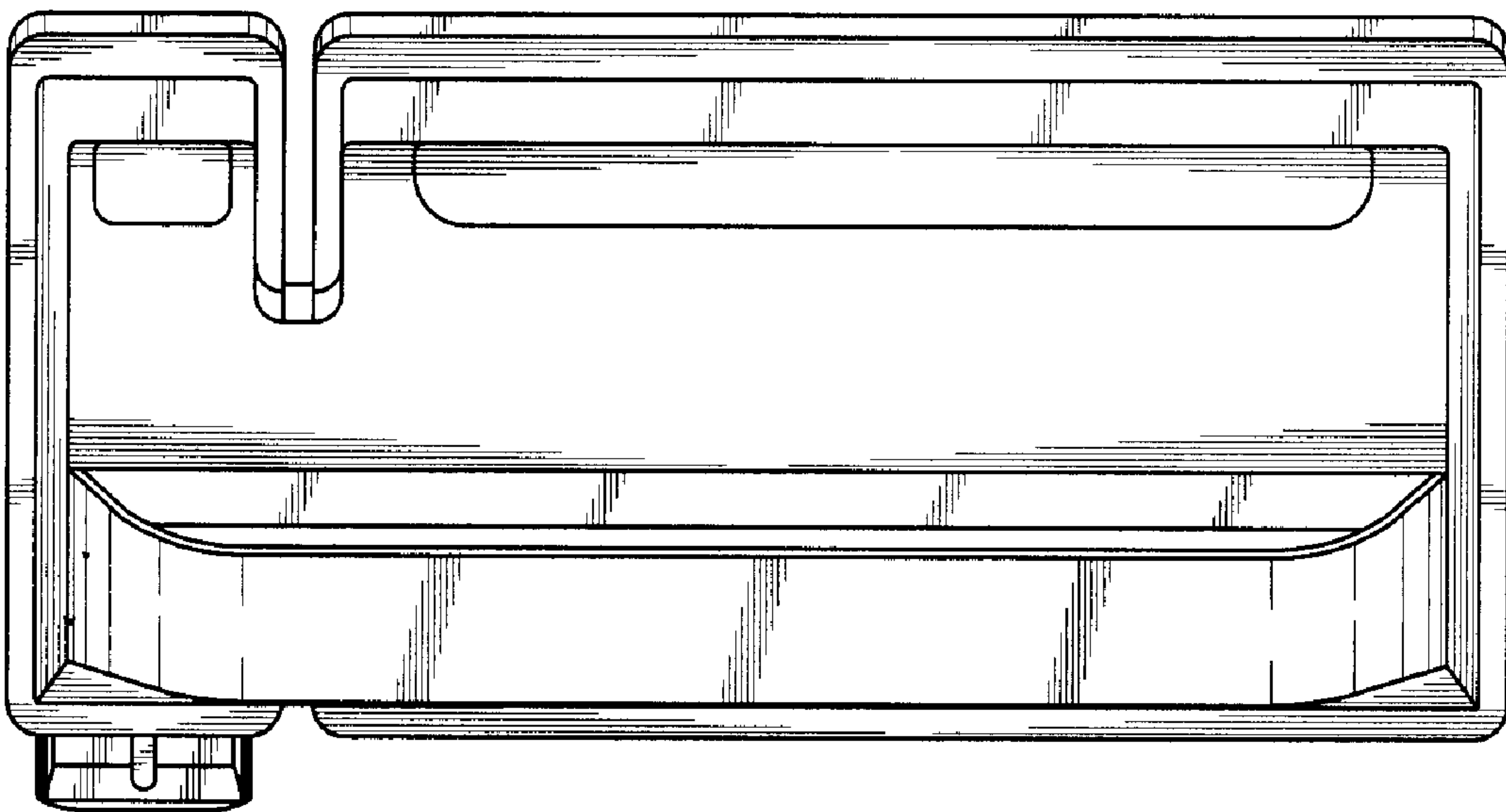


FIG. 7