



US00D550636S

(12) **United States Design Patent**
DeMaio et al.

(10) **Patent No.:** **US D550,636 S**

(45) **Date of Patent:** **** Sep. 11, 2007**

(54) **PORTION OF A MONITOR**

(75) Inventors: **Pasquale DeMaio**, Bellevue, WA (US);
Steven T. Kaneko, Medina, WA (US);
Oliver Grabes, Seattle, WA (US);
Fernd van Engelen, Bothell, WA (US);
Isabelo V. de los Reyes, Bellevue, WA
(US); **Carl J. Ledbetter**, Mercer Island,
WA (US)

(73) Assignee: **Microsoft Corporation**, Redmond, WA
(US)

(**) Term: **14 Years**

(21) Appl. No.: **29/246,036**

(22) Filed: **Jan. 4, 2006**

(51) **LOC (8) Cl.** **14-03**

(52) **U.S. Cl.** **D14/126; D14/129; D14/133**

(58) **Field of Classification Search** D14/125-134,
D14/239, 371, 136, 374-377; 312/7.2; 348/836,
348/838, 180, 184, 325, 739; 341/12; 248/917-924,
248/465; 345/104, 133, 156, 168, 87, 173;
720/605, 669, 600, 655; 369/99, 197; 455/344-347
See application file for complete search history.

(56) **References Cited**

U.S. PATENT DOCUMENTS

D362,236 S * 9/1995 Dann et al. D14/336
5,582,373 A * 12/1996 Baudot 248/166

D456,369 S * 4/2002 Joe D14/126
D460,056 S * 7/2002 Niitsu D14/126
D513,501 S * 1/2006 Asanuma et al. D14/129
D534,137 S * 12/2006 Izumi D14/126
D539,767 S * 4/2007 Kang et al. D14/128
D540,275 S * 4/2007 Lewis D14/126

* cited by examiner

Primary Examiner—Raphael Barkai

(74) *Attorney, Agent, or Firm*—Banner & Witcoff, Ltd.

(57) **CLAIM**

The ornamental design for a portion of a monitor, as shown
and described.

DESCRIPTION

FIG. 1 is a front perspective view of a portion of a monitor
showing our new design;

FIG. 2 is a front view thereof;

FIG. 3 is a right side view thereof;

FIG. 4 is a left side view thereof;

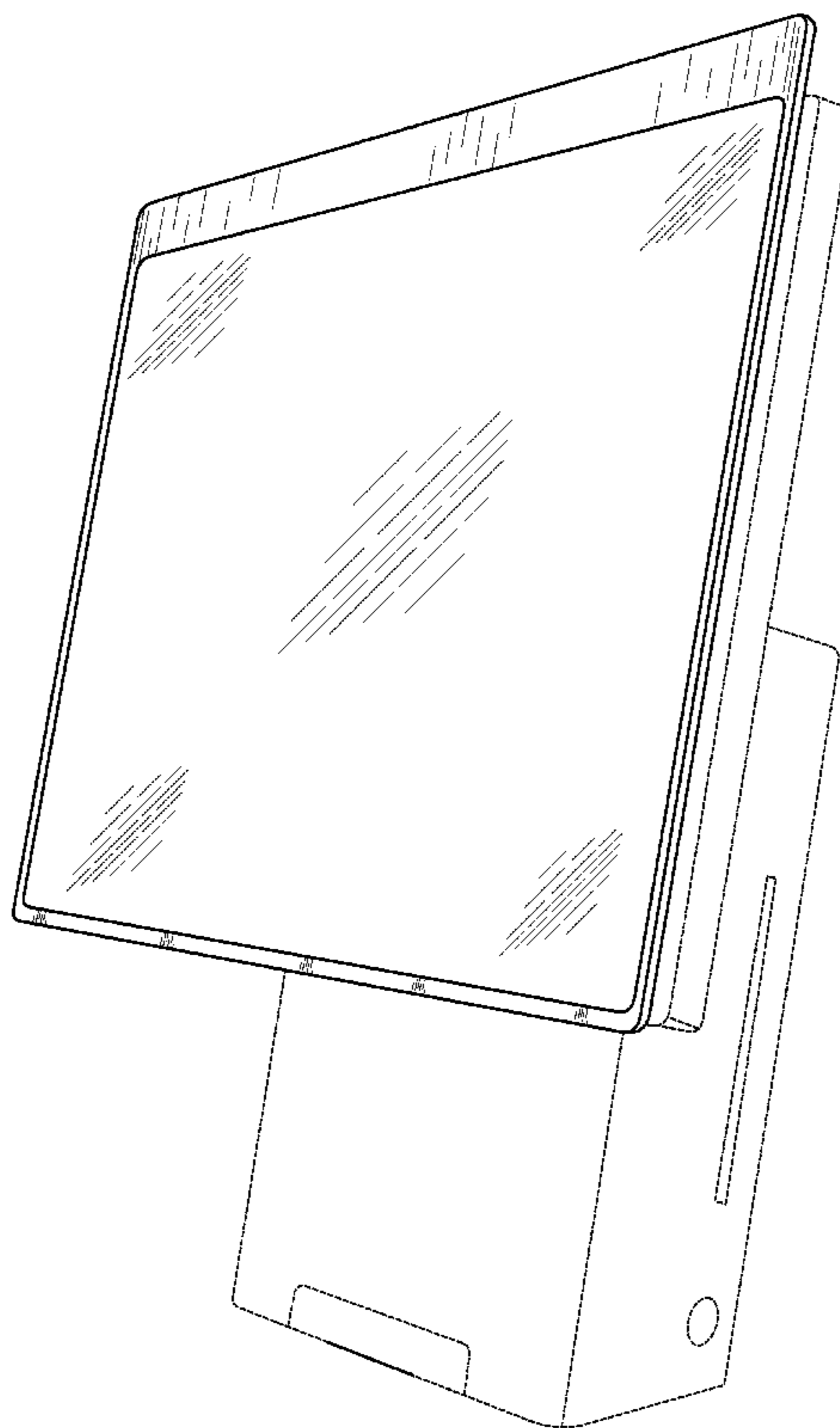
FIG. 5 is a back view thereof;

FIG. 6 is a top view thereof; and,

FIG. 7 is a bottom view thereof.

The broken line showing of the remainder of the monitor is
for illustrative purposes only and forms no part of the
claimed design.

1 Claim, 7 Drawing Sheets



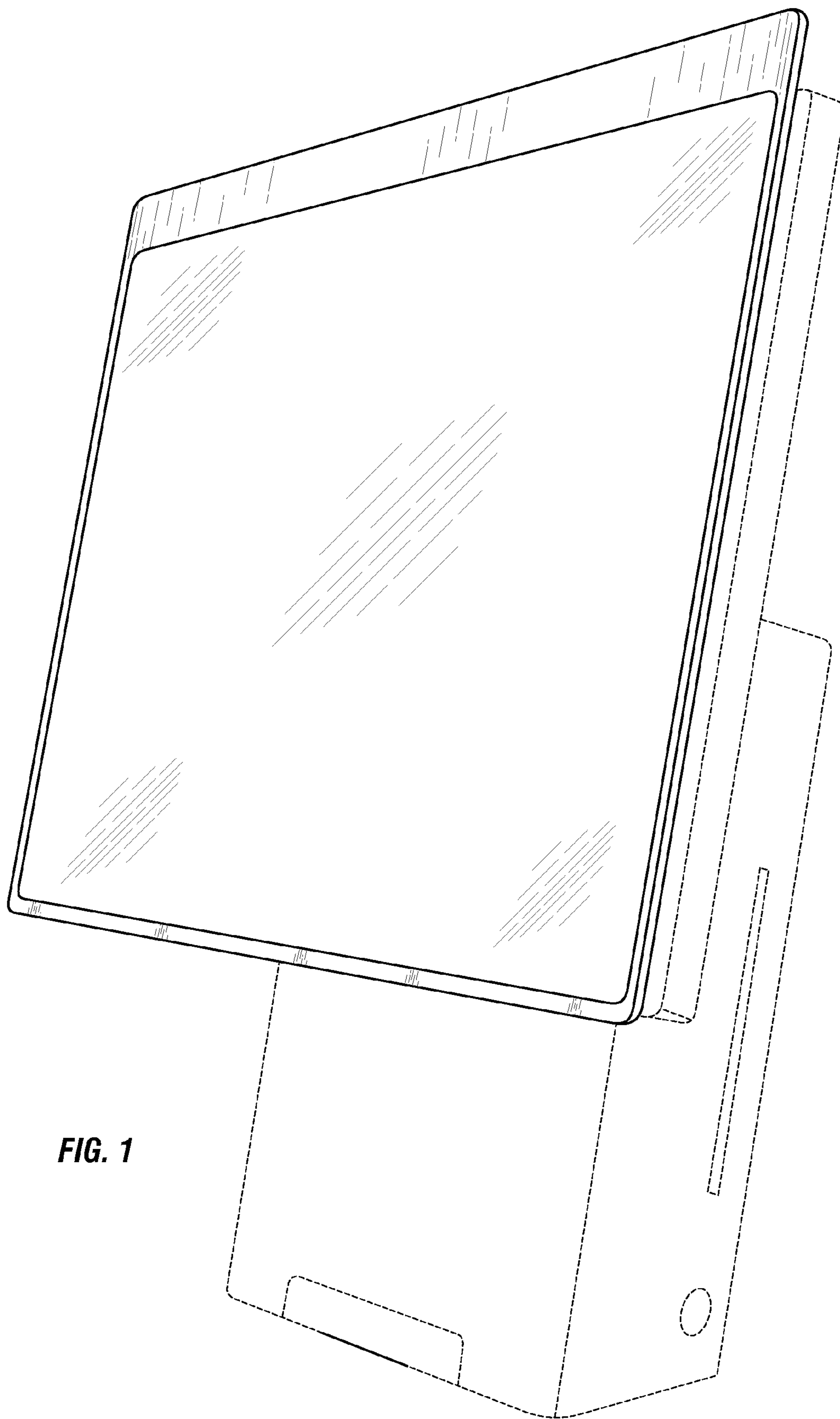


FIG. 1

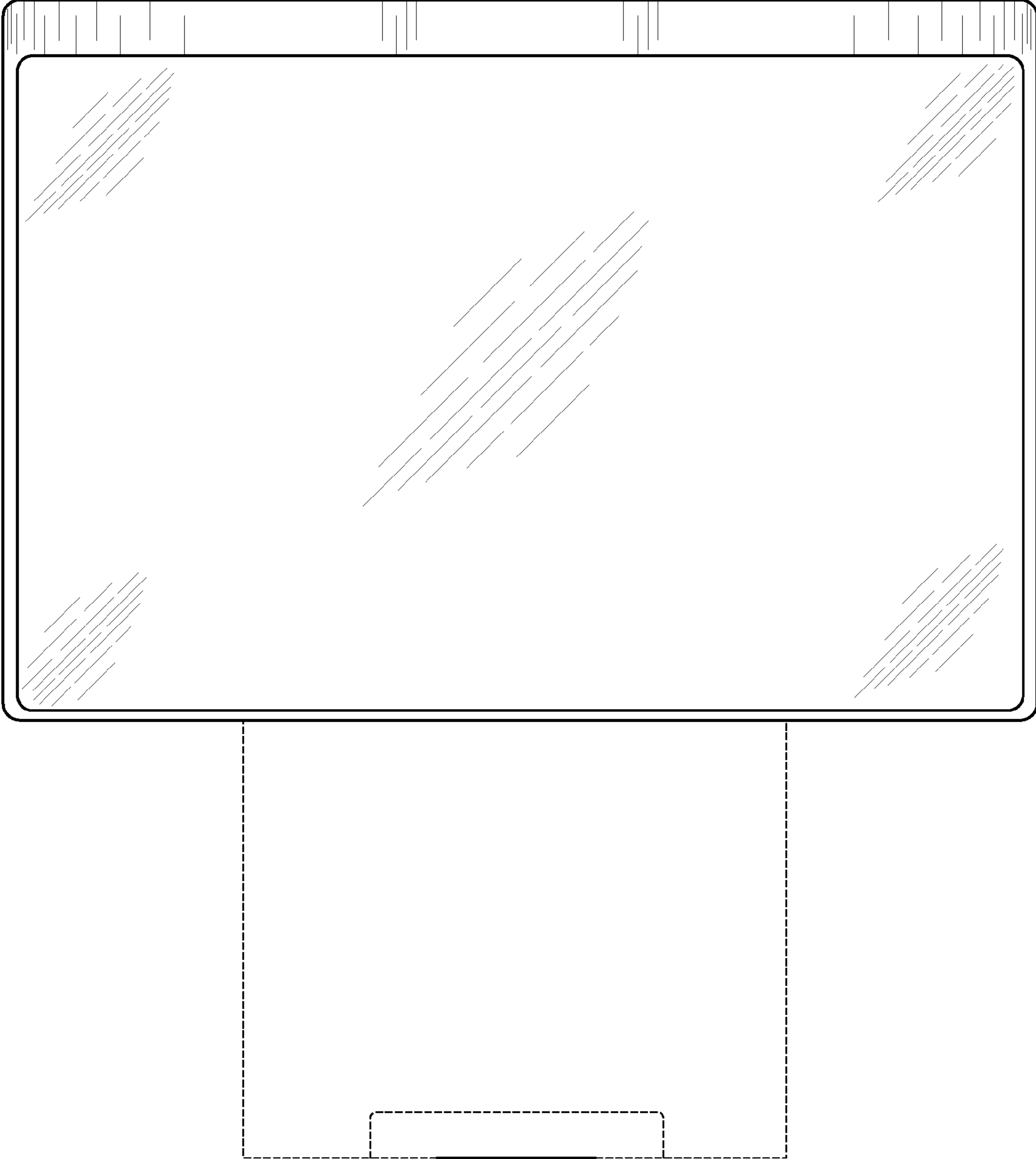


FIG. 2

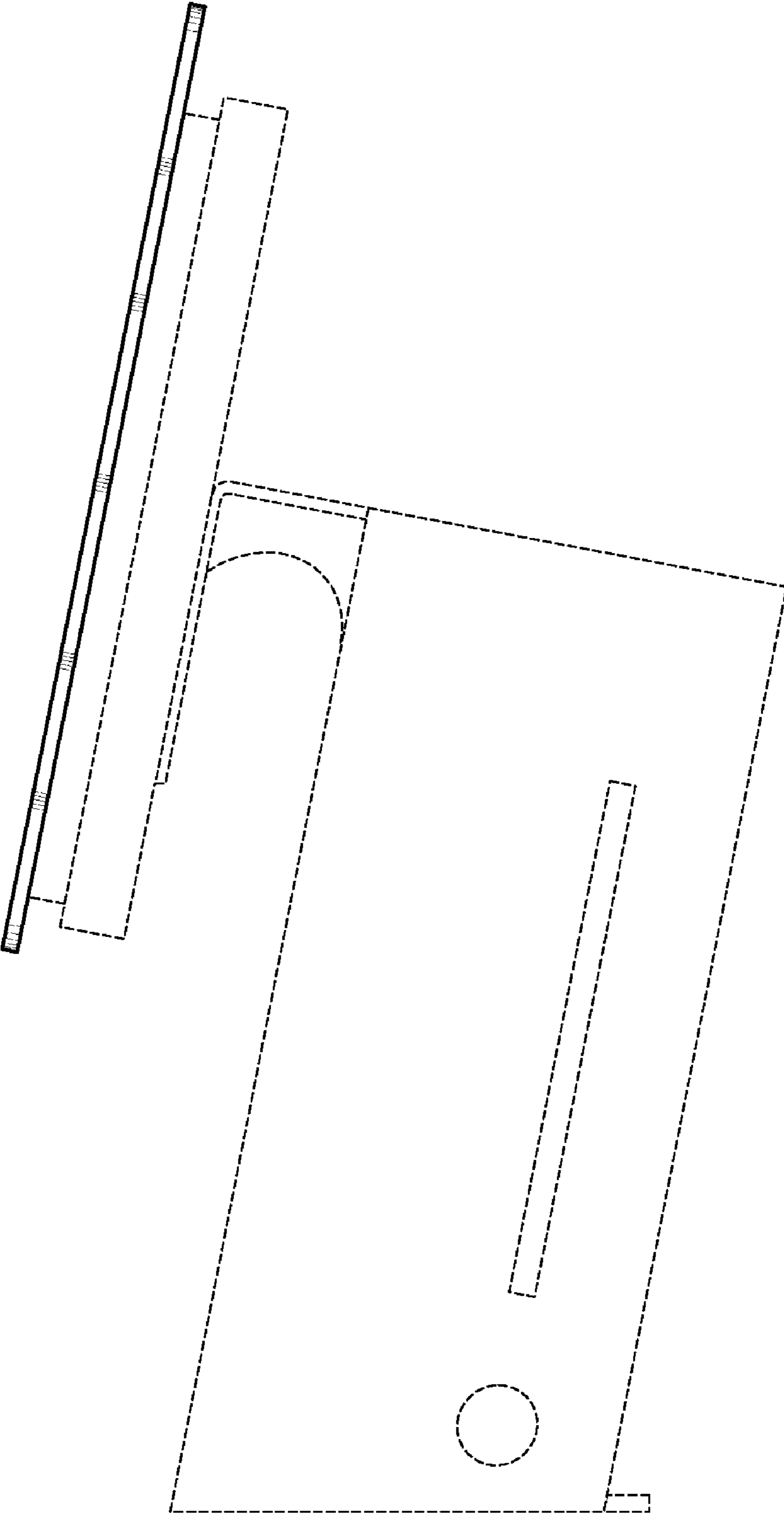


FIG. 3

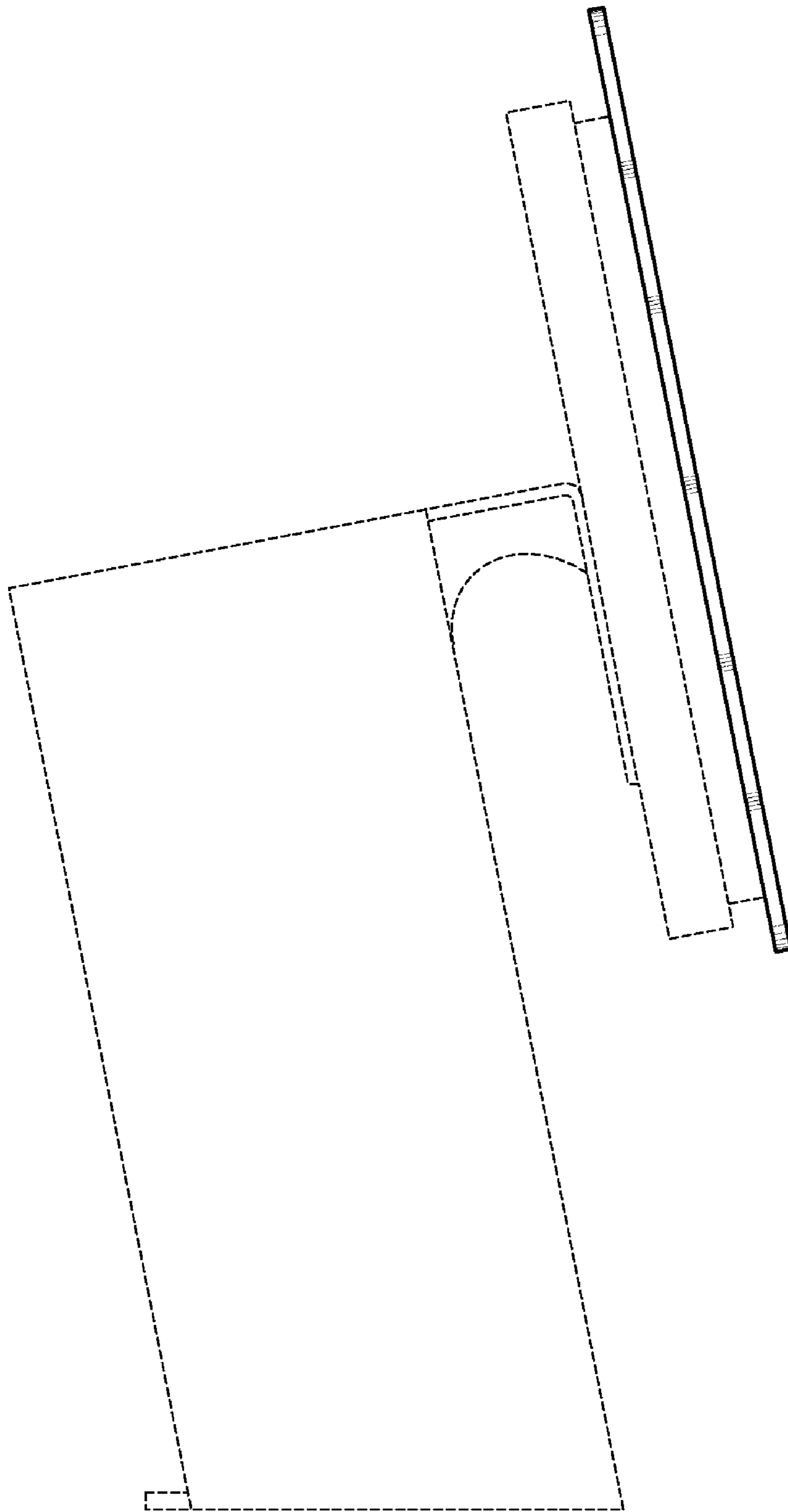


FIG. 4

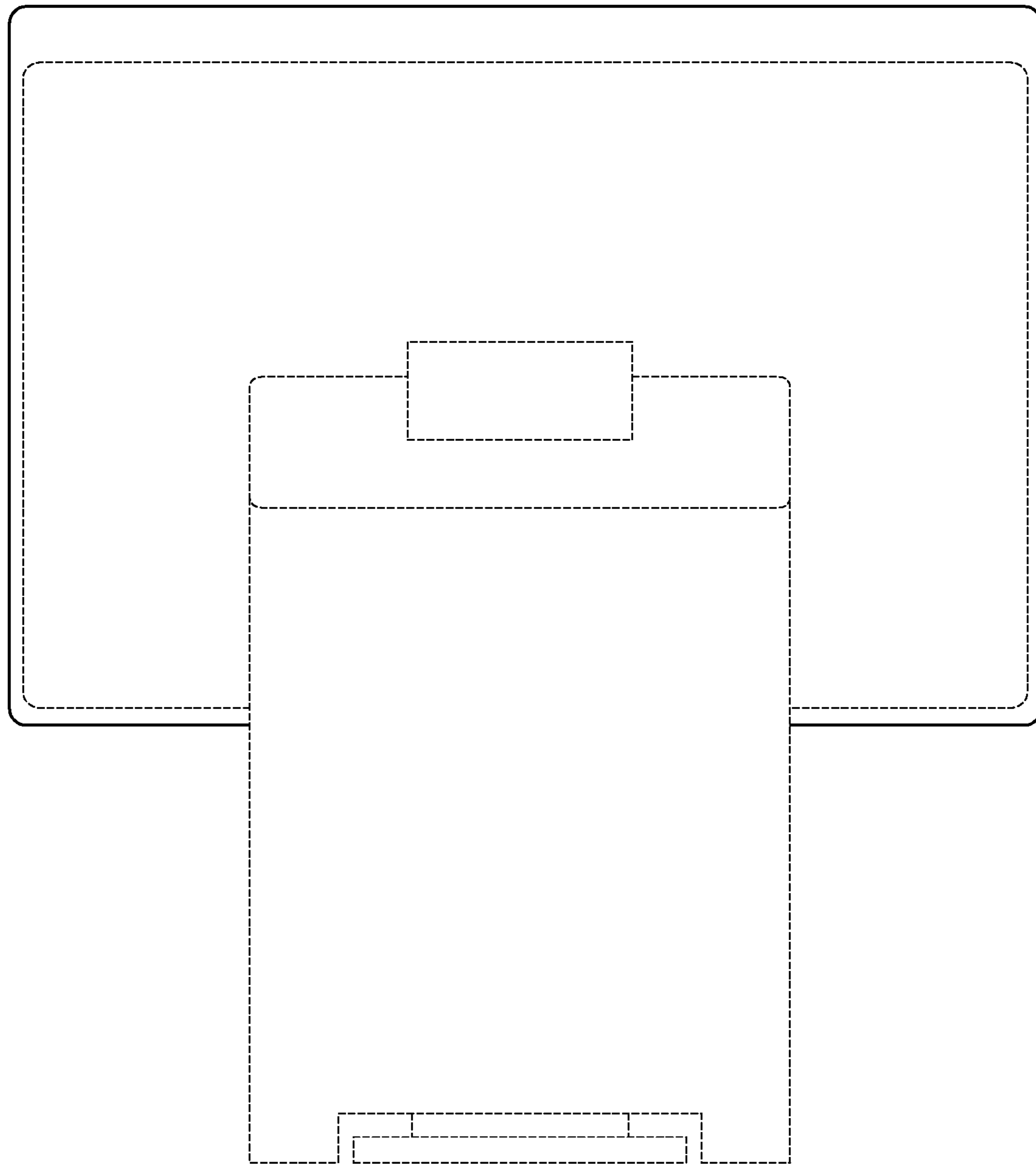


FIG. 5

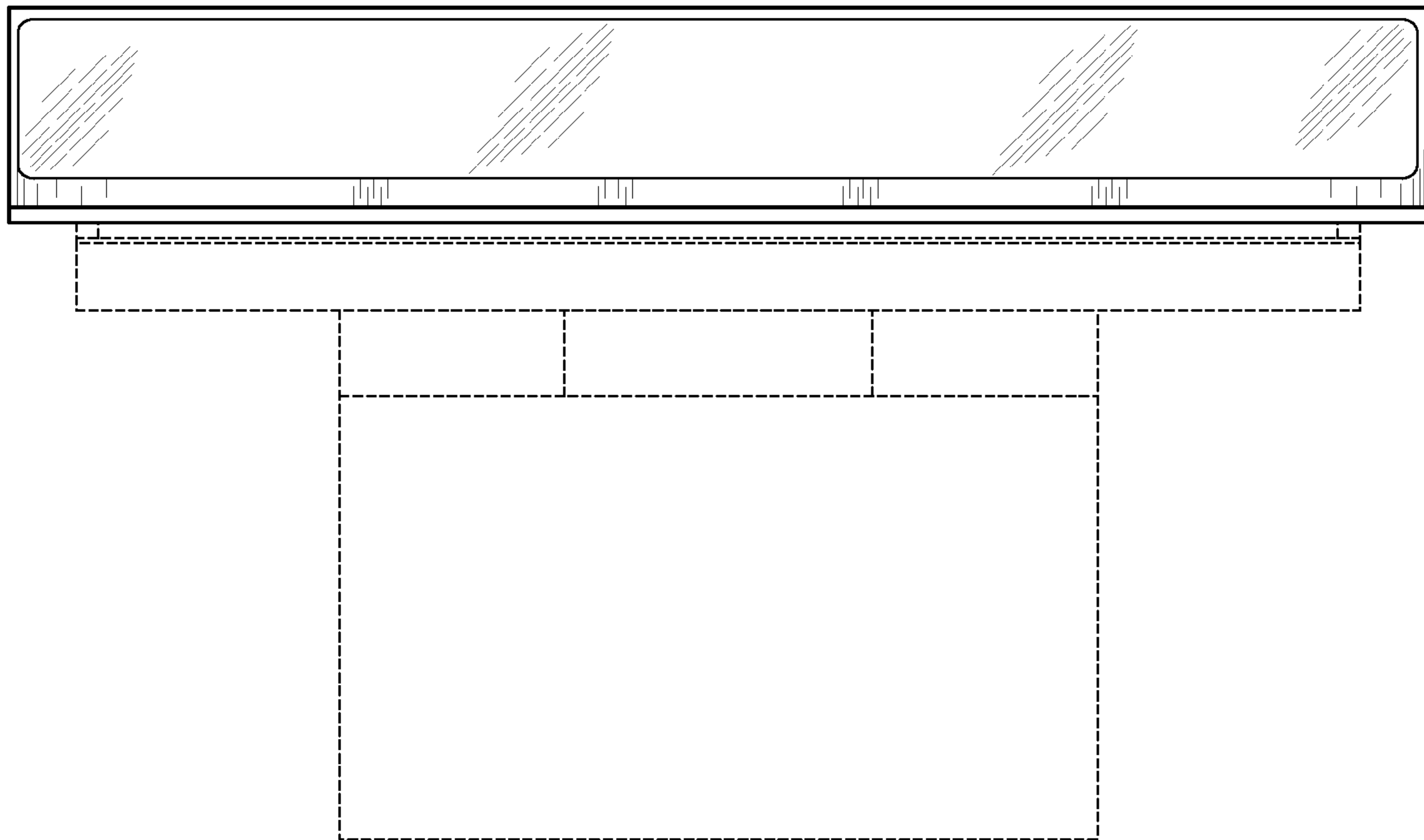


FIG. 6

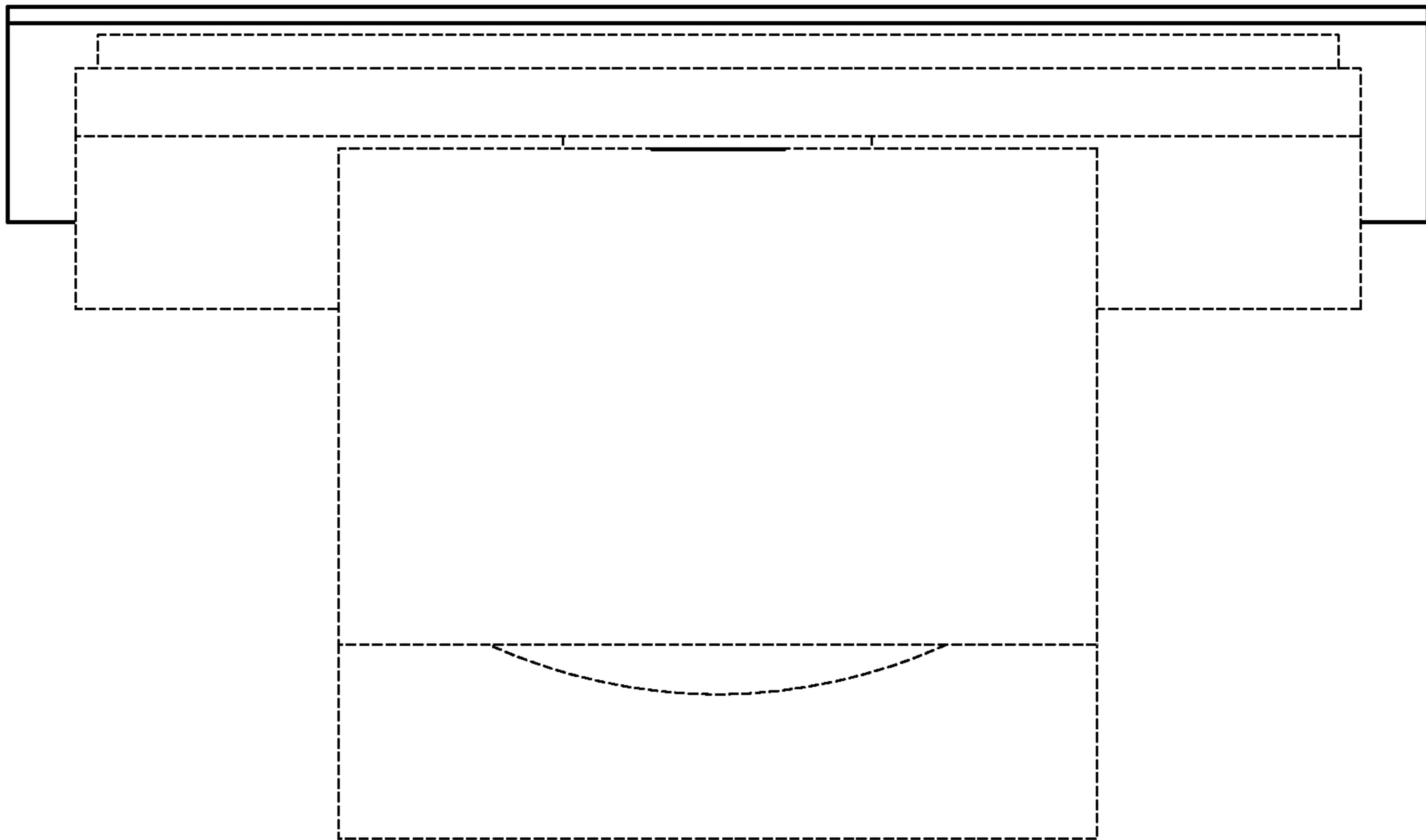


FIG. 7