



US00D550633S

(12) **United States Design Patent**
Gupta

(10) **Patent No.:** **US D550,633 S**

(45) **Date of Patent:** **** Sep. 11, 2007**

(54) **REMOTE CONTROL**

(75) **Inventor:** **Arvind Kumar Gupta**, Van Nuys, CA (US)

(73) **Assignee:** **Hillcrest Laboratories, Inc.**, Rockville, MD (US)

(**) **Term:** **14 Years**

(21) **Appl. No.:** **29/211,859**

(22) **Filed:** **Aug. 23, 2004**

(51) **LOC (8) Cl.** **13-03**

(52) **U.S. Cl.** **D13/168**

(58) **Field of Classification Search** 345/156,
345/168, 169; 348/734; 455/92, 95, 100,
455/128, 151.1–151.4, 325–355; 463/39;
700/17, 19, 20, 281; D13/168; D10/104,
D10/106; D14/218, 247; 340/825.22, 825.24,
340/825.25, 825.31, 825.36, 825.69, 825.71,
340/825.72; 341/20, 22, 23, 34, 173, 174,
341/176

See application file for complete search history.

(56) **References Cited**

U.S. PATENT DOCUMENTS

D274,048 S *	5/1984	Wong et al.	D10/106
D342,740 S	12/1993	Parker		
5,355,147 A	10/1994	Lear		
5,440,326 A	8/1995	Quinn		
D367,047 S	2/1996	Hood et al.		
5,506,605 A	4/1996	Paley		
D371,793 S *	7/1996	Patton	D14/218
D383,134 S	9/1997	Patton		
D385,539 S	10/1997	Taylor		
D410,232 S	5/1999	Yang		
D422,594 S	4/2000	Henderson et al.		
6,297,808 B1	10/2001	Yang		

D460,491 S *	7/2002	Meyer et al.	D21/324
D478,330 S	8/2003	Yang		
D478,571 S	8/2003	Solland		
6,661,669 B1 *	12/2003	Cho	361/752
D485,546 S	1/2004	Olson et al.		
D496,004 S *	9/2004	Borsboom	D13/168
D500,028 S	12/2004	Hoehn et al.		
6,967,625 B1 *	11/2005	Honda	343/771
D515,040 S *	2/2006	Jones et al.	D13/168
2003/0122698 A1 *	7/2003	Horie et al.	341/176
2003/0142065 A1	7/2003	Pahlavan		
2004/0268393 A1	12/2004	Hunleth		
2005/0243061 A1	11/2005	Liberty		
2005/0243062 A1	11/2005	Liberty		
2005/0253806 A1	11/2005	Liberty		
2006/0028446 A1	2/2006	Liberty		
2006/0092133 A1	5/2006	Touma et al.		

* cited by examiner

Primary Examiner—Selina Sikder
(74) *Attorney, Agent, or Firm*—Potomac Patent Group PLLC

(57) **CLAIM**

The ornamental design for a remote control, as shown.

DESCRIPTION

FIG. 1 is a front view of a remote control showing my design;

FIG. 2 is a rear view thereof;

FIG. 3 is a left side view thereof;

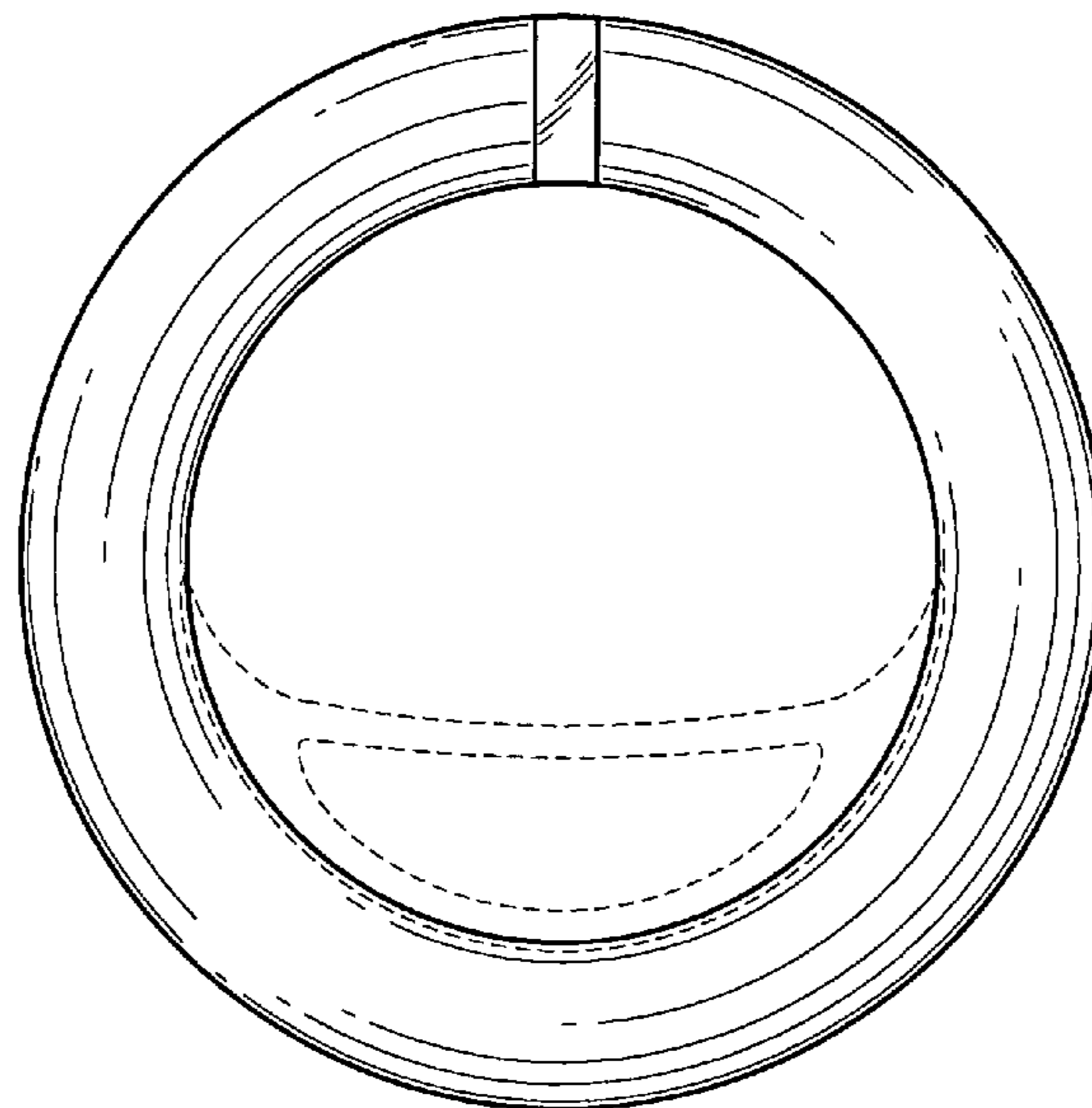
FIG. 4 is a right side view thereof;

FIG. 5 is a top view thereof; and,

FIG. 6 is a bottom view thereof.

The broken lines represent unclaimed subject matter.

1 Claim, 4 Drawing Sheets



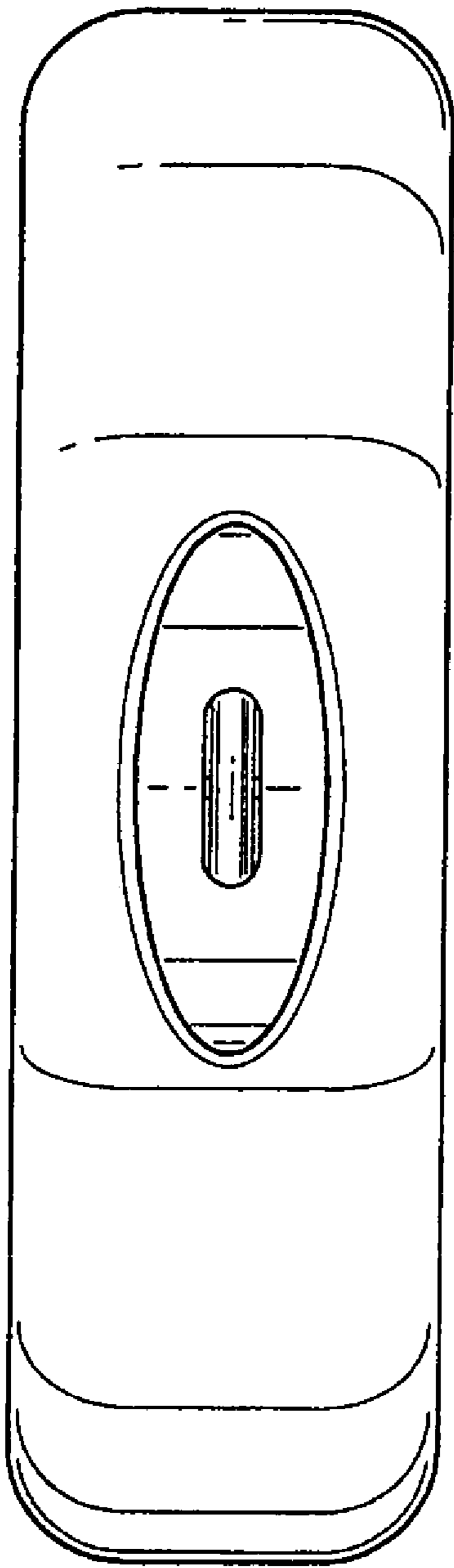


FIG. 1

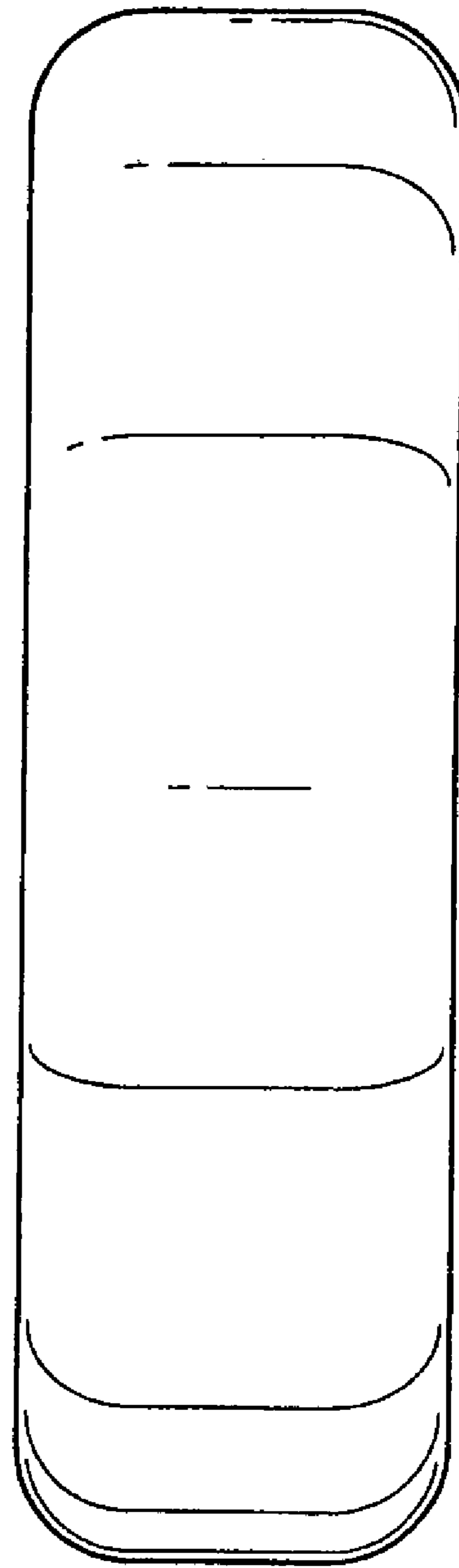


FIG. 2

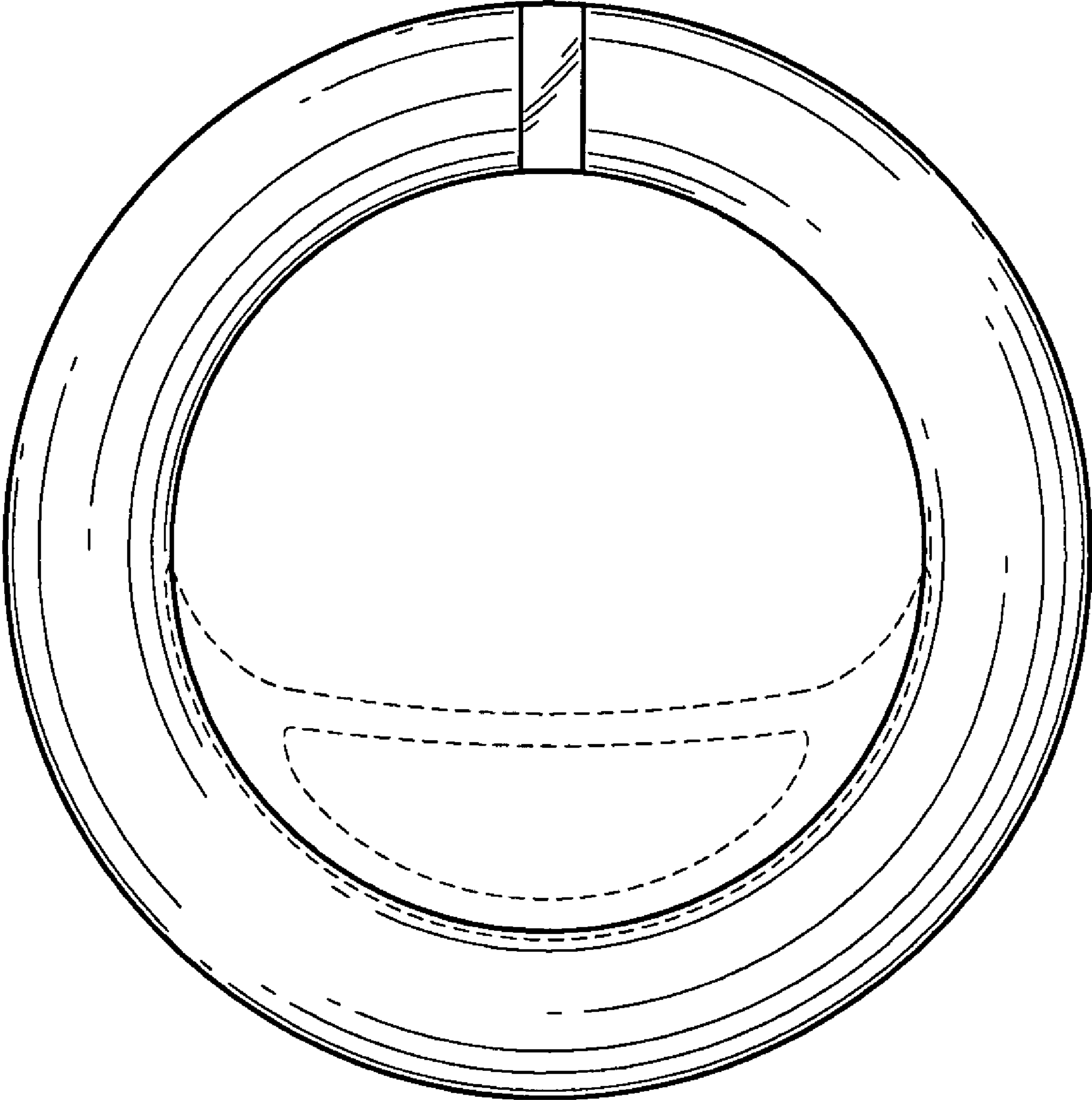


FIG. 3

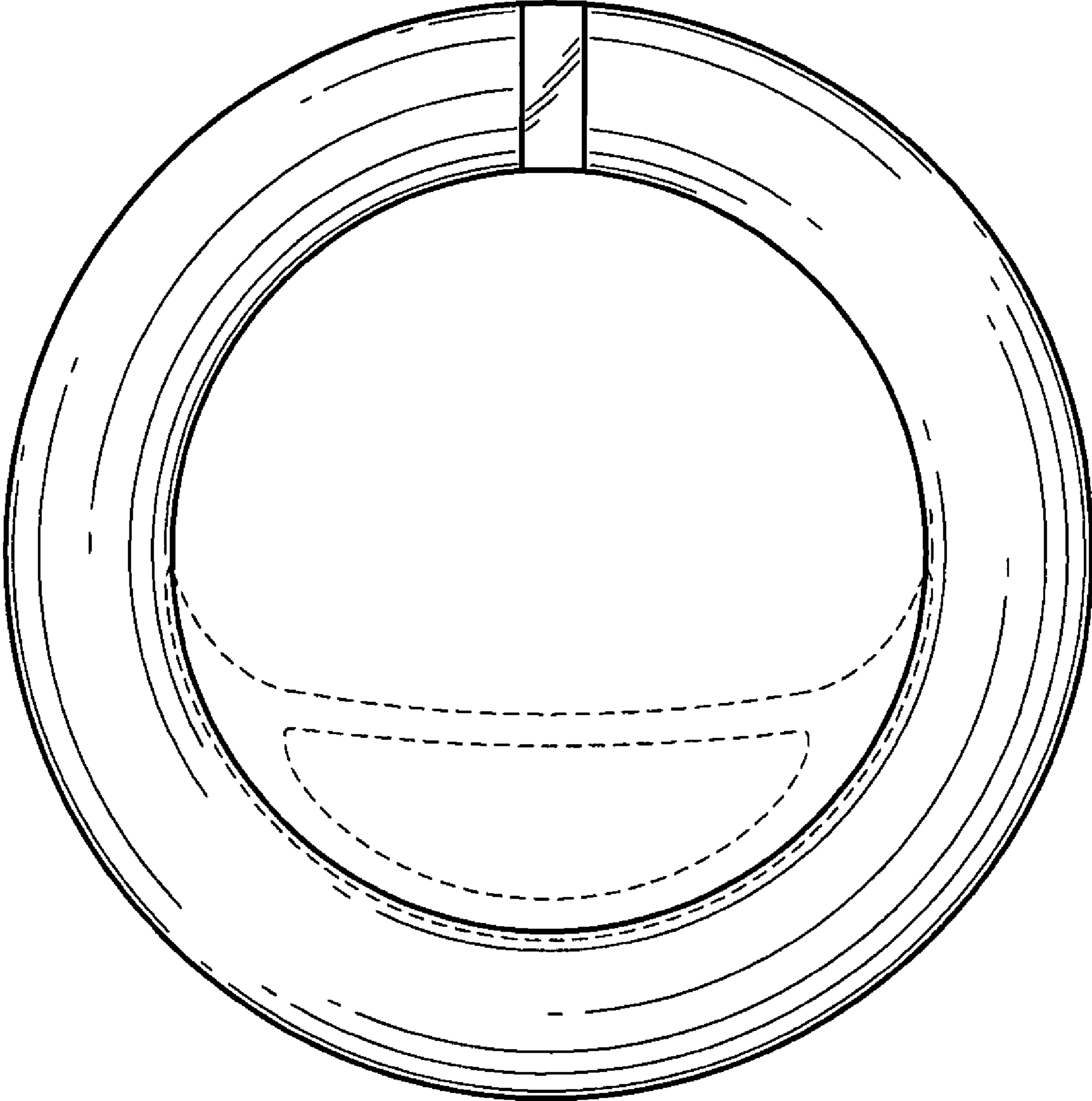


FIG. 4

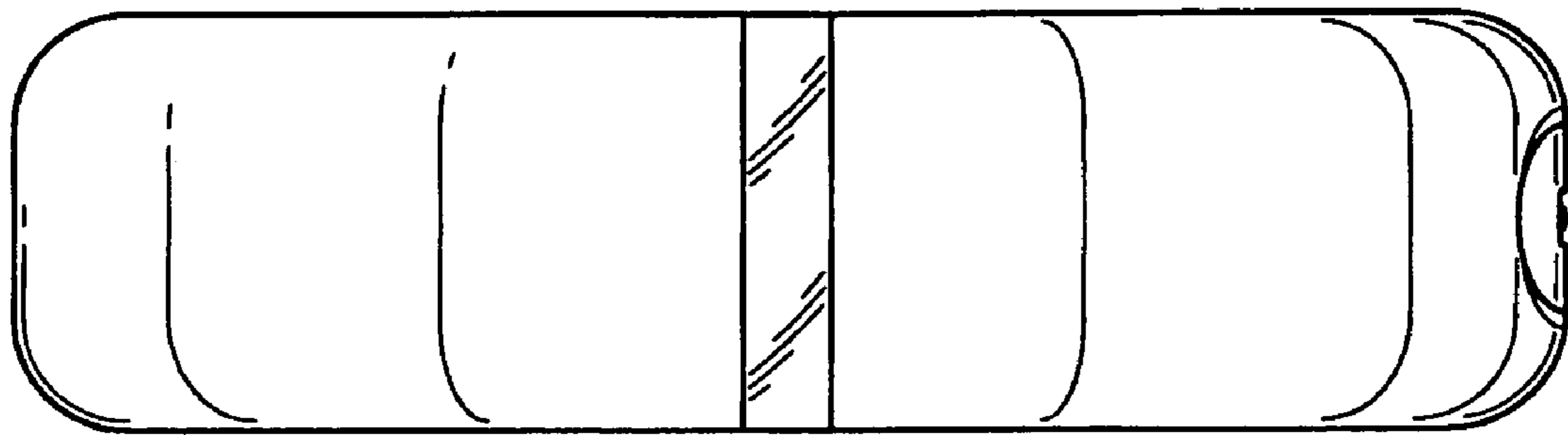


FIG. 5

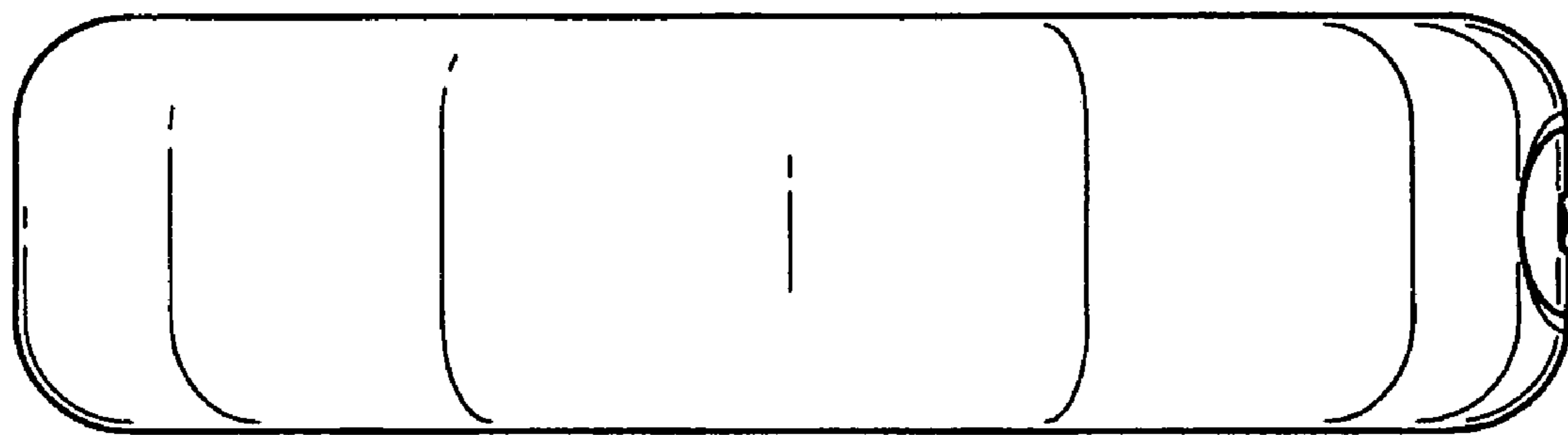


FIG. 6