



US00D550631S

(12) **United States Design Patent**  
**Murakami**

(10) **Patent No.:** **US D550,631 S**

(45) **Date of Patent:** **\*\* Sep. 11, 2007**

(54) **FUSE**

(75) **Inventor:** **Iwao Murakami**, Gifu-ken (JP)

(73) **Assignee:** **Pacific Engineering Corp.**, Gifu-ken (JP)

(\*\*) **Term:** **14 Years**

(21) **Appl. No.:** **29/246,262**

(22) **Filed:** **Mar. 28, 2006**

(30) **Foreign Application Priority Data**

Oct. 11, 2005 (JP) ..... 2005-029524

(51) **LOC (8) Cl.** ..... **13-03**

(52) **U.S. Cl.** ..... **D13/161**

(58) **Field of Classification Search** ..... D13/160,  
D13/161; 337/186, 262, 290, 295, 404;  
439/620.26-620.29

See application file for complete search history.

(56) **References Cited**

U.S. PATENT DOCUMENTS

- 4,544,907 A \* 10/1985 Takano ..... 337/262
- 4,622,534 A \* 11/1986 Bowman ..... 337/404
- D317,906 S \* 7/1991 Winter et al. .... D13/160
- D318,270 S \* 7/1991 Tsuji et al. .... D13/161
- D318,855 S \* 8/1991 Tsuji et al. .... D13/161
- D333,812 S \* 3/1993 Krasser ..... D13/160
- D340,914 S \* 11/1993 Krasser ..... D13/160
- 5,346,411 A \* 9/1994 Nikkinen ..... 439/620.26
- D368,072 S \* 3/1996 Hanazaki et al. .... D13/161
- D372,223 S \* 7/1996 Hanazaki et al. .... D13/161
- D373,570 S \* 9/1996 Kudo et al. .... D13/161
- D375,940 S \* 11/1996 Shimizu et al. .... D13/161
- D407,692 S \* 4/1999 Lin ..... D13/161

- D408,367 S \* 4/1999 Heidl ..... D13/161
- 5,977,859 A \* 11/1999 Kawamura et al. .... 337/295
- 6,064,293 A \* 5/2000 Jungst et al. .... 337/290
- D451,889 S \* 12/2001 Ohashi et al. .... D13/161
- D452,851 S \* 1/2002 Ohashi et al. .... D13/161
- D453,741 S \* 2/2002 Onoda et al. .... D13/161
- D454,842 S \* 3/2002 Ohashi et al. .... D13/161
- D461,169 S \* 8/2002 Onoda et al. .... D13/161
- D461,781 S \* 8/2002 Fukumori et al. .... D13/161
- 6,558,198 B2 \* 5/2003 Kobayashi et al. .... 439/620.29
- D518,792 S \* 4/2006 Ohta ..... D13/161
- 2003/0222752 A1 \* 12/2003 Ohashi et al. .... 337/186
- 2005/0206492 A1 \* 9/2005 Chao ..... 337/198

FOREIGN PATENT DOCUMENTS

JP 1113193 7/2001

\* cited by examiner

*Primary Examiner*—Stella Reid

*Assistant Examiner*—Thomas Johannes

(74) *Attorney, Agent, or Firm*—Synnestvedt & Lechner

(57) **CLAIM**

The ornamental design for a fuse, as shown and described.

**DESCRIPTION**

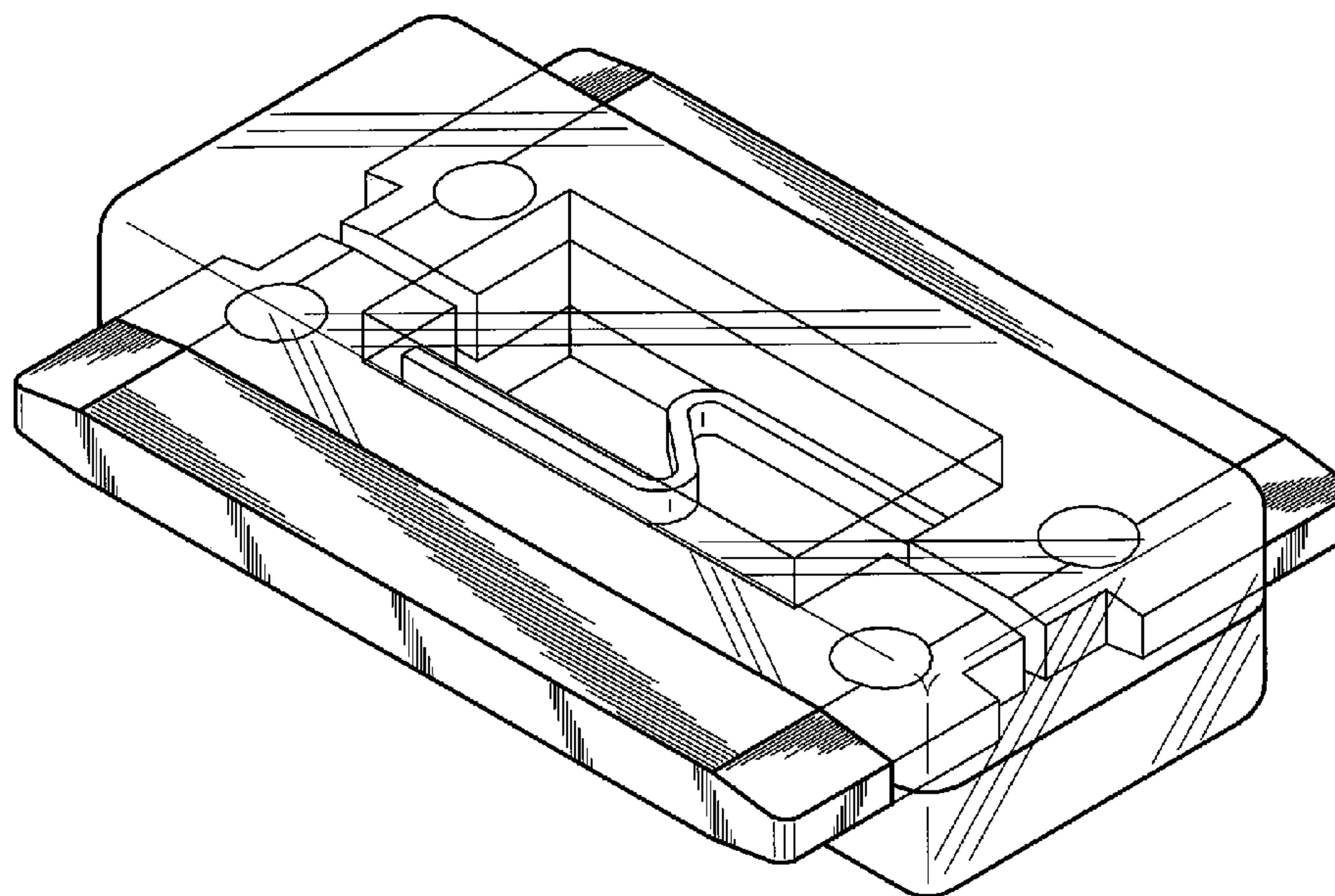
FIG. 1 is a perspective view of a fuse showing my new design;

FIG. 2 is a front view thereof, the rear view being identical to FIG. 2;

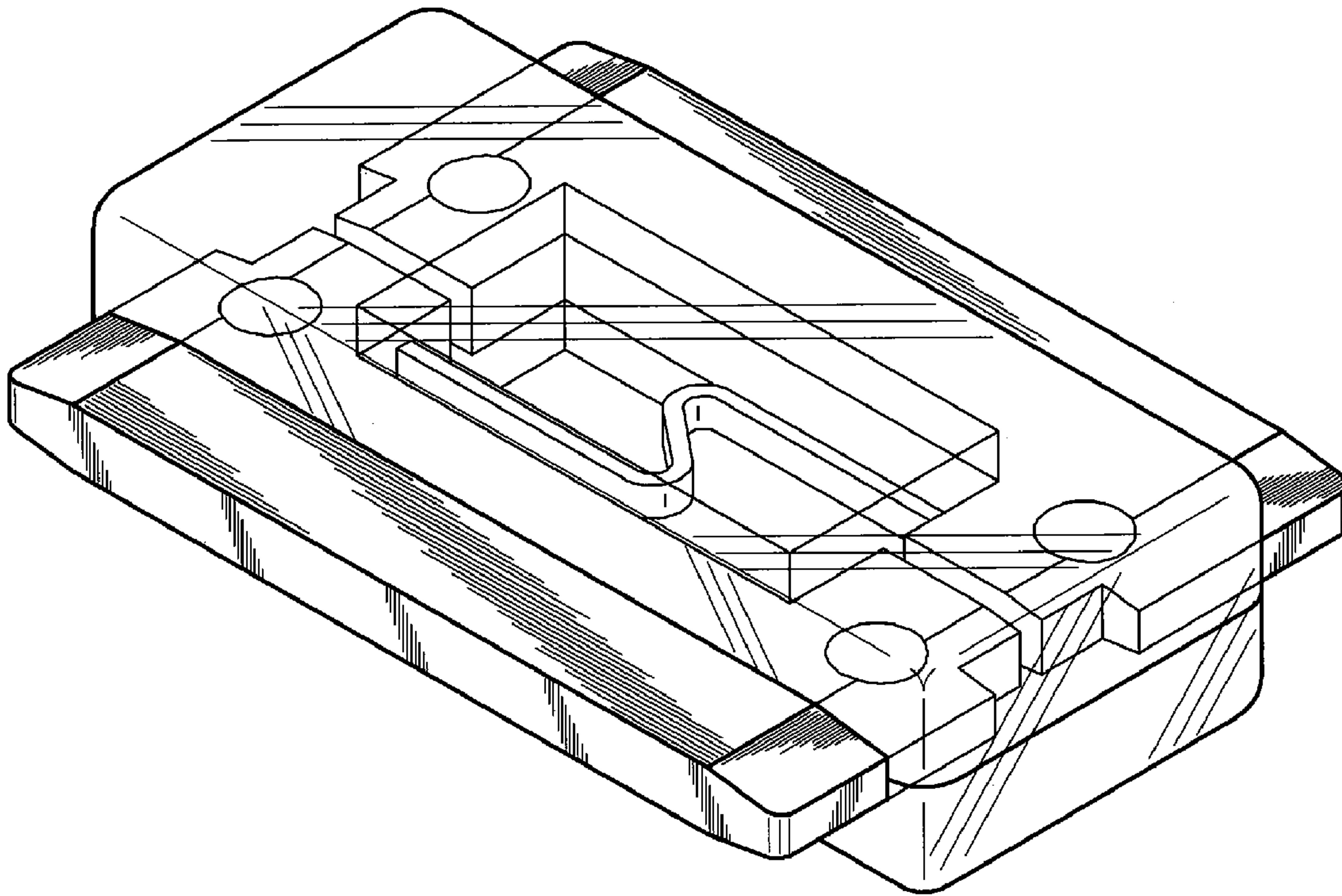
FIG. 3 is a top plan view thereof, the bottom plan view being a mirror image of FIG. 3; and,

FIG. 4 is a right side elevational view thereof, the left side being identical to FIG. 4.

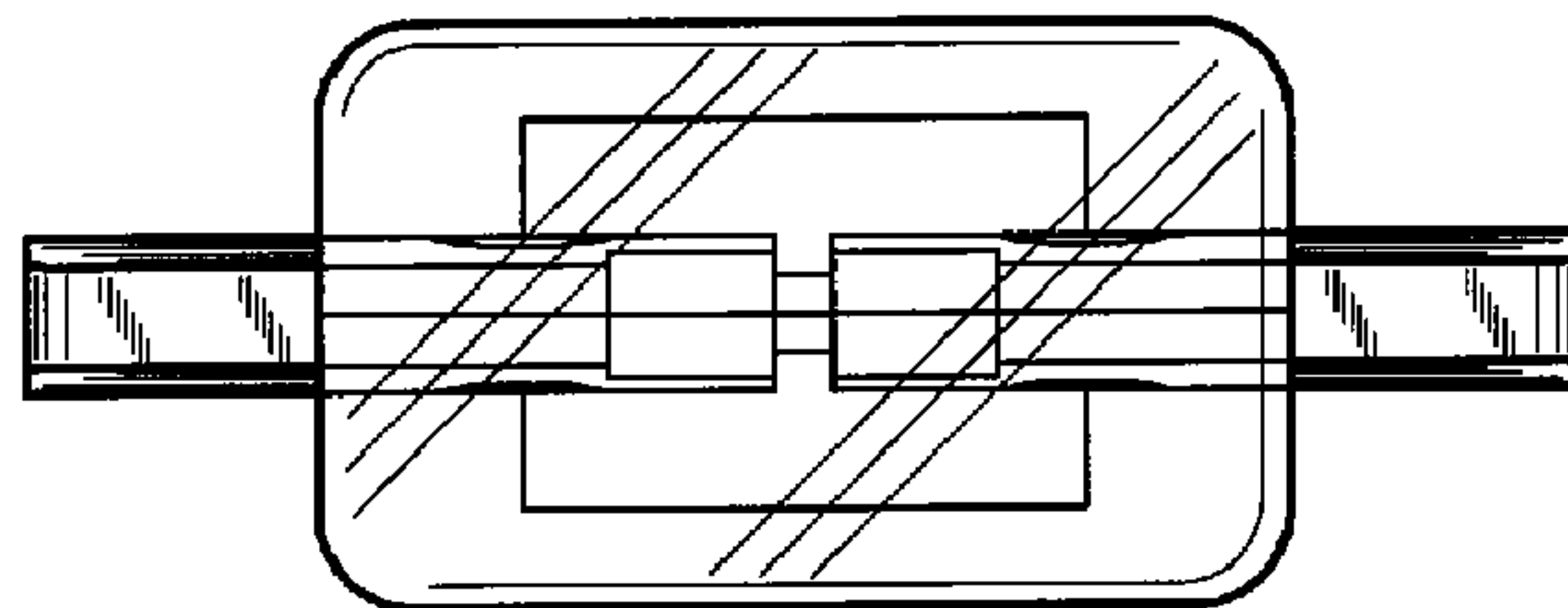
**1 Claim, 2 Drawing Sheets**



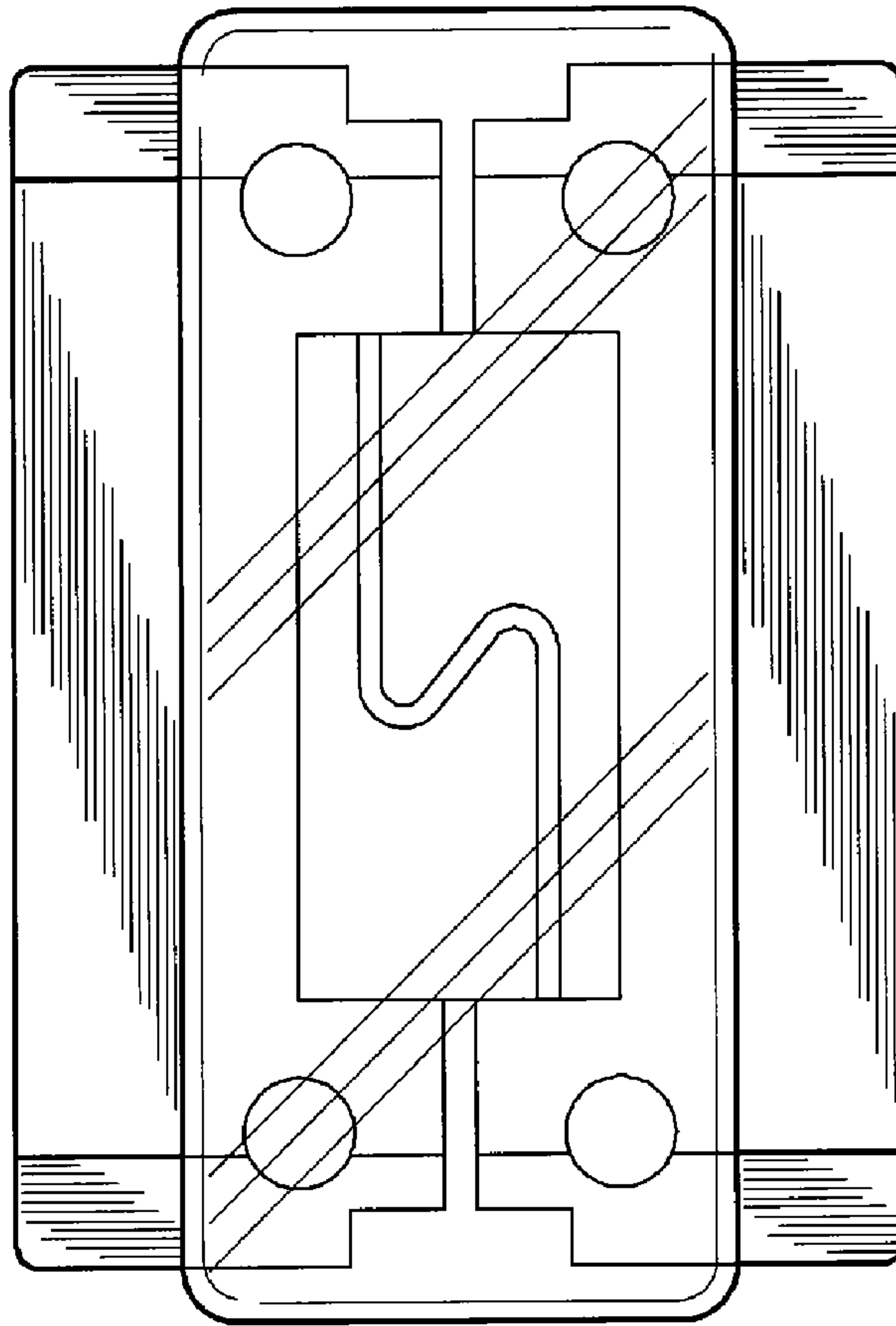
**FIG. 1**



**FIG. 2**



**FIG. 3**



**FIG. 4**

