



US00D550630S

(12) **United States Design Patent** (10) **Patent No.:** **US D550,630 S**
Wang et al. (45) **Date of Patent:** **** Sep. 11, 2007**

(54) **MINIATURE CIRCUIT BREAKER**
(75) Inventors: **Xianfeng Wang**, Yueqing (CN); **Gang Yan**, Yueqing (CN); **Liming Lin**, Yueqing (CN)
(73) Assignee: **Chint Group Corporation**, Zhejiang Province (CN)
(**) Term: **14 Years**
(21) Appl. No.: **29/269,325**
(22) Filed: **Nov. 29, 2006**
(30) **Foreign Application Priority Data**
Jun. 3, 2006 (CN) 2006 3 0110967
(51) **LOC (8) Cl.** **13-03**
(52) **U.S. Cl.** **D13/160**
(58) **Field of Classification Search** D13/138.2, D13/158, 159, 160, 174; D14/140.2; 200/294, 200/400, 401; 355/13, 16, 18, 202
See application file for complete search history.

D307,742 S * 5/1990 Serr et al. D13/138.2
D313,397 S * 1/1991 Willcox D13/158
D316,403 S * 4/1991 Mercer et al. D13/160
D320,386 S * 10/1991 Saunders et al. D13/160
D320,596 S * 10/1991 Sdunek D13/174
D320,783 S * 10/1991 Sharp et al. D13/160
D320,784 S * 10/1991 Sharp et al. D13/160
D325,376 S * 4/1992 Krasser D13/160
D325,725 S * 4/1992 Yamagata et al. D13/160
5,196,815 A * 3/1993 Chien et al. 335/16
5,302,787 A * 4/1994 Edds et al. 200/401
5,436,605 A * 7/1995 Mrenna 335/202
5,510,759 A * 4/1996 Gula et al. 335/18
D409,154 S * 5/1999 Chudoba et al. D13/160
6,084,191 A * 7/2000 Kataya et al. 200/401
6,104,265 A * 8/2000 Maloney et al. 335/13
6,292,076 B1 * 9/2001 DeGrazia et al. 335/202
D454,119 S * 3/2002 Winkler D13/158
D535,626 S * 1/2007 Azzola et al. D13/160
2007/0034495 A1 * 2/2007 Christmann et al. 200/400

* cited by examiner

Primary Examiner—Stella Reid
Assistant Examiner—Thomas Johannes
(74) *Attorney, Agent, or Firm*—Jacobson Holman PLLC

(56) **References Cited**

U.S. PATENT DOCUMENTS

D163,736 S * 6/1951 Bangert D13/160
D192,322 S * 3/1962 Dabney D13/160
D203,271 S * 12/1965 Camp D13/160
D204,386 S * 4/1966 Davis et al. D13/160
D206,006 S * 10/1966 Camp et al. D13/160
D209,209 S * 11/1967 Gryctko et al. D13/160
D221,861 S * 9/1971 Davis D13/160
D230,275 S * 2/1974 Mune D13/160
D233,241 S * 10/1974 Mune D13/160
D239,628 S * 4/1976 Nicol D13/160
D253,341 S * 11/1979 Barta, Jr. D13/160
D254,667 S * 4/1980 Sare D13/160
4,270,035 A * 5/1981 Richter, Sr. 200/294
4,276,457 A * 6/1981 Myers 200/401
4,468,547 A * 8/1984 Belttary 200/294
D281,156 S * 10/1985 Harper D13/160

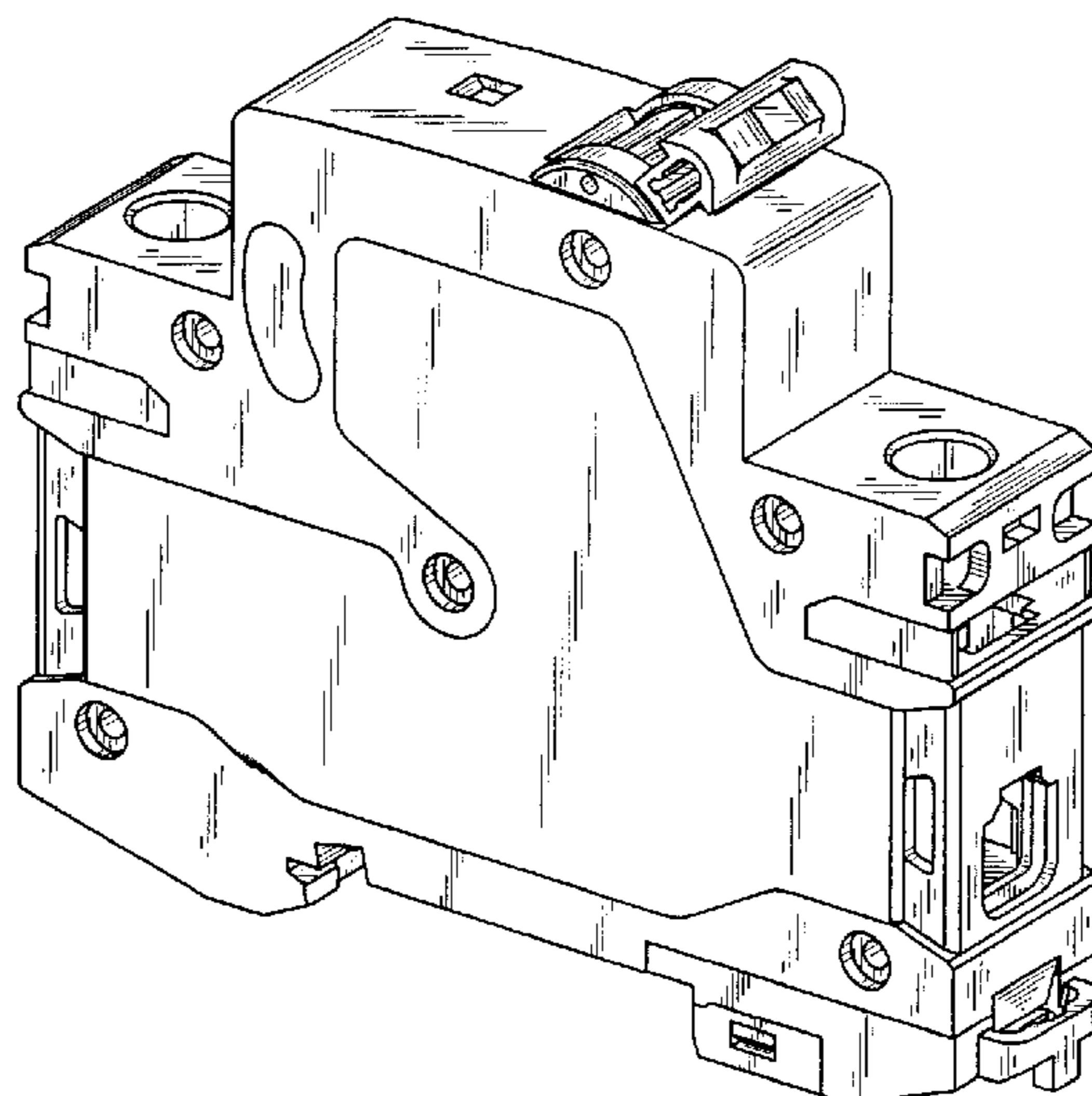
(57) **CLAIM**

The ornamental design for a miniature circuit breaker, as shown and described.

DESCRIPTION

FIG. 1 is a front perspective view of a miniature circuit breaker, showing our new design;
FIG. 2 is a front view thereof;
FIG. 3 is a rear view thereof;
FIG. 4 is a bottom view thereof;
FIG. 5 is a top view thereof;
FIG. 6 is a right side view thereof; and,
FIG. 7 is a left side view thereof.

1 Claim, 4 Drawing Sheets



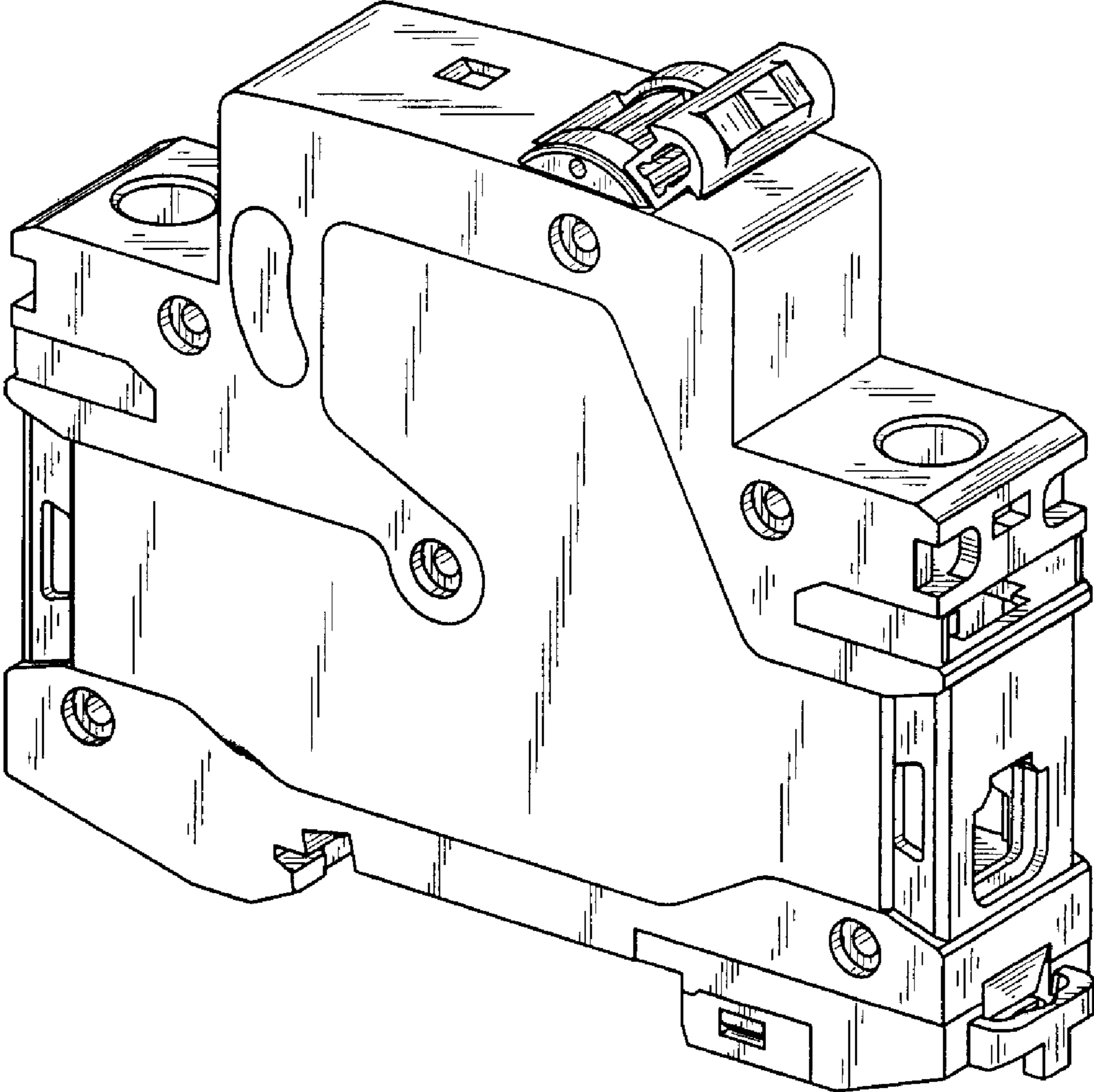


FIG. 1

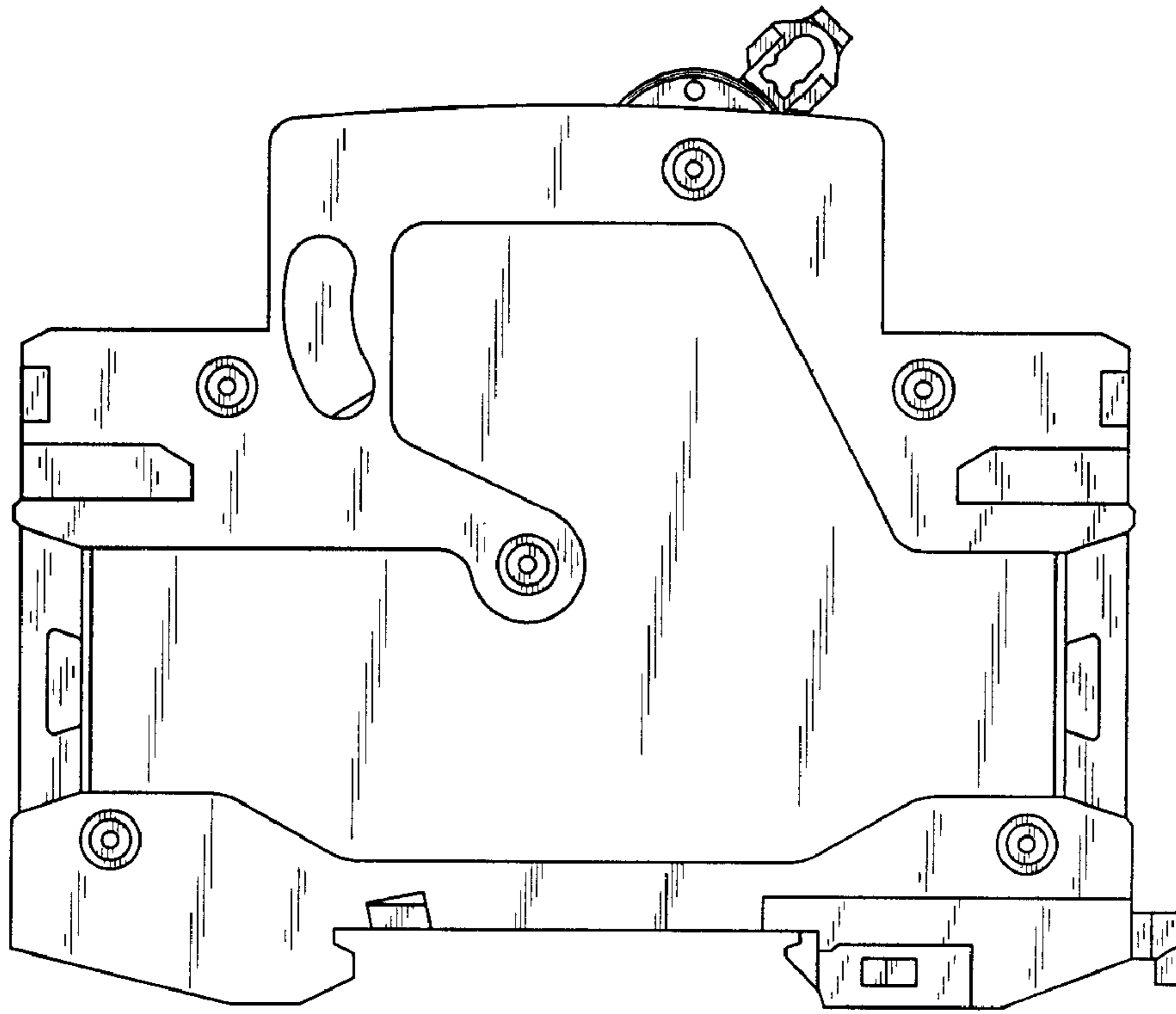


FIG. 2

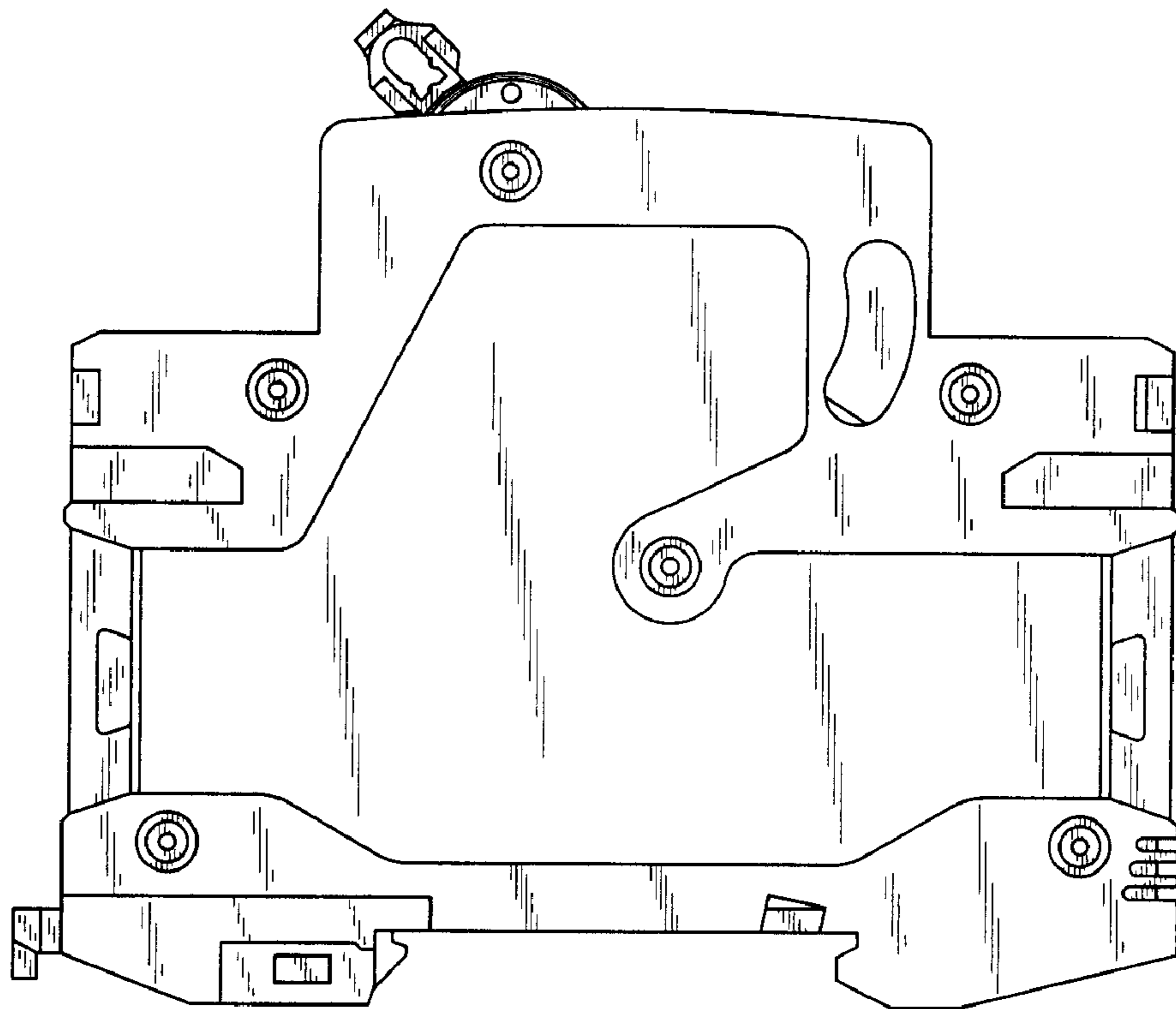


FIG. 3

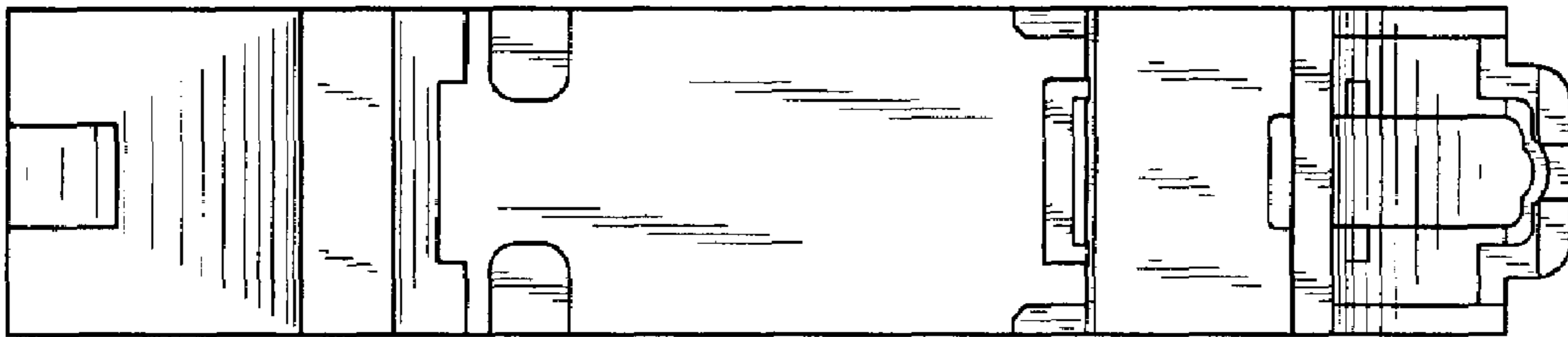


FIG. 4

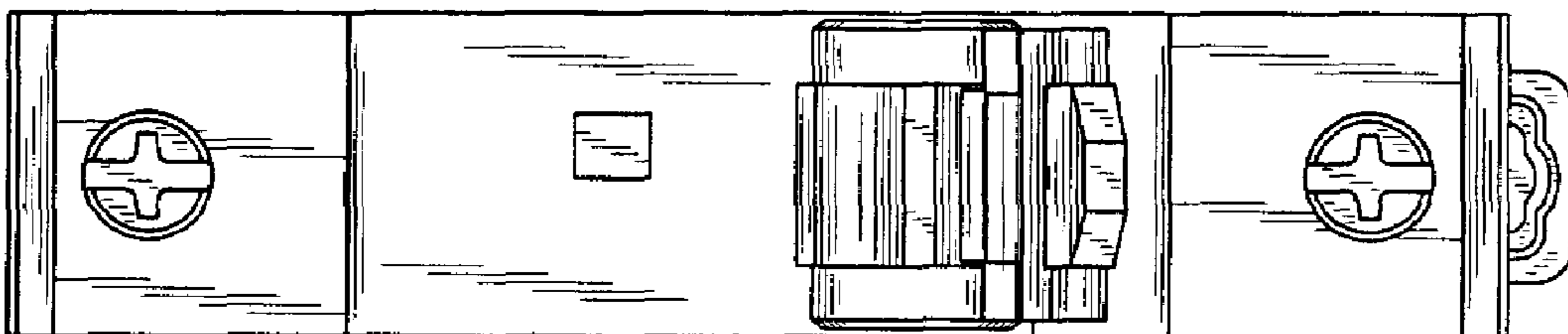


FIG. 5

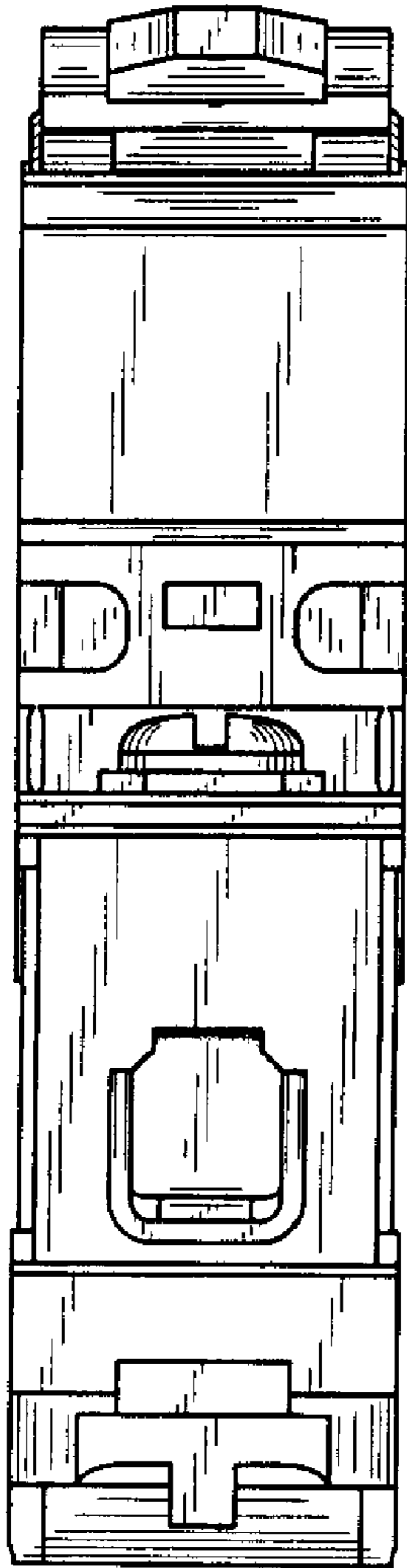


FIG. 6

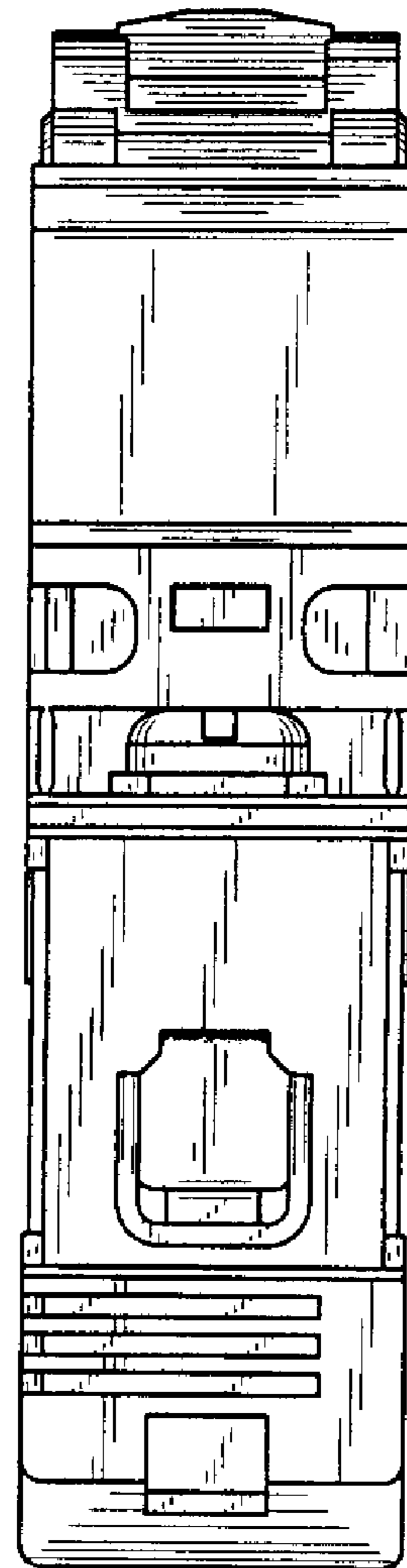


FIG. 7